



US00D565933S

(12) **United States Design Patent**
Berry et al.

(10) **Patent No.:** **US D565,933 S**

(45) **Date of Patent:** **** Apr. 8, 2008**

(54) **BRACKET**

(75) Inventors: **Paul Armstrong Berry**, Berowra Heights (AU); **Murray James Clarke**, Drummoyne (AU); **Stephen John Celati**, Concord West (AU)

(73) Assignee: **Dematic Pty Ltd**, Belrose (AU)

(**) Term: **14 Years**

(21) Appl. No.: **29/269,222**

(22) Filed: **Nov. 22, 2006**

(30) **Foreign Application Priority Data**

May 26, 2006 (AU) 12334/06

(51) **LOC (8) Cl.** **08-05**

(52) **U.S. Cl.** **D8/354**

(58) **Field of Classification Search** D8/354,
D8/349, 363, 380-381; 248/235, 237, 245,
248/247, 250

See application file for complete search history.

(56) **References Cited**

U.S. PATENT DOCUMENTS

D389,729 S * 1/1998 Boeshart D8/380

D408,722 S * 4/1999 Sartini D8/363

* cited by examiner

Primary Examiner—Holly H. Baynham

(74) *Attorney, Agent, or Firm*—The Webb Law Firm

(57) **CLAIM**

The ornamental design for a bracket, as shown and described.

DESCRIPTION

FIG. 1 is a rear perspective view of a bracket in accordance with the present invention;

FIG. 2 is a front perspective view thereof;

FIG. 3 is a rear view thereof;

FIG. 4 is a front view thereof;

FIG. 5 is a right side view thereof;

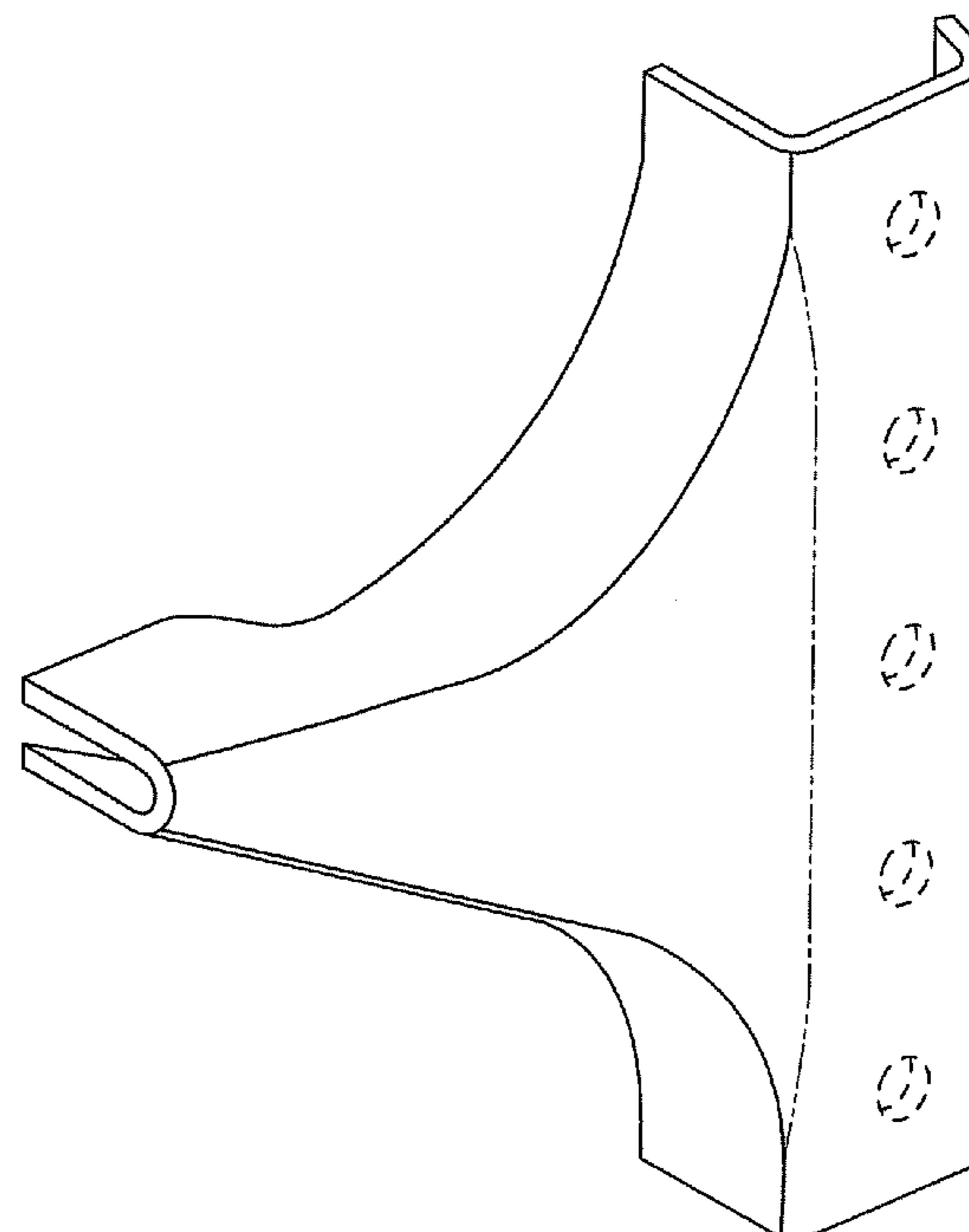
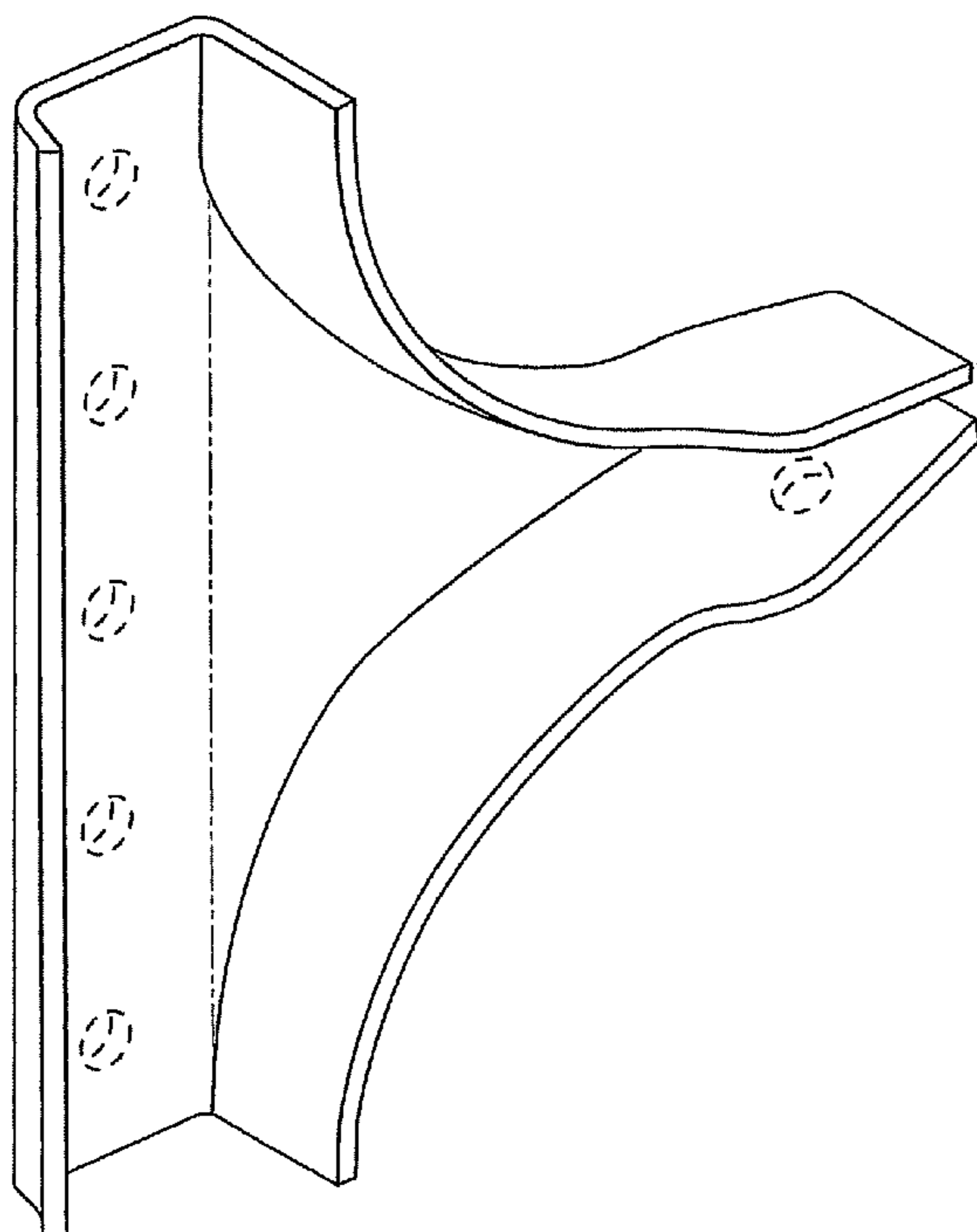
FIG. 6 is a left side view thereof;

FIG. 7 is a bottom view thereof as taken from FIG. 1; and,

FIG. 8 is a top view thereof as taken from FIG. 2.

The broken lines showing are included for the purpose of illustrating environment and forms no part of the claimed design.

1 Claim, 5 Drawing Sheets



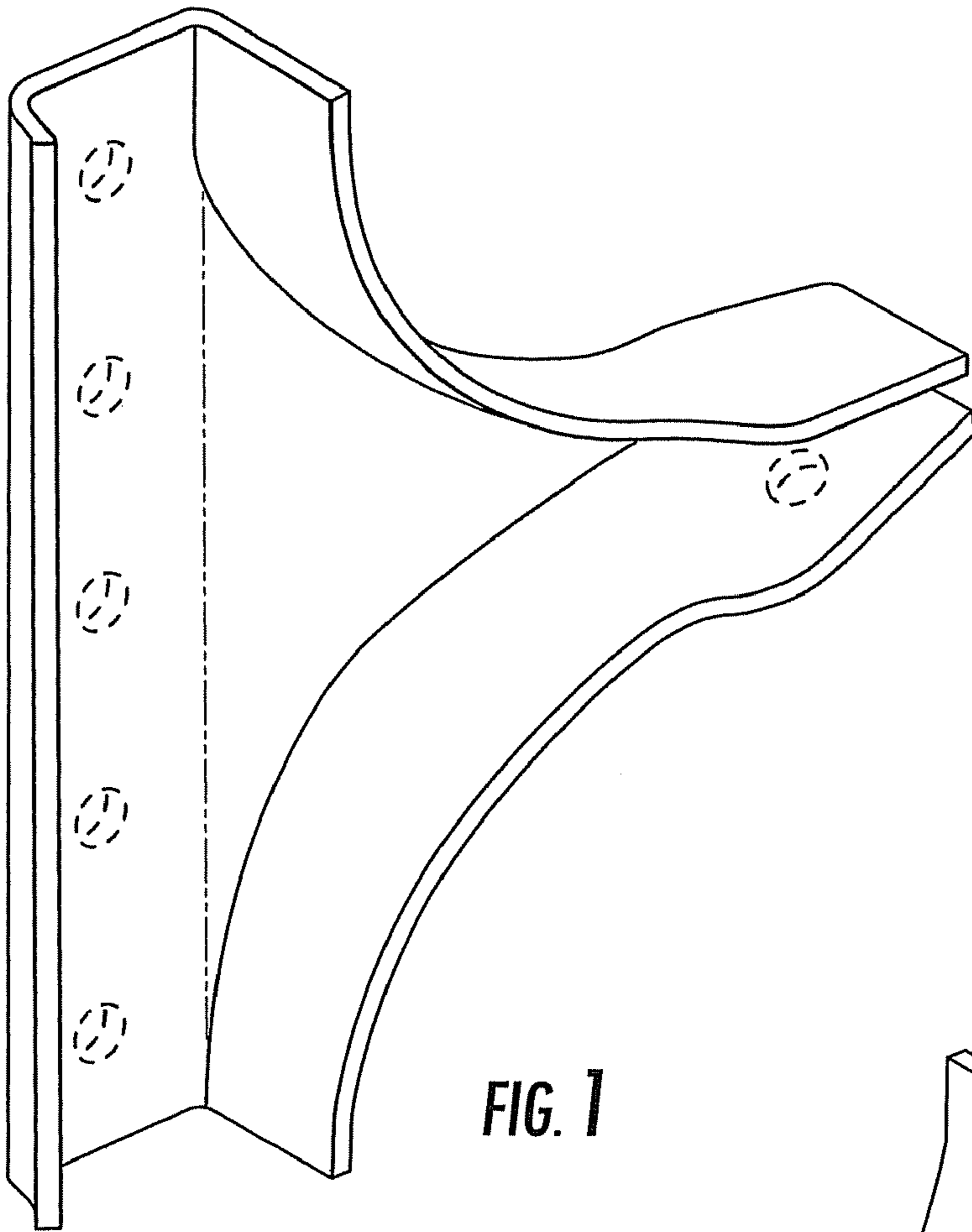


FIG. 1

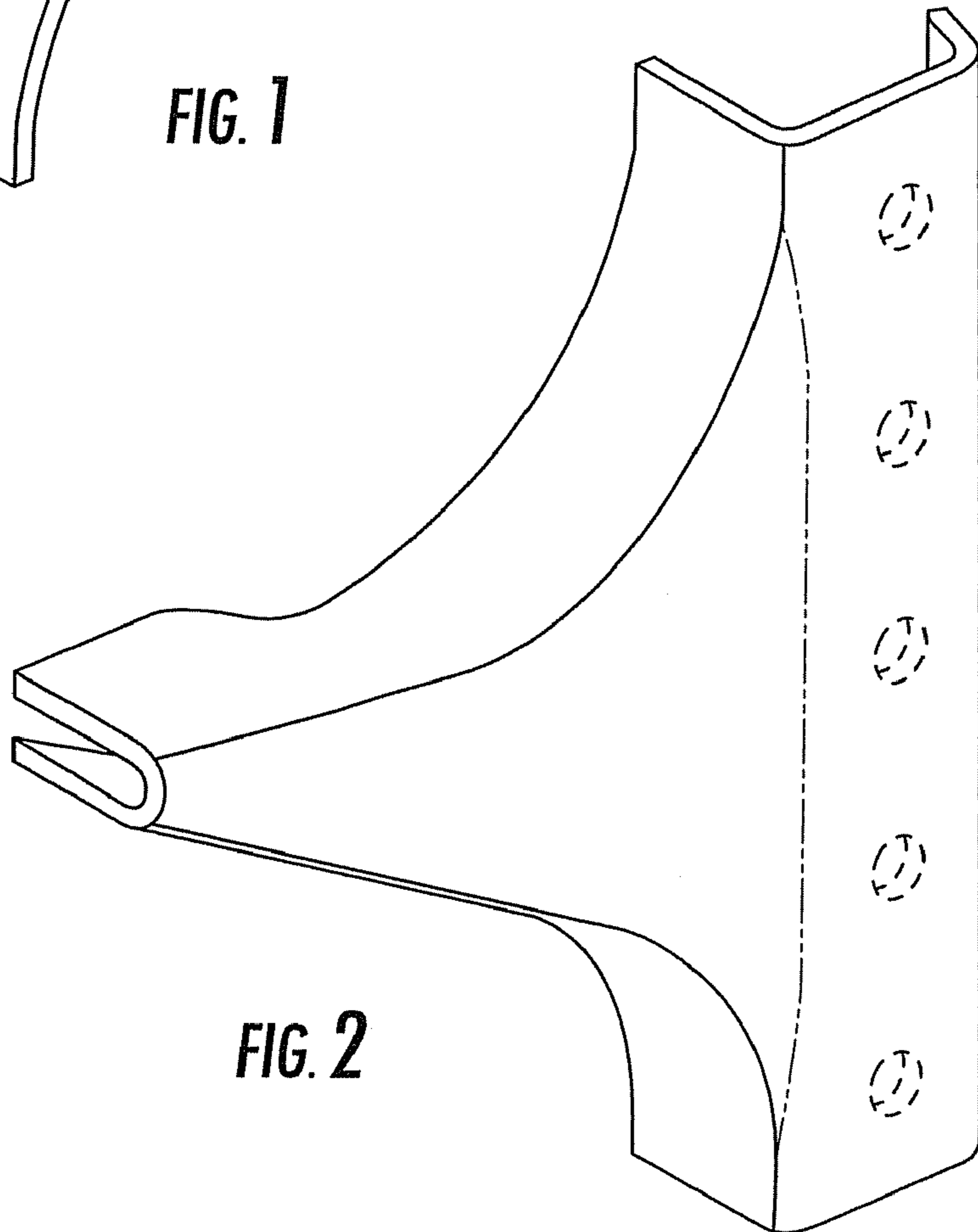


FIG. 2

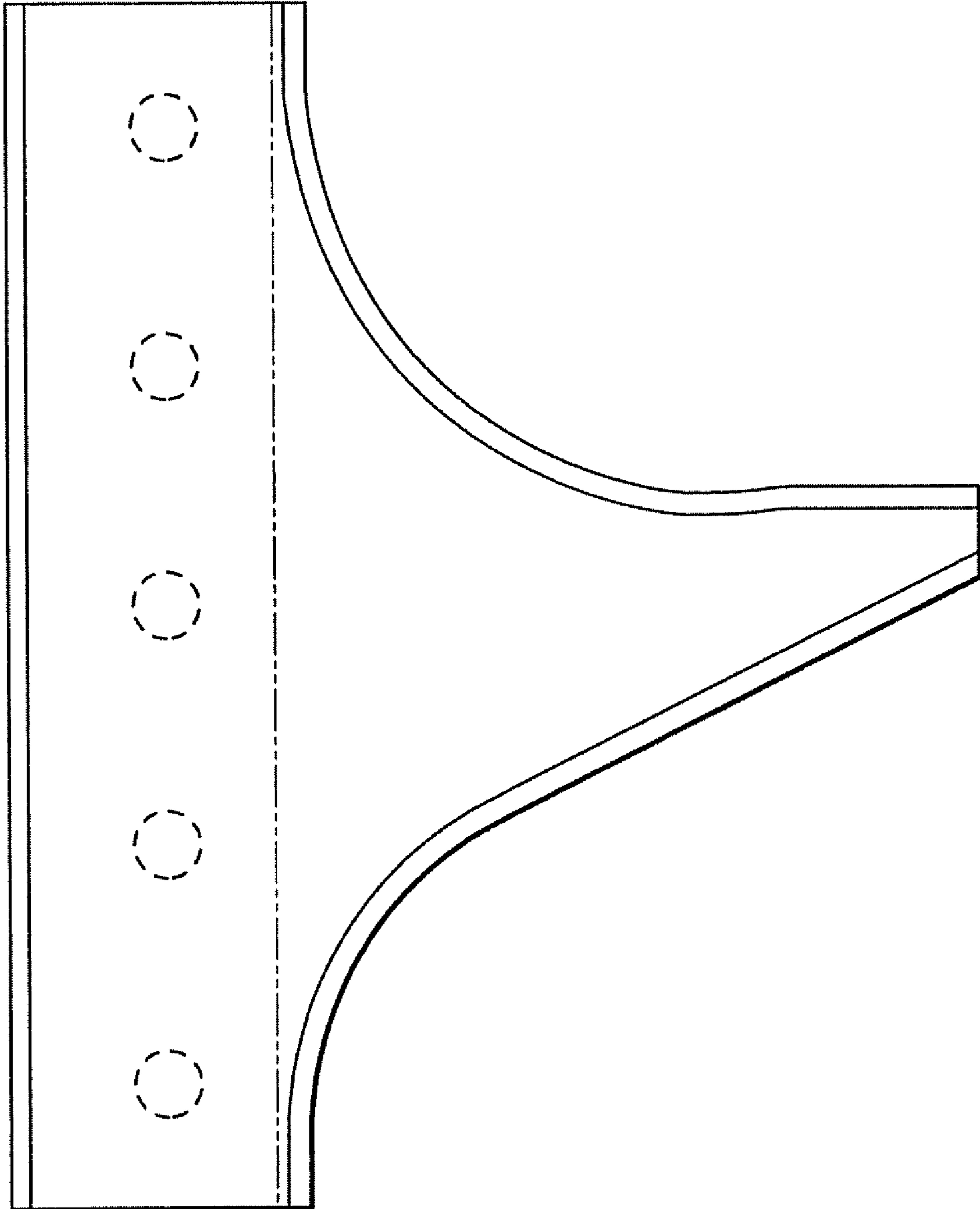


FIG. 3

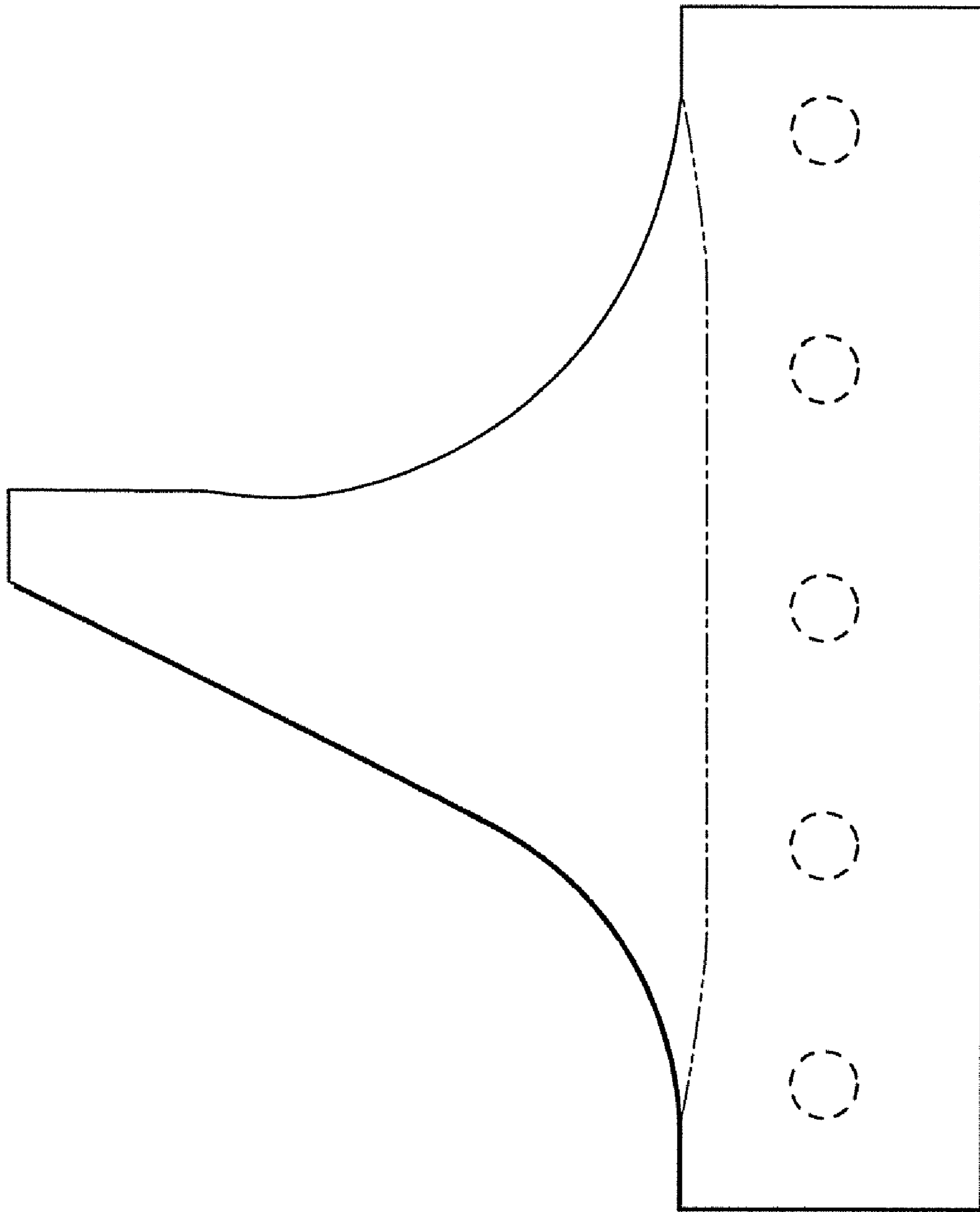


FIG. 4

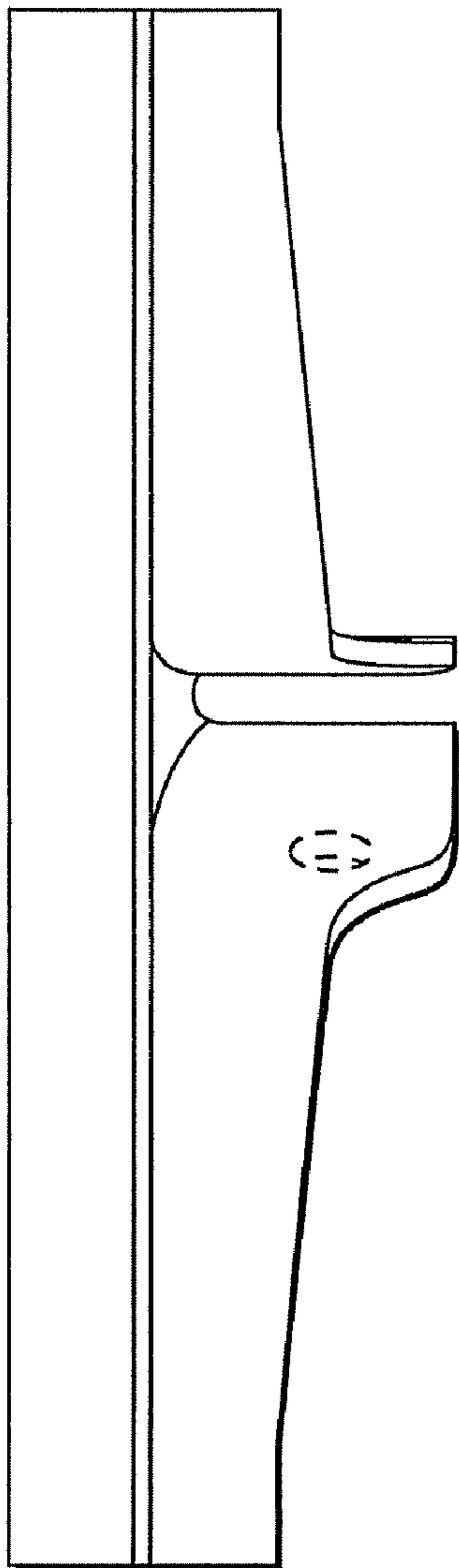


FIG. 5

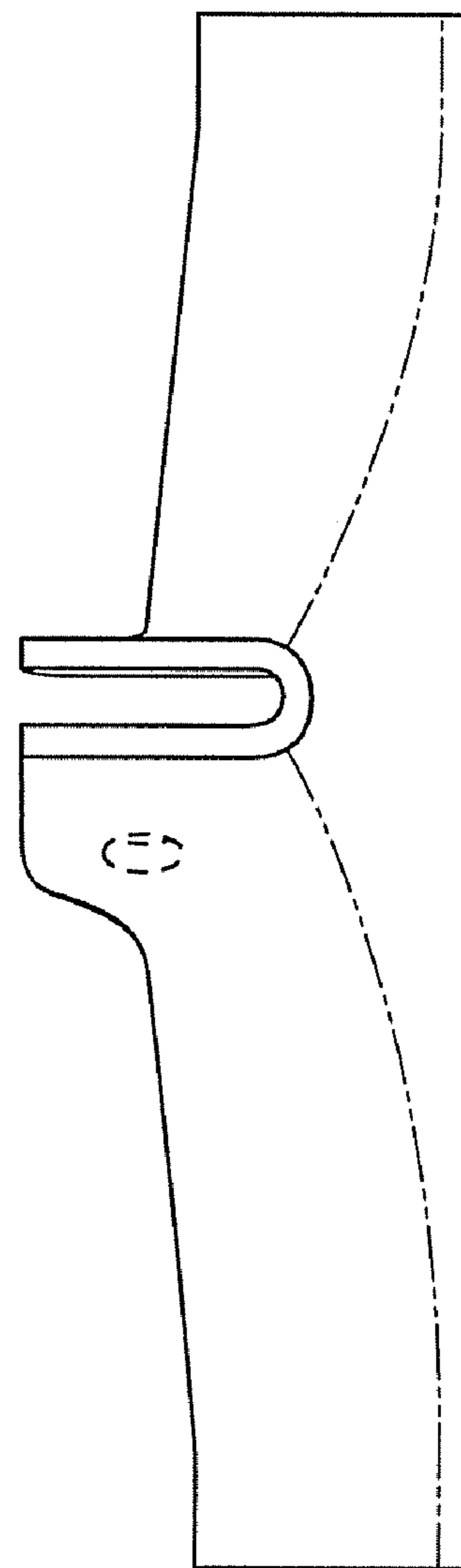


FIG. 6

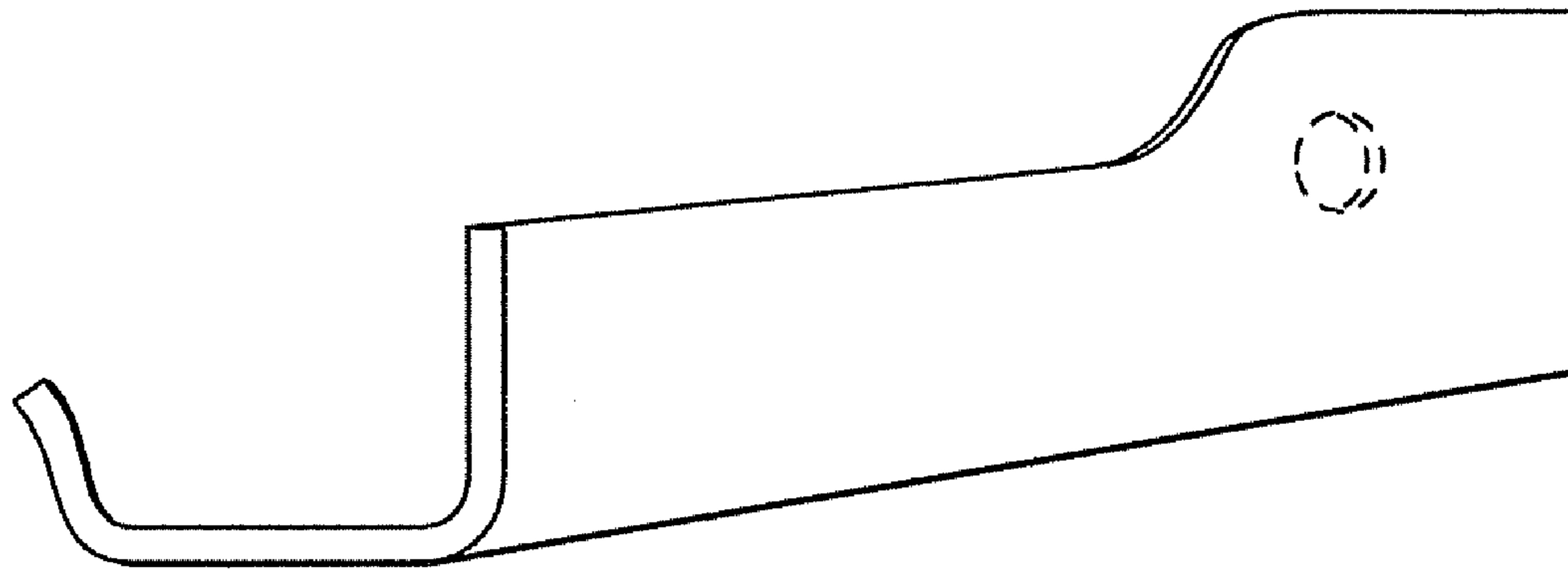


FIG. 7

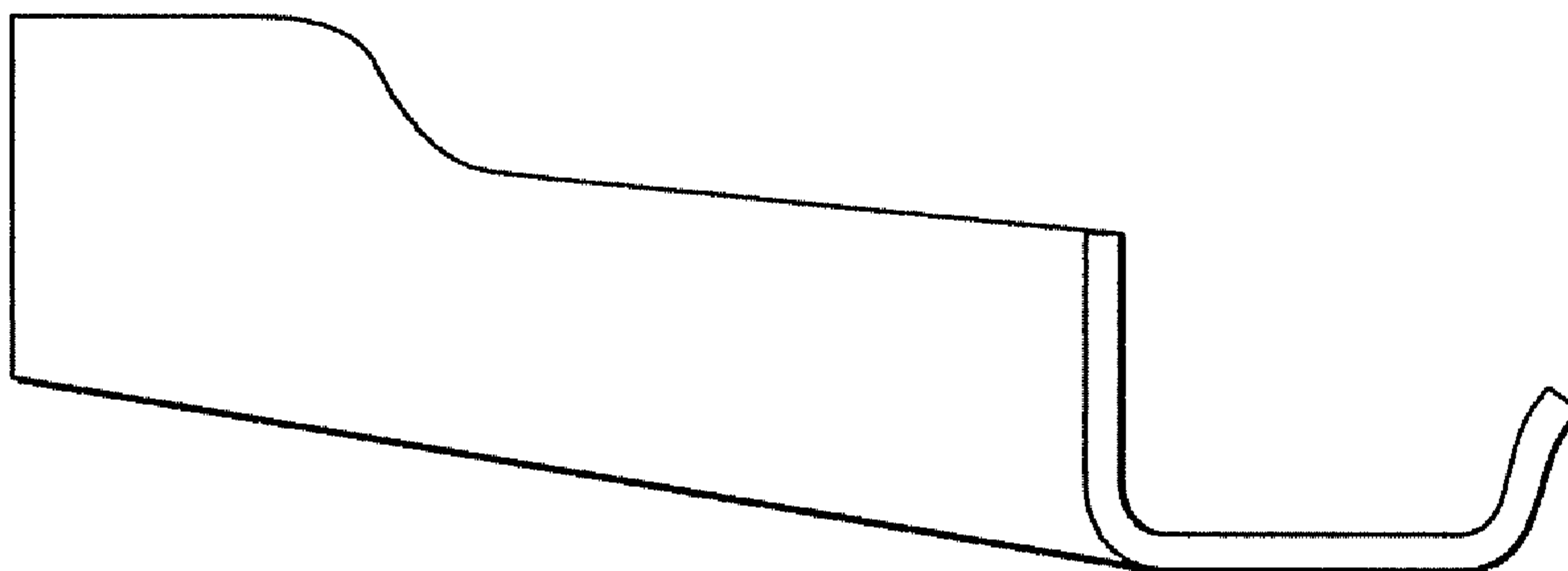


FIG. 8

UNITED STATES PATENT AND TRADEMARK OFFICE
CERTIFICATE OF CORRECTION

PATENT NO. : Des. 565,933 S
APPLICATION NO. : 29/269222
DATED : April 8, 2008
INVENTOR(S) : Berry et al.

Page 1 of 1

It is certified that error appears in the above-identified patent and that said Letters Patent is hereby corrected as shown below:

Title page Line 10 under "DESCRIPTION", "tbr the purpose" should read -- for the purpose --

Signed and Sealed this

Sixteenth Day of September, 2008

A handwritten signature in black ink that reads "Jon W. Dudas". The signature is written in a cursive style with a large, stylized initial "J".

JON W. DUDAS

Director of the United States Patent and Trademark Office