

US00D565932S

(12) **United States Design Patent**
Koros et al.

(10) **Patent No.:** **US D565,932 S**

(45) **Date of Patent:** **** Apr. 8, 2008**

(54) **BI-DIRECTIONAL LOCKING MECHANISM**

D495,235 S * 8/2004 Burrows D8/341

* cited by examiner

(76) Inventors: **Tibor B. Koros**, 610 Flinn Ave.,
Moorpark, CA (US) 93021; **Gabriel J. Koros**, 610 Flinn Ave., Moorpark, CA
(US) 93021

Primary Examiner—Stella M. Reid
Assistant Examiner—Shanda C. Hill

(**) Term: **14 Years**

(57) **CLAIM**

(21) Appl. No.: **29/292,659**

The ornamental design for a bi-directional locking mechanism, substantially as shown and described.

(22) Filed: **Oct. 22, 2007**

DESCRIPTION

(51) **LOC (8) Cl.** **08-07**

FIG. 1 is an isometric view of a bi-directional locking mechanism according to the invention showing our new design.

(52) **U.S. Cl.** **D8/338**

(58) **Field of Classification Search** D8/330,
D8/331, 336, 338, 343, 344, 345, 346; 70/9,
70/11, 161, 168, 185, 266, 431; 292/2, 5,
292/6, 7; 16/426

FIG. 2 is a front elevation view thereof,
FIG. 3 is a right side elevation view thereof,
FIG. 4 is a rear elevation view thereof,
FIG. 5 is a left side elevation view thereof,
FIG. 6 is a top plan view thereof; and,
FIG. 7 is a bottom plan view thereof.

See application file for complete search history.

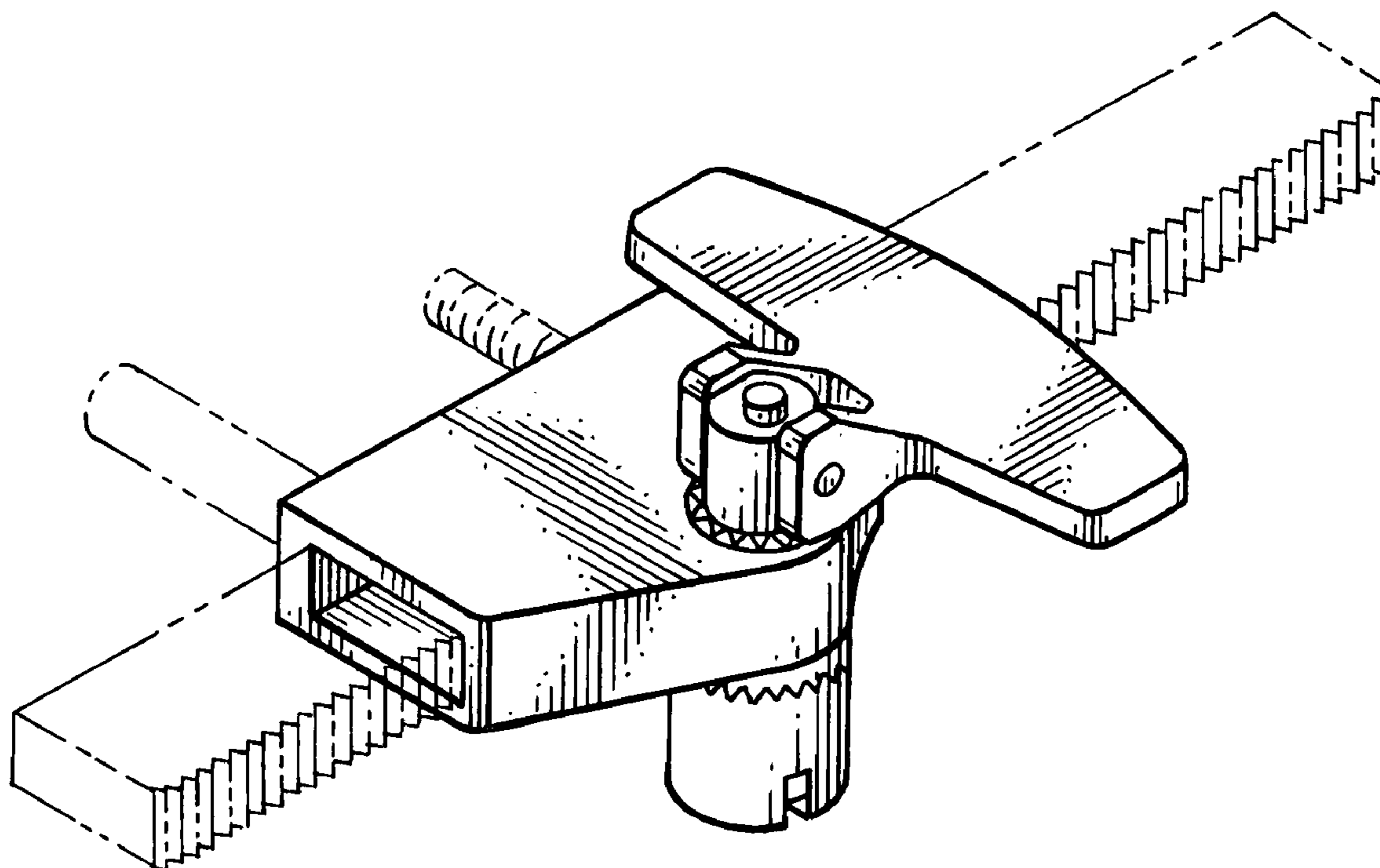
The broken lines shown in the drawing disclosure are for illustrative purposes only and form no part of the claimed design.

(56) **References Cited**

U.S. PATENT DOCUMENTS

- 5,216,781 A * 6/1993 Bronfield 16/426
- D365,744 S * 1/1996 Leung D8/331
- D432,899 S * 10/2000 Nistor et al. D8/331
- D494,839 S * 8/2004 Ford D8/343

1 Claim, 2 Drawing Sheets



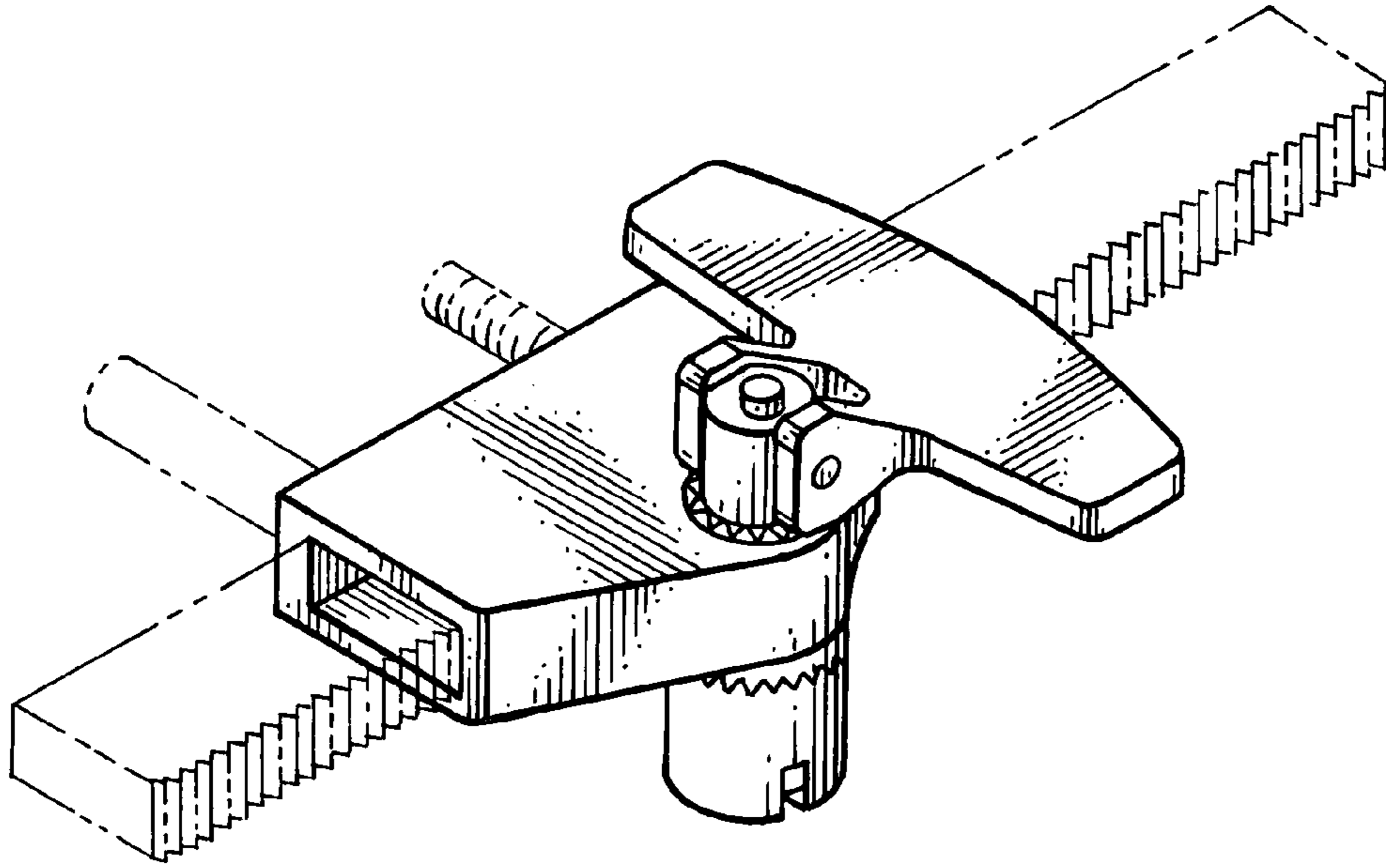


Fig. 1.

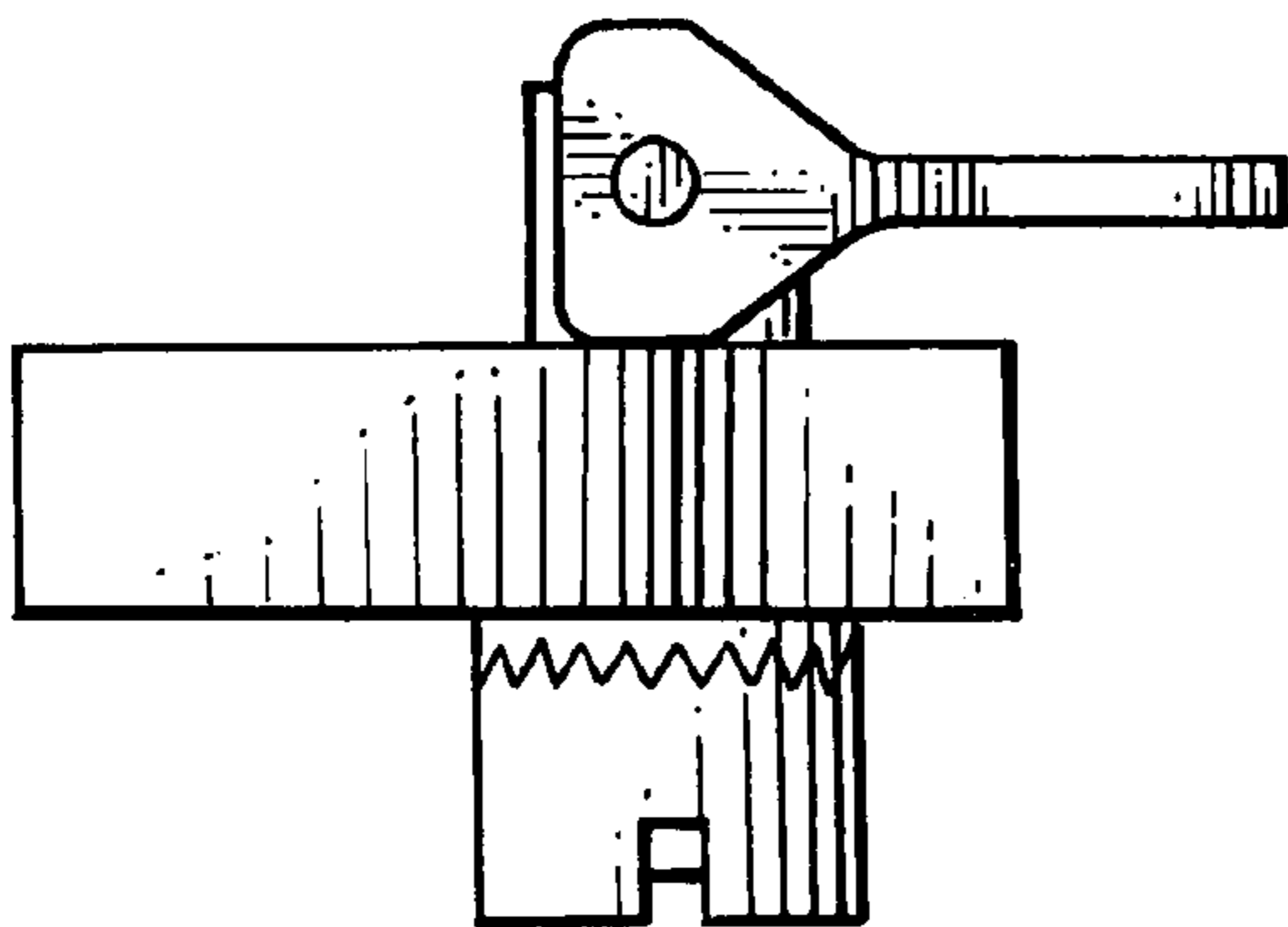


Fig. 2.

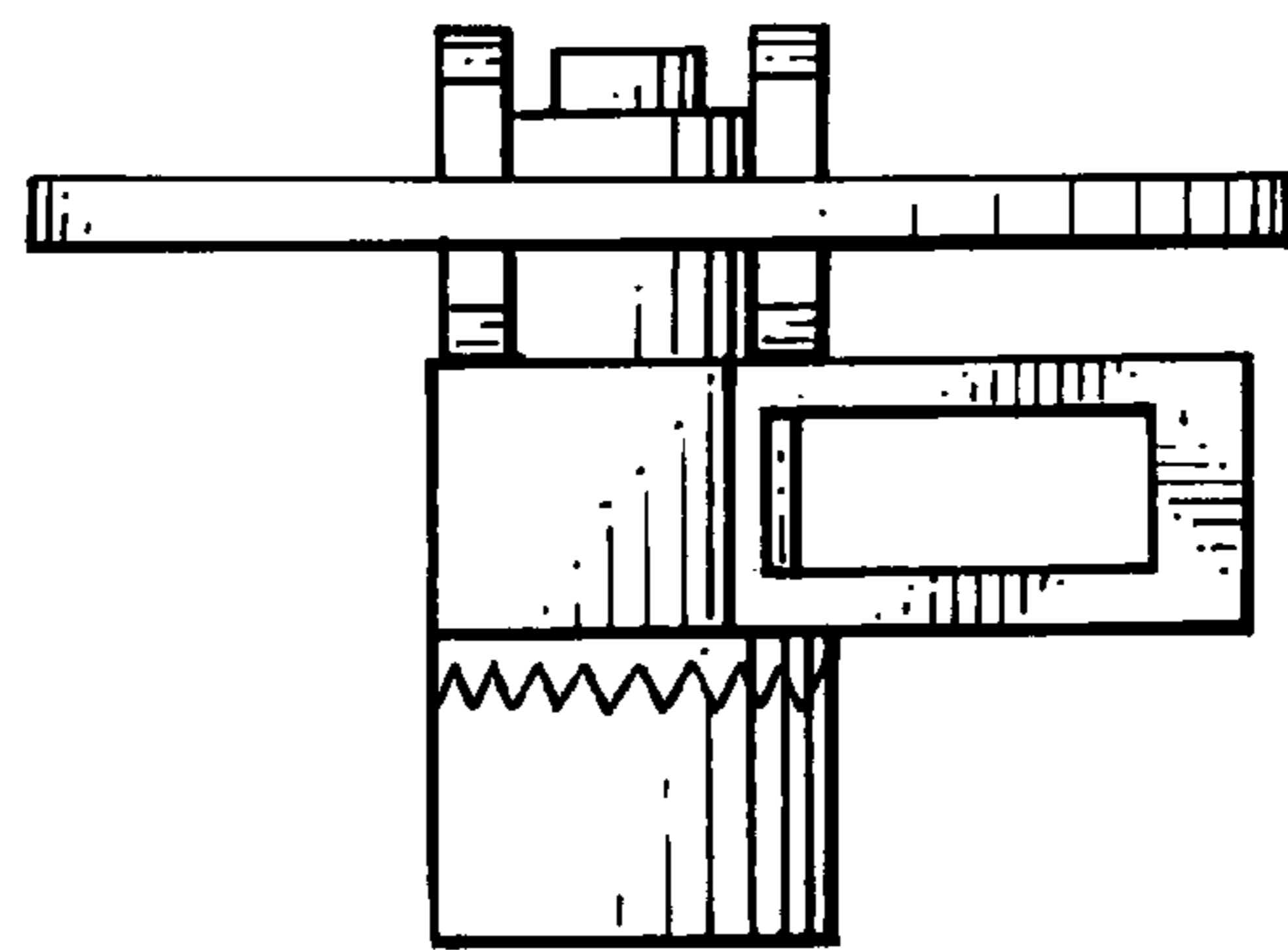


Fig. 3.

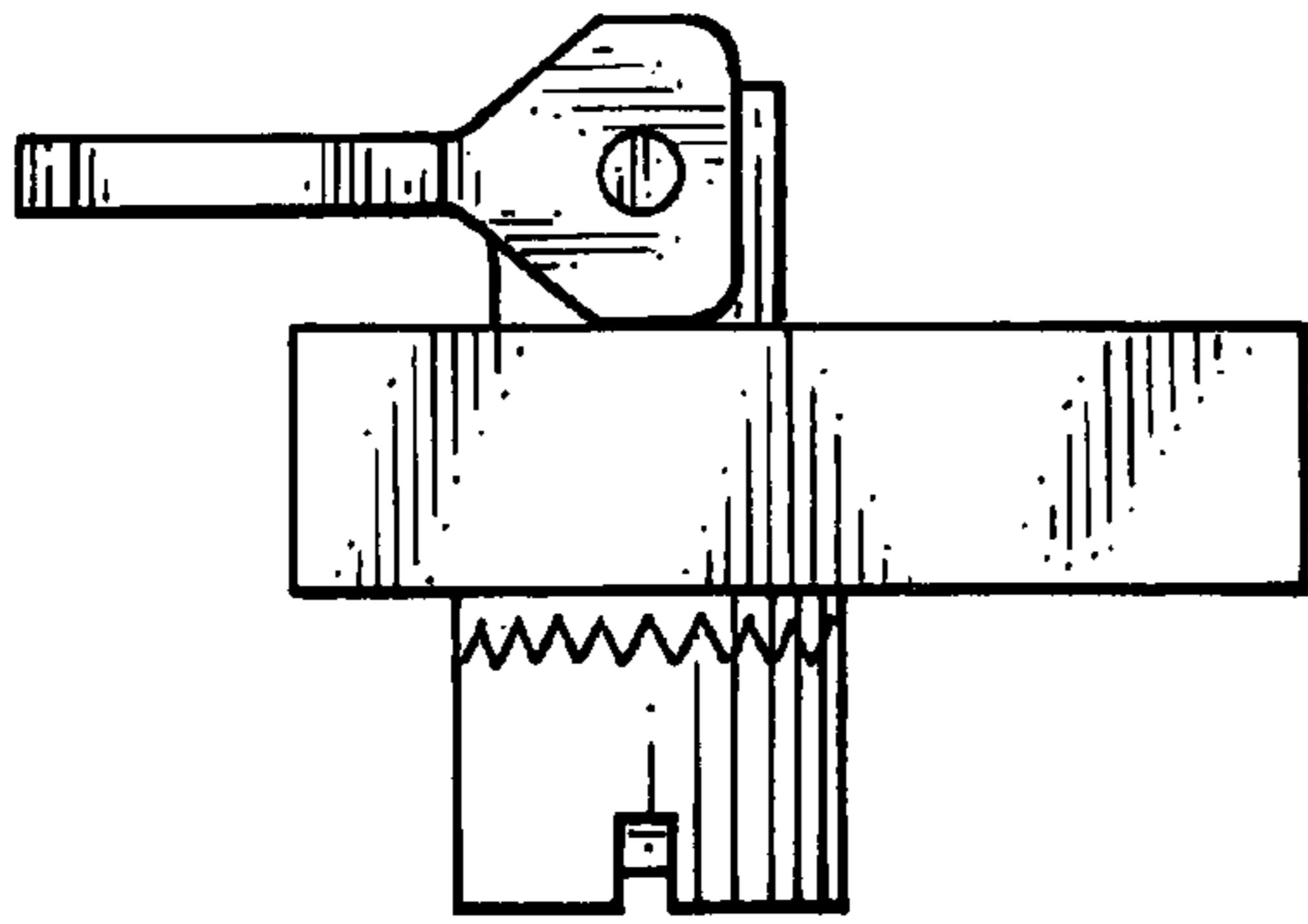


Fig. 4.

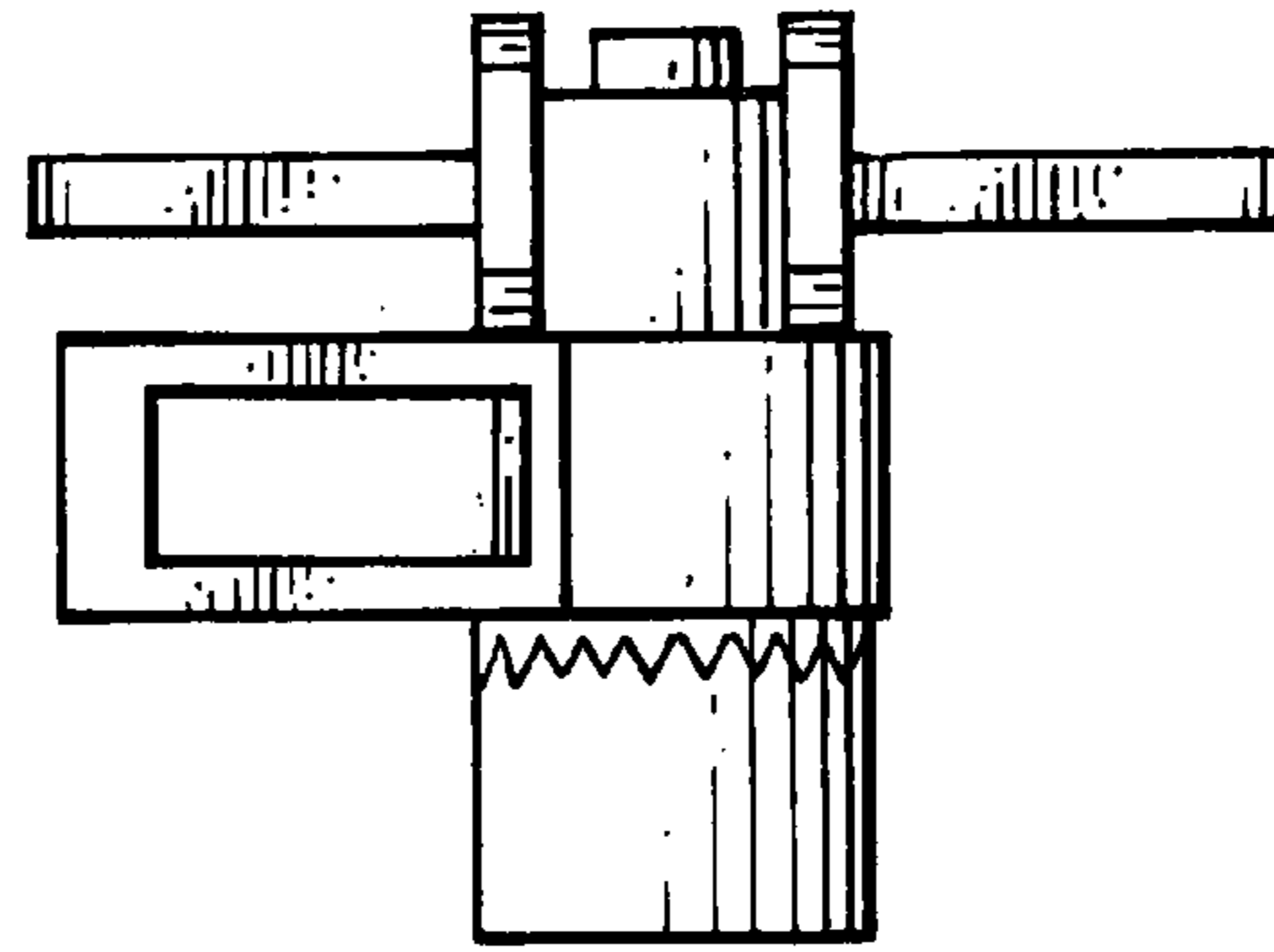


Fig. 5.

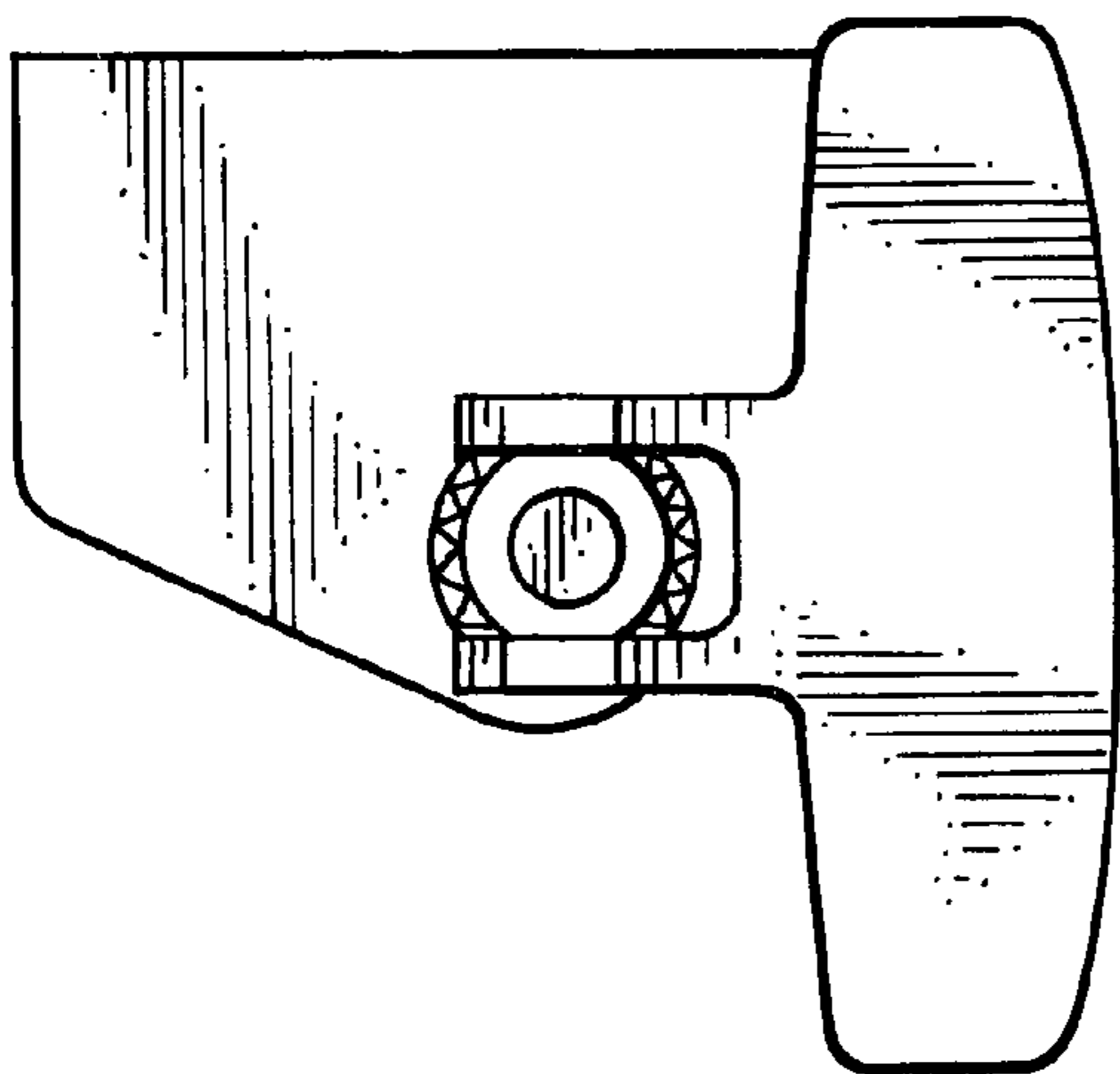


Fig. 6.

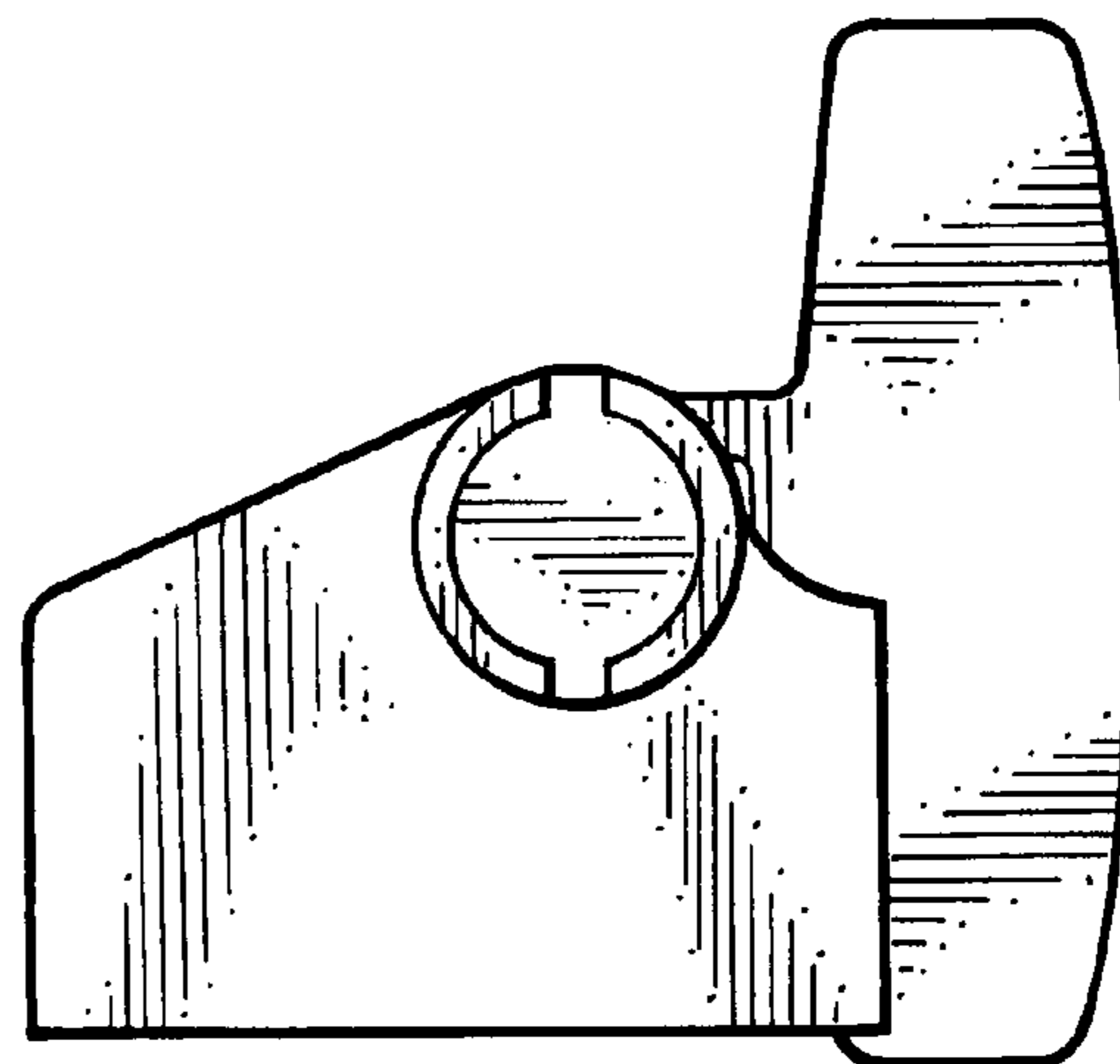


Fig. 7.