



US00D565930S

(12) **United States Design Patent**  
**Peng**

(10) **Patent No.:** **US D565,930 S**

(45) **Date of Patent:** **\*\* Apr. 8, 2008**

(54) **LATCH**

(76) Inventor: **I-Sin Peng**, No. 410, Sec. 2, Henan Rd., Situn District, Taichung City 407 (TW)

(\*\*) Term: **14 Years**

(21) Appl. No.: **29/273,617**

(22) Filed: **Mar. 9, 2007**

(51) **LOC (8) Cl.** ..... **08-07**

(52) **U.S. Cl.** ..... **D8/331**

(58) **Field of Classification Search** ..... D8/330-348;  
292/140-146, 163-169, 173-175; 70/77,  
70/91, 136, 141, 174, 208, 471; 16/207,  
16/214, 371, 408, 409, 440  
See application file for complete search history.

(56) **References Cited**

**U.S. PATENT DOCUMENTS**

D210,153 S *	2/1968	Pastva, Jr.	.....	D8/341
D271,562 S *	11/1983	Weinerman	.....	D8/338
D324,636 S *	3/1992	Schlack et al.	.....	D8/331
D370,620 S *	6/1996	Ziemer	.....	D8/341
D390,443 S *	2/1998	Zenner	.....	D8/331
D429,141 S *	8/2000	Antonucci et al.	.....	D8/331
6,109,669 A *	8/2000	Pinkow	.....	292/175
D452,808 S *	1/2002	Kyle	.....	D8/331
D457,803 S *	5/2002	Weinerman et al.	.....	D8/338

D475,602 S *	6/2003	McCloskey	.....	D8/331
D489,959 S *	5/2004	Jackson et al.	.....	D8/331
D506,120 S *	6/2005	Straka et al.	.....	D8/331
D530,181 S *	10/2006	Straka et al.	.....	D8/301
D531,484 S *	11/2006	Downing	.....	D8/331
D534,785 S *	1/2007	Mlynarczyk et al.	.....	D8/331

\* cited by examiner

*Primary Examiner*—Mitchell Siegel

(74) *Attorney, Agent, or Firm*—Troxell Law Office, PLLC

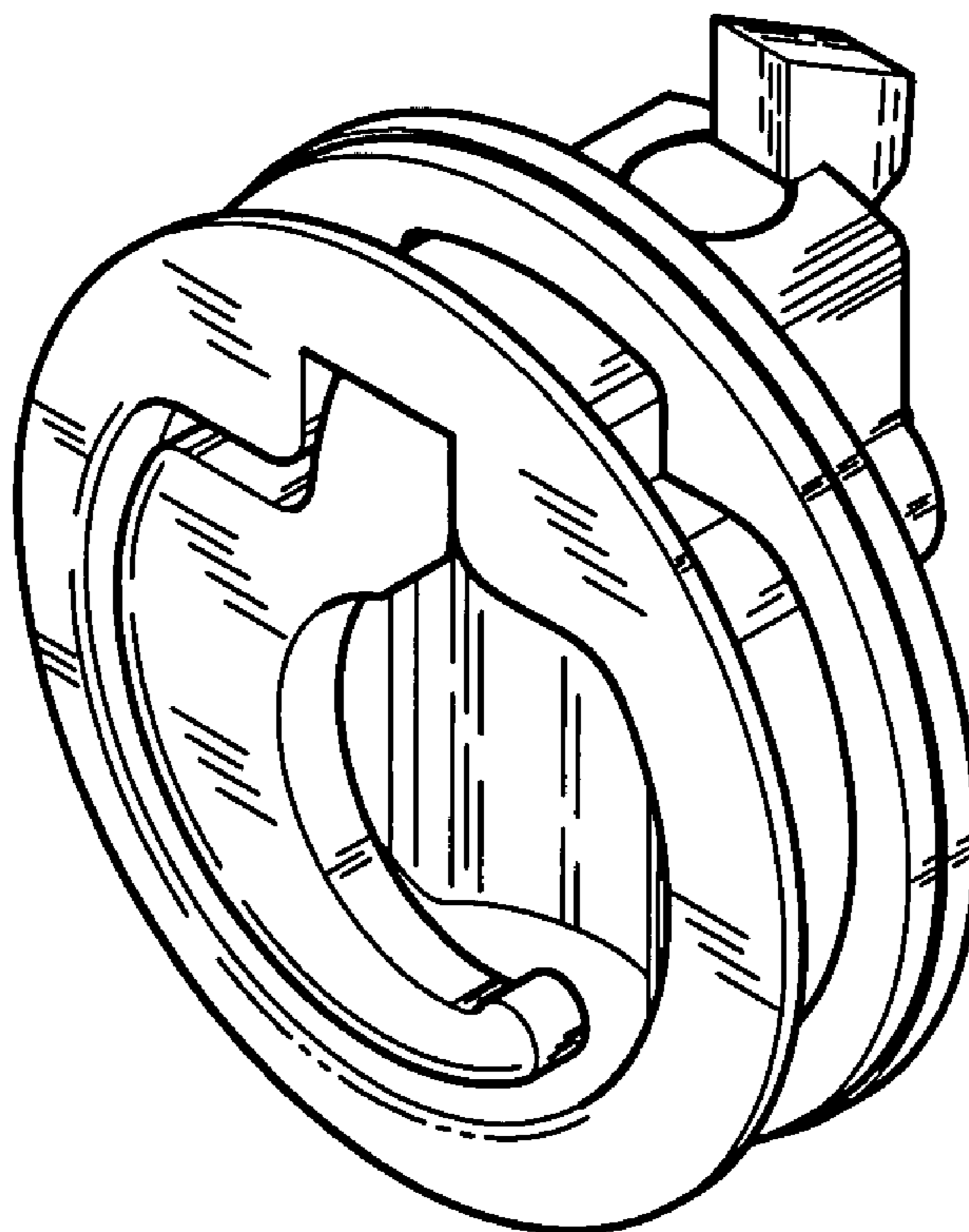
(57) **CLAIM**

The ornamental design for a latch, as shown and described.

**DESCRIPTION**

FIG. 1 is a top plan view thereof;  
 FIG. 2 is a front elevation view thereof;  
 FIG. 3 is a bottom plan view thereof;  
 FIG. 4 is a rear elevation view thereof;  
 FIG. 5 is a left side view thereof;  
 FIG. 6 is a right side view thereof; and,  
 FIG. 7 is a perspective view of a latch showing my new design; and,  
 FIG. 8 shows one application of the present invention, where those indicated by broken lines are not claimed in the present invention.

**1 Claim, 5 Drawing Sheets**



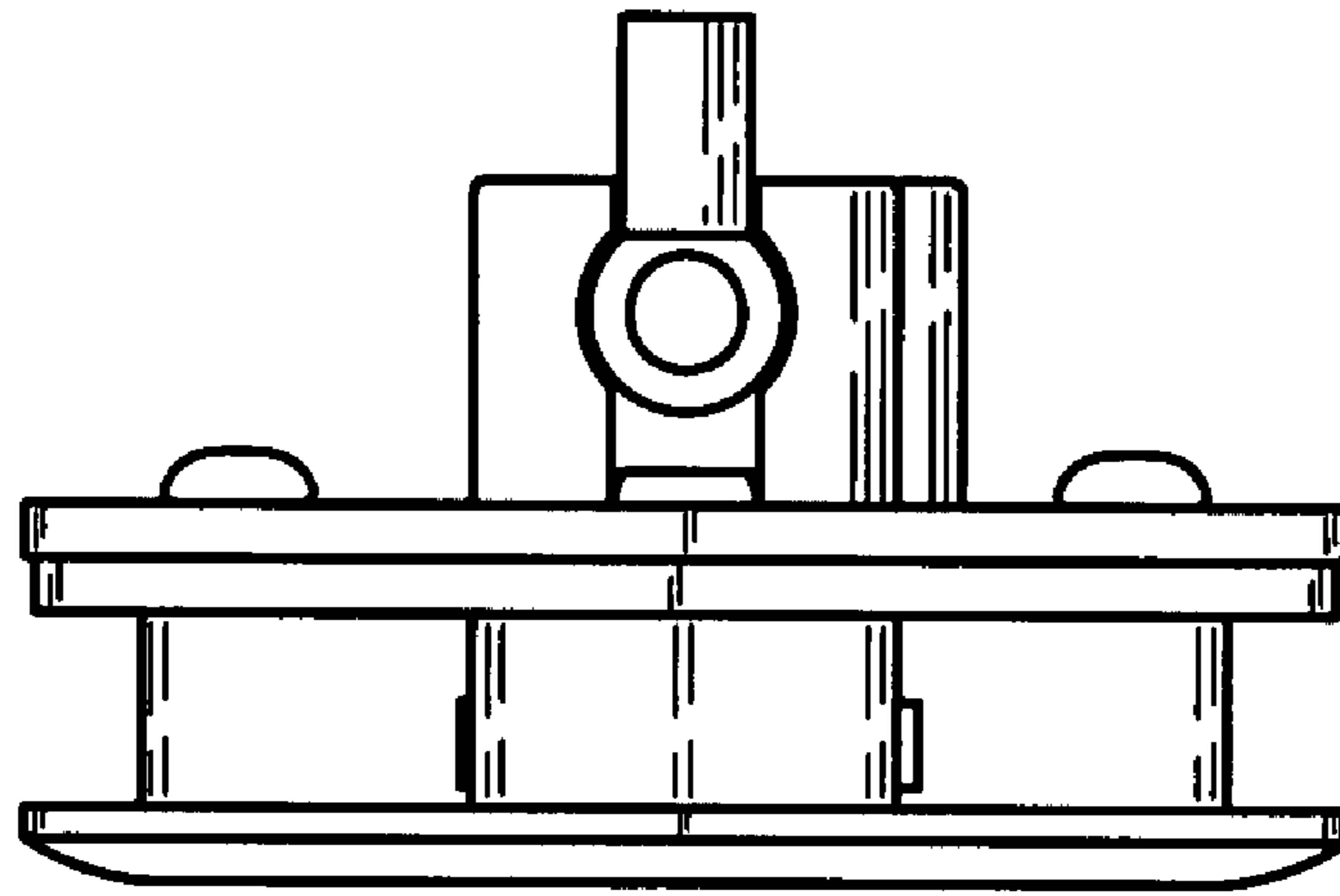


Fig. 1

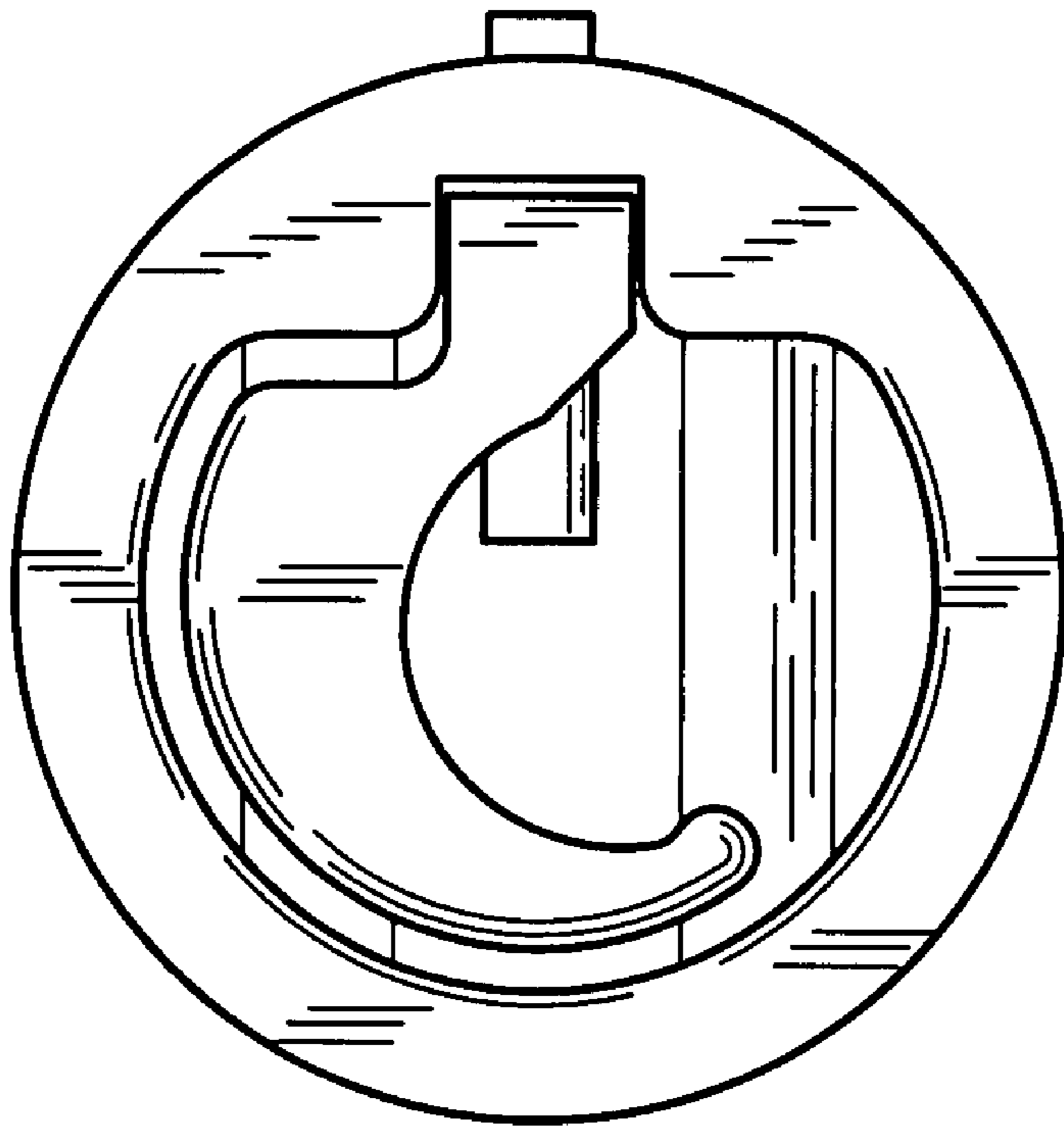


Fig. 2

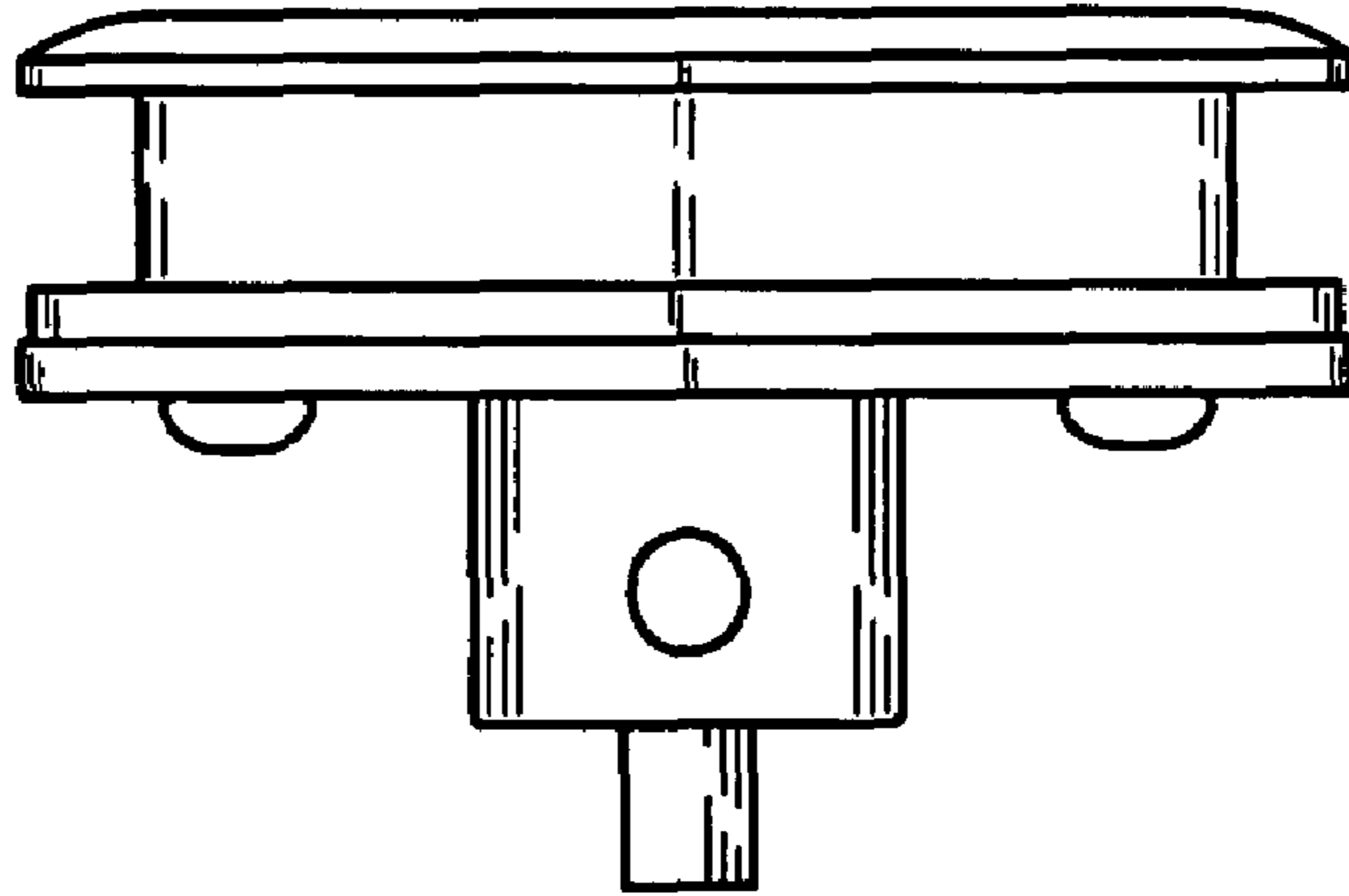


Fig. 3

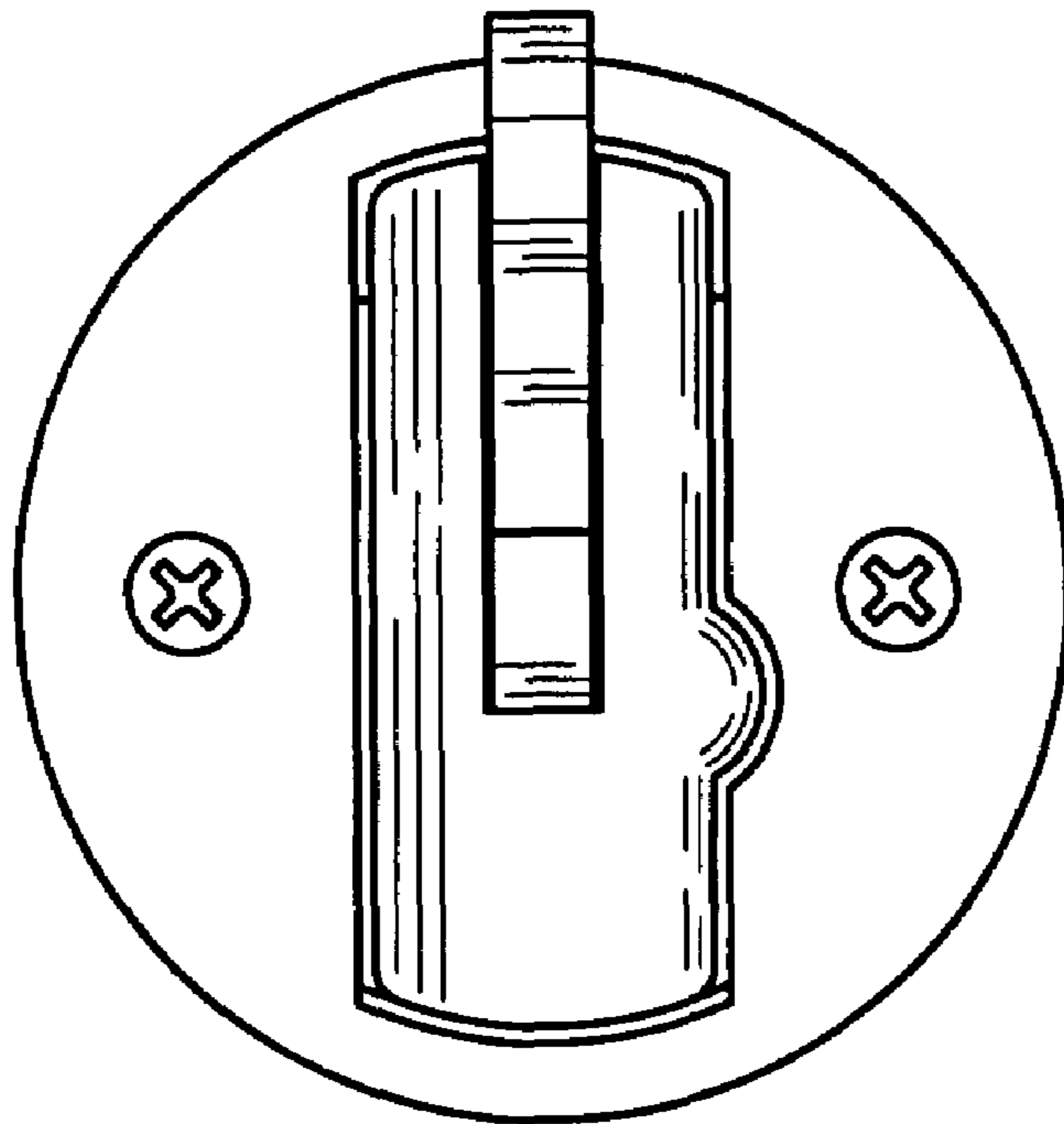


Fig. 4

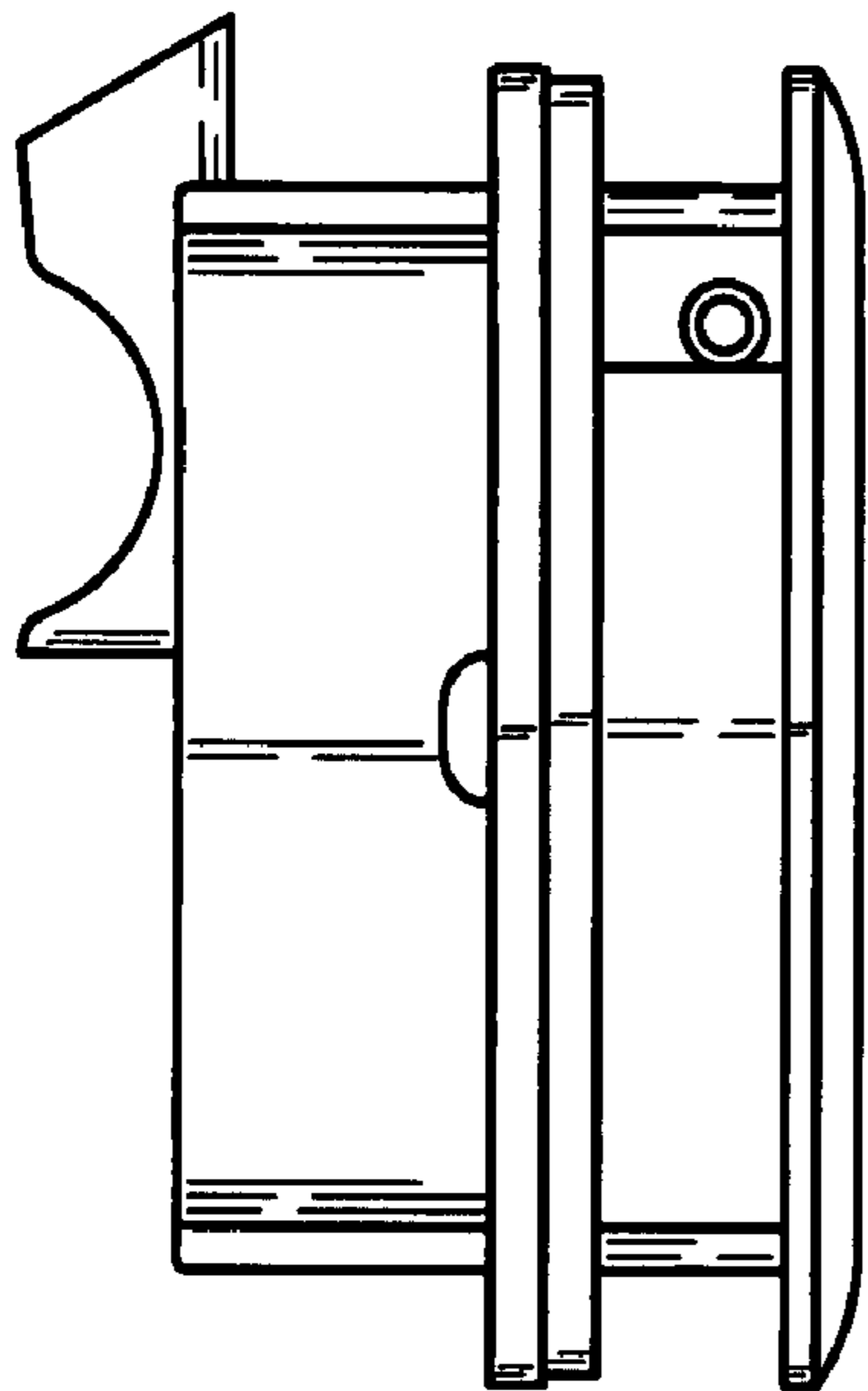


Fig. 5

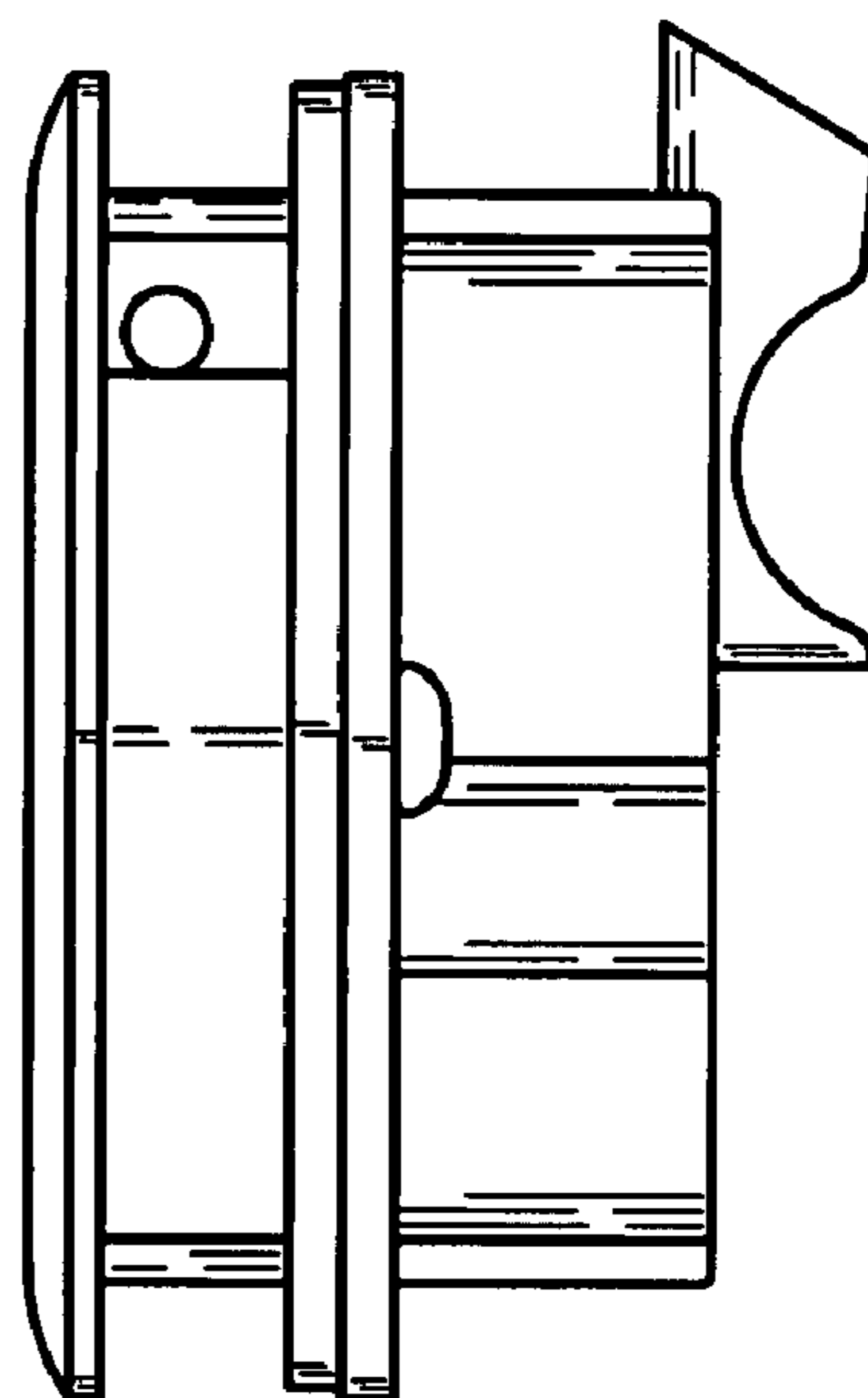


Fig. 6

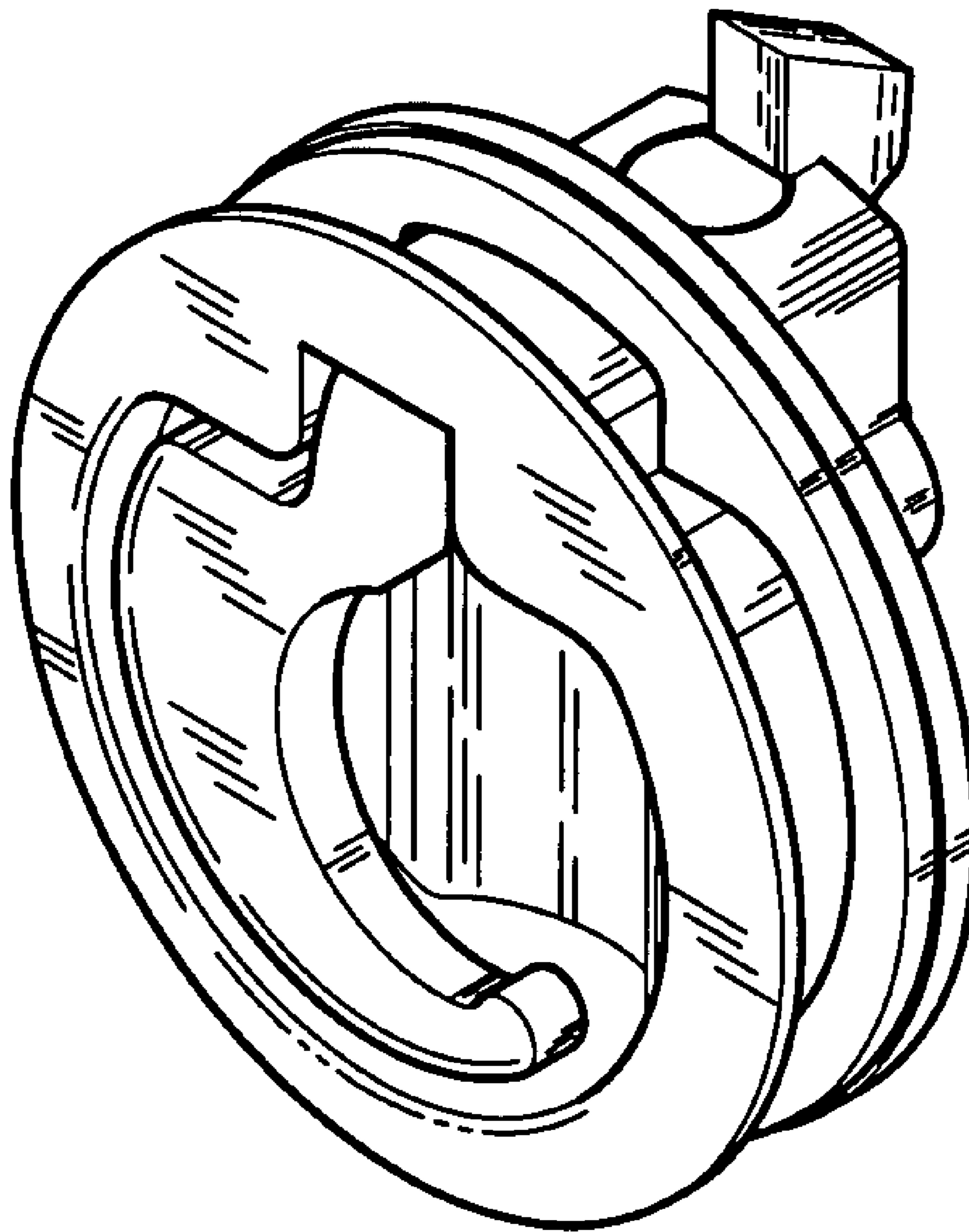


Fig. 7

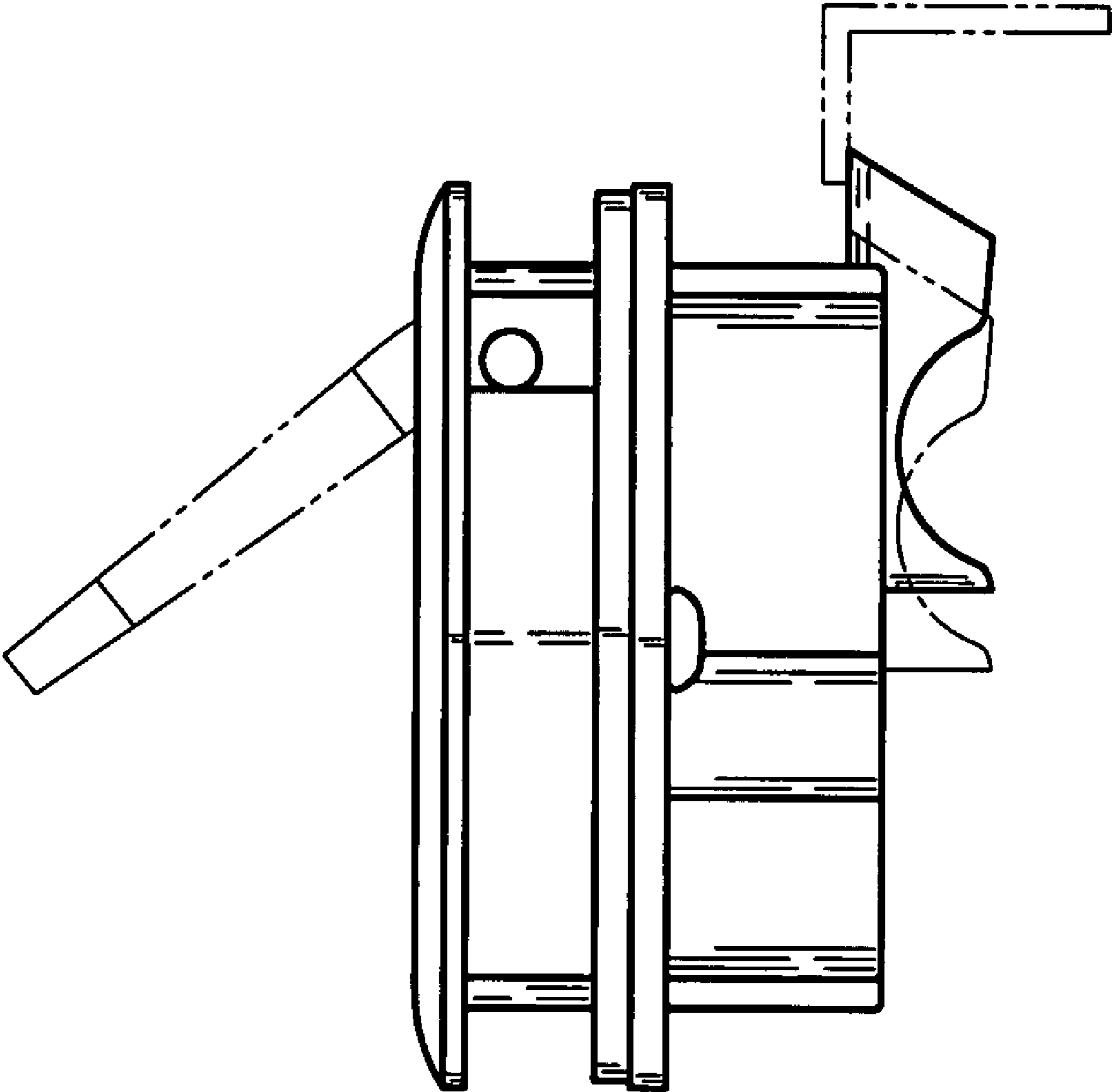


Fig. 8