



US00D565927S

(12) **United States Design Patent**  
**Krumpe**

(10) **Patent No.:** **US D565,927 S**

(45) **Date of Patent:** **\*\* Apr. 8, 2008**

(54) **KNOB**

(75) Inventor: **Geraint Krumpe**, Chicago, IL (US)

(73) Assignee: **Liberty Hardware Mfg. Corp.**,  
Winston-Salem, NC (US)

(\*\*) Term: **14 Years**

(21) Appl. No.: **29/286,056**

(22) Filed: **Apr. 20, 2007**

(51) **LOC (8) Cl.** ..... **08-06**

(52) **U.S. Cl.** ..... **D8/310**

(58) **Field of Classification Search** ..... D8/300-303,  
D8/305, 307, 308, 310-312, 315-321, DIG. 1,  
D8/DIG. 2; D7/393, 394, 405; D3/318;  
D23/303, 305; D6/524, 533, 549, 550; D15/89;  
292/347, 336.3; 16/441, 118, 110 R, 111 R,  
16/DIG. 19, DIG. 30, DIG. 5, 110.1, 402,  
16/412, 414-420, 443-446; 211/16, 182;  
220/752-754, 912

See application file for complete search history.

(56) **References Cited**

**U.S. PATENT DOCUMENTS**

D155,441 S \* 10/1949 Muller-Munk ..... D7/396

D204,203 S \* 3/1966 Maffei ..... D8/310  
D388,316 S \* 12/1997 McDonough et al. .... D8/387  
D389,326 S \* 1/1998 Moore ..... D6/323  
D415,947 S \* 11/1999 May ..... D8/305  
D527,611 S \* 9/2006 Sato ..... D8/310  
D545,663 S \* 7/2007 Sato ..... D8/310

\* cited by examiner

*Primary Examiner*—Ian Simmons

*Assistant Examiner*—Mark Goodwin

(74) *Attorney, Agent, or Firm*—Edgar A. Zarins; Lloyd D. Doigan

(57) **CLAIM**

The ornamental design for a knob, as shown and described.

**DESCRIPTION**

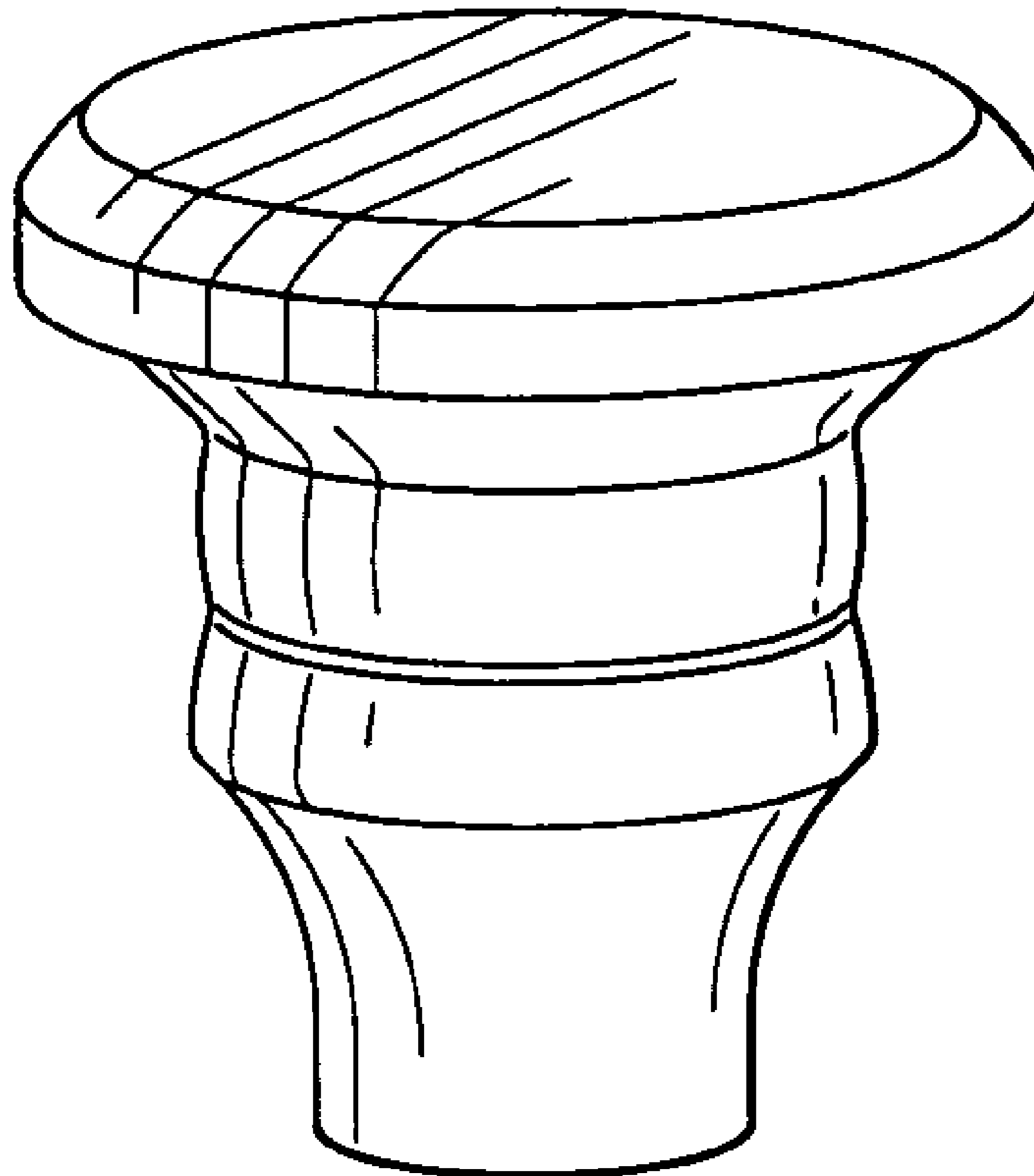
FIG. 1 is a perspective view of a knob showing my new design;

FIG. 2 is side view thereof; and,

FIG. 3 is a front elevational view thereof.

All views of the claim not shown form no part of the claimed design.

**1 Claim, 1 Drawing Sheet**



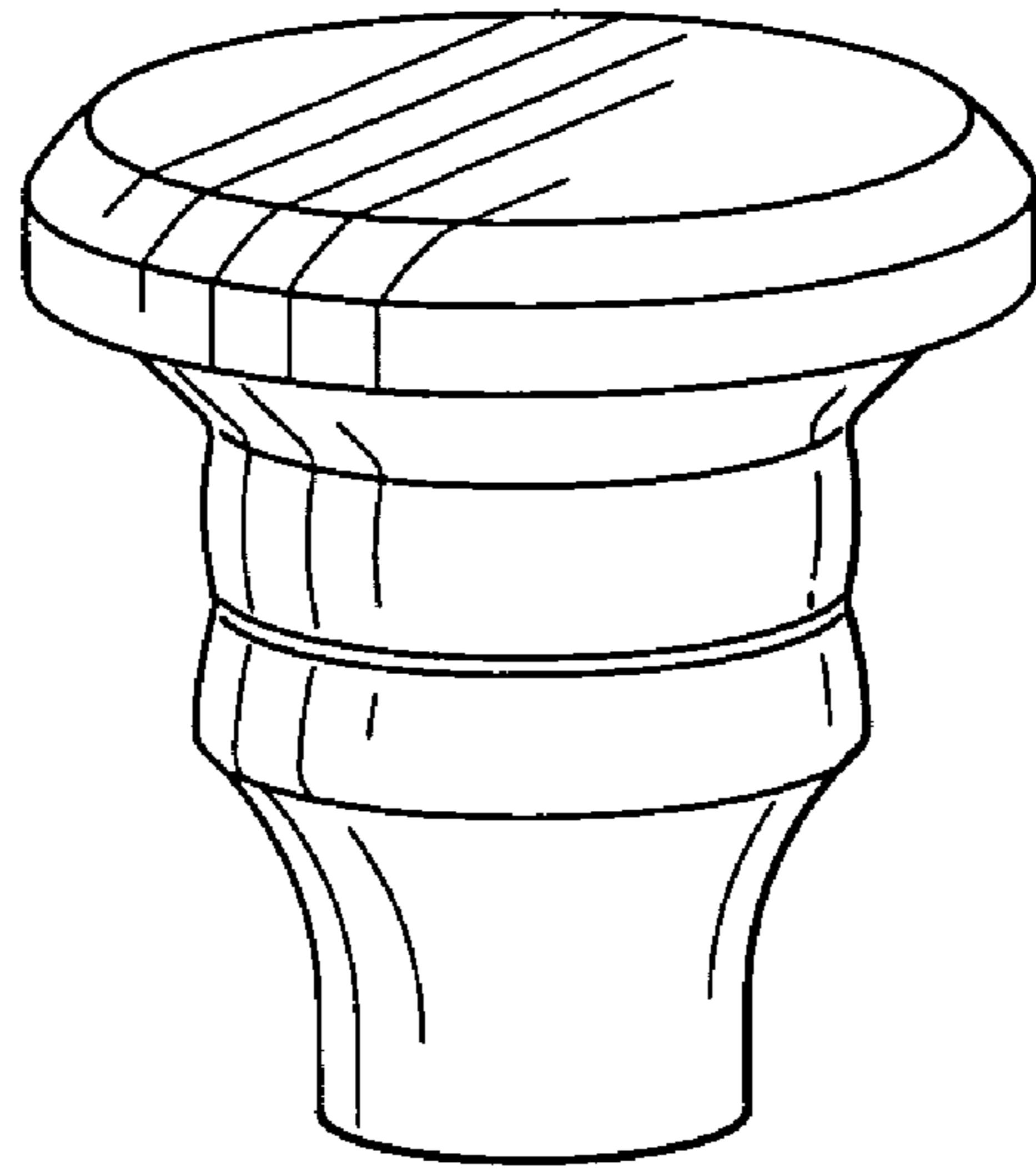


Fig-1

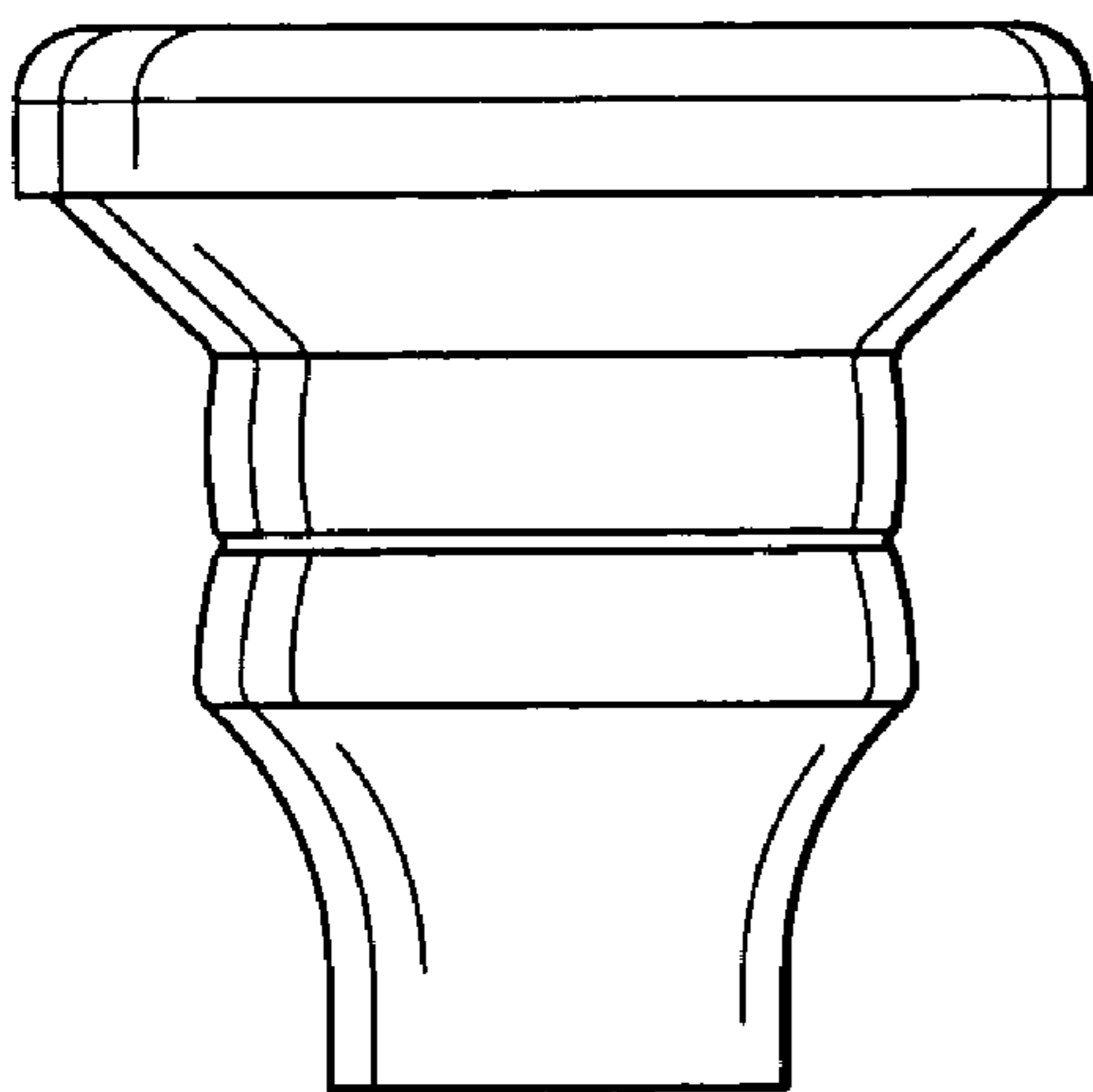


Fig-2

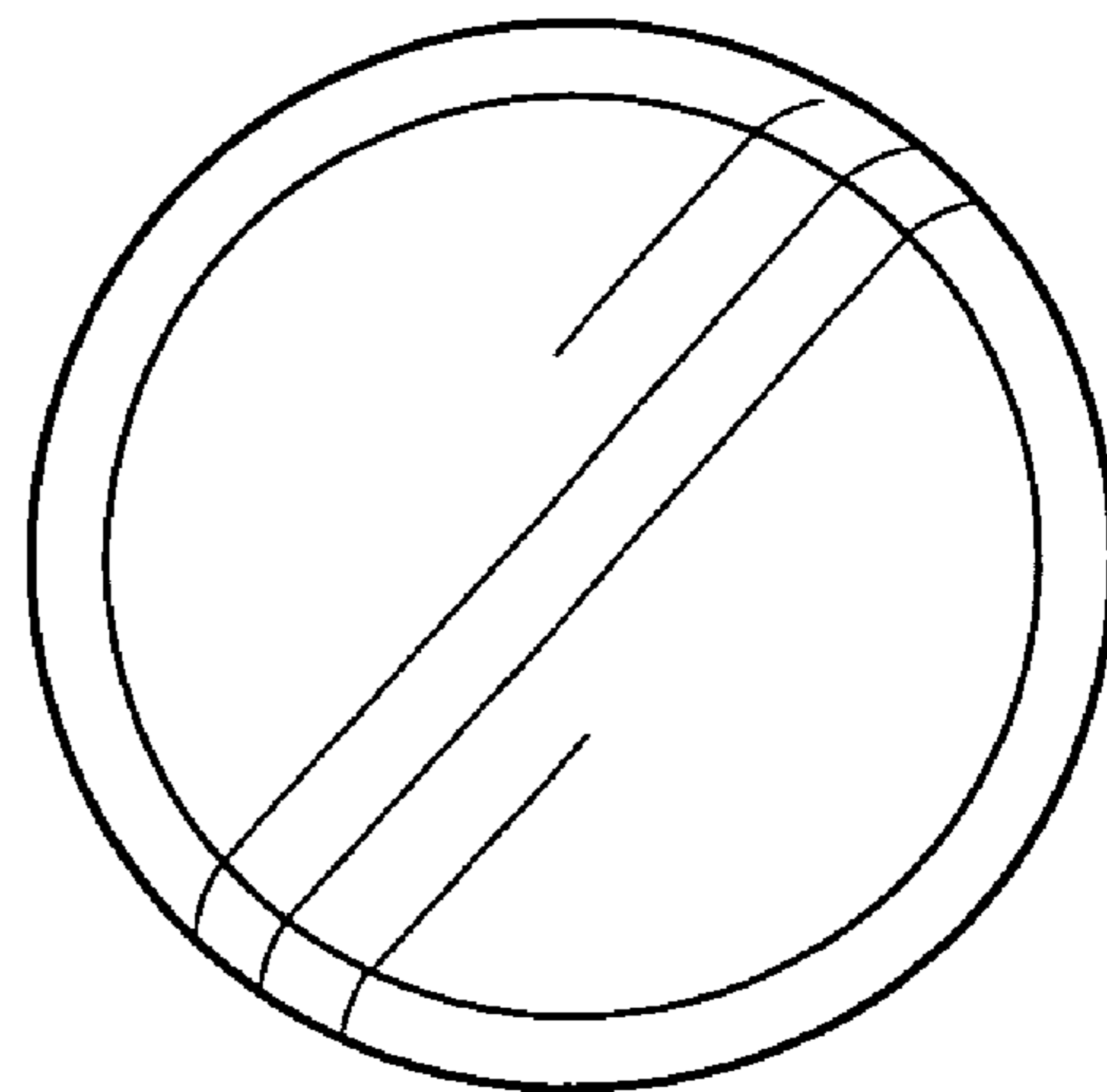


Fig-3