



US00D565926S

(12) **United States Design Patent**
Hartkopf

(10) **Patent No.:** **US D565,926 S**

(45) **Date of Patent:** **** Apr. 8, 2008**

(54) **LEVER FOR HOSPITAL BED**

(75) Inventor: **Horst Hartkopf**, Wermelskirchen (DE)

(73) Assignee: **Tente GmbH & Co. KG** (DE)

(**) Term: **14 Years**

(21) Appl. No.: **29/284,169**

(22) Filed: **Aug. 31, 2007**

Related U.S. Application Data

(62) Division of application No. 29/254,559, filed on Feb. 24, 2006, now Pat. No. Des. 554,970.

(30) **Foreign Application Priority Data**

Aug. 25, 2005 (EM) 000391222

(51) **LOC (8) Cl.** **08-06**

(52) **U.S. Cl.** **D8/307; D8/308**

(58) **Field of Classification Search** D8/300,
D8/305, 307, 308, 311, 382, 397, 398, DIG. 1;
16/422; 411/433, 435, 437, 400, 402, 409;
5/658, 662, 509.1, 510; D6/503; 297/411.01,
297/411.29; 248/215, 216.1, 216.4
See application file for complete search history.

(56) **References Cited**

U.S. PATENT DOCUMENTS

D78,990 S *	7/1929	Stevenson	D8/308
D82,600 S *	11/1930	Brownell	D8/307
D128,119 S	7/1941	Landmeier	D8/308
D138,322 S	7/1944	Melichar	D8/305
2,383,670 A *	8/1945	Moss	411/409
2,399,090 A *	4/1946	Ballak	470/23
2,576,643 A	11/1951	Roerig	411/435
D176,945 S *	2/1956	Gilson	D8/398
D181,558 S	11/1957	Urie	D8/398
D302,243 S	7/1989	Gonzalez	D8/398

D317,705 S	6/1991	Tinz	D8/307
5,511,286 A *	4/1996	Williams et al.	16/422
D373,305 S	9/1996	Decursu et al.	D8/398
5,941,670 A *	8/1999	Sano et al.	411/433
6,113,160 A	9/2000	Johansson et al.	292/169
6,607,340 B2 *	8/2003	Petzl et al.	411/400
D554,970 S *	11/2007	Hartkopf	D8/308

* cited by examiner

Primary Examiner—Paula A. Greene

(74) *Attorney, Agent, or Firm*—St. Onge Steward Johnston & Reens LLC

(57) **CLAIM**

The ornamental design for lever for hospital bed, as shown and described.

DESCRIPTION

FIG. 1 is a left side elevational view of a lever for hospital bed showing my new design;

FIG. 2 is a front elevational view thereof;

FIG. 3 is a right side elevational view thereof;

FIG. 4 is a rear view elevational thereof;

FIG. 5 is a top plan view thereof;

FIG. 6 is a bottom view thereof;

FIG. 7 is an asymmetric view thereof;

FIG. 8 is a left side view of the second embodiment of a lever for hospital bed showing my new design;

FIG. 9 is a front elevational view thereof;

FIG. 10 is a right side view elevational view thereof;

FIG. 11 is a rear elevational view thereof;

FIG. 12 is a top plan view thereof;

FIG. 13 is a bottom view thereof; and,

FIG. 14 is an asymmetric view thereof.

1 Claim, 4 Drawing Sheets

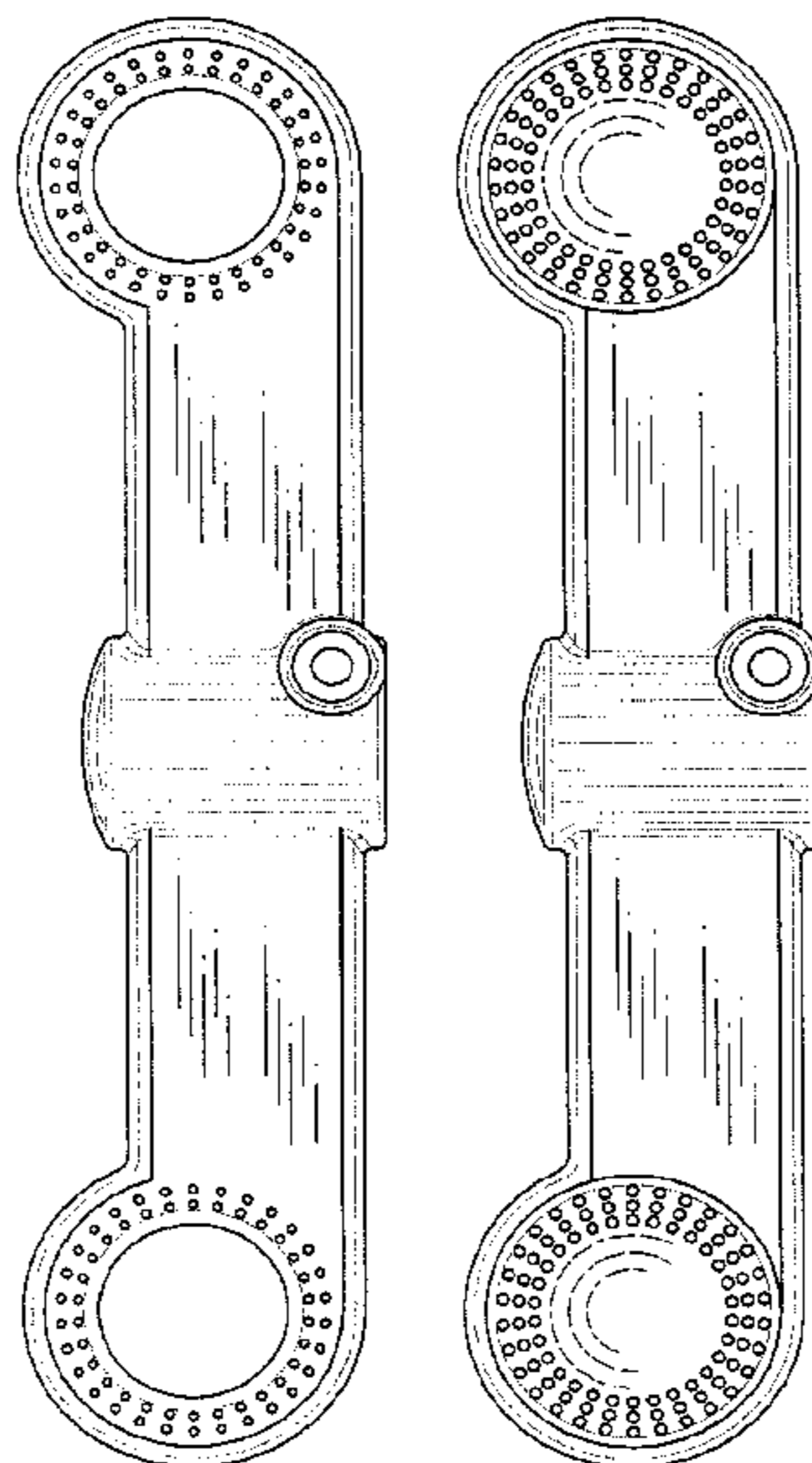


Fig. 1

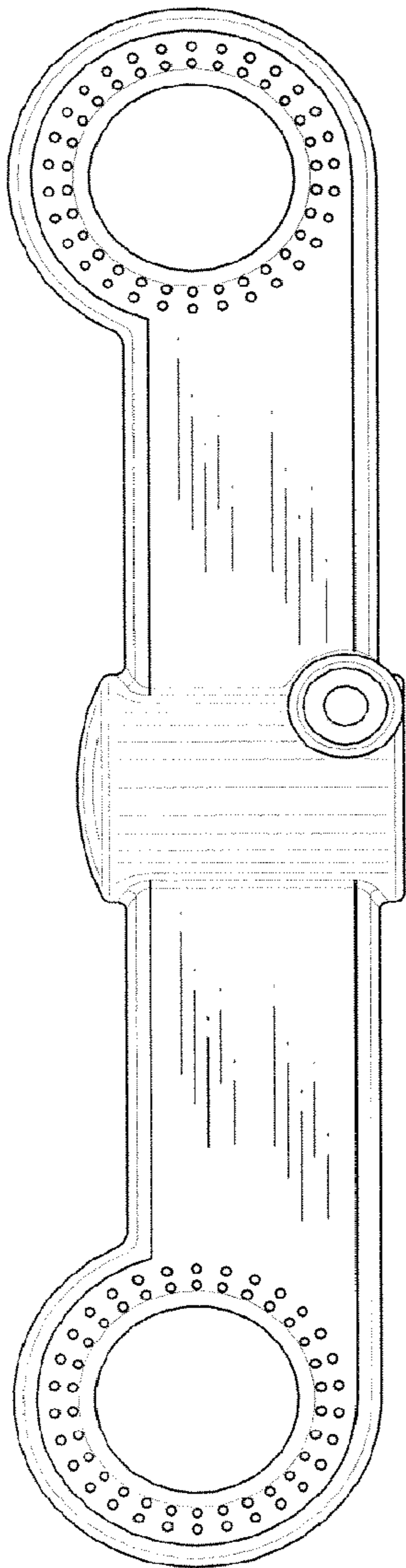


Fig. 2

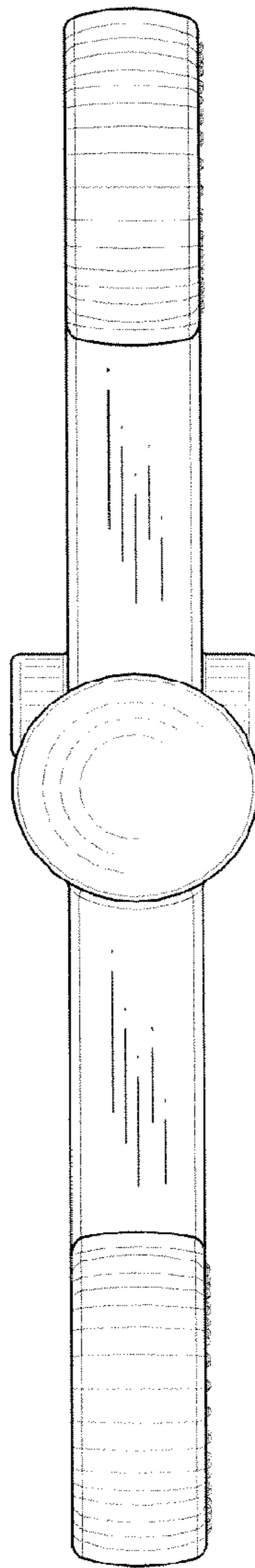


Fig. 3

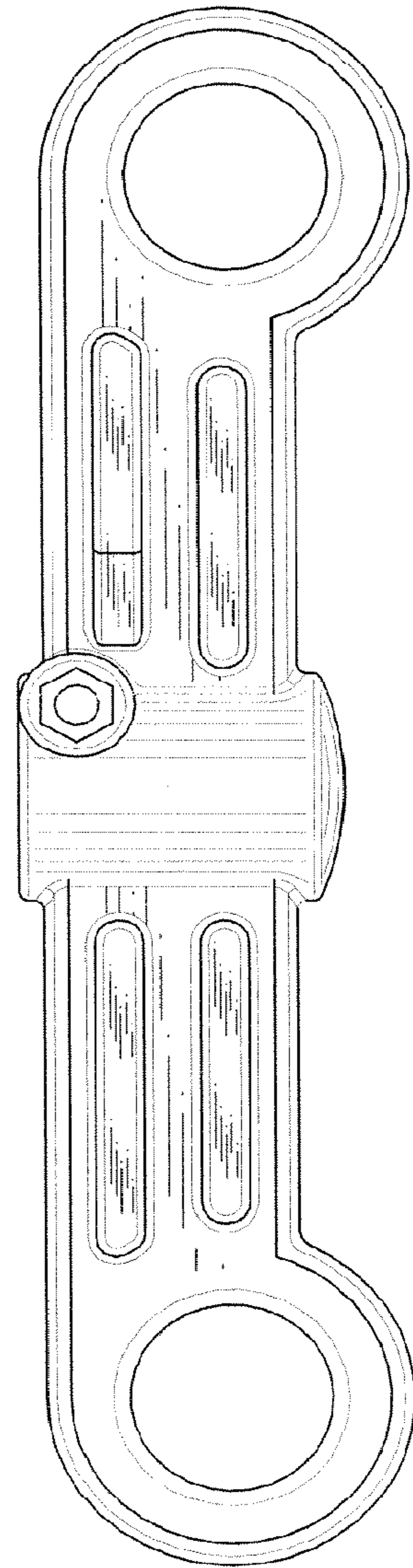


Fig. 4

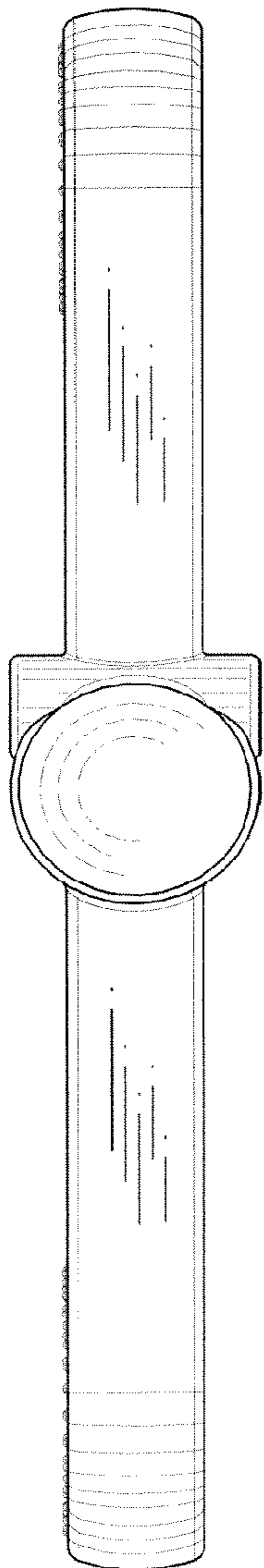


Fig. 5

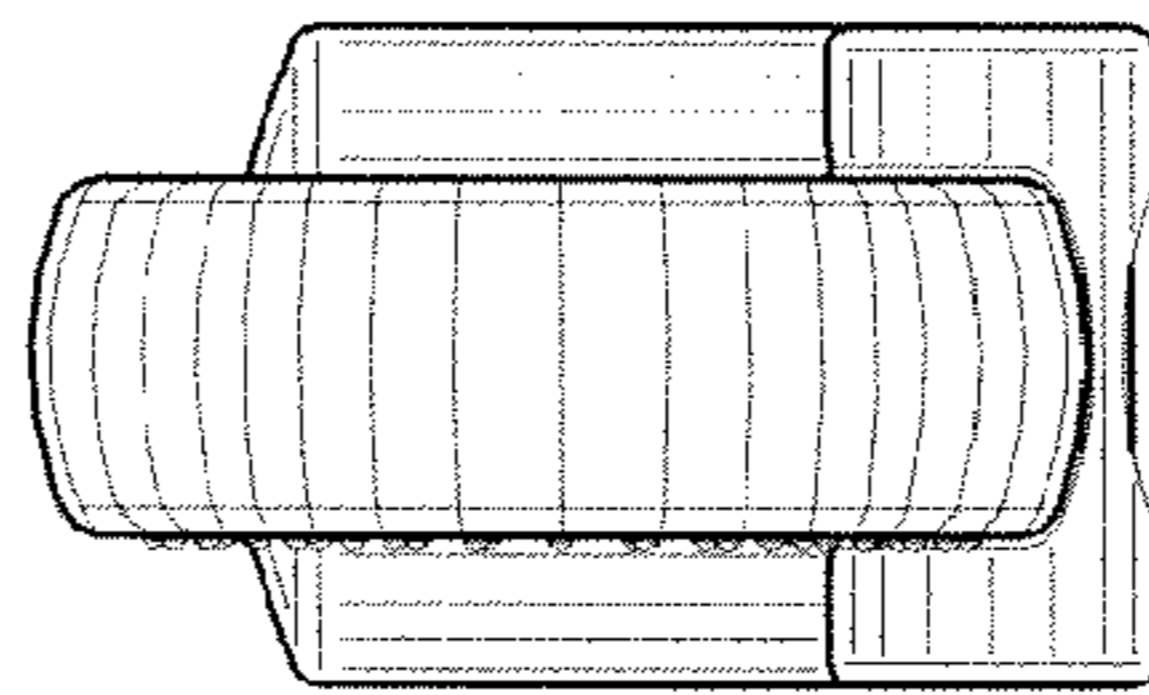


Fig. 6

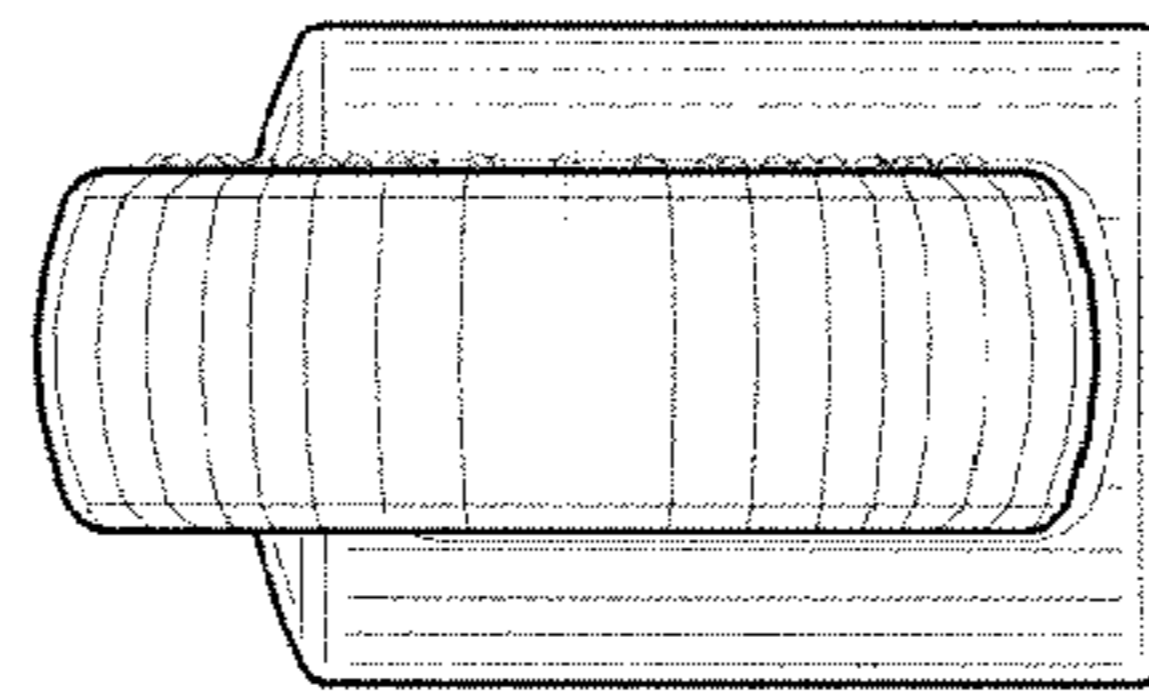


Fig. 7

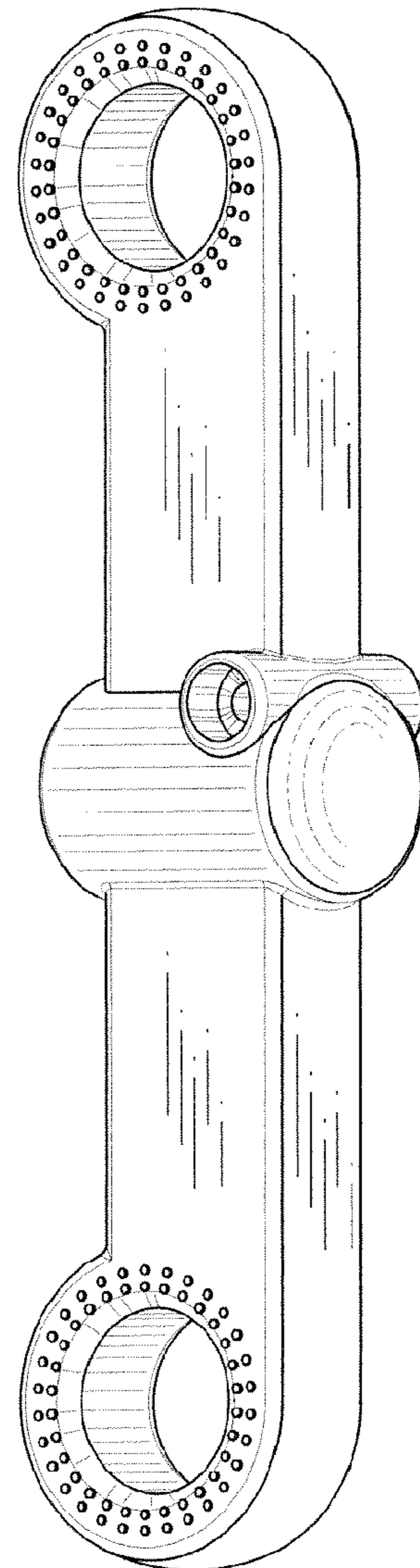


Fig. 8

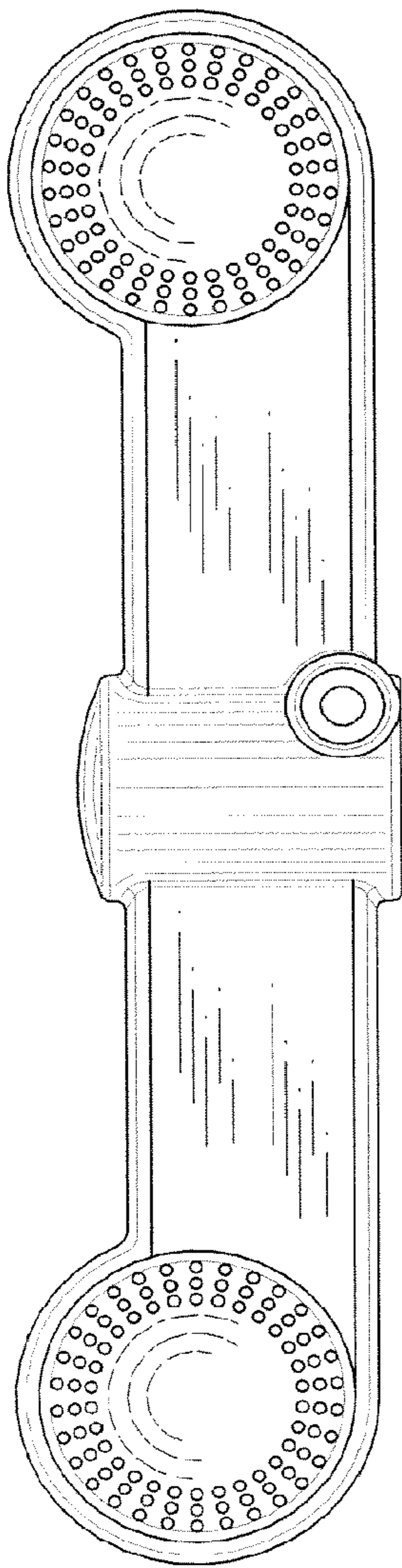


Fig. 9

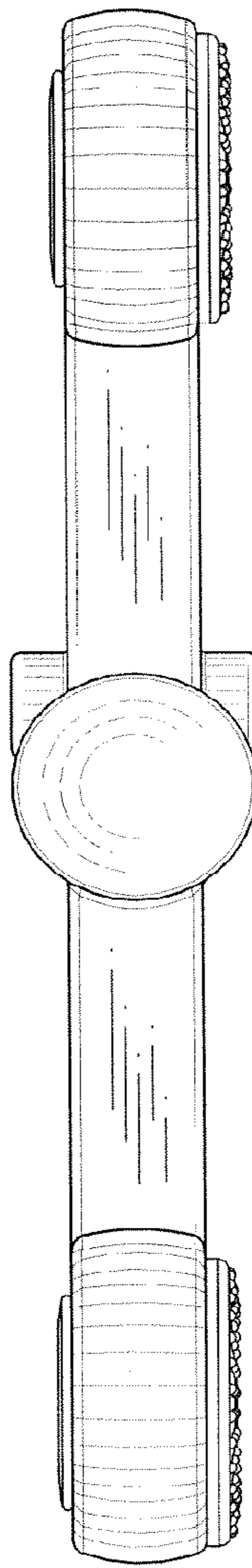


Fig. 10

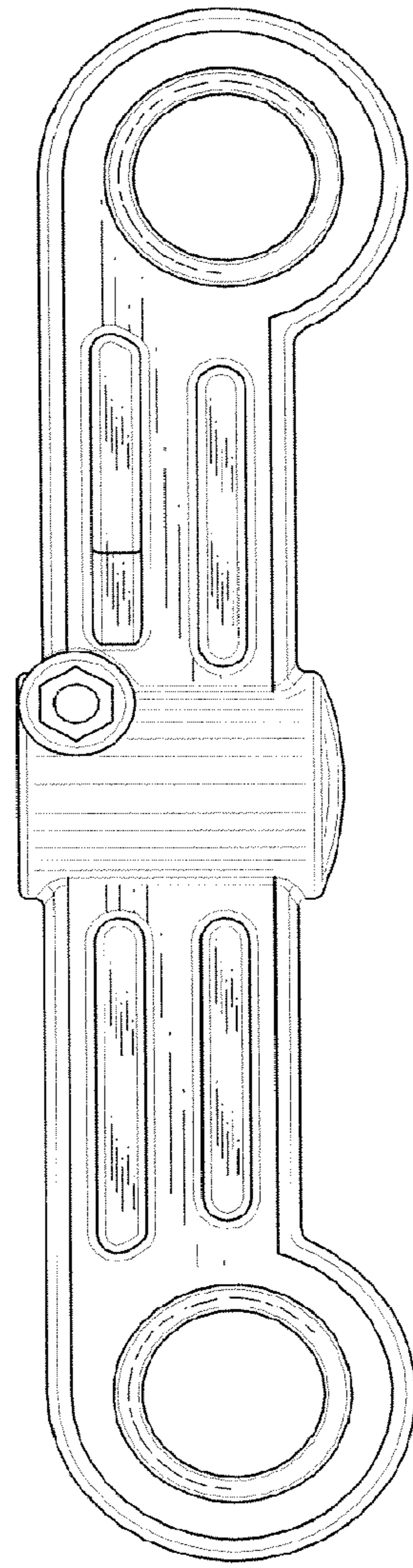


Fig. 11

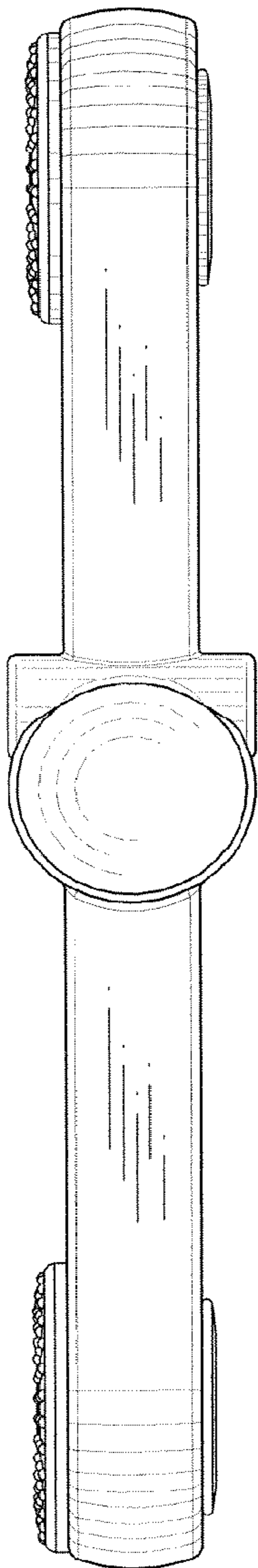


Fig. 12

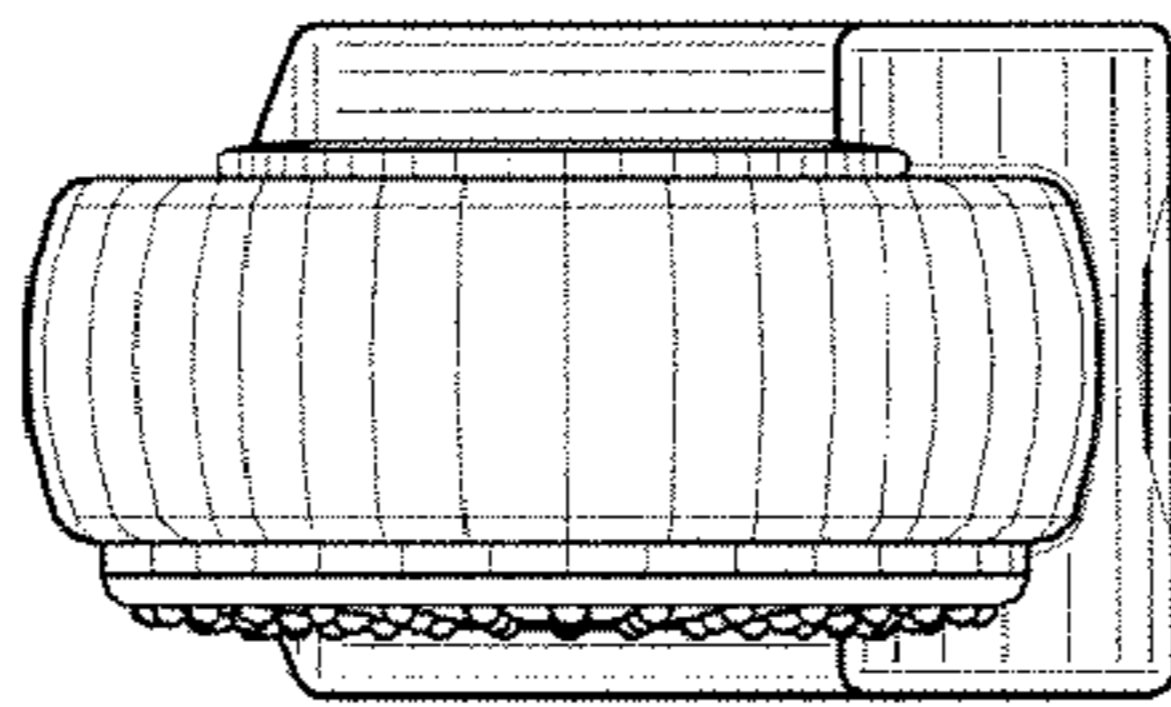


Fig. 13

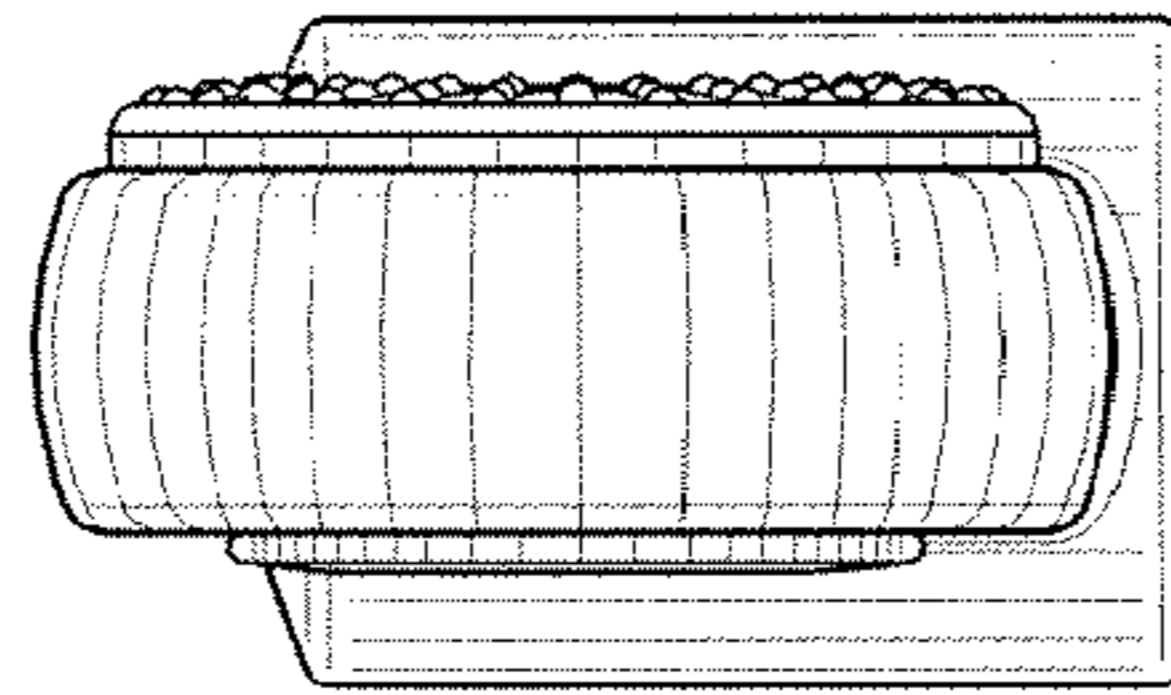


Fig. 14

