



US00D565923S

(12) **United States Design Patent**
Hoshimoto

(10) **Patent No.:** **US D565,923 S**

(45) **Date of Patent:** **** *Apr. 8, 2008**

(54) **HANDLE FOR A PANEL OF ELECTRICAL EQUIPMENT**

(75) Inventor: **Yasuo Hoshimoto**, Osaka (JP)

(73) Assignee: **Hoshimoto Co., Ltd.**, Ikuno-ku, Osaka (JP)

(*) Notice: This patent is subject to a terminal disclaimer.

(**) Term: **14 Years**

(21) Appl. No.: **29/253,467**

(22) Filed: **Feb. 8, 2006**

(30) **Foreign Application Priority Data**

Aug. 10, 2005 (JP) 2005-023186

(51) **LOC (8) Cl.** **08-06**

(52) **U.S. Cl.** **D8/302**

(58) **Field of Classification Search** D8/301-302, D8/306-307, 331, 338, 350, 330, 339, 341, D8/343; 70/70, 153, 204, 208, 215, 58; 292/139, 292/142, 147, 173, 207, 228, 336.3, 337, 292/DIG. 30, DIG. 33; 296/146.2

See application file for complete search history.

(56) **References Cited**

U.S. PATENT DOCUMENTS

- 3,044,815 A * 7/1962 Soss 292/173
- 3,266,275 A * 8/1966 Atkinson 70/70
- 3,590,609 A * 7/1971 Atkinson 70/70
- D324,165 S * 2/1992 Bressler et al. D8/331
- D326,402 S * 5/1992 Nicholoulas D8/331
- 5,301,989 A * 4/1994 Dallmann et al. 292/142
- 5,685,181 A * 11/1997 Ramsauer 70/208

- D391,139 S * 2/1998 Gilliam D8/331
- D417,603 S * 12/1999 Schlack et al. D8/338
- 6,174,007 B1 * 1/2001 Schlack et al. 292/336.3
- 6,729,675 B2 * 5/2004 Lumpe et al. 296/146.2
- D515,400 S * 2/2006 Tozer D8/343
- D520,329 S * 5/2006 Schlack et al. D8/302
- 7,159,909 B1 * 1/2007 Hung 292/336.3

* cited by examiner

Primary Examiner—Paula A. Greene

(74) *Attorney, Agent, or Firm*—Birch, Stewart, Kolasch & Birch, LLP

(57) **CLAIM**

The ornamental design for a handle for a panel of electrical equipment, as shown and described.

DESCRIPTION

FIG. 1 is a front view of a handle for a panel of electrical equipment showing my new design, the rear view being a mirror image thereof;

FIG. 2 is a top view thereof;

FIG. 3 is a bottom view thereof;

FIG. 4 is a right side view thereof;

FIG. 5 is a left side view thereof;

FIG. 6 is a sectional view thereof, being taken along line A—A of FIG. 2, inside of the article being simplified;

FIG. 7 is a sectional view thereof, being taken along line B—B of FIG. 2, inside of the article being simplified; and,

FIG. 8 is a front view thereof, in elevation of the lever.

The broken lines shown in FIGS. 1-8 are for illustrative purposes only and form no part of the claimed design.

1 Claim, 8 Drawing Sheets

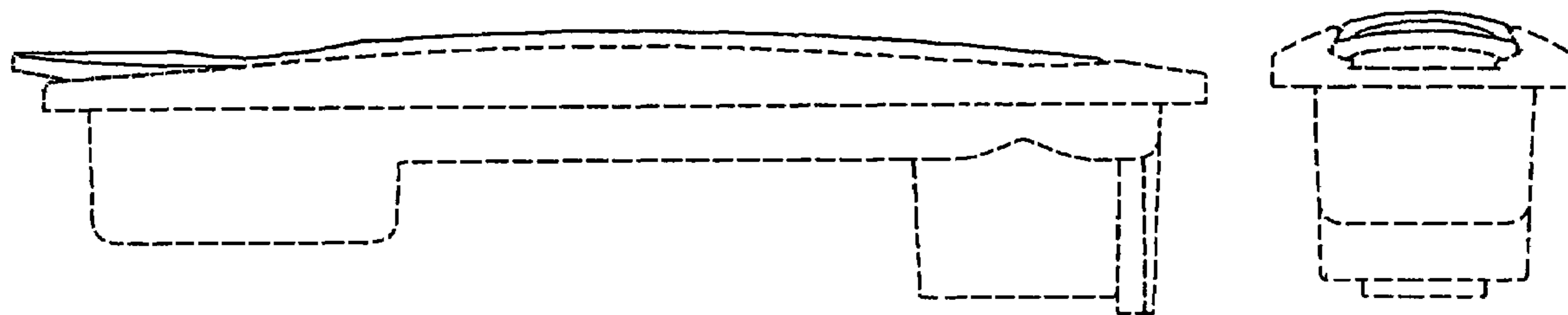


FIG1

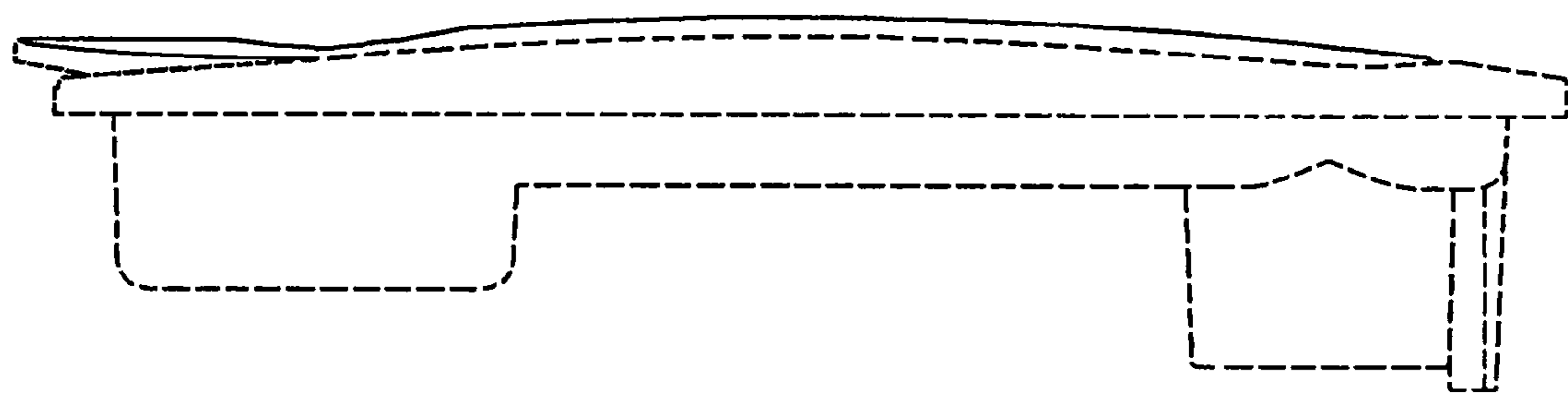


FIG2

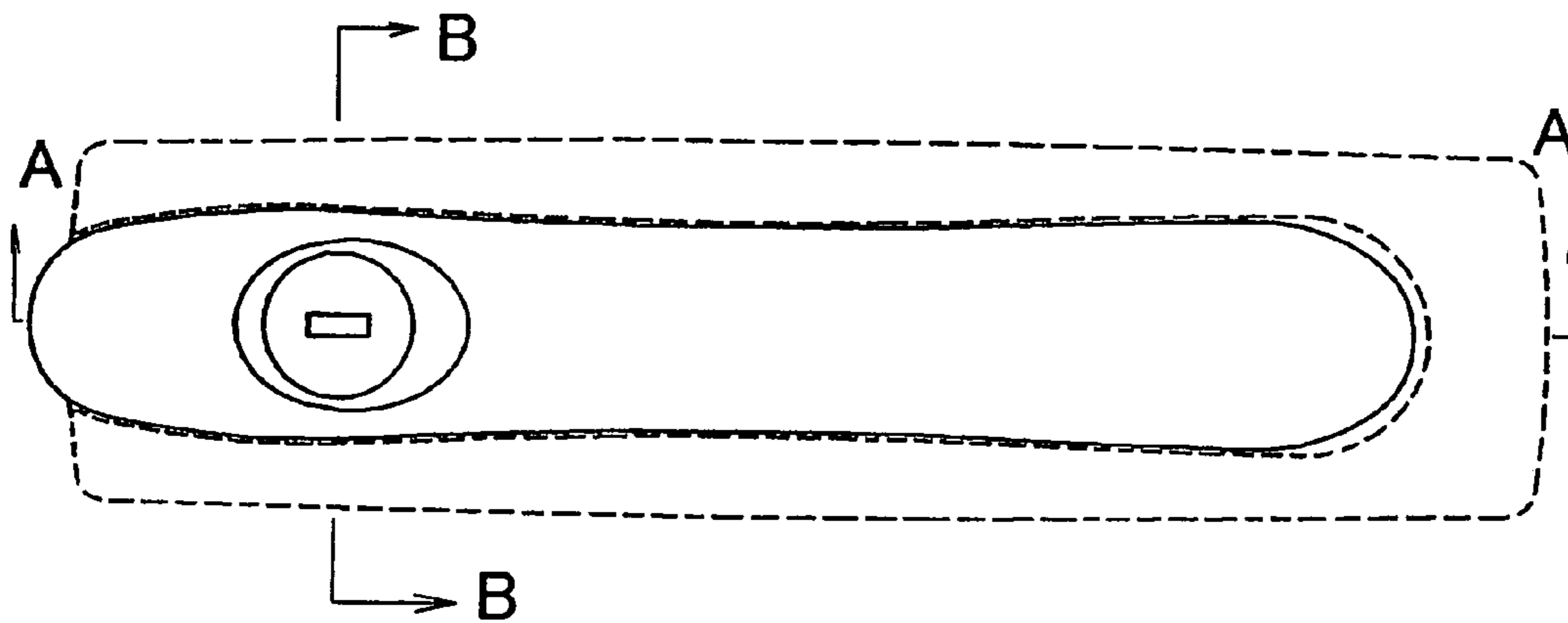


FIG3

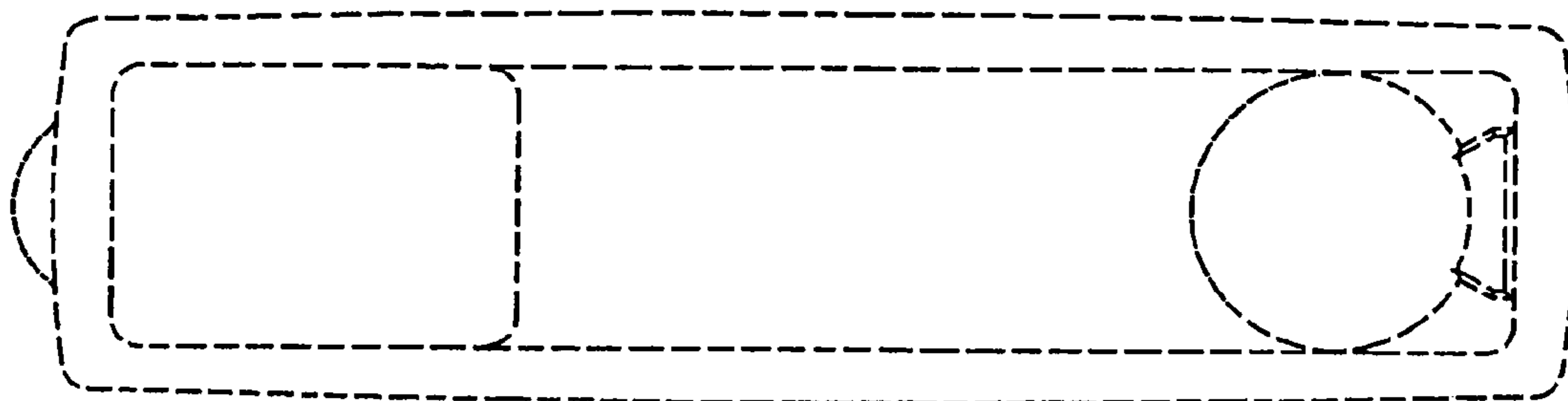


FIG4

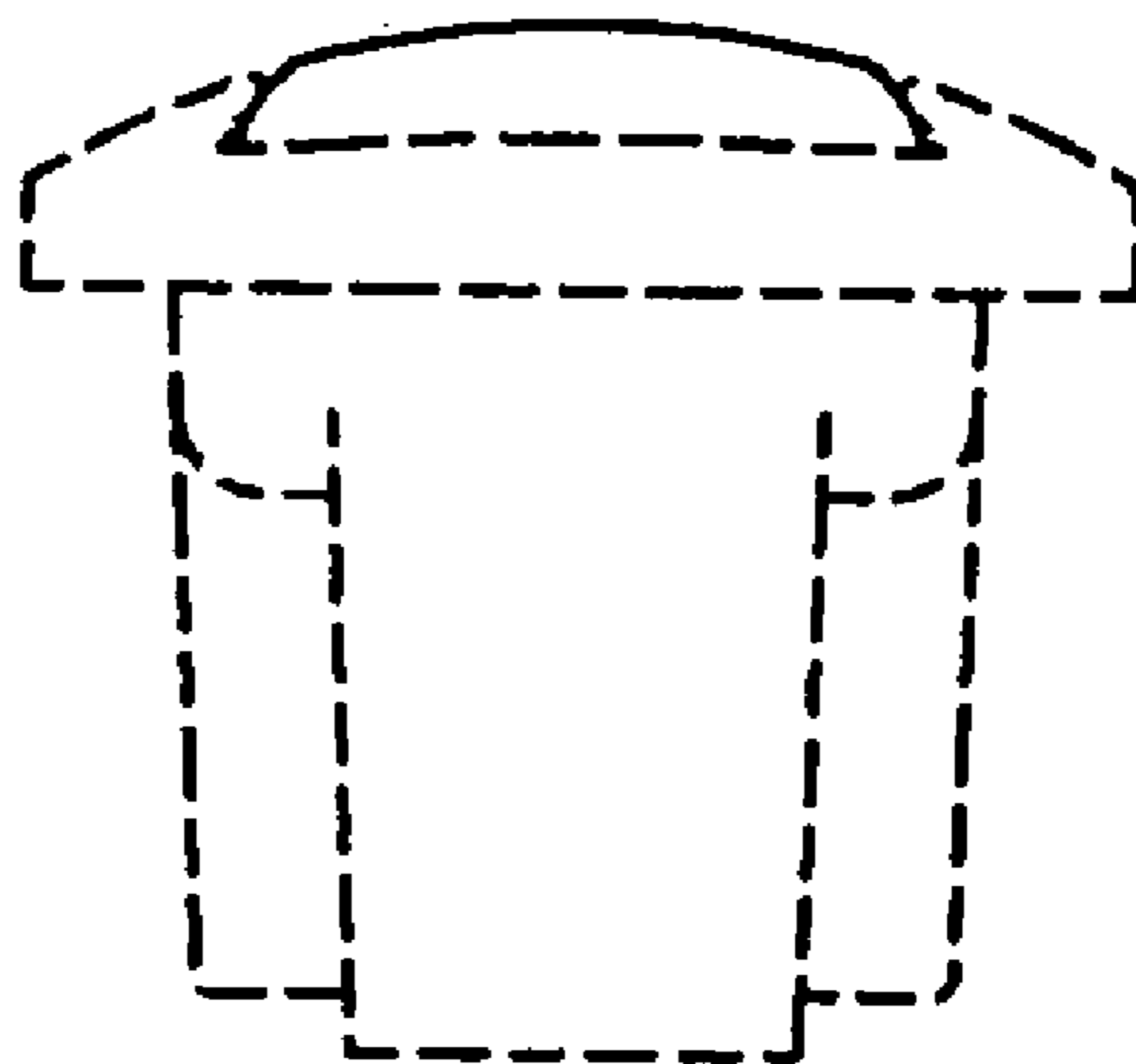


FIG 5

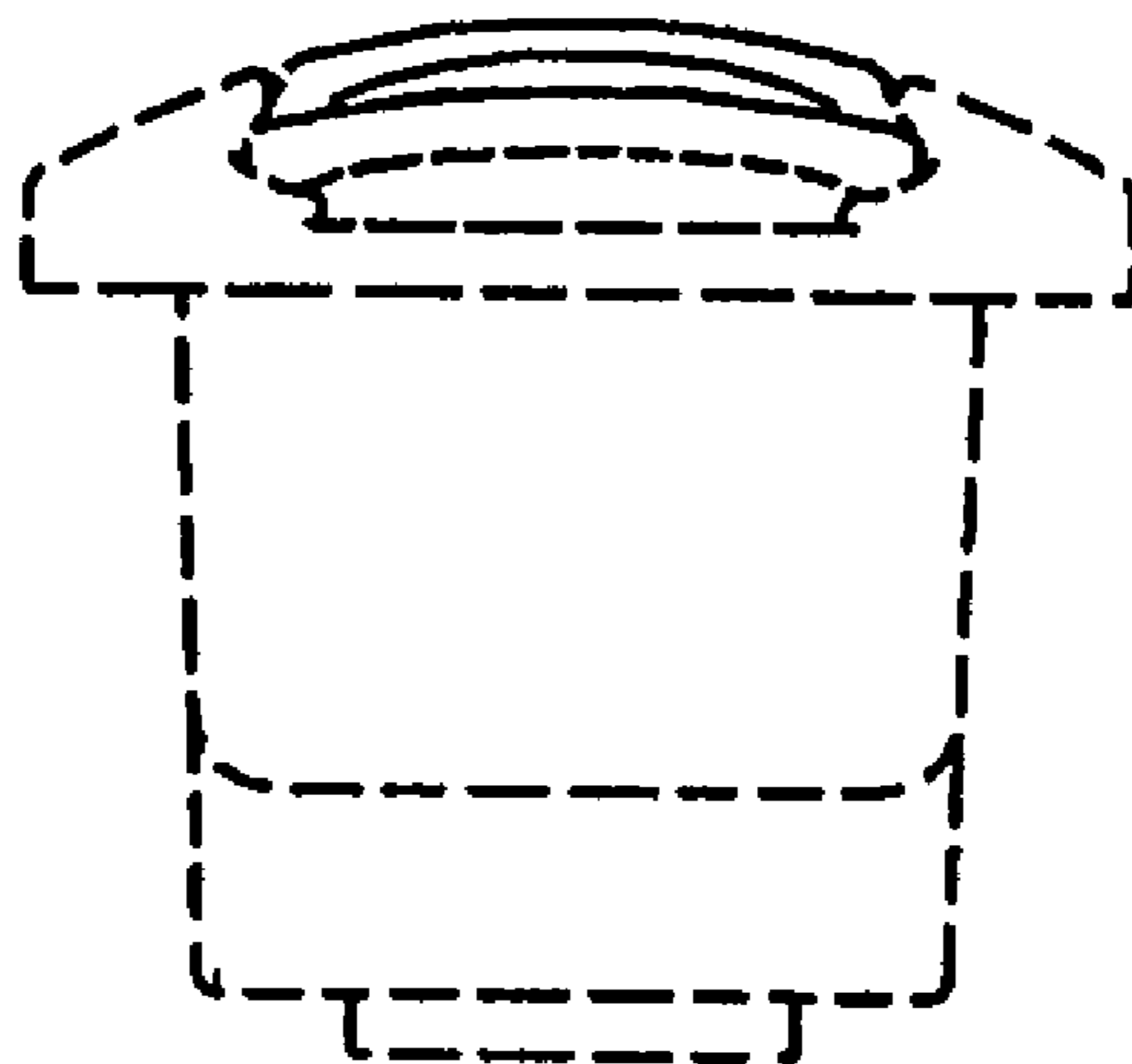


FIG6

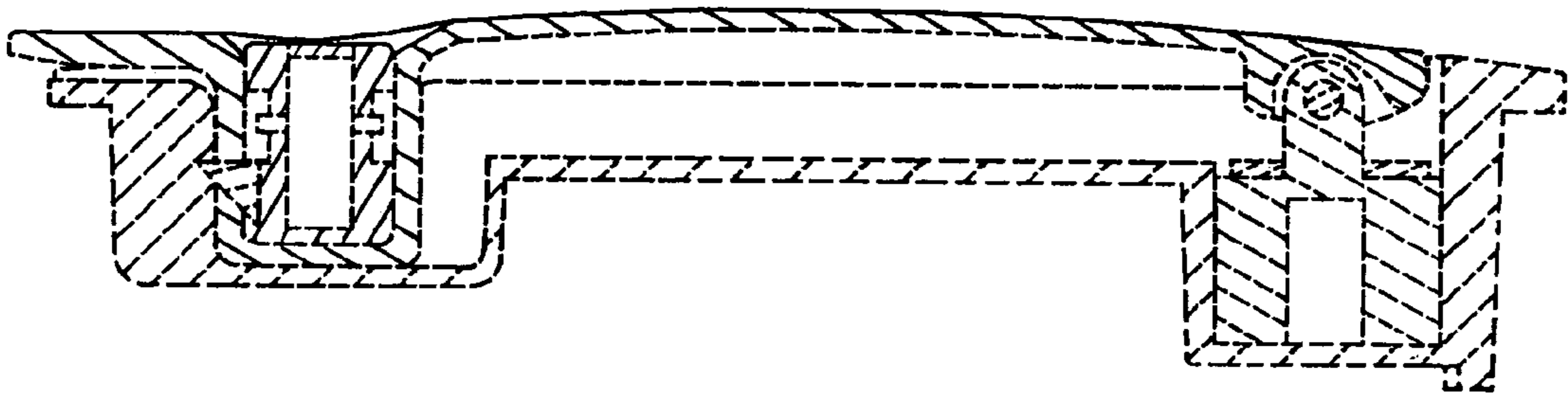


FIG 7

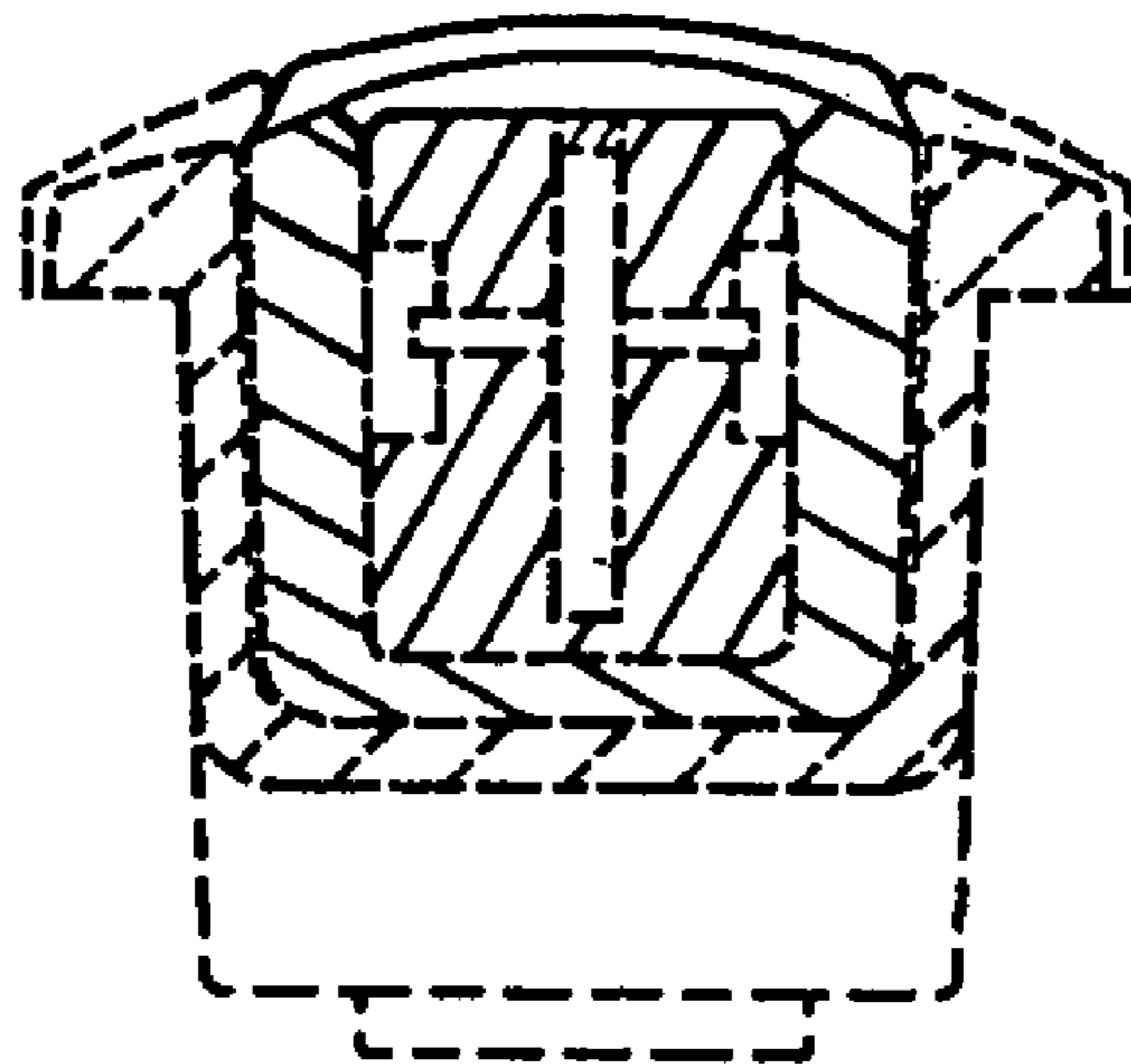


FIG8

