

US00D565921S

(12) **United States Design Patent**
Bruno et al.

(10) **Patent No.:** **US D565,921 S**

(45) **Date of Patent:** **** Apr. 8, 2008**

- (54) **OFFSET HANDLE FOR TAPING KNIFE**
- (75) Inventors: **Robert Bruno**, Avon, CT (US); **Frank Sterpka**, West Hartford, CT (US); **Matthew Earle Myers**, Naperville, IL (US)
- (73) Assignee: **United States Gypsum Company**, Chicago, IL (US)

D277,927 S *	3/1985	Zieglmeier	D8/45
D282,716 S	2/1986	Heinis et al.	
4,719,660 A	1/1988	Hopkins	
D319,379 S	8/1991	Cummings et al.	
D342,872 S *	1/1994	Kanerva	D7/691
5,390,572 A	2/1995	Gakhar et al.	
D375,035 S *	10/1996	Mangol	D8/107
D376,522 S *	12/1996	Tena	D8/45
5,615,445 A	4/1997	Kelsay et al.	

- (**) Term: **14 Years**
- (21) Appl. No.: **29/291,264**
- (22) Filed: **Aug. 22, 2007**

Related U.S. Application Data

- (62) Division of application No. 29/270,679, filed on Dec. 29, 2006, now Pat. No. Des. 553,939.

- (51) **LOC (8) Cl.** **08-05**
- (52) **U.S. Cl.** **D8/107**
- (58) **Field of Classification Search** D8/11-101, D8/107, DIG. 7; D7/393, 395, 688, 693; 15/235.3, 236.01; 16/DIG. 12, DIG. 18, 16/DIG. 19, 110.1, 421, 422, 430, 431, 435; 81/177.1, 436-439, 489-492, 60-62, 63.1; 192/43.2

See application file for complete search history.

(56) **References Cited**

U.S. PATENT DOCUMENTS

D84,898 S *	8/1931	Martinet	D32/34
D148,920 S *	3/1948	Eisenberg	D32/48
D157,904 S	3/1950	Reusch	
D206,517 S	12/1966	Han	
3,971,094 A	7/1976	Solf et al.	

(Continued)

Primary Examiner—Cathron Brooks
Assistant Examiner—Barbara Fox
 (74) *Attorney, Agent, or Firm*—Greer, Burns & Crain, Ltd.; David F. Janci, Esq.; Pradip Sahu, Esq.

(57) **CLAIM**

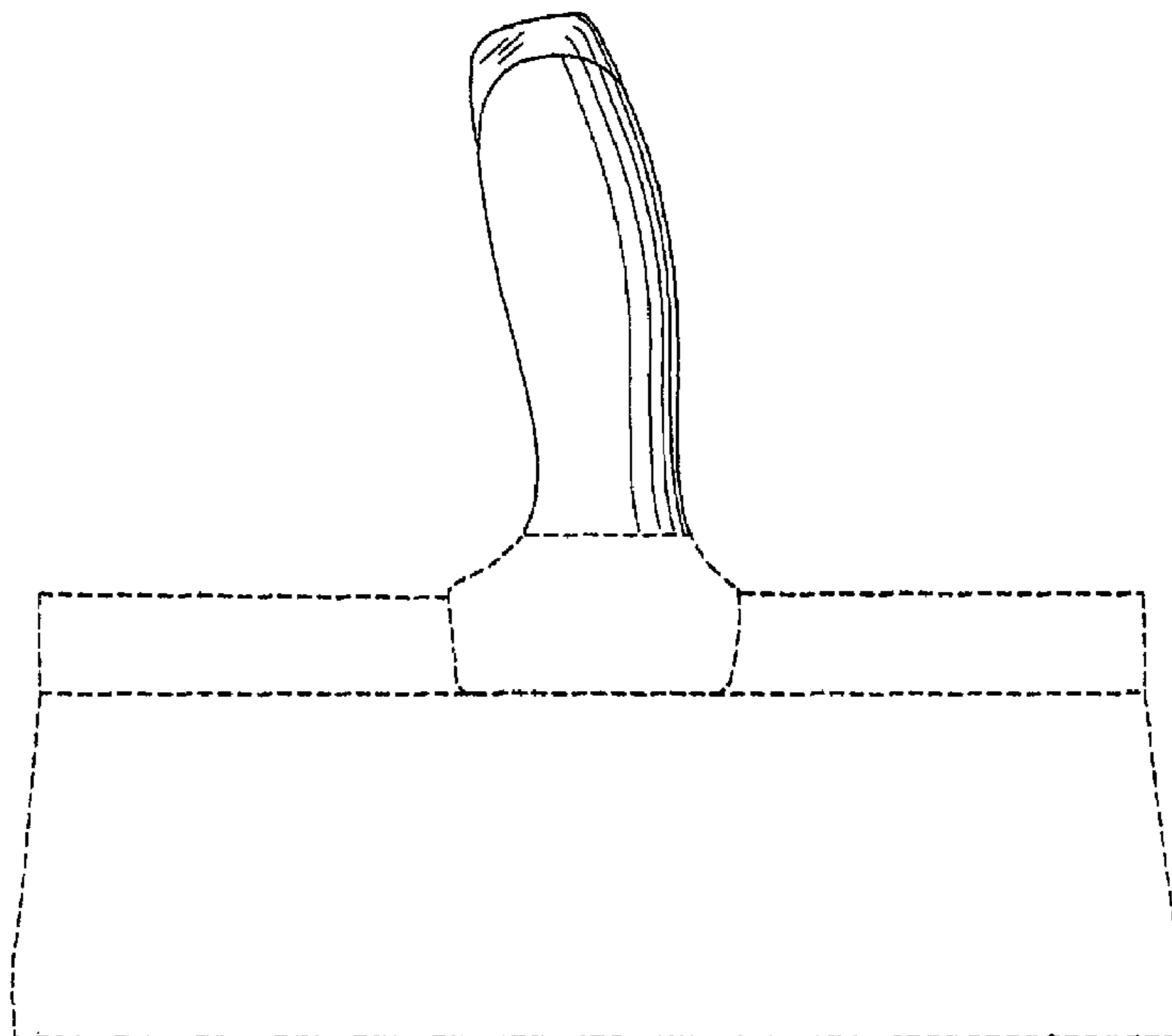
The ornamental design for an offset handle for a taping knife, as shown and described.

DESCRIPTION

FIG. 1 is a front view of an offset handle for taping knife showing our new design;
 FIG. 2 is a rear view thereof;
 FIG. 3 is a left side view thereof;
 FIG. 4 is a right hand view thereof;
 FIG. 5 is a top view thereof;
 FIG. 6 is a bottom view thereof; and,
 FIG. 7 is a top perspective view thereof.

The subject matter depicted in broken lines is not intended to be part of the claimed invention and is shown only for environment purposes.

1 Claim, 5 Drawing Sheets



US D565,921 S

Page 2

U.S. PATENT DOCUMENTS

D389,720 S	1/1998	Warner et al.	6,668,751 B1	12/2003	Henke
D397,281 S	8/1998	Hsu et al.	D486,046 S	2/2004	Norton
5,850,663 A	12/1998	Hardy et al.	D486,993 S *	2/2004	McGuyer D7/395
5,920,943 A	7/1999	Barker	D487,219 S	3/2004	Chudy et al.
D414,395 S	9/1999	Panfili	D487,387 S	3/2004	Chen
5,956,799 A	9/1999	Panaccione et al.	6,742,215 B2	6/2004	Panfili et al.
D422,872 S *	4/2000	Thiebold D8/99	D494,830 S	8/2004	Konen
6,065,188 A *	5/2000	Wold et al. 16/430	D495,227 S	8/2004	Hung
6,131,290 A	10/2000	Chiou	D498,124 S	11/2004	Mitchell
D441,269 S	5/2001	Tsai	D500,600 S	1/2005	Hay et al.
D444,692 S	7/2001	Marquardt	D501,771 S *	2/2005	McGuyer D8/39
D446,104 S	8/2001	Chen	D506,658 S *	6/2005	Jimenez D8/45
D446,437 S	8/2001	Chen	D516,887 S *	3/2006	Miller D8/45
D447,040 S *	8/2001	Douglas et al. D8/107	D519,012 S *	4/2006	Miller D8/45
D462,251 S	9/2002	Collins et al.	D519,351 S *	4/2006	Lee D8/107
6,453,563 B1	9/2002	Farland	D526,159 S *	8/2006	Schmidt D7/393
D470,386 S *	2/2003	Giese et al. D8/107	D527,244 S	8/2006	Holby
RE38,093 E	4/2003	Chiou	D527,578 S *	9/2006	Schmidt D7/393
6,588,113 B2	7/2003	Bozikis et al.	D536,233 S	2/2007	Lin
D482,259 S	11/2003	Chen	D543,794 S *	6/2007	Lion et al. D7/650
6,647,629 B2	11/2003	Farland	D543,798 S *	6/2007	Lion et al. D7/688
D482,874 S	12/2003	Dotterman	D551,051 S *	9/2007	Wang D8/107
D483,244 S	12/2003	Chen	2003/0084545 A1	5/2003	Cheng
D483,638 S	12/2003	Jimenez	2007/0017052 A1	1/2007	Bruno et al.
D484,021 S	12/2003	Mariol			

* cited by examiner

FIG.1

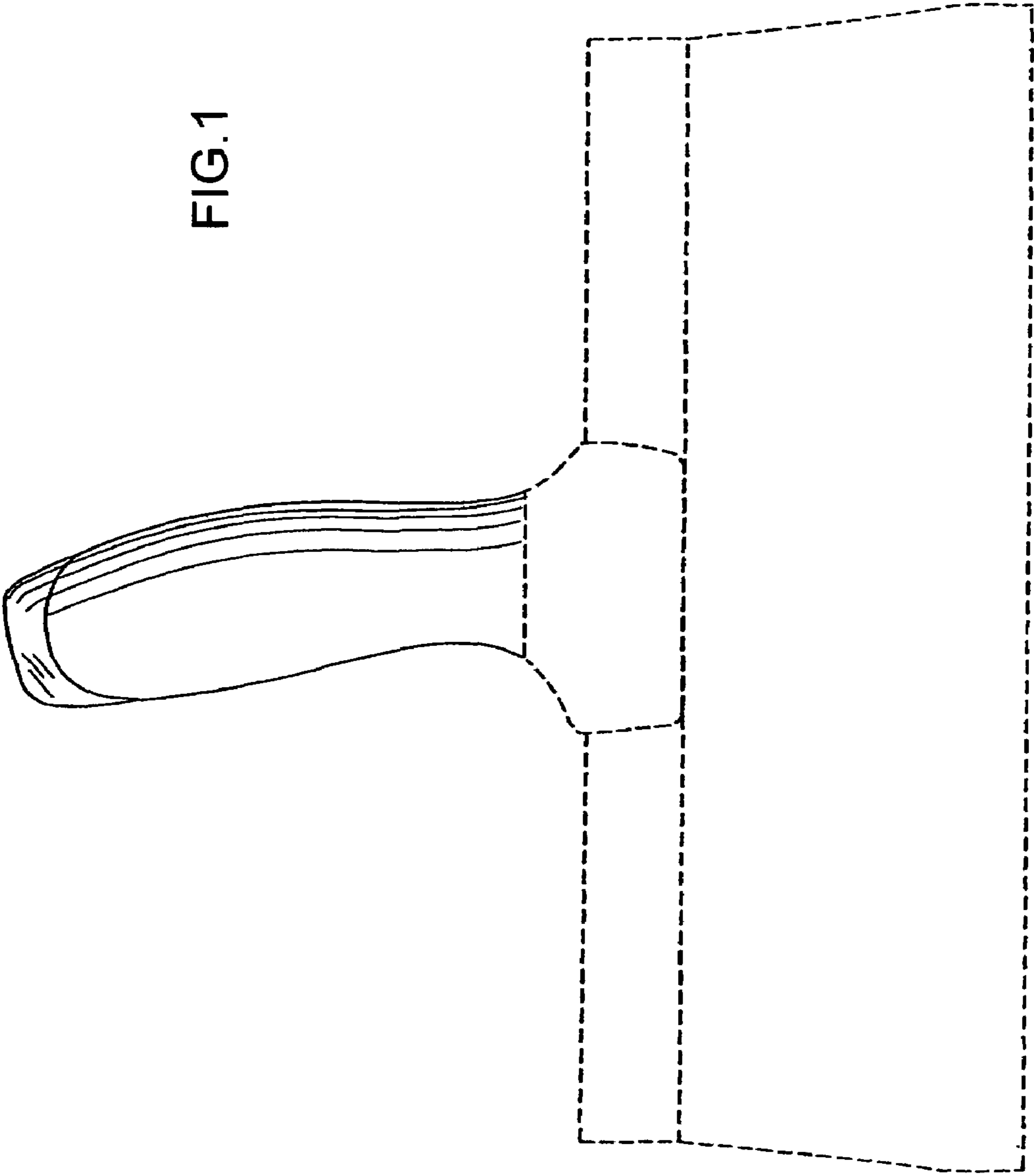


FIG.2

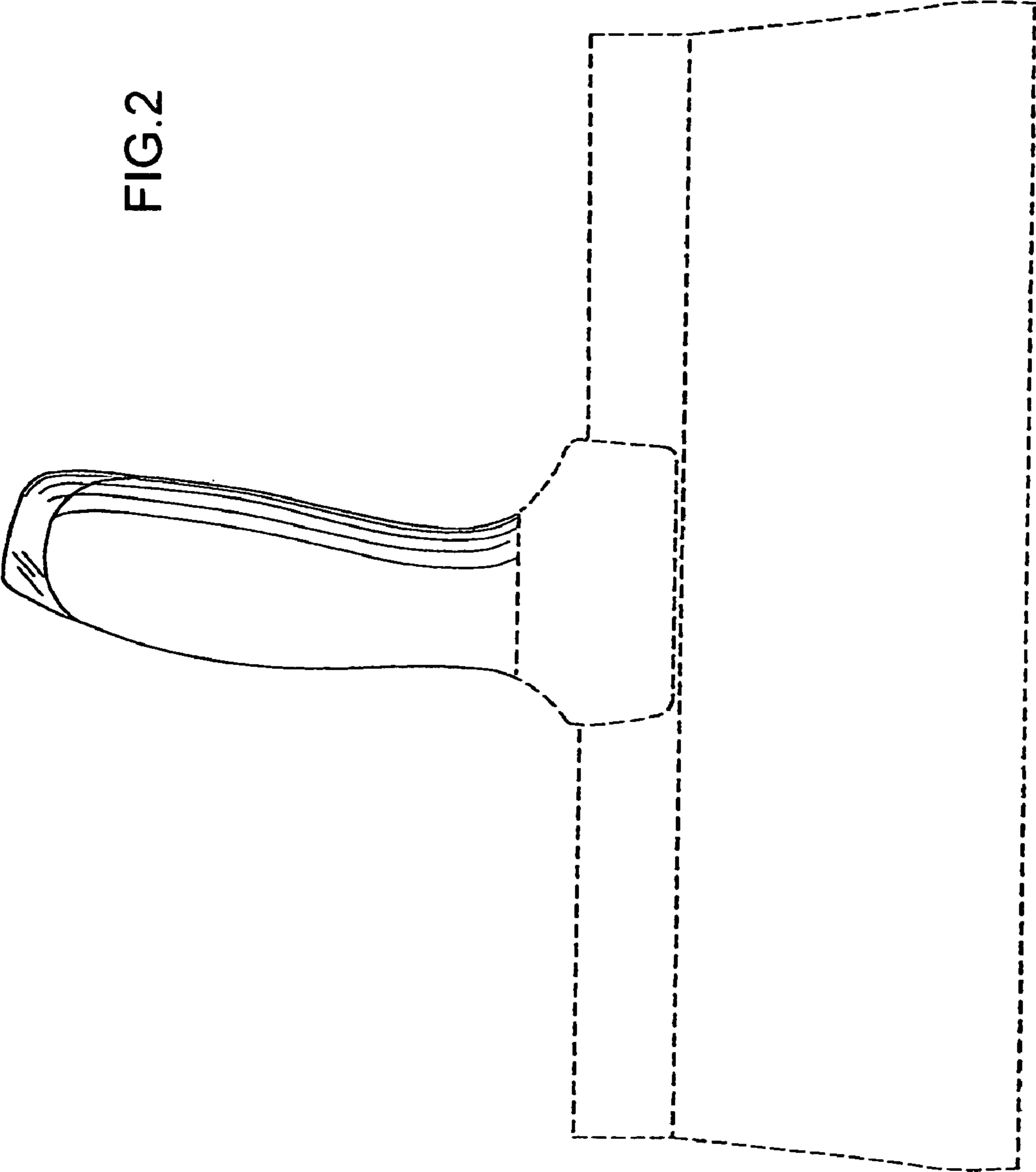


FIG. 3

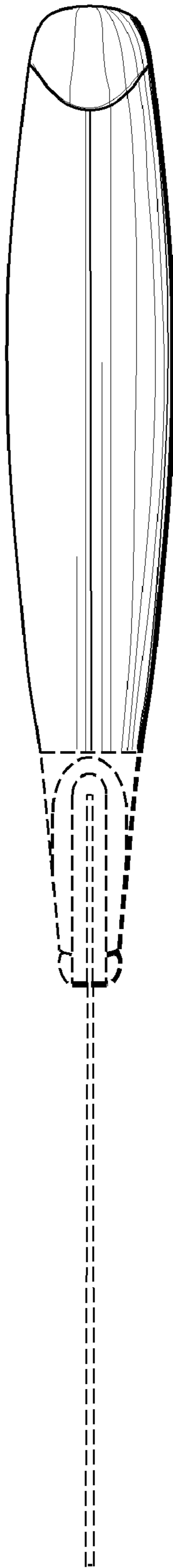
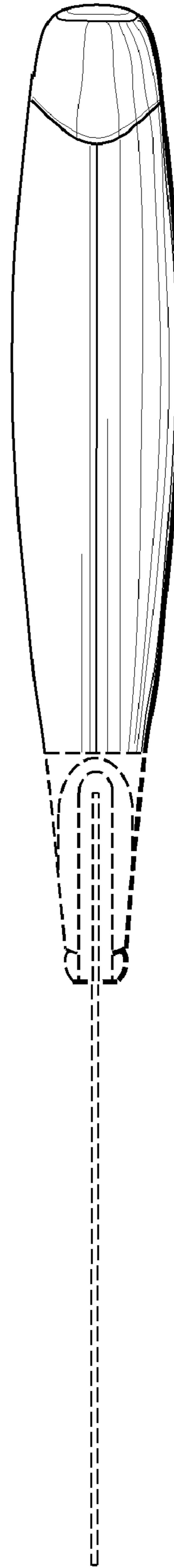


FIG. 4



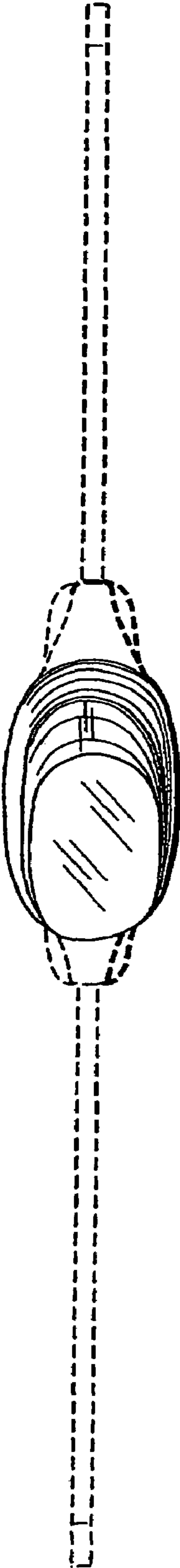


FIG. 5

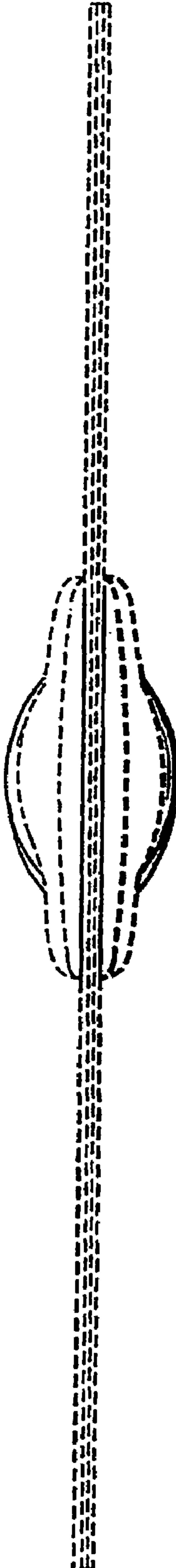


FIG. 6

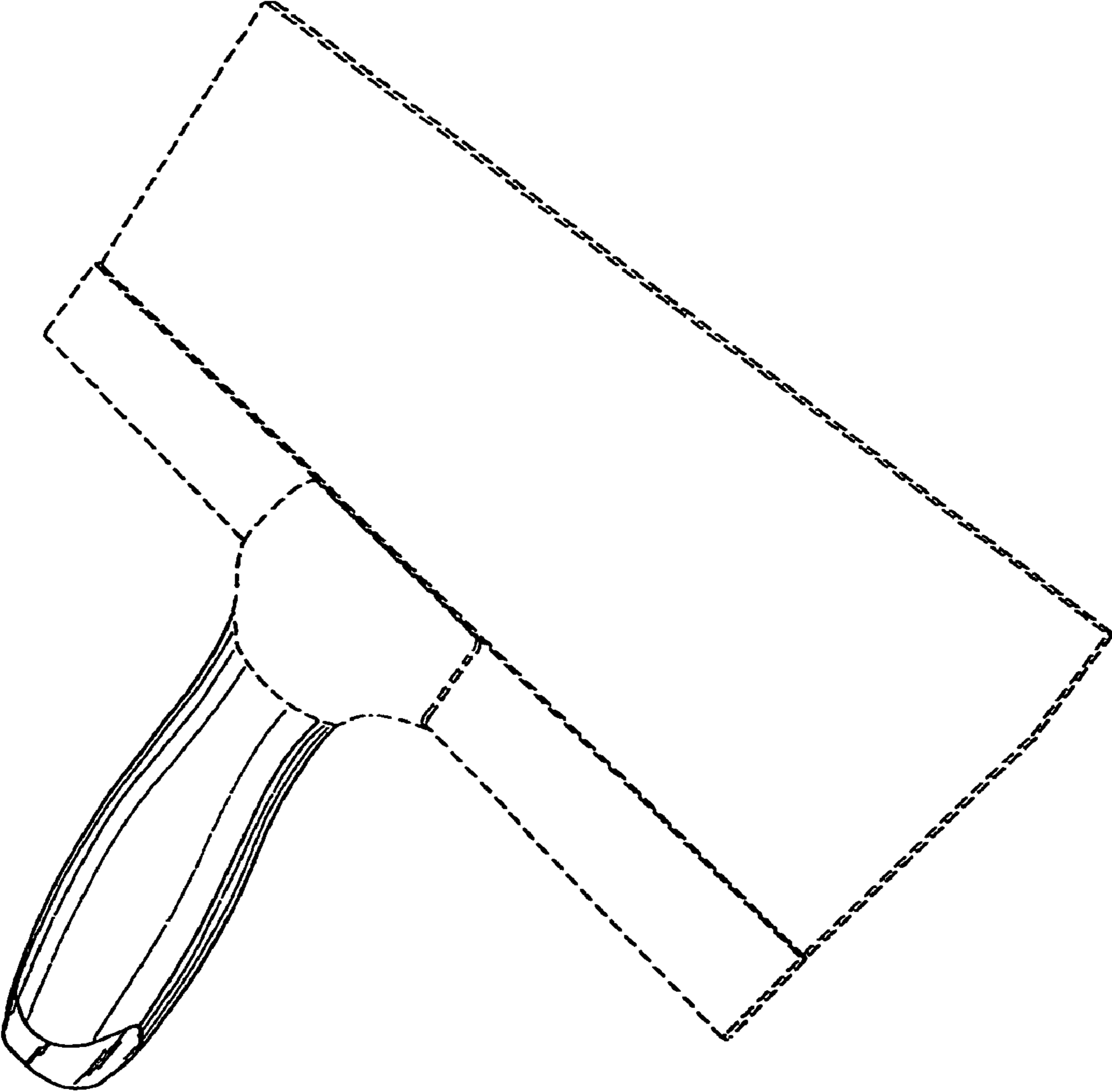


FIG. 7