



US00D565920S

(12) **United States Design Patent**  
**Bagley**

(10) **Patent No.:** **US D565,920 S**

(45) **Date of Patent:** **\*\* Apr. 8, 2008**

(54) **HANDLE FOR TOOL SYSTEM**

(75) Inventor: **Perry S. Bagley**, Cumming, GA (US)

(73) Assignee: **ProLabel, Inc.**, Cumming, GA (US)

(\*\*) Term: **14 Years**

(21) Appl. No.: **29/281,616**

(22) Filed: **Jun. 27, 2007**

(51) **LOC (8) Cl.** ..... **08-05**

(52) **U.S. Cl.** ..... **D8/107**

(58) **Field of Classification Search** ..... D8/107,  
D8/45, 25, 61, 64-69, 98-99, 303, 312, 14.1,  
D8/14, 75-80, 82-87, 21-29, 33, 101, 10,  
D8/7; 81/19-23, 26, 60, 177.1, 177.8, 177 M,  
81/177 N, 177 G, 177.9, 62, 489, 417, 110.1,  
81/421, 422, 426, 430, 431; 16/110.1, 421,  
16/422, 426, 430, 431, 436-440, DIG. 19;  
30/166 R, 340, 143, 169, 167, 289, 294,  
30/125, 392-394, 514, 517; D4/138, 199  
See application file for complete search history.

(56) **References Cited**

**U.S. PATENT DOCUMENTS**

D51,641 S *	1/1918	Hargrave	.....	D8/82
2,389,882 A *	11/1945	Wood, Jr.	.....	30/340
D167,775 S *	9/1952	Schmidt	.....	D4/132
2,617,142 A *	11/1952	Cadwell et al.	.....	294/139
2,712,765 A *	7/1955	Knight, Jr.	.....	81/58.3
D199,520 S *	11/1964	Jones	.....	D4/129
D212,668 S *	11/1968	Miller	.....	D4/132
D240,678 S *	7/1976	Herig	.....	D4/138
D255,845 S *	7/1980	Wood	.....	D4/132
D269,588 S *	7/1983	Ludwig	.....	D8/107
D279,254 S *	6/1985	Smith et al.	.....	D8/107
5,499,637 A *	3/1996	Foti	.....	132/200

5,520,073 A *	5/1996	Bakula et al.	.....	81/63.1
D388,684 S *	1/1998	Irwin	.....	D8/303
D413,784 S *	9/1999	Tsai	.....	D8/107
D414,672 S *	10/1999	Tsai	.....	D8/107
D429,072 S *	8/2000	Winge	.....	D4/132
D432,891 S *	10/2000	Sterling	.....	D8/107
D439,334 S *	3/2001	Hershberger et al.	.....	D24/133
6,363,578 B1 *	4/2002	Chang	.....	16/430
D459,645 S *	7/2002	Rothfus et al.	.....	D8/303
D468,618 S *	1/2003	Ho	.....	D8/107
D474,949 S *	5/2003	Schaffeld et al.	.....	D8/14.1
D527,531 S *	9/2006	Fruin	.....	D4/132
D544,331 S *	6/2007	Blehm	.....	D8/107

\* cited by examiner

*Primary Examiner*—Cathron Brooks

*Assistant Examiner*—Barbara Fox

(74) *Attorney, Agent, or Firm*—Thomas, Kayden,  
Horstemeyr & Risley LLP; Todd Deveau

(57) **CLAIM**

The ornamental design for a handle for tool system, as shown and described.

**DESCRIPTION**

FIG. 1 is a perspective view showing my new handle for tool system;

FIG. 2 is a side elevational view thereof;

FIG. 3 is a side elevational view thereof of the side opposite that of FIG. 2;

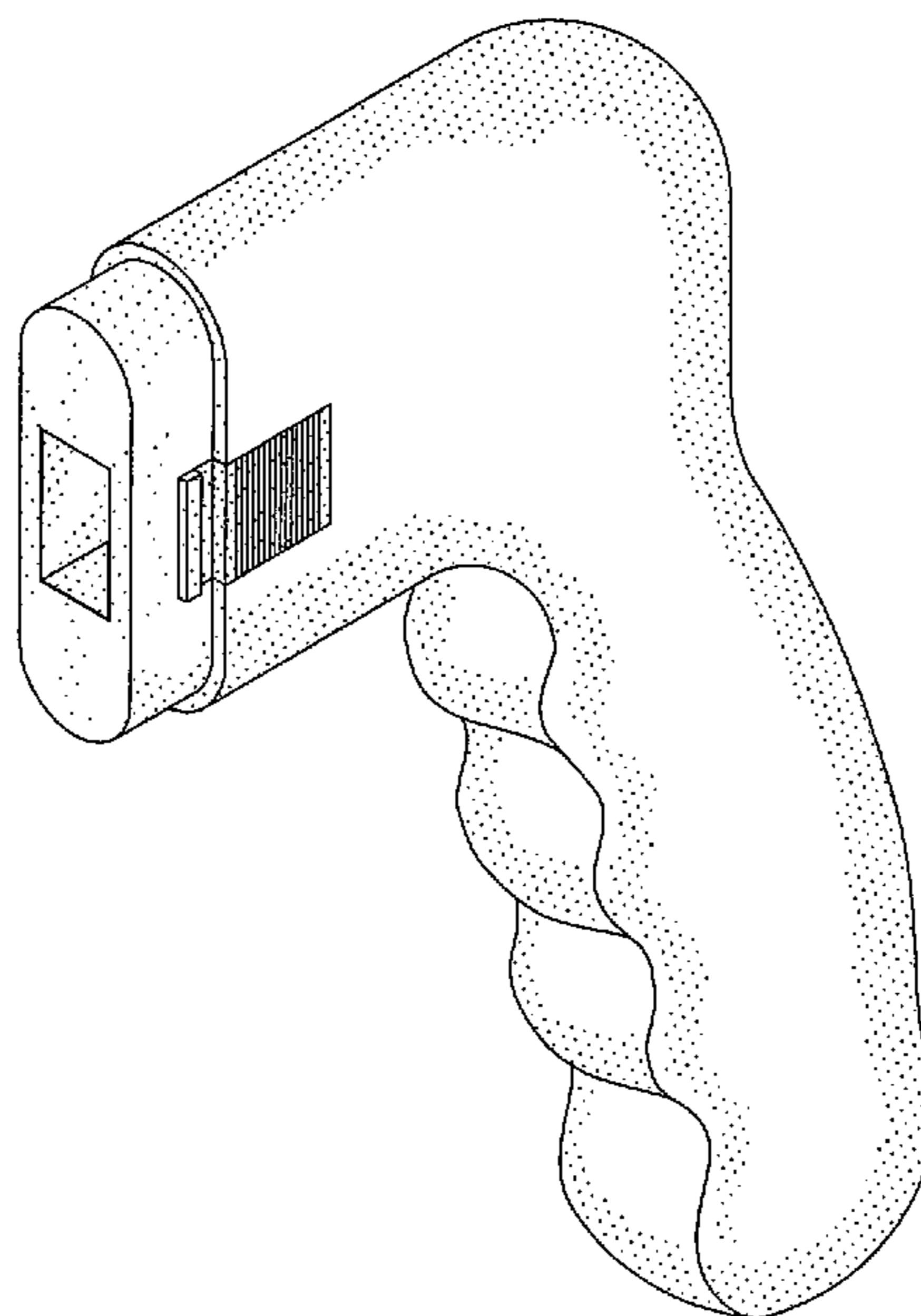
FIG. 4 is a front elevational view thereof;

FIG. 5 is a back elevational view thereof;

FIG. 6 is a top view thereof; and,

FIG. 7 is a bottom view thereof.

**1 Claim, 3 Drawing Sheets**



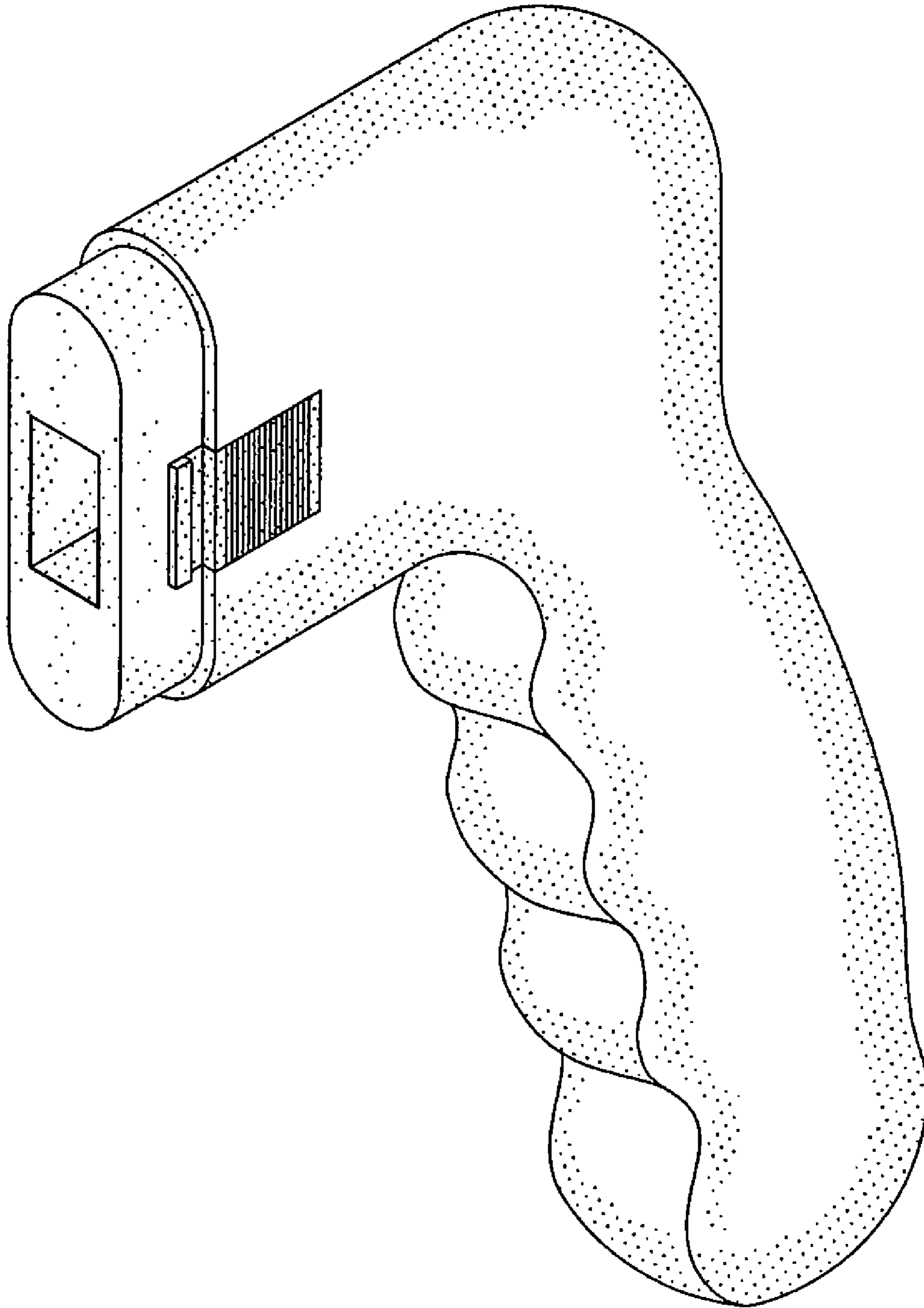


FIG. 1

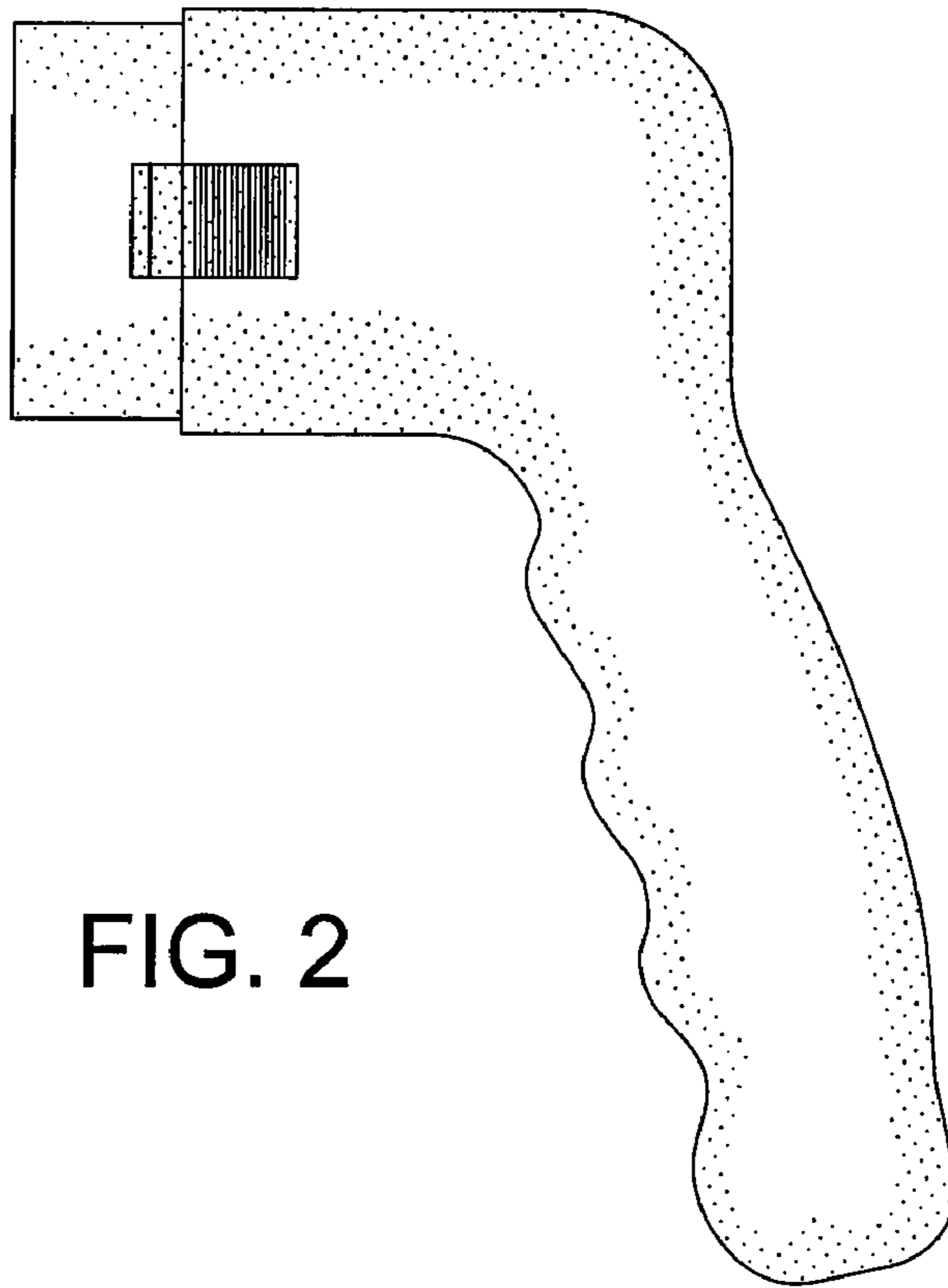


FIG. 2

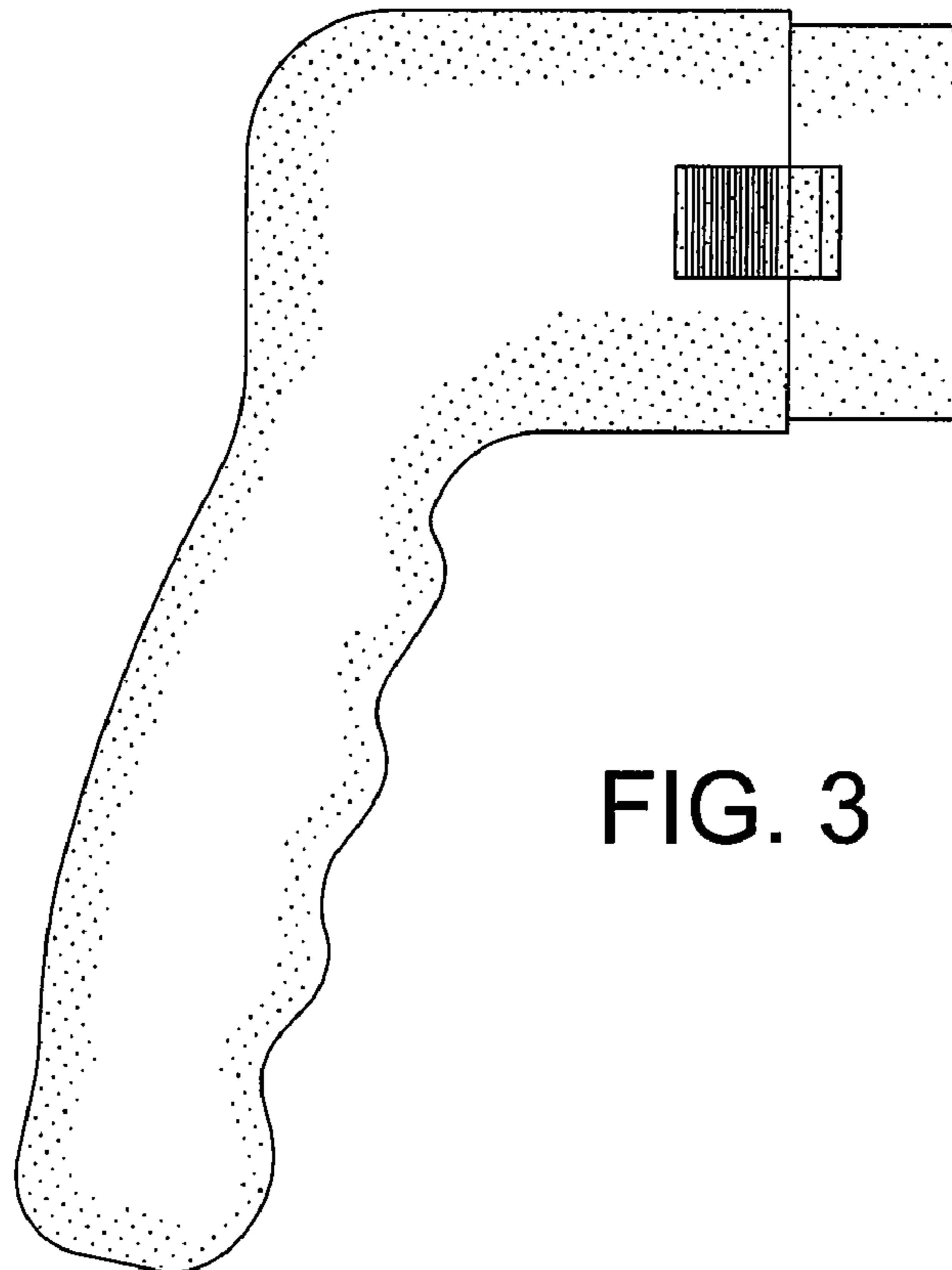


FIG. 3

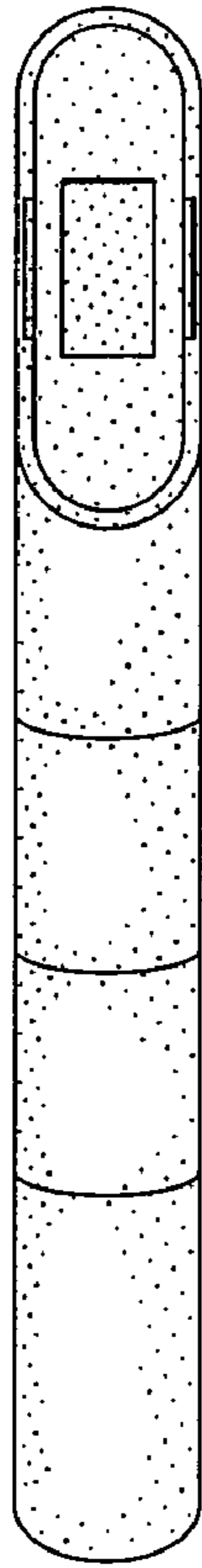


FIG. 4

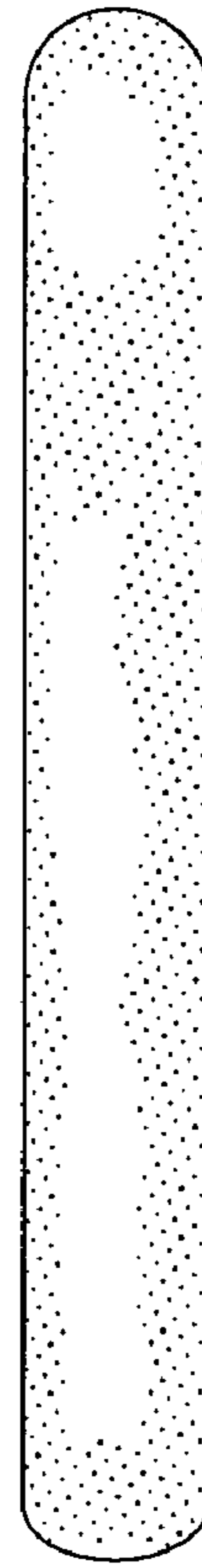


FIG. 5

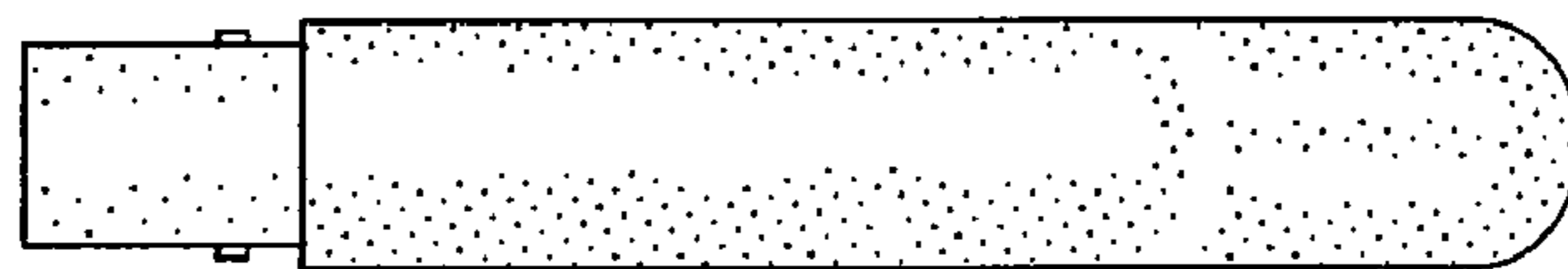


FIG. 6

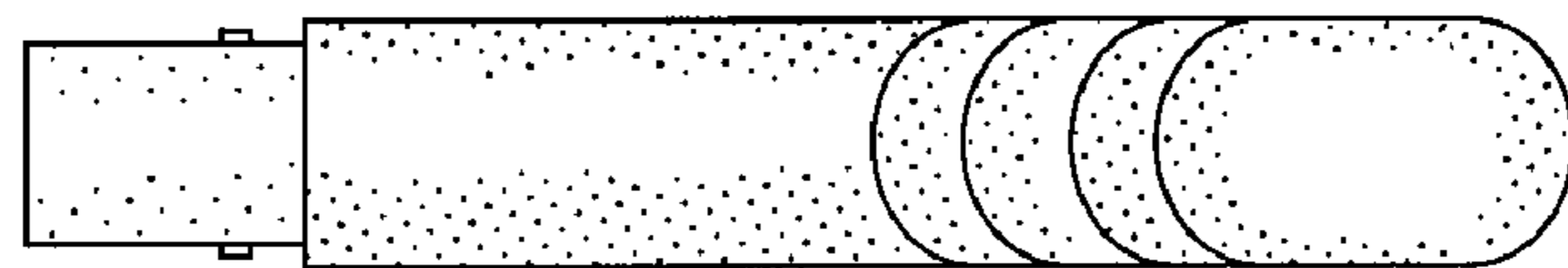


FIG. 7