



US00D565918S

(12) **United States Design Patent**
Onion

(10) **Patent No.:** **US D565,918 S**

(45) **Date of Patent:** **** Apr. 8, 2008**

(54) **KNIFE**

D533,043 S * 12/2006 Knight et al. D8/99

(76) Inventor: **Kenneth J. Onion**, 47-501 Hui Kelu St., Kaneohe, HI (US) 96744

* cited by examiner

(**) Term: **14 Years**

Primary Examiner—Philip S. Hyder
(74) *Attorney, Agent, or Firm*—Seed IP Law Group PLLC

(21) Appl. No.: **29/250,879**

(57) **CLAIM**

(22) Filed: **Dec. 4, 2006**

The ornamental design for a knife substantially, as shown and described.

(51) **LOC (8) Cl.** **08-03**

(52) **U.S. Cl.** **D8/99**

(58) **Field of Classification Search** D8/14,
D8/98, 99, 107; D22/118; 30/151, 152,
30/153, 154, 155, 156, 157, 158, 159, 160,
30/161, 162

See application file for complete search history.

DESCRIPTION

FIG. 1 is a perspective view of a folding knife, with the blade closed, showing my new design.

FIG. 2 is a perspective view thereof, showing the blade in an open position.

FIG. 3 is a rear elevational view thereof.

FIG. 4 is a front elevational view thereof.

FIG. 5 is a bottom plan view thereof.

FIG. 6 is a left side elevational view thereof.

FIG. 7 is a top plan view thereof; and,

FIG. 8 is a right side elevational view thereof.

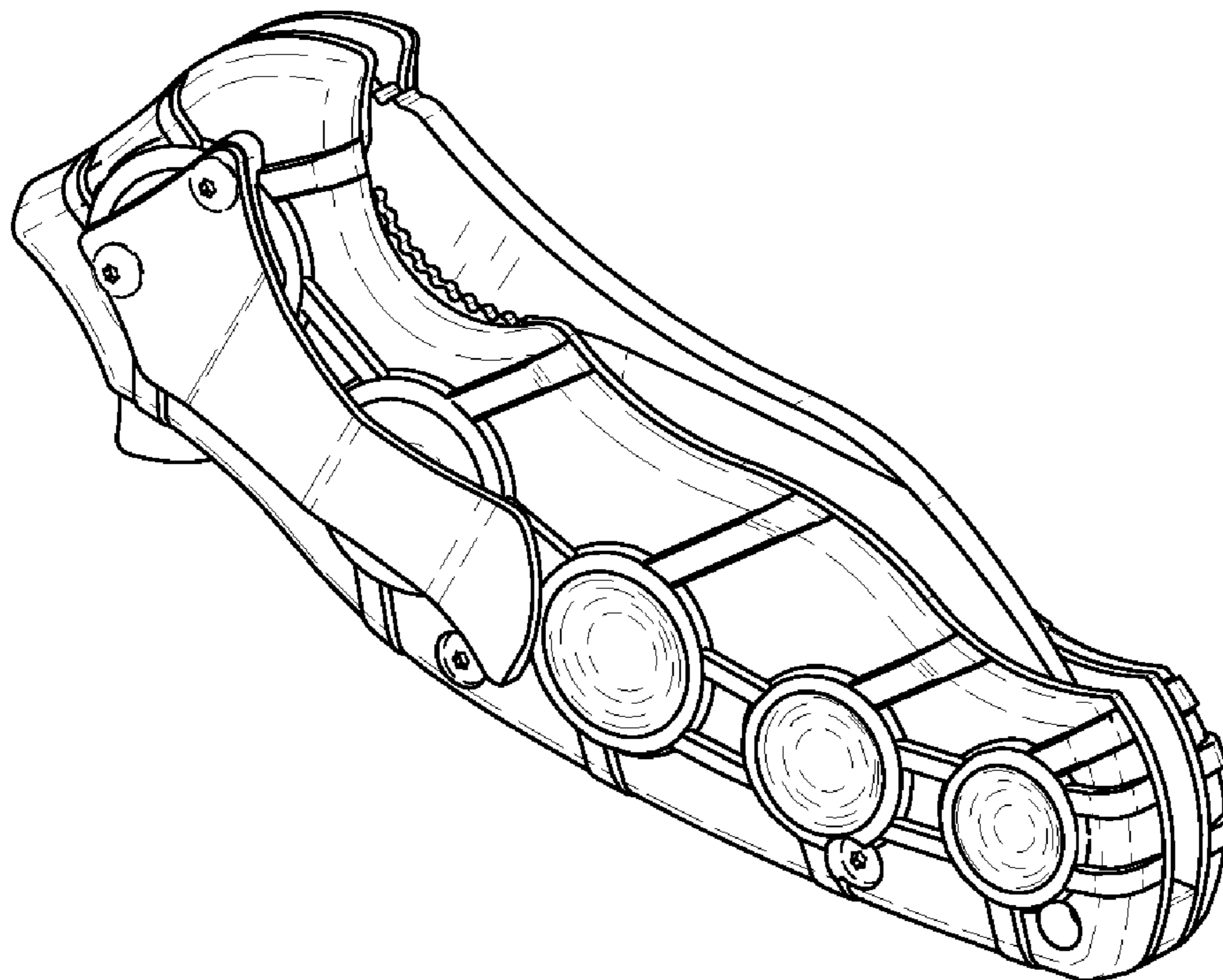
Shading lines shown in the drawings are intended to represent the approximate three-dimensional contour of the design, and are not intended to indicate surface decoration. Features not shown in the drawings, or features depicted in broken lines, form no part of the claimed design.

(56) **References Cited**

U.S. PATENT DOCUMENTS

D304,154 S *	10/1989	Osterhout	D8/99
D348,599 S *	7/1994	Sakai	D8/99
5,791,055 A	8/1998	Mangol		
5,802,722 A	9/1998	Maxey et al.		
D433,914 S *	11/2000	Chu	D8/99
D440,855 S *	4/2001	Wang	D8/97
D442,460 S *	5/2001	Glesser	D8/99
6,276,063 B1 *	8/2001	Chen	30/161
6,338,431 B1	1/2002	Onion		
6,427,334 B2	8/2002	Onion		
D489,956 S *	5/2004	Rae	D8/99
D530,180 S *	10/2006	Klecker et al.	D8/99

1 Claim, 4 Drawing Sheets



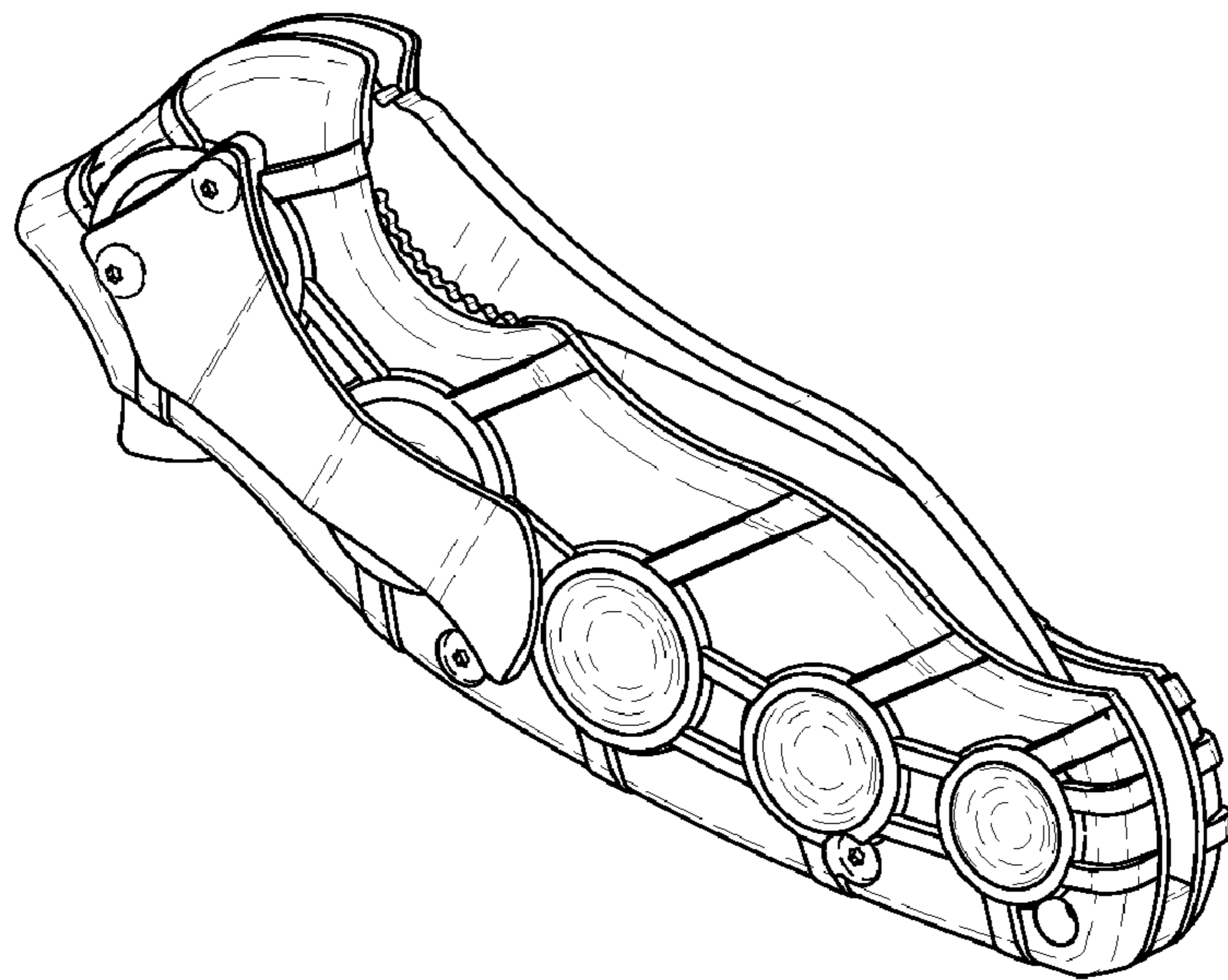


FIG. 1

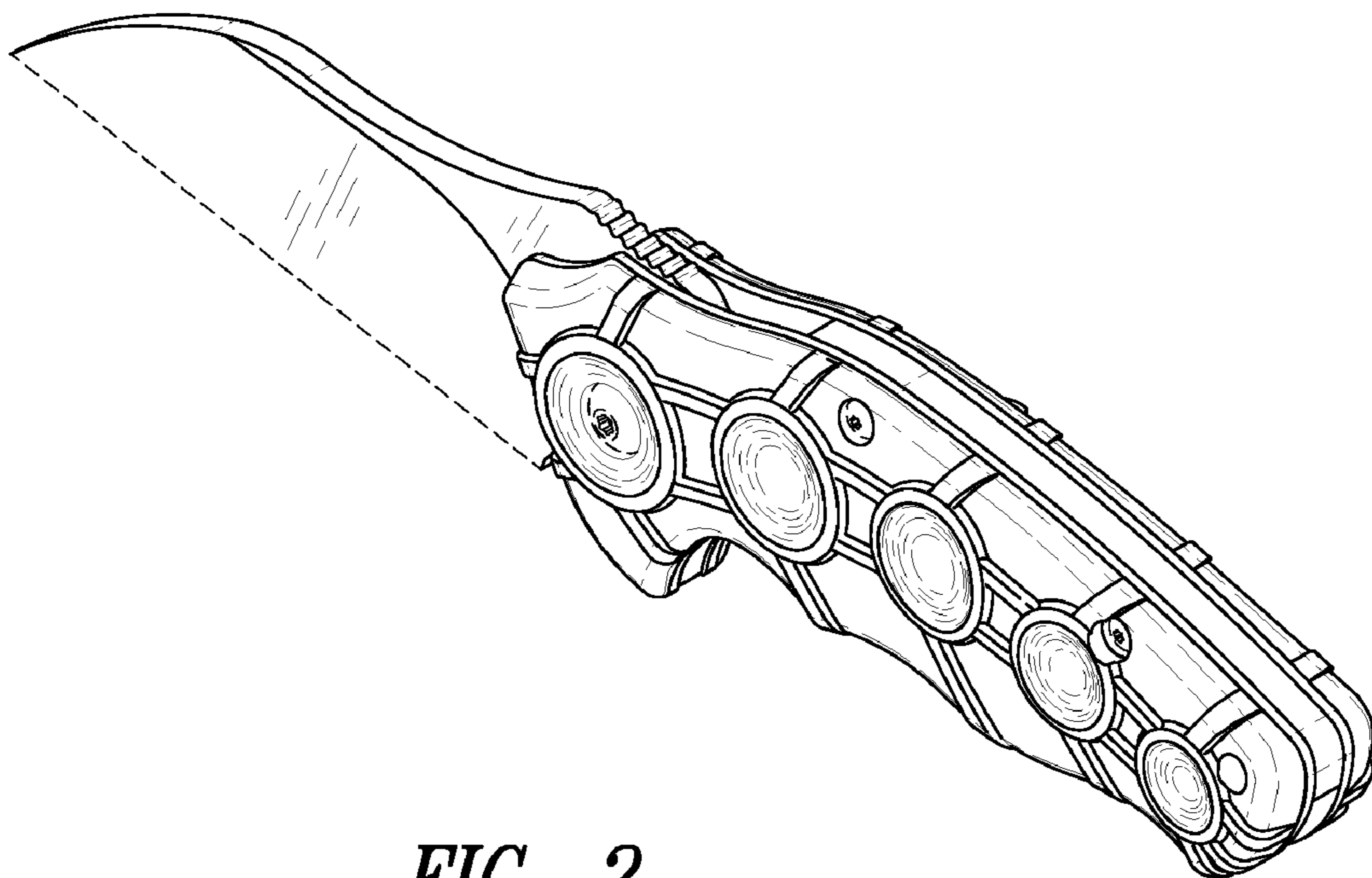


FIG. 2

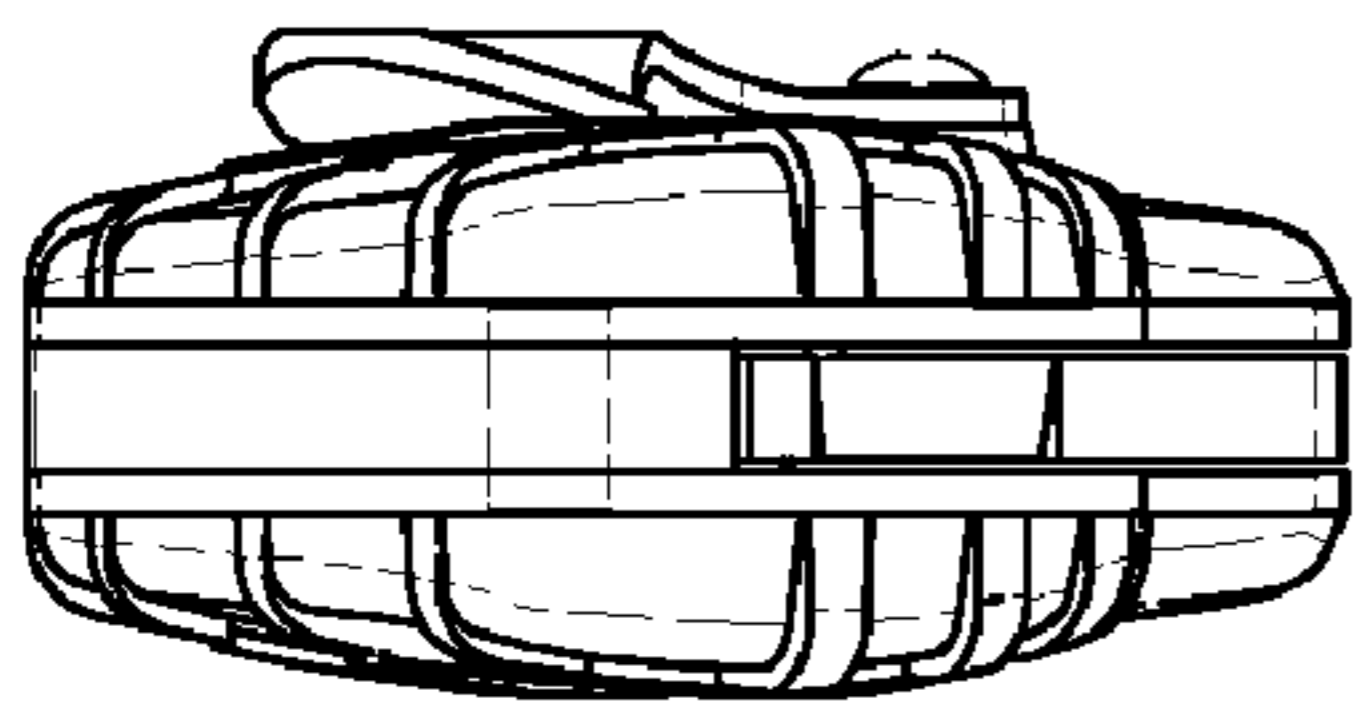


FIG. 3

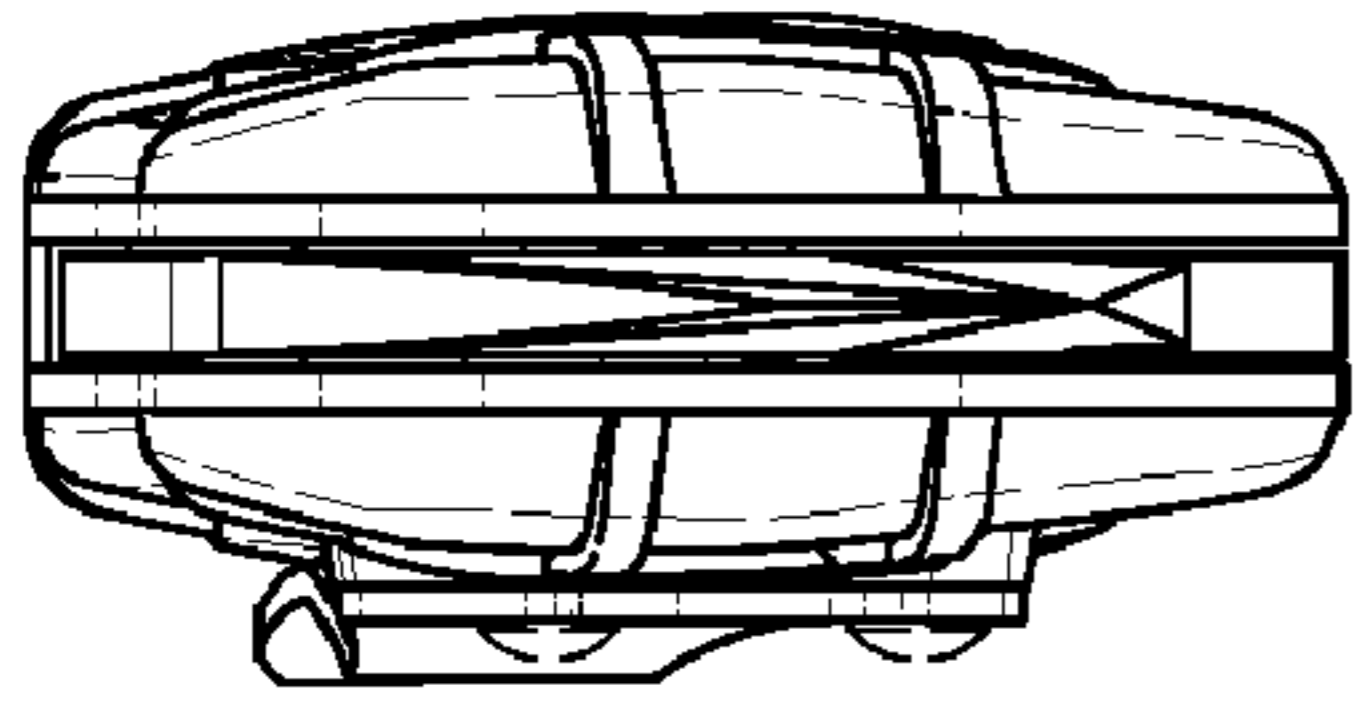


FIG. 4

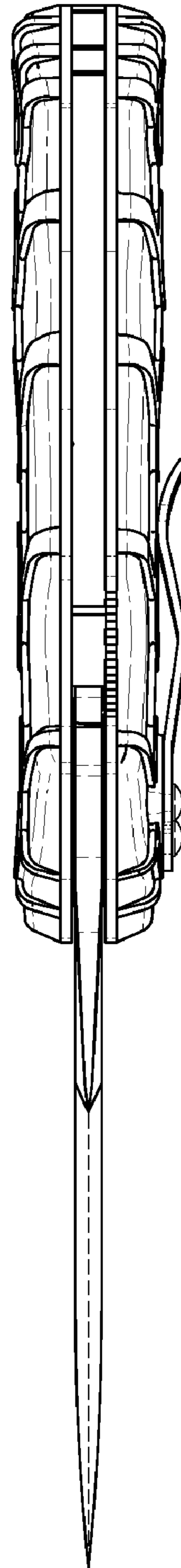


FIG. 5

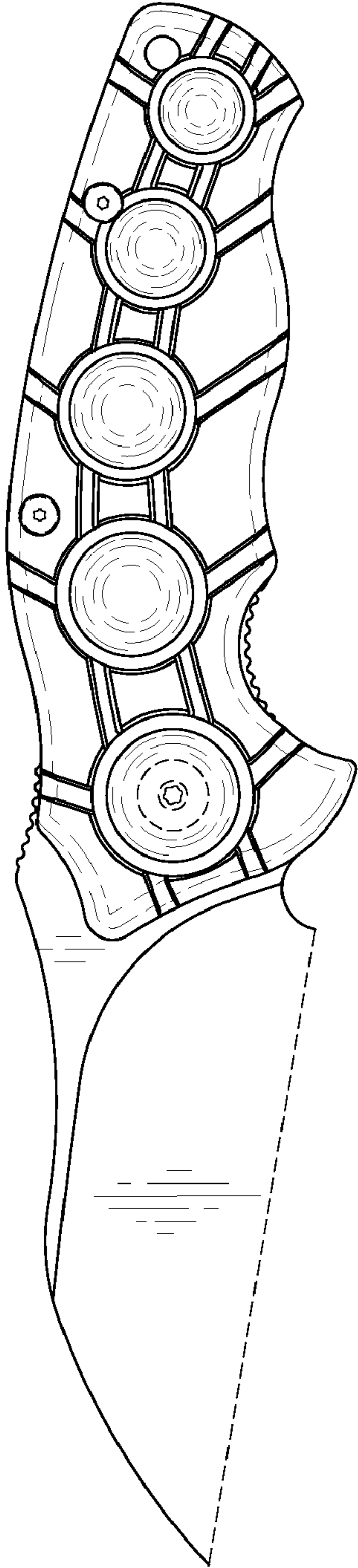


FIG. 6

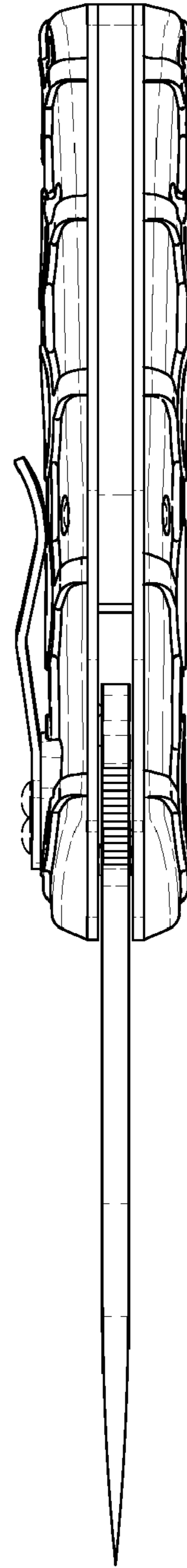


FIG. 7

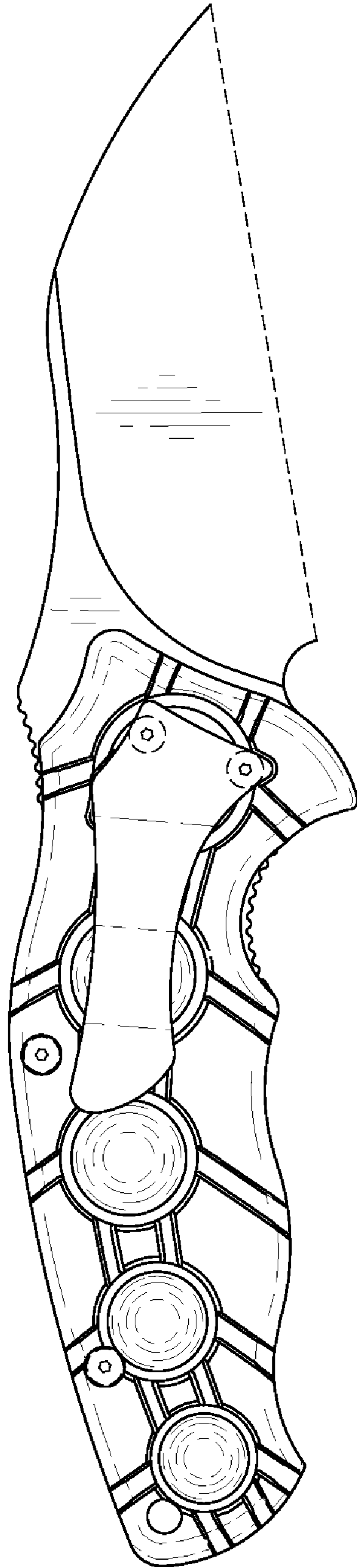


FIG. 8