



US00D565916S

(12) **United States Design Patent**  
**Chen**

(10) **Patent No.:** **US D565,916 S**

(45) **Date of Patent:** **\*\* Apr. 8, 2008**

(54) **PNEUMATIC TOOL**

(75) Inventor: **Po Chien Chen**, Taichung (TW)

(73) Assignee: **Basso Industry Corp.**, Taichung (TW)

(\*\*) Term: **14 Years**

(21) Appl. No.: **29/283,865**

(22) Filed: **Aug. 24, 2007**

(51) **LOC (8) Cl.** ..... **08-04**

(52) **U.S. Cl.** ..... **D8/61**

(58) **Field of Classification Search** ..... D8/61,  
D8/62, 68, 83, 70, 107, 80; 81/57.11, 57.13,  
81/57.14, 57.26, 57.29, 57.39, 57.42, 63.1,  
81/429, 464, 467, 469, 470, 473; 173/168,  
173/169, 170, 176, 177, 178, 181, 216, 217;  
73/862.21; 310/50

See application file for complete search history.

(56) **References Cited**

**U.S. PATENT DOCUMENTS**

4,721,169	A *	1/1988	Nagasawa et al.	173/178
D303,205	S *	9/1989	Gierke et al.	D8/61
D304,543	S *	11/1989	Somers et al.	D8/61
D308,622	S *	6/1990	Fushiya et al.	D8/61
D323,274	S *	1/1992	Sasaki et al.	D8/61
D341,531	S *	11/1993	Nagano et al.	D8/61
D380,658	S *	7/1997	Bruno et al.	D8/61
D391,820	S *	3/1998	Bunyea	D8/61
D418,729	S *	1/2000	Snider	D8/61
D423,897	S *	5/2000	Cooper	D8/61
D434,957	S *	12/2000	Heinrichs et al.	D8/61
D466,776	S *	12/2002	Hsiao	D8/62
D467,146	S *	12/2002	Chunn et al.	D8/61
D470,374	S *	2/2003	Murray	D8/61
D472,779	S *	4/2003	Chunn et al.	D8/61
D474,086	S *	5/2003	Heun	D8/61

D484,379	S *	12/2003	Chen	D8/61
D484,762	S *	1/2004	Lee	D8/62
D487,383	S *	3/2004	Ng	D8/61
6,817,424	B1 *	11/2004	Su et al.	173/217
D502,071	S *	2/2005	Snider	D8/61
D508,641	S *	8/2005	Uchida	D8/61

\* cited by examiner

*Primary Examiner*—Cathron C. Brooks

*Assistant Examiner*—Austin Murphy

(74) *Attorney, Agent, or Firm*—Egbert Law Offices

(57) **CLAIM**

The ornamental design for a pneumatic tool, as shown and described.

**DESCRIPTION**

The pneumatic tool is an air-powered device for use in construction. One end attached to an air hose, and the other end has a hardware attachment for sawing, drilling, screwing, and nailing, etc.

FIG. 1 is an upper perspective view of the pneumatic tool showing my design.

FIG. 2 is a front end view thereof;

FIG. 3 is a back end view thereof;

FIG. 4 is a side view thereof;

FIG. 5 is an opposite side view thereof;

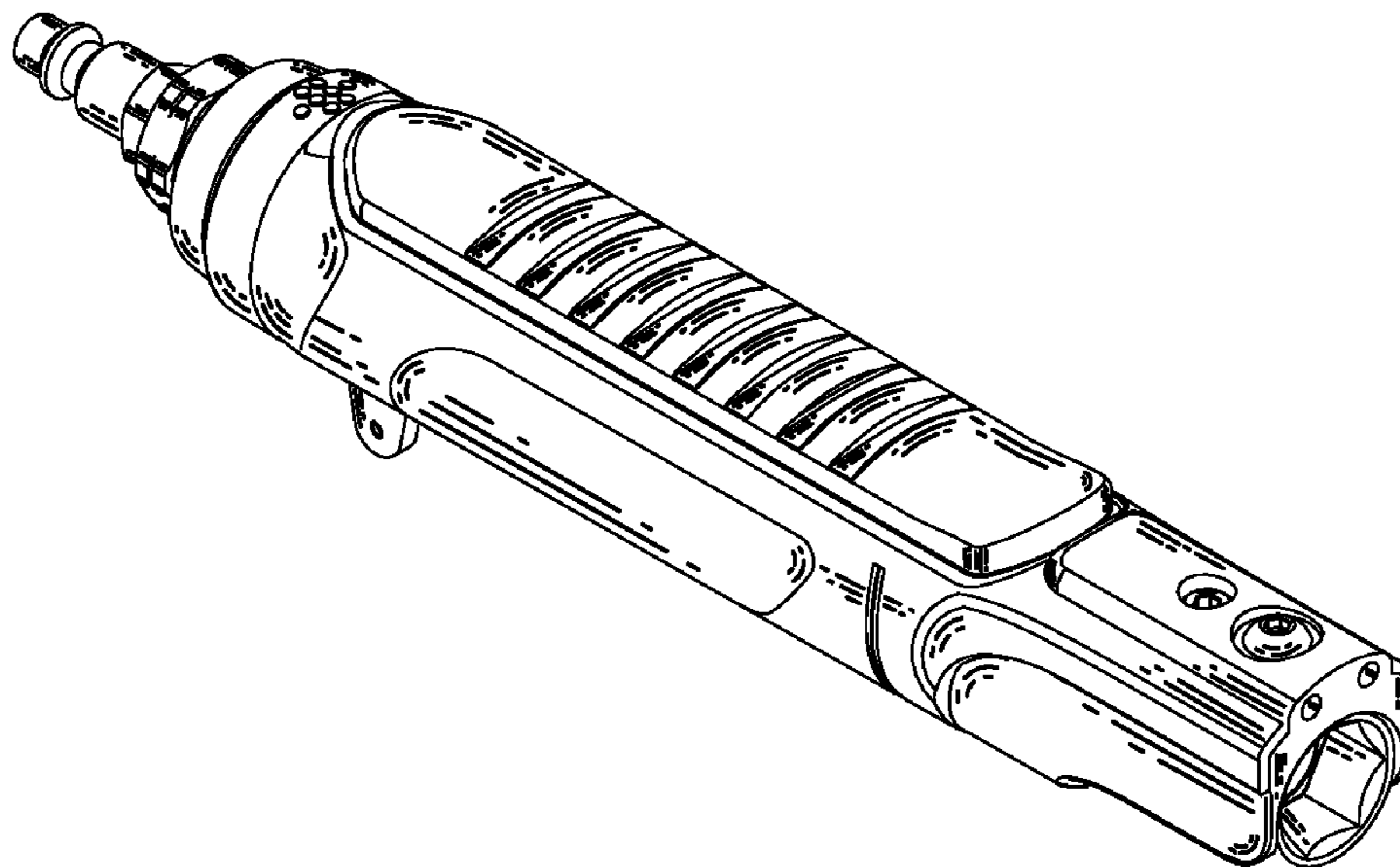
FIG. 6 is top view thereof;

FIG. 7 is a bottom view thereof; and,

FIG. 8 is a side view showing attachments to the tool in broken lines.

The broken lines are presented for illustrative purposes only and form no part of the claimed design.

**1 Claim, 6 Drawing Sheets**



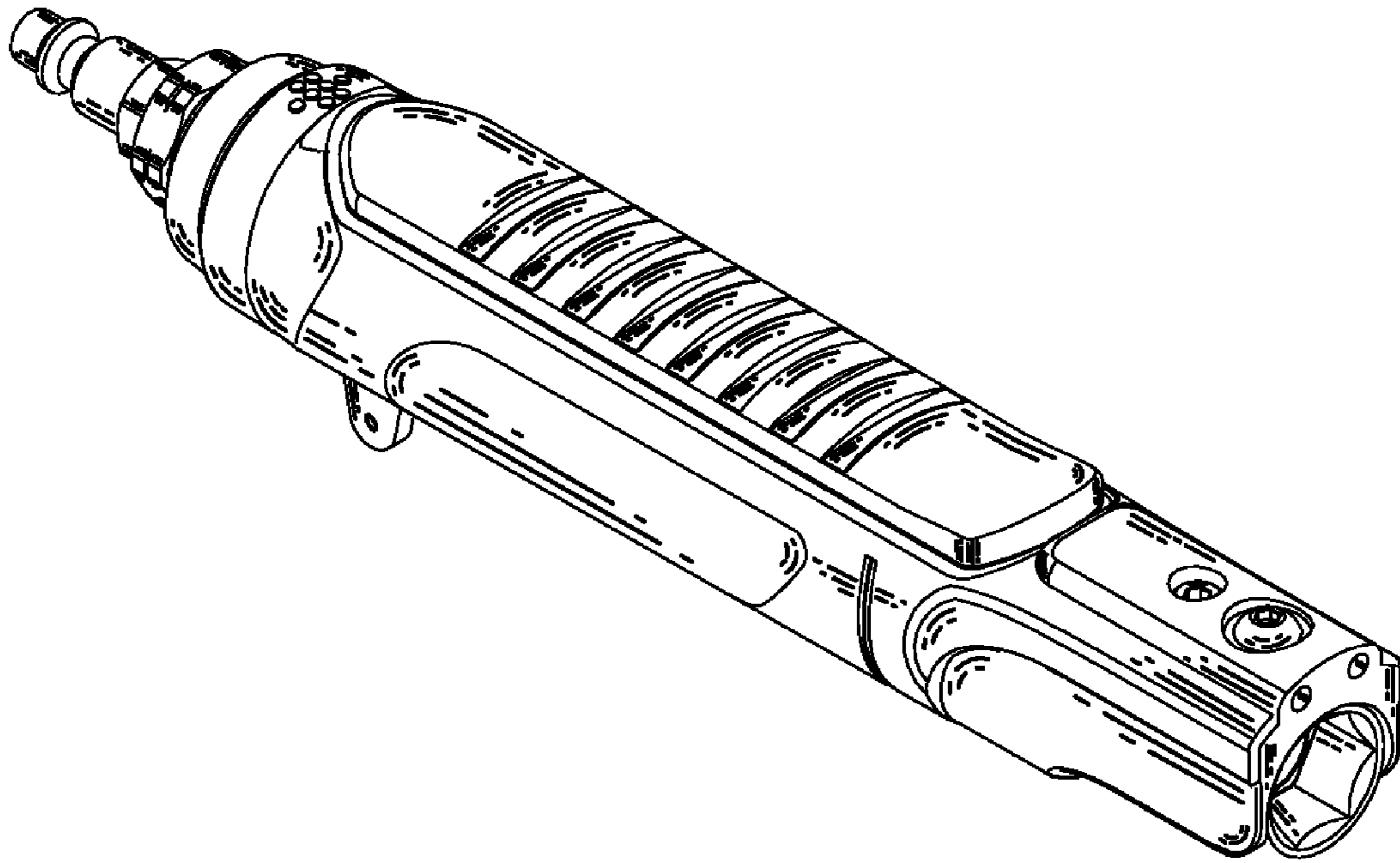


FIG.1

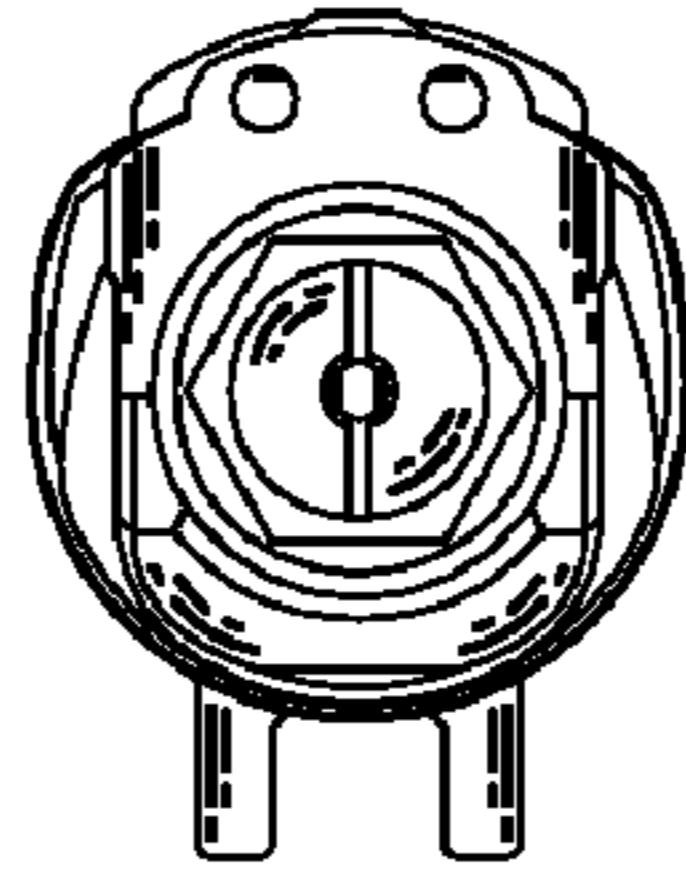


FIG.2

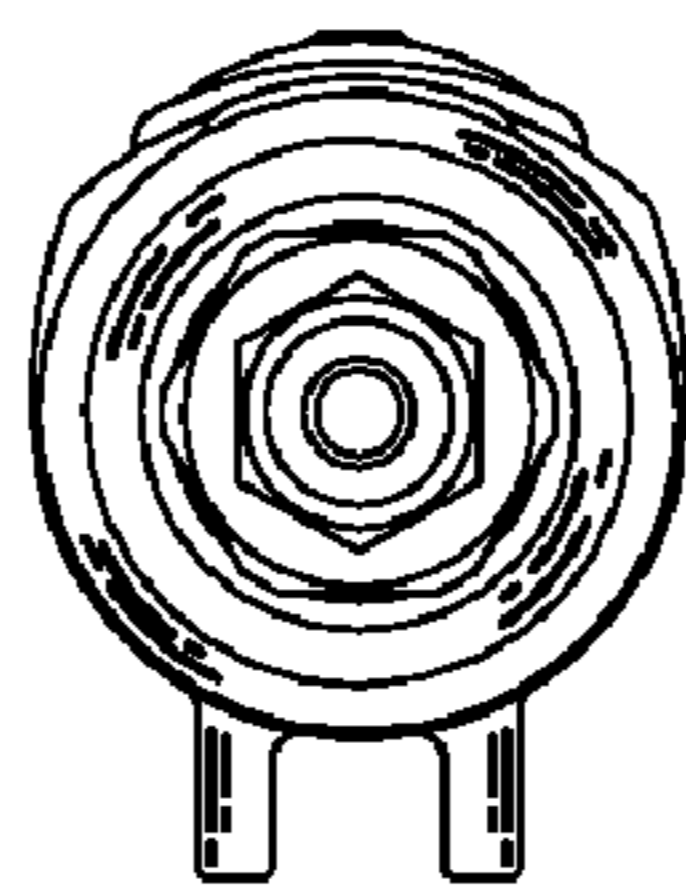


FIG.3

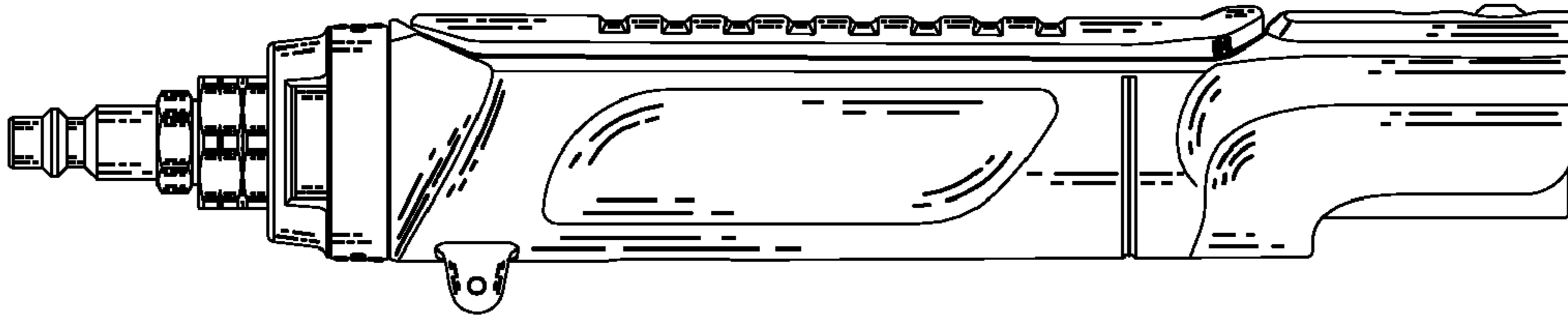


FIG.4

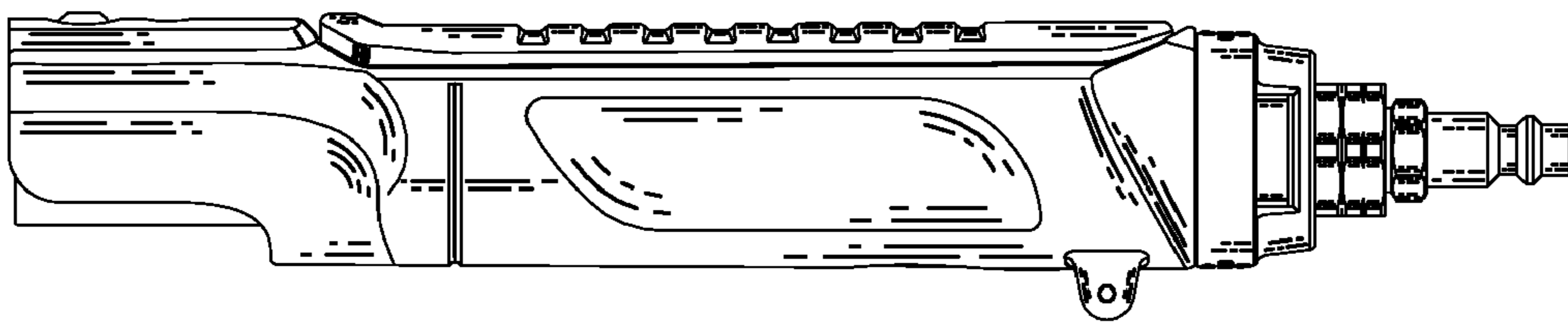


FIG.5

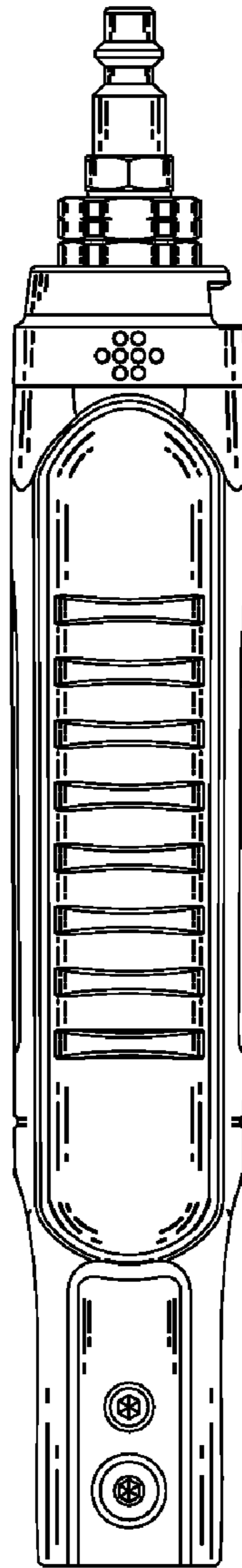


FIG.6

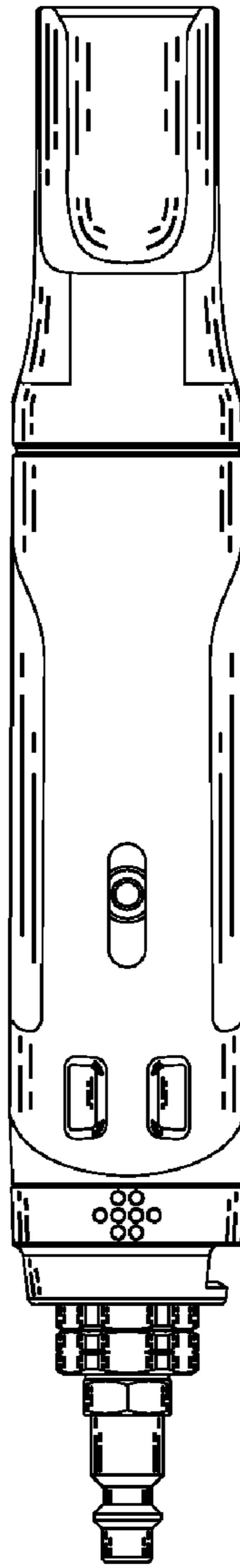


FIG.7

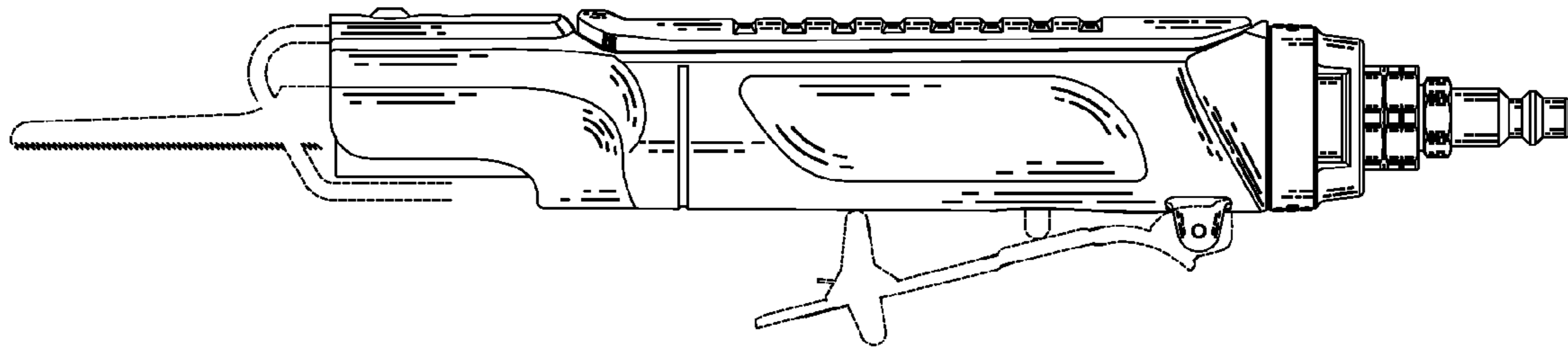


FIG.8