



US00D565912S

(12) **United States Design Patent** (10) **Patent No.:** **US D565,912 S**
Diekmann et al. (45) **Date of Patent:** **** Apr. 8, 2008**

(54) **TREE AND PLANT WATERING DEVICE**

(75) Inventors: **Erik Diekmann**, Boston, MA (US);
John Arena, Nantucket, MA (US)

(73) Assignee: **Handycane, Inc.**, Boston, MA (US)

(**) Term: **14 Years**

(21) Appl. No.: **29/268,958**

(22) Filed: **Nov. 17, 2006**

(51) **LOC (8) Cl.** **08-01**

(52) **U.S. Cl.** **D8/1**

(58) **Field of Classification Search** D8/1;
D1/101, 125, 127; 47/79, 40.5; 111/92;
D11/117, 121, 125, 131, 157; D3/7
See application file for complete search history.

(56) **References Cited**

U.S. PATENT DOCUMENTS

1,755,234	A *	4/1930	Westerfield	206/443
D352,372	S *	11/1994	Gonzalez	D1/106
D421,705	S *	3/2000	Smith	D8/83
D436,006	S	1/2001	DeMarino		
6,398,387	B1 *	6/2002	Wienhold	362/231
D464,159	S *	10/2002	Peloquin	D26/67
D469,669	S *	2/2003	Sollitto	D8/14
D478,404	S	8/2003	Wardlaw		
D479,618	S	9/2003	Lamonto		
D482,841	S *	12/2003	Fok	D1/101
D482,960	S *	12/2003	Fok	D9/643
D482,961	S *	12/2003	Fok	D9/643
D489,477	S	5/2004	Maldonado		

6,789,920	B2 *	9/2004	Liou	362/219
D509,041	S *	9/2005	Larkin	D1/101
D534,479	S *	1/2007	Valeri	D12/400
D538,039	S *	3/2007	Metcalfé et al.	D3/271.1
2002/0080608	A1 *	6/2002	Wienhold	362/249
2006/0044790	A1 *	3/2006	Crawley	362/153

* cited by examiner

Primary Examiner—Holly H. Baynham

Assistant Examiner—Sheryl Friedman

(74) *Attorney, Agent, or Firm*—Nixon Peabody LLP;
Corinne R. Gorski

(57) **CLAIM**

The design for a tree and plant watering device, as shown and described.

DESCRIPTION

FIG. 1 is a perspective view of the ornamental tree and plant watering device of the present invention.

FIG. 2 is a side view of the ornamental tree and plant watering device of the present invention.

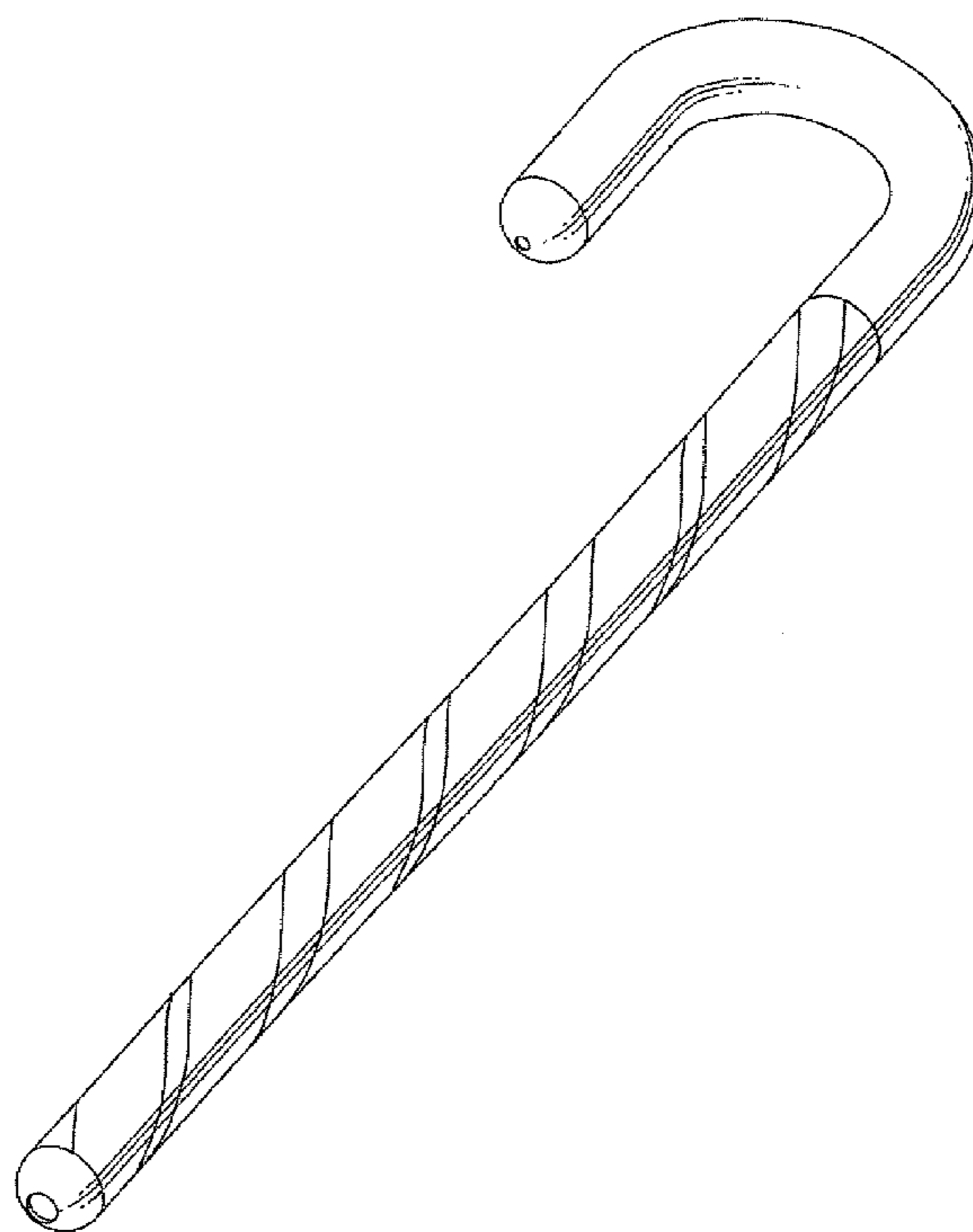
FIG. 3 is a front view of the ornamental tree and plant watering device of the present invention.

FIG. 4 is a back view of the ornamental tree and plant watering device of the present invention.

FIG. 5 is a top view of the ornamental tree and plant watering device of the present invention; and,

FIG. 6 is a bottom view of the ornamental tree and plant watering device of the present invention.

1 Claim, 2 Drawing Sheets



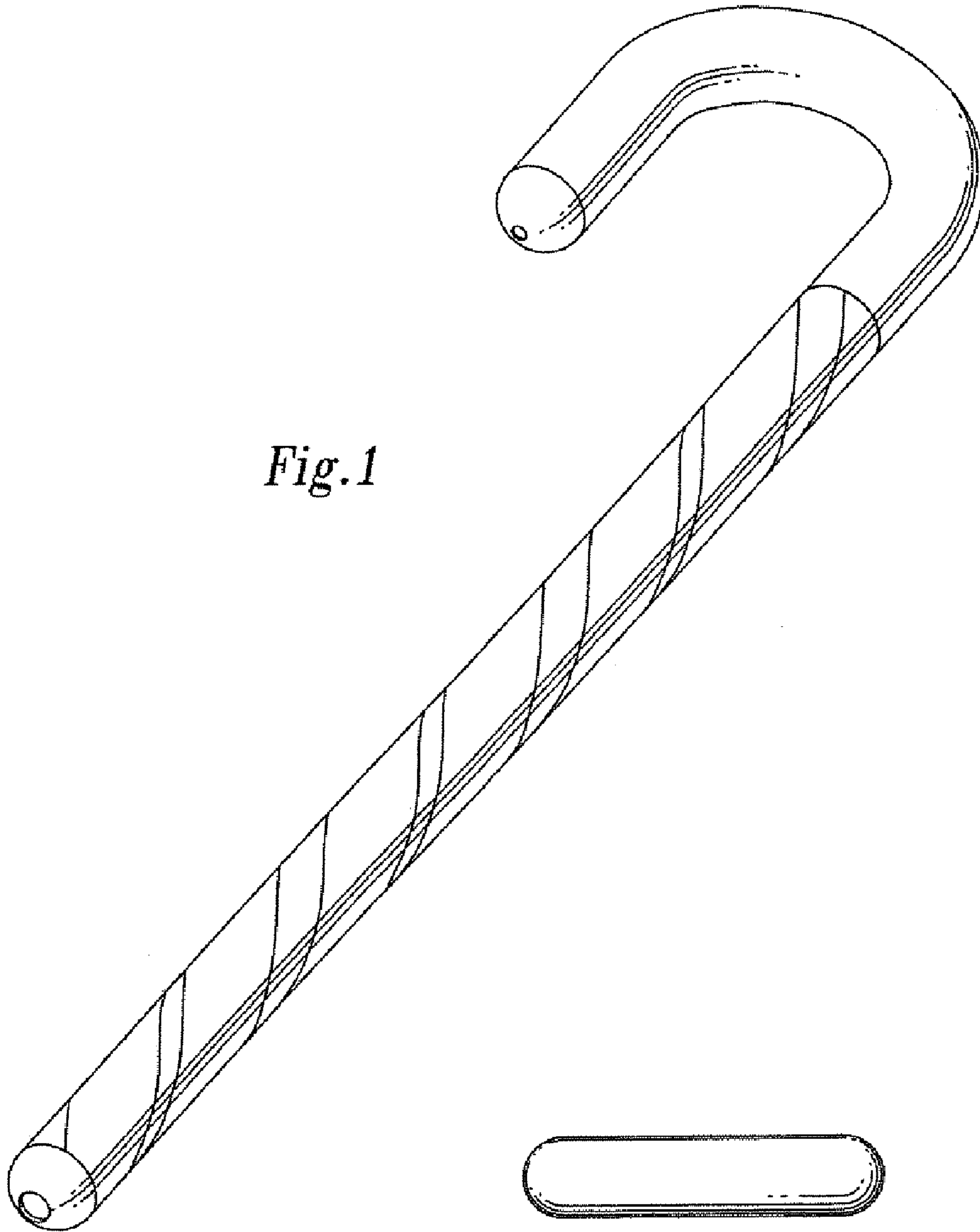


Fig. 1

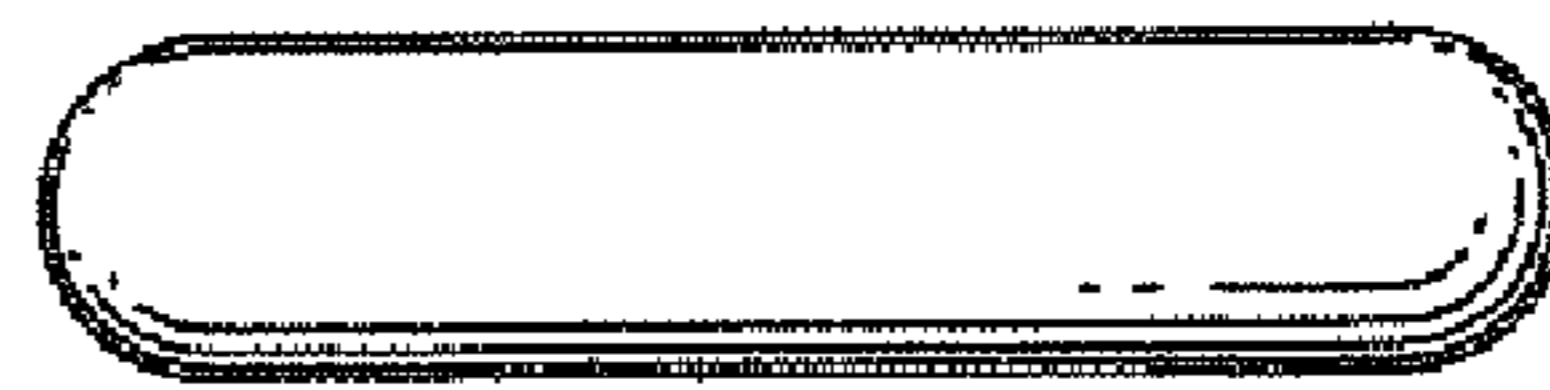


Fig. 5



Fig. 6

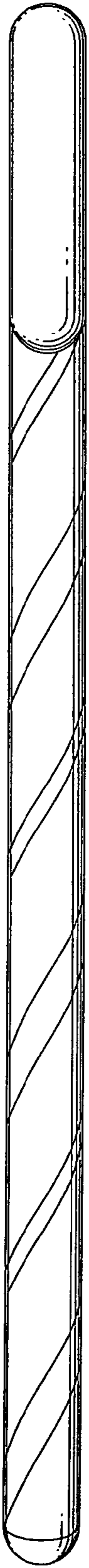


Fig. 3

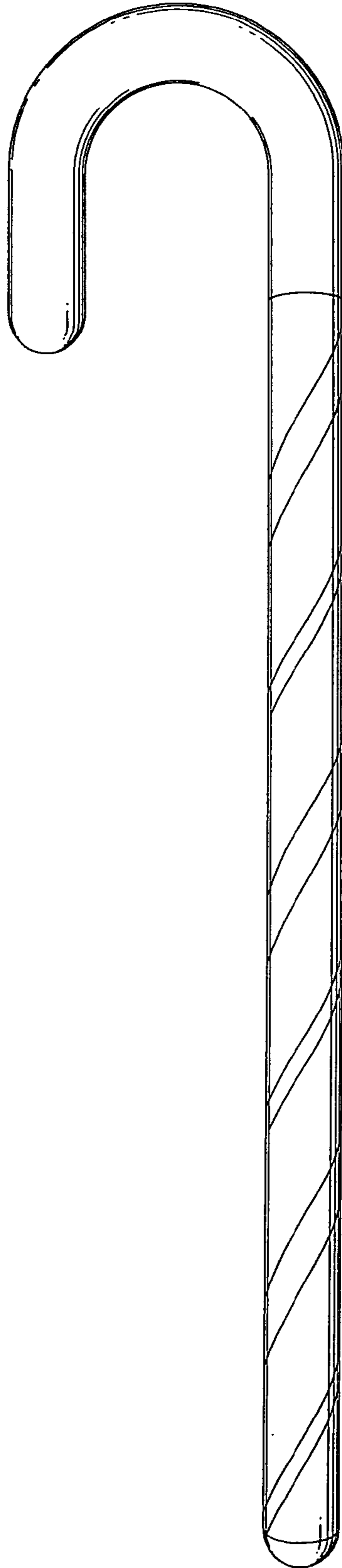


Fig. 2



Fig. 4