

US00D565911S

(12) **United States Design Patent**  
**Jossem et al.**

(10) **Patent No.:** **US D565,911 S**

(45) **Date of Patent:** **\*\* Apr. 8, 2008**

(54) **CONDIMENT GRINDER**

(75) Inventors: **Adam A. Jossem**, Seattle, WA (US);  
**David A. Holcomb**, Seattle, WA (US)

(73) Assignee: **Chef'n Corporation**, Seattle, WA (US)

(\*\*) Term: **14 Years**

(21) Appl. No.: **29/282,358**

(22) Filed: **Jul. 17, 2007**

(51) **LOC (8) Cl.** ..... **07-06**

(52) **U.S. Cl.** ..... **D7/679**

(58) **Field of Classification Search** ..... D7/679,  
D7/372, 373, 590–598, 401.1; 222/142.1–142.9,  
222/452, 480–482; 241/93, 168, 169.1, 285.3  
See application file for complete search history.

(56) **References Cited**

**U.S. PATENT DOCUMENTS**

D301,957 S *	7/1989	David	.....	D7/679
D337,923 S *	8/1993	Ancona et al.	.....	D7/679
D370,160 S *	5/1996	Holcomb et al.	.....	D7/679
D452,997 S *	1/2002	Holcomb et al.	.....	D7/679
D453,096 S *	1/2002	Stewart et al.	.....	D7/679
D464,852 S *	10/2002	Tang	.....	D7/679

6,672,524 B1 *	1/2004	Holcomb et al.	.....	241/169
D504,278 S *	4/2005	Tardif	.....	D7/401.1
7,007,875 B2 *	3/2006	Cheng	.....	241/169.1

\* cited by examiner

*Primary Examiner*—Terry A Wallace

(74) *Attorney, Agent, or Firm*—Seed IP Law Group PLLC

(57) **CLAIM**

The ornamental design for a condiment grinder, as shown and described.

**DESCRIPTION**

FIG. 1 is a perspective view of a condiment grinder showing our new design.

FIG. 2 is a front elevation view thereof.

FIG. 3 is a rear elevation view thereof.

FIG. 4 is a right side elevation view thereof.

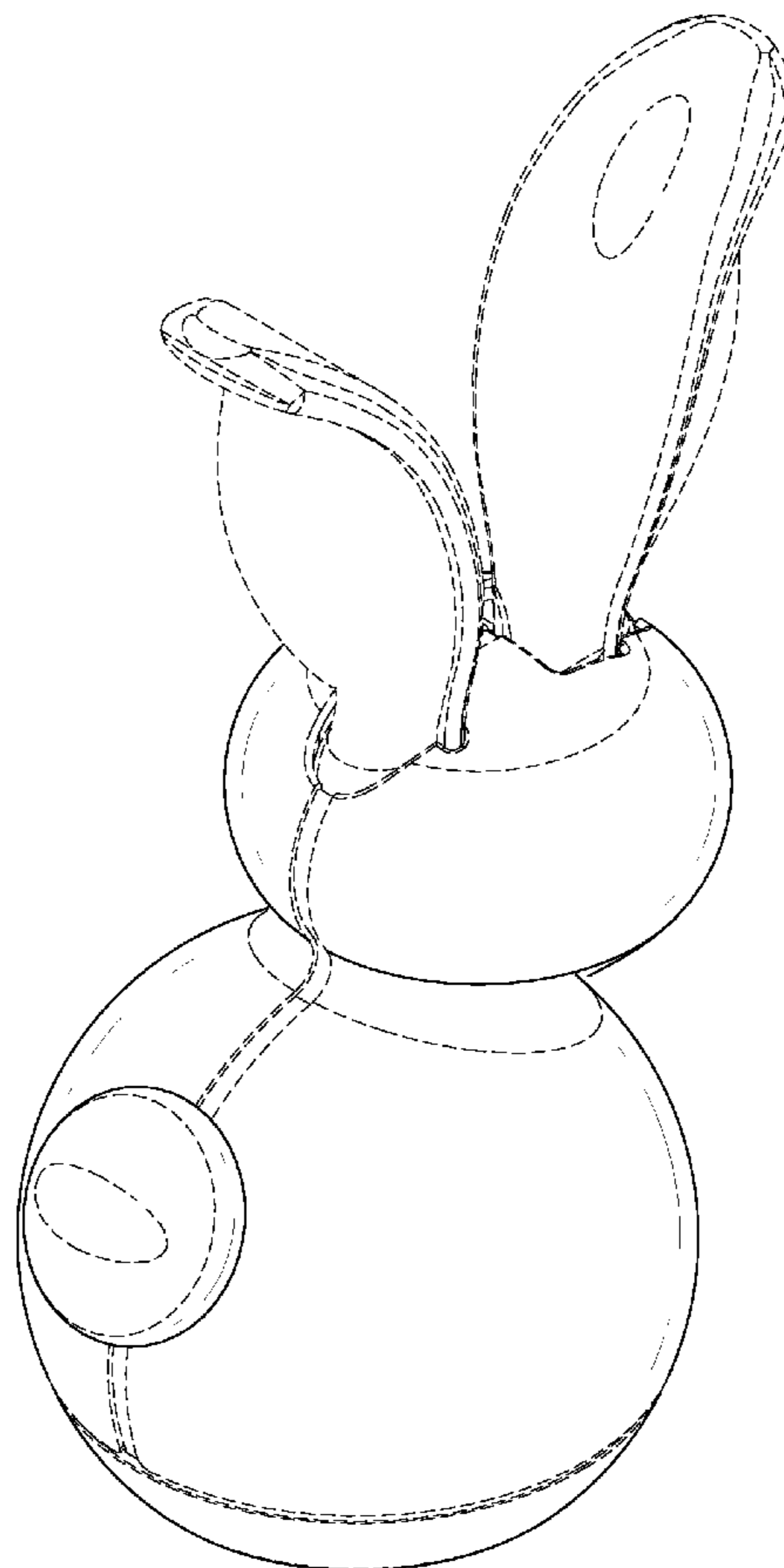
FIG. 5 is a left side elevation view thereof.

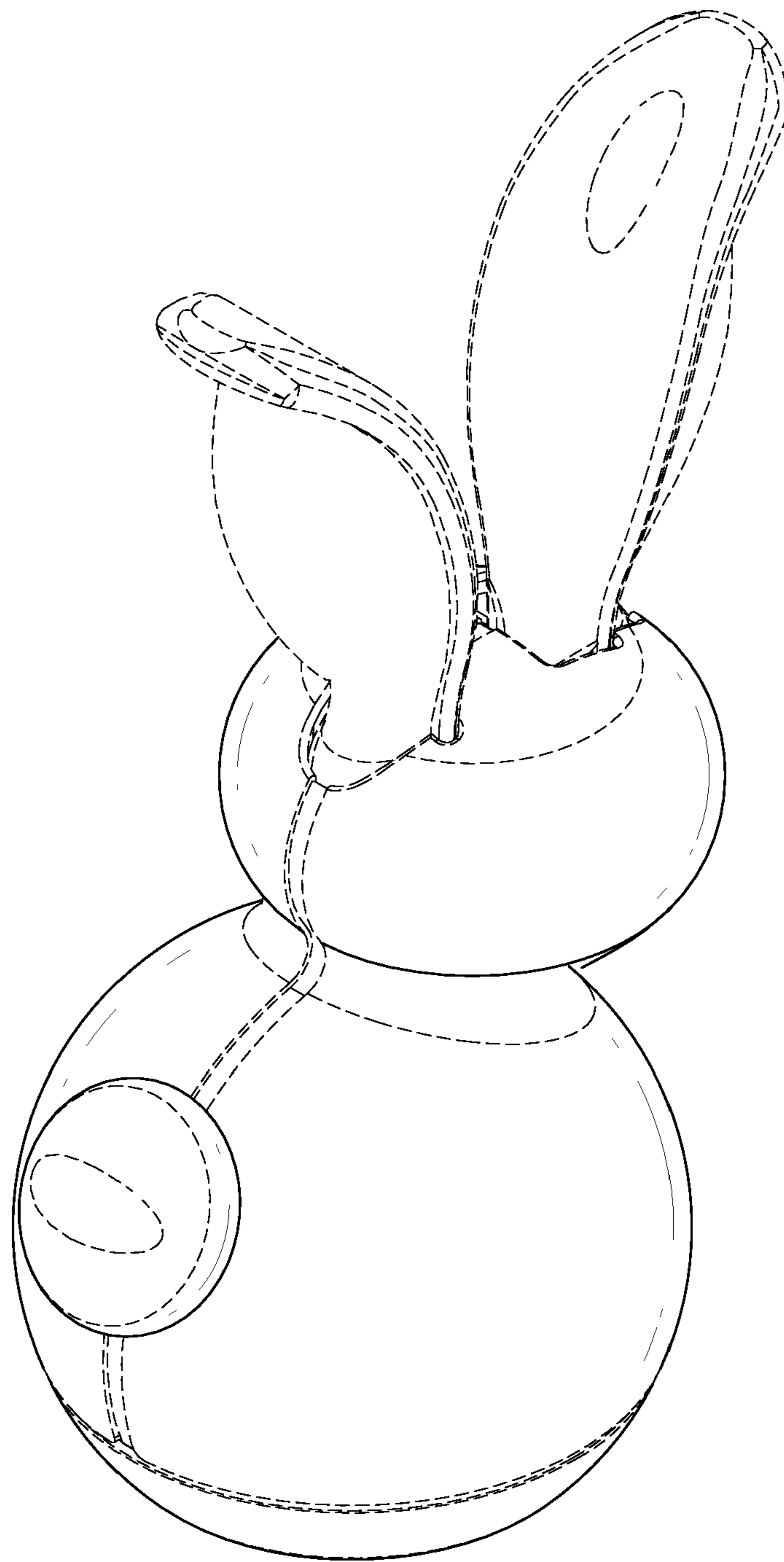
FIG. 6 is a top plan view thereof; and,

FIG. 7 is a bottom plan view thereof.

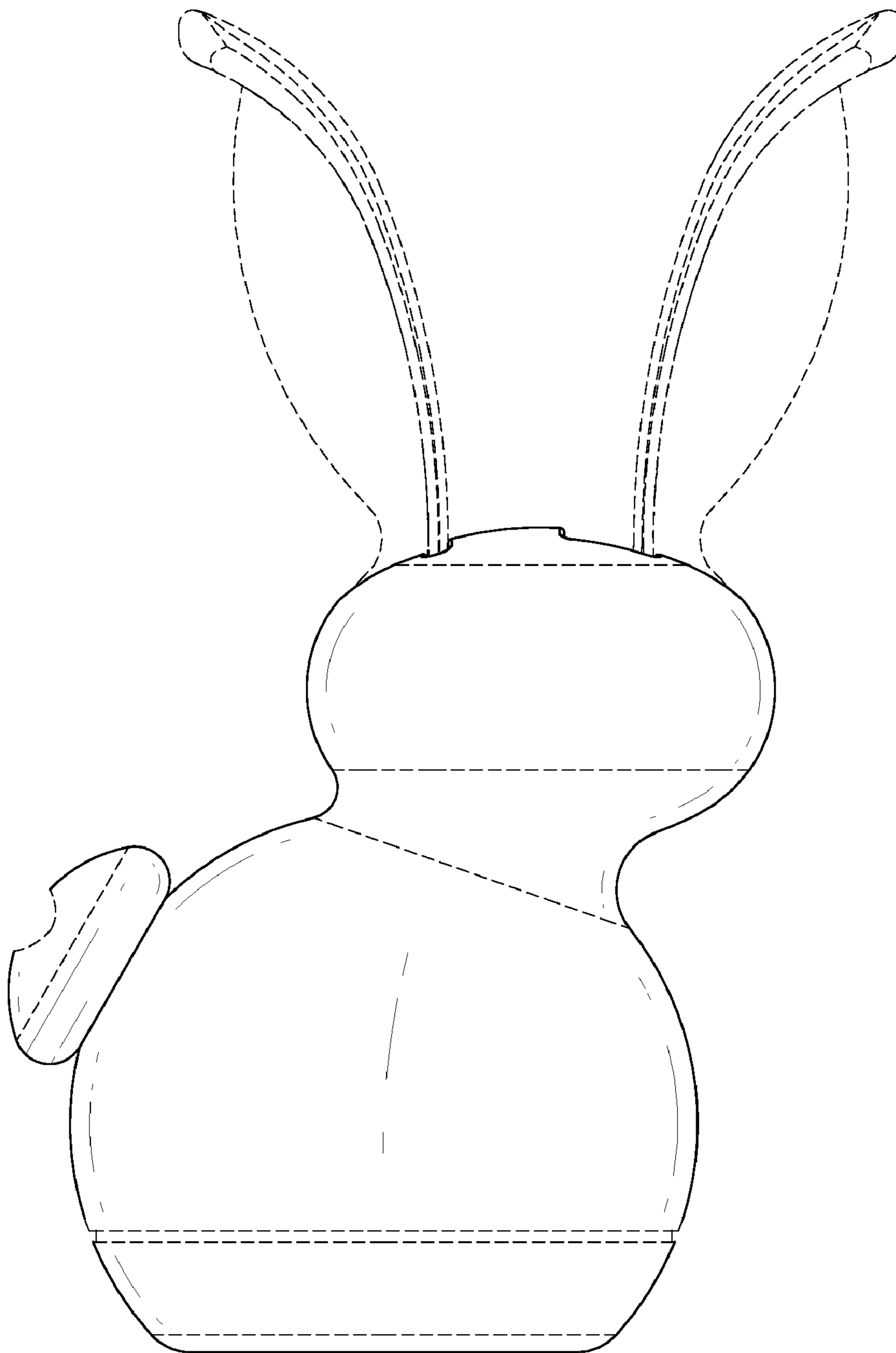
The broken lines in the figures are for illustrative purposes only and form no part of the claimed design.

**1 Claim, 6 Drawing Sheets**

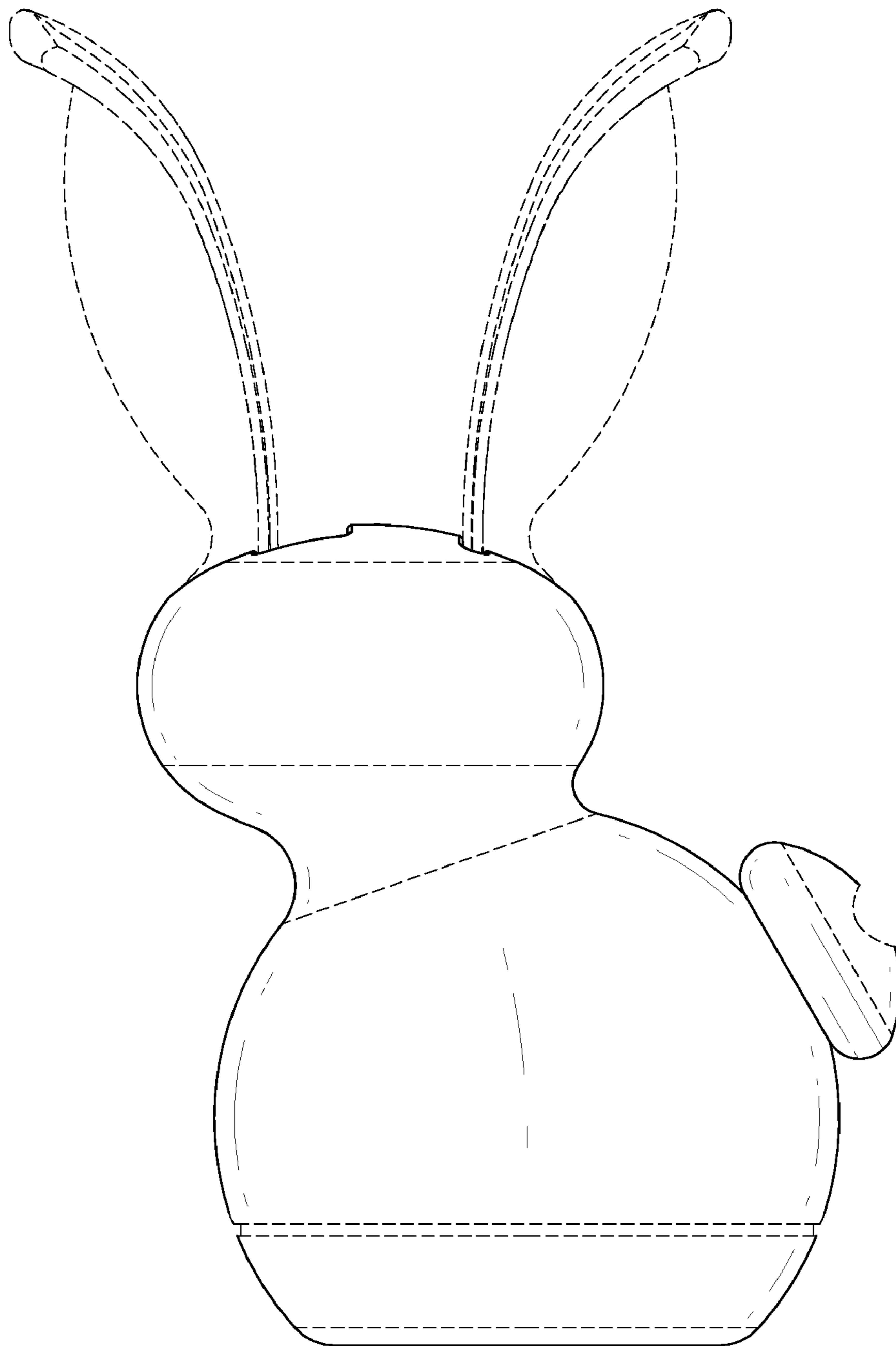




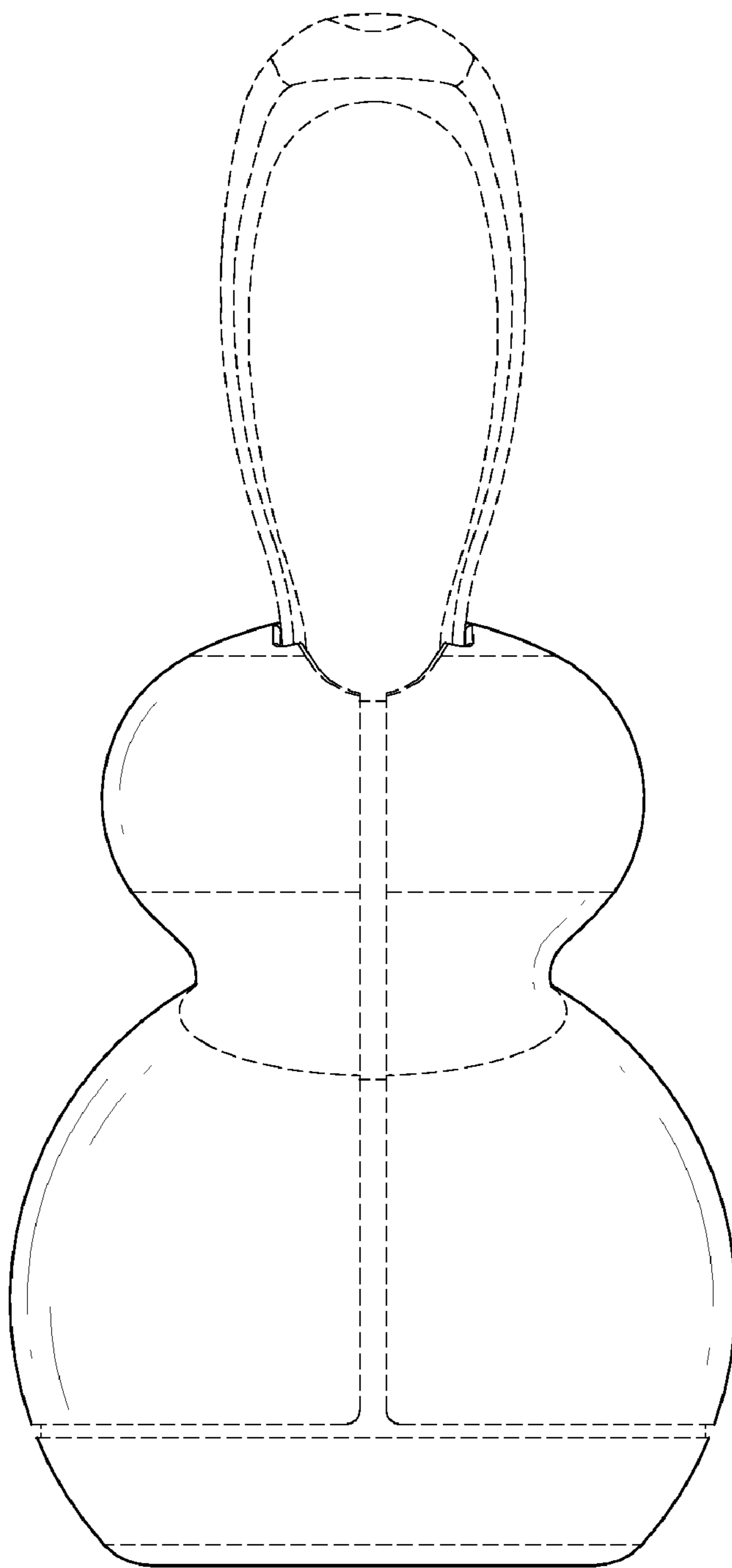
*FIG. 1*



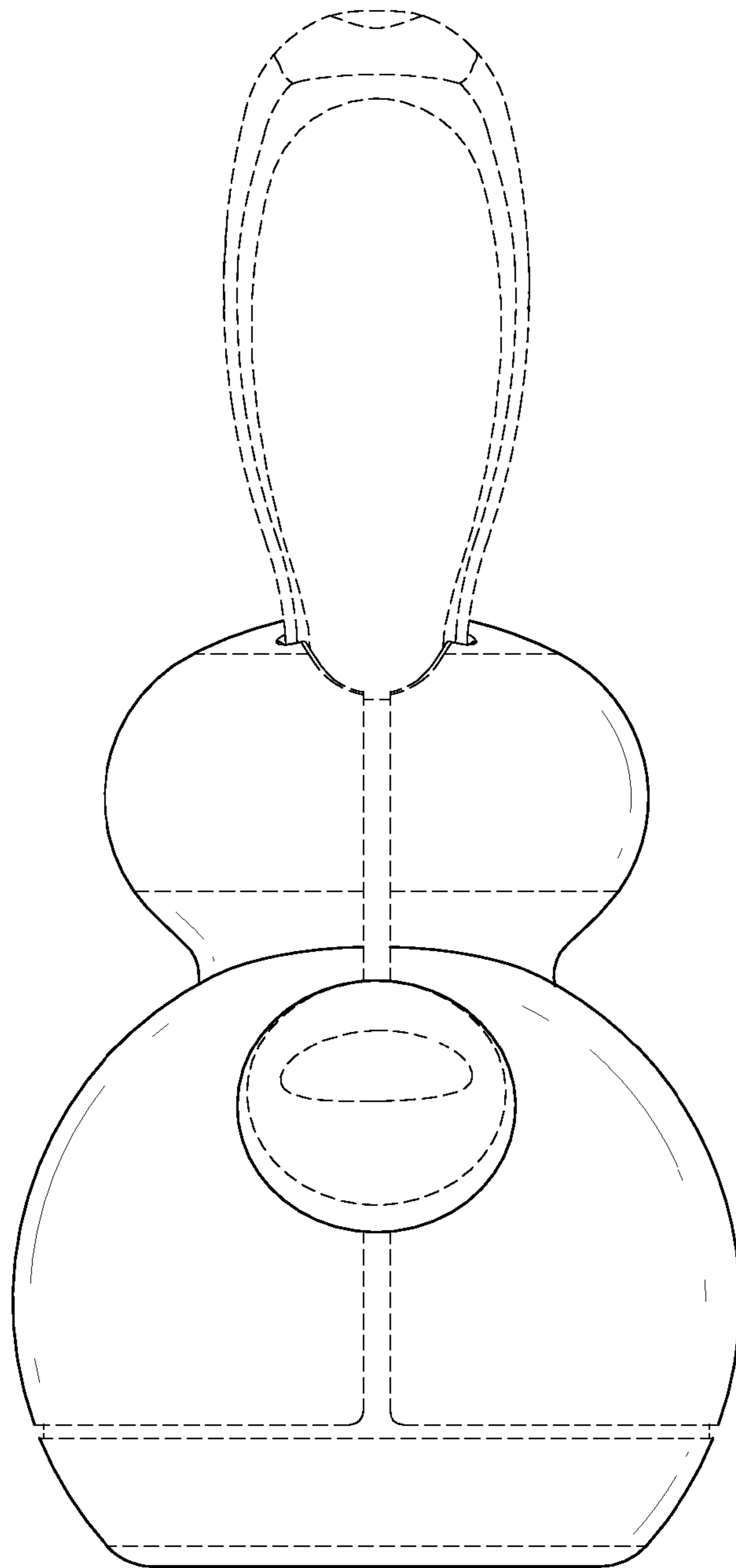
*FIG. 2*



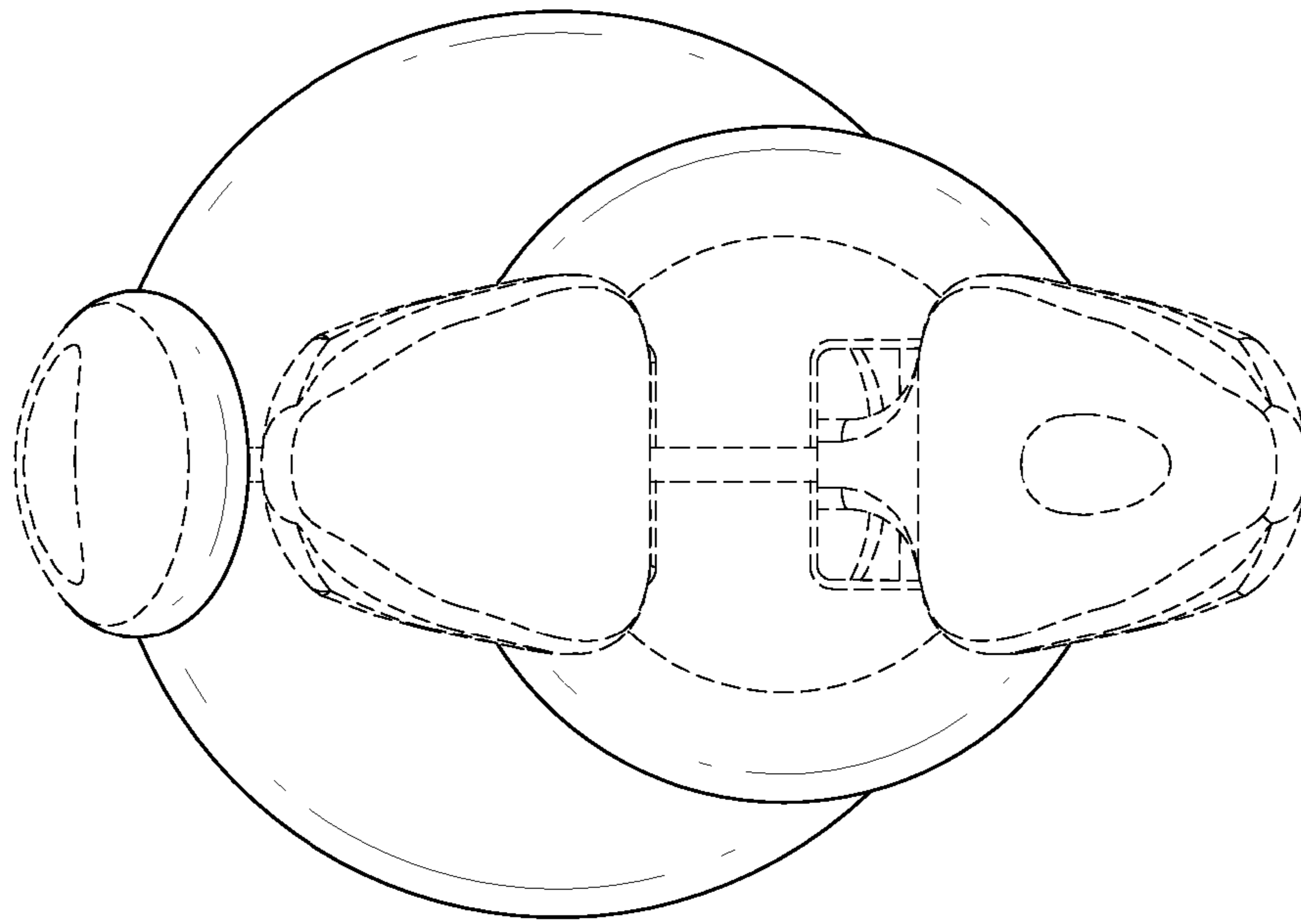
*FIG. 3*



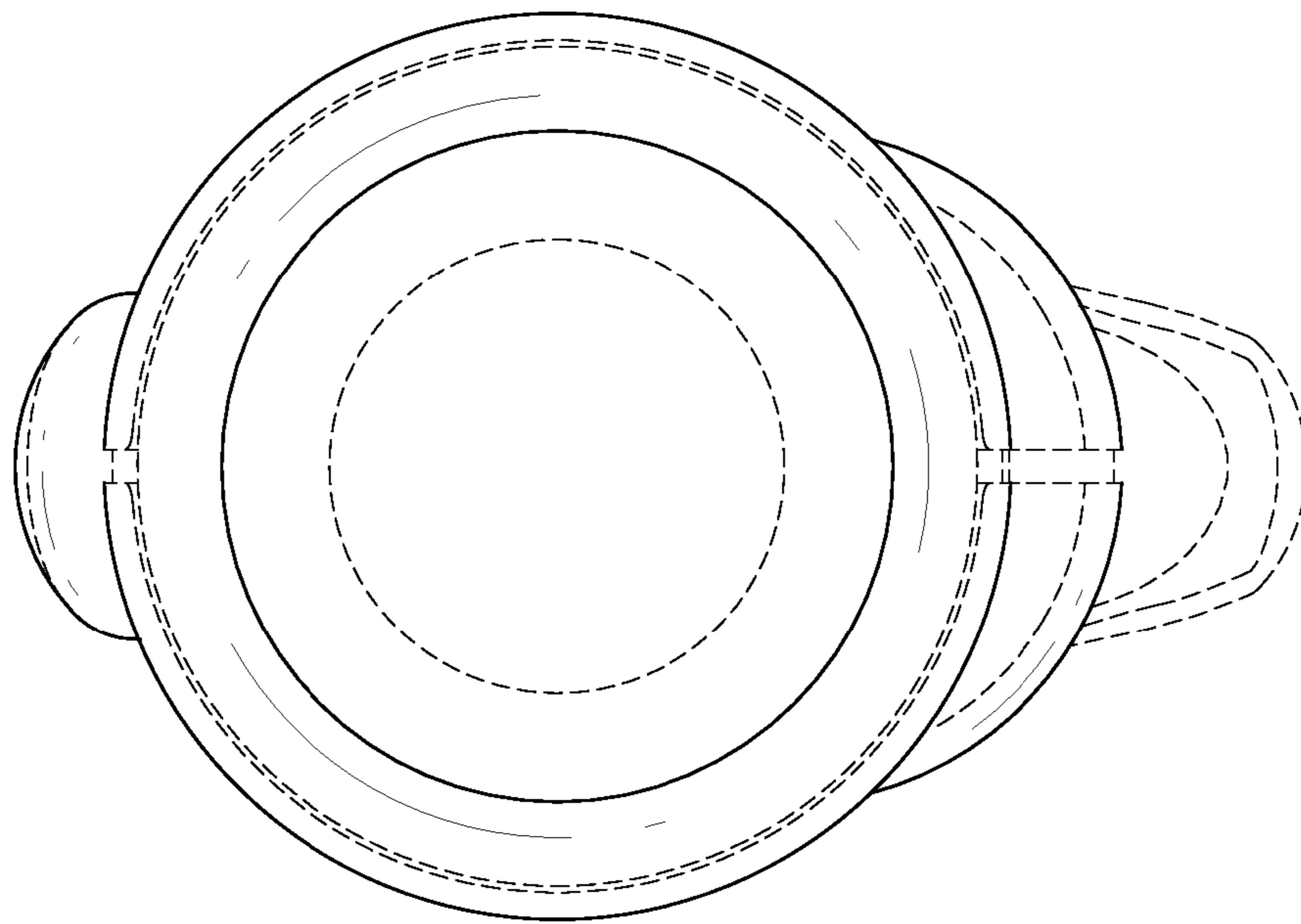
*FIG. 4*



*FIG. 5*



*FIG. 6*



*FIG. 7*