

US00D565903S

(12) **United States Design Patent** (10) **Patent No.:** **US D565,903 S**
Bodum (45) **Date of Patent:** **** Apr. 8, 2008**

(54) **DRINKING GLASS**
(75) Inventor: **Jørgen Bodum**, St. Niklausen (CH)
(73) Assignee: **Pi-Design AG**, Triengen (CH)
(**) Term: **14 Years**
(21) Appl. No.: **29/255,721**
(22) Filed: **Mar. 10, 2006**

(30) **Foreign Application Priority Data**
Sep. 14, 2005 (DK) DA 2005 00260
(51) **LOC (8) Cl.** **07-01**
(52) **U.S. Cl.** **D7/523; D7/500; D7/507**
(58) **Field of Classification Search** D7/392-394,
D7/509-511, 515, 522-524, 528, 529, 531-533,
D7/536, 537, 540, 542, 901; 215/10, 365,
215/376, 377, 382, 384, 387, 392, 394, DIG. 7;
220/62.12, 560, 568, 592.17, 607, 608, 623,
220/659, 662, 669, 710
See application file for complete search history.

(56) **References Cited**
U.S. PATENT DOCUMENTS
D79,881 S * 11/1929 Fisher D7/528
D111,766 S * 10/1938 Hansen D7/523
D114,568 S * 5/1939 Viatour D7/523
D119,278 S * 3/1940 May D7/524
2,585,445 A * 2/1952 Dingeldein 220/605
2,660,039 A * 11/1953 Newell 215/377
3,269,144 A * 8/1966 Poris 62/457.3
D209,308 S * 11/1967 Shilling D7/523
D282,134 S * 1/1986 Durand D7/523
D283,387 S * 4/1986 Durand D7/523
4,756,446 A * 7/1988 Gen et al. 206/457
D358,080 S * 5/1995 Handler D7/509
D404,256 S * 1/1999 Asberg D7/511
D408,221 S * 4/1999 Asberg D7/511
D416,757 S * 11/1999 Ginuntoli D7/523
D452,797 S * 1/2002 Palefsky et al. D7/511

D471,404 S * 3/2003 Gady D7/523
D475,243 S * 6/2003 Trazzi D7/532
D486,695 S * 2/2004 Chuang D7/532
D490,274 S * 5/2004 Irvine D7/603
D490,655 S * 6/2004 Zettle et al. D7/532

FOREIGN PATENT DOCUMENTS
DK MR 1990 01412 * 9/1990

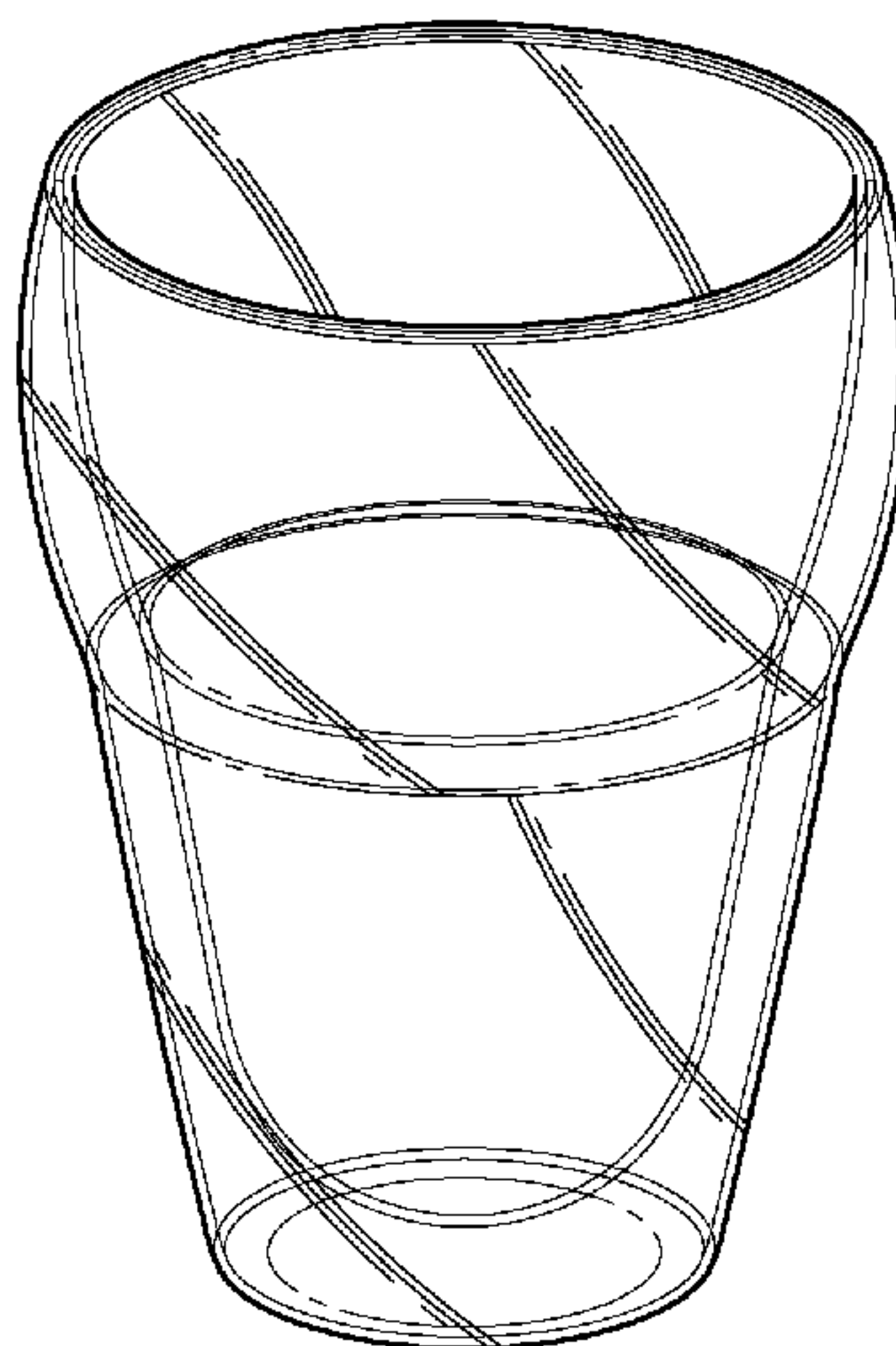
OTHER PUBLICATIONS
Tervis Double Walled Tumbler, Old Fashion style <http://web.archive.org/web/20050210202457/http://custom.tervis.com/>.
Anchor Hocking item #773 <http://web.archive.org/web/20040607140158/www.replacements.com/webquote/AHCBURG.htm>.
Lido by Schott-Zwiesel #121656 <http://web.archive.org/web/20040621062847/www.replacements.com/webquote/SCZLID.htm>.
Venturini Acqua Tumbler GV11/41, c. 2001 http://www.retromodern.com/item_detail.asp?3326.
Libbey Banquet Goblet No. 3714, p. 17, Libbey Catalog, Dec. 9, 1986.*

* cited by examiner
Primary Examiner—T. Chase Nelson
Assistant Examiner—Karen Acker
(74) *Attorney, Agent, or Firm*—Cowan, Liebowitz & Latman, PC

(57) **CLAIM**
The ornamental design for a drinking glass, as shown and described.

DESCRIPTION
FIG. 1 is a perspective view of the drinking glass showing my design thereof;
FIG. 2 is a front view thereof;
FIG. 3 is a top view thereof; and,
FIG. 4 is a bottom view thereof.

1 Claim, 4 Drawing Sheets



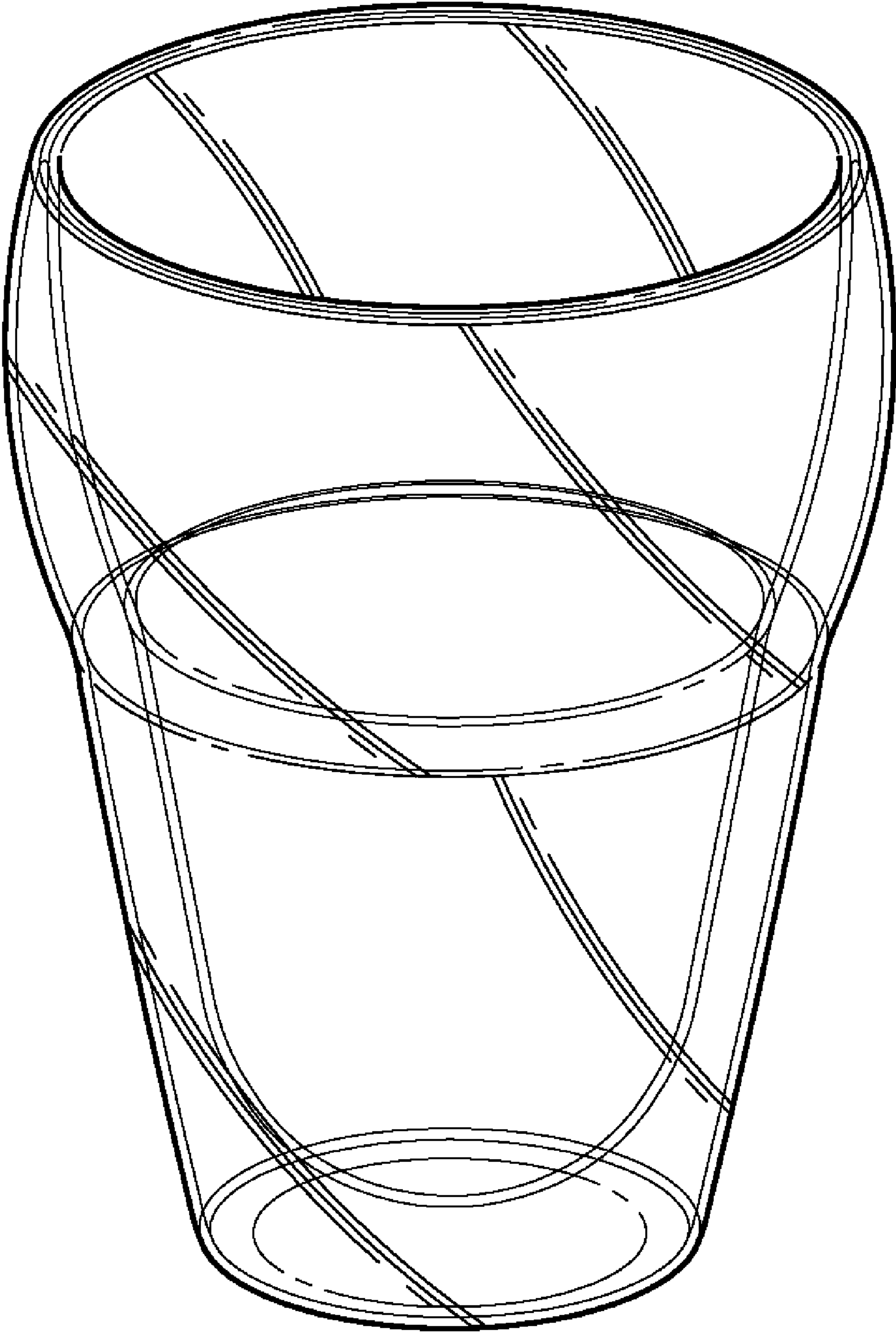


FIG. 1

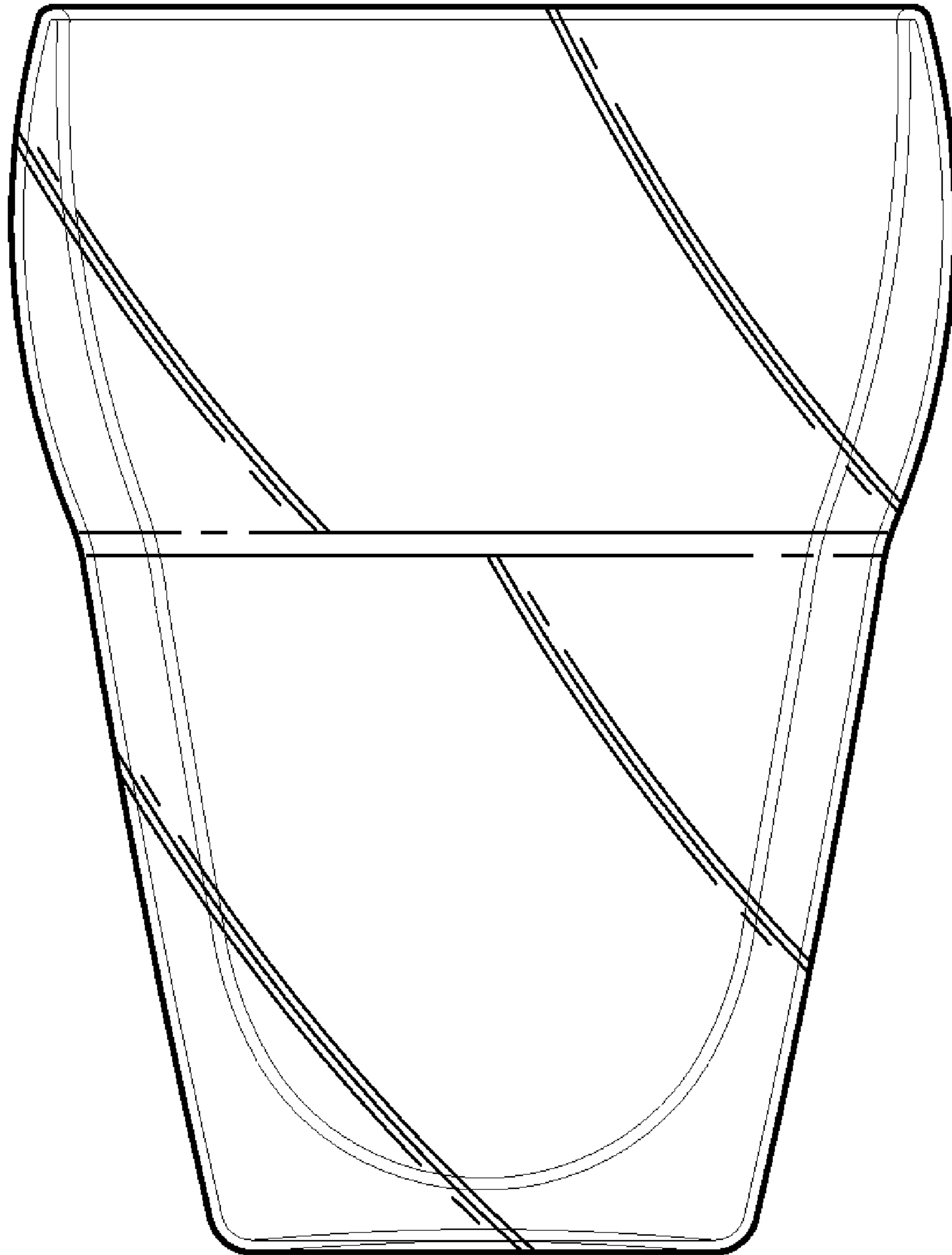


FIG. 2

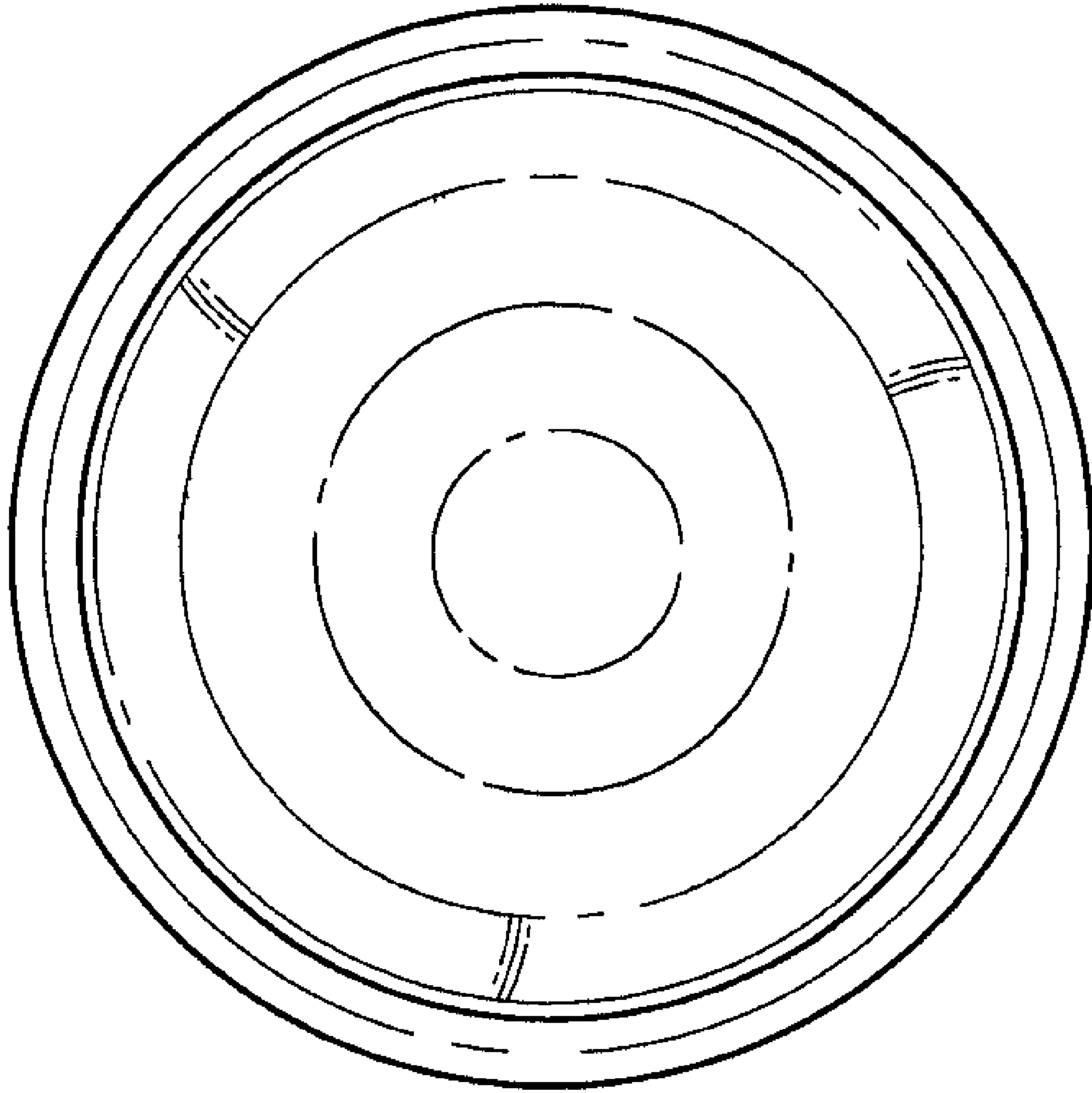


FIG. 3

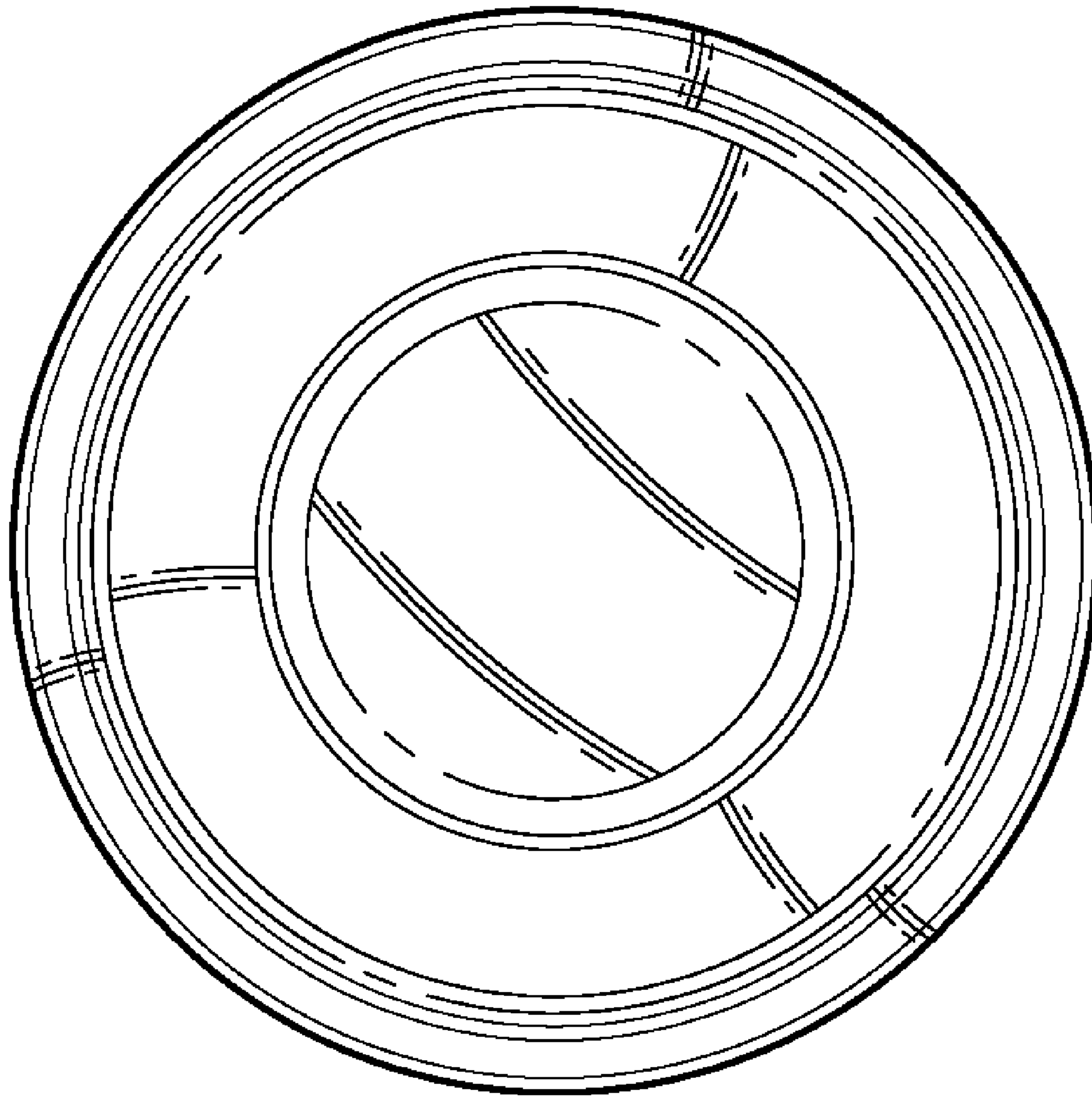


FIG. 4