



US00D565902S

(12) **United States Design Patent**
Bodum

(10) **Patent No.:** **US D565,902 S**

(45) **Date of Patent:** **** Apr. 8, 2008**

(54) **DRINKING GLASS**

D522,405 S * 6/2006 Rocha D11/153
D548,534 S * 8/2007 Sullivan D7/608

(75) Inventor: **Jørgen Bodum**, St. Niklausen (CH)

FOREIGN PATENT DOCUMENTS

(73) Assignee: **Pi-Design AG**, Triengen (CH)

DK MR 1990 01412 * 9/1990
DK MR 1996 01137 * 12/1996

(**) Term: **14 Years**

OTHER PUBLICATIONS

(21) Appl. No.: **29/255,693**

Trevis Double Walled Tumbler Old Fashion Style <http://web.archive.org/web/20050210202457/http://custom.tervis.com/>.
Solara by Dansk Crystal Item #222361 <http://web.archive.org/web/20040711101410/www.replacements.com/webquote/DACSOL.htm>.*

(22) Filed: **Mar. 10, 2006**

Rio-Orange by Dansk Crystal Item #210792 <http://web.archive.org/web/20040612184413/www.replacements.com/webquote/DACRIOOR.htm>.*

(30) **Foreign Application Priority Data**

Sep. 14, 2005 (DK) DA 2005 00260

4101-Blue by Fostoria Item #157867 <http://web.archive.org/web/20040716015704/www.replacements.com/webquote/FOS4101.htm>.*

(51) **LOC (8) Cl.** **07-01**

(52) **U.S. Cl.** **D7/523; D7/500; D7/507**

(58) **Field of Classification Search** D7/392-394,
D7/509-511, 515, 522-524, 528, 529, 531-533,
D7/536, 537, 540, 542, 901; 215/10, 365,
215/376, 377, 382, 384, 387, 392, 394, DIG. 7;
220/62.12, 560, 568, 592.17, 607, 608, 623,
220/659, 662, 669, 710

Drinking Glass Ritmo, ref. 598-2, 2004 http://www.glassbrasil.com/eng/linha_detalle.asp?cod_linha=84.*

Libbey Iced Tea Gov Clinton-11339 from Galasource <http://web.archive.org/web/20050320192152/www.galasource.com/prod-Detail.cfm/18908,ICED+TEA+GOV+CLINTON+12OZ+11339.htm>.*

See application file for complete search history.

* cited by examiner

(56) **References Cited**

U.S. PATENT DOCUMENTS

D79,778 S * 10/1929 Schmidt D7/528
D79,881 S * 11/1929 Fisher D7/528
D111,766 S * 10/1938 Hansen D7/523
D114,568 S * 5/1939 Viatour D7/523
D130,277 S * 11/1941 Eggleton D7/532
3,269,144 A * 8/1966 Poris 62/457.3
D209,225 S * 11/1967 Davis D7/532
D209,308 S * 11/1967 Schilling D7/523
D283,387 S * 4/1986 Durand D7/523
4,756,446 A * 7/1988 Gen et al. 206/457
D404,256 S * 1/1999 Asberg D7/511
D408,221 S * 4/1999 Asberg D7/511
D457,395 S * 5/2002 Gluck D7/510
D471,404 S * 3/2003 Gady D7/523
D475,243 S * 6/2003 Trazzi D7/532
D486,695 S * 2/2004 Chuang D7/532
D490,274 S * 5/2004 Irvine D7/603
D519,785 S * 5/2006 Bodum D7/523

Primary Examiner—T. Chase Nelson

Assistant Examiner—Karen Acker

(74) *Attorney, Agent, or Firm*—Cowan, Liebowitz & Latman, PC

(57) **CLAIM**

The ornamental design for a drinking glass, as shown and described.

DESCRIPTION

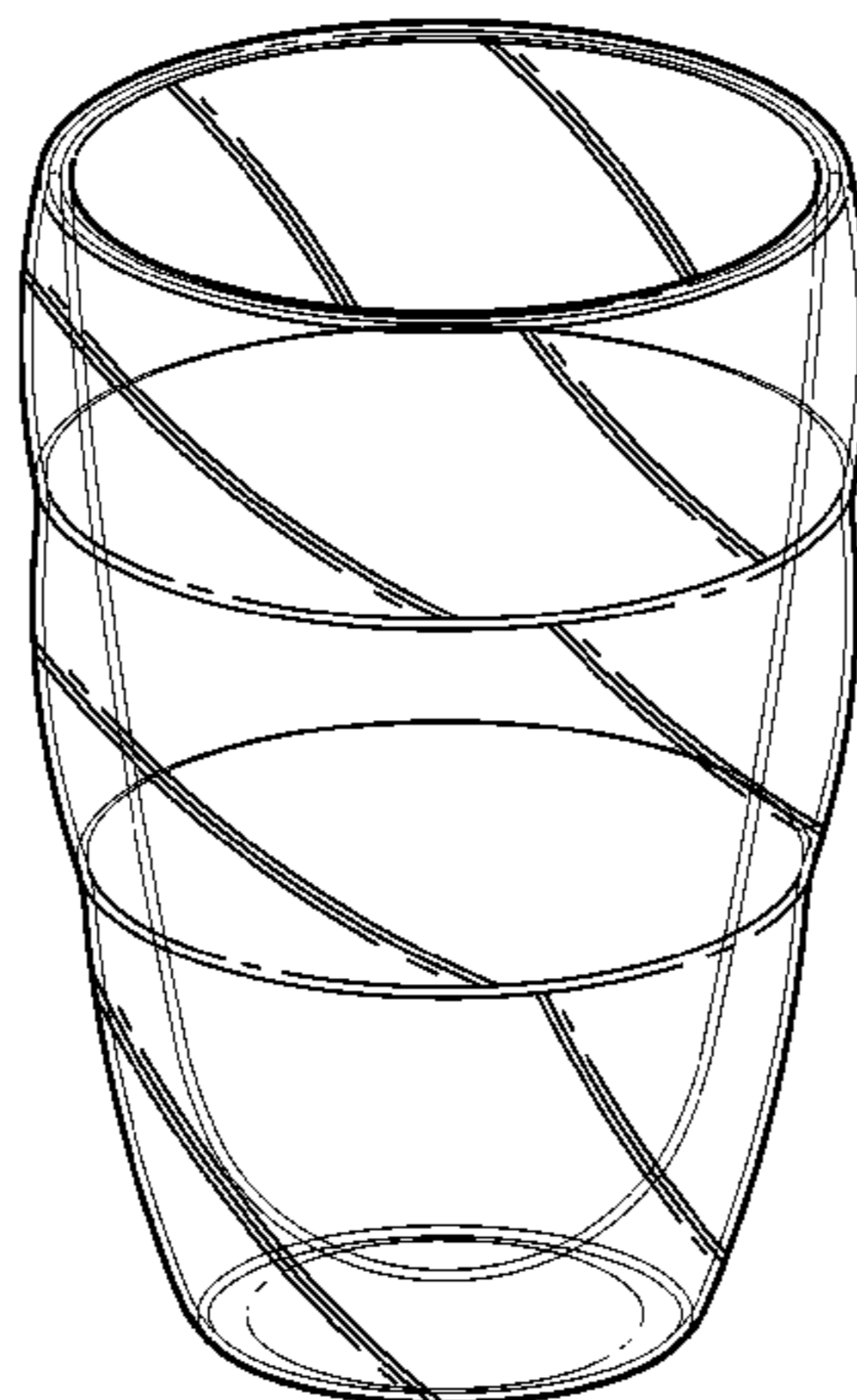
FIG. 1 is a perspective view of the drinking glass showing my design thereof;

FIG. 2 is a front view thereof;

FIG. 3 is a top view thereof; and,

FIG. 4 is a bottom view thereof.

1 Claim, 4 Drawing Sheets



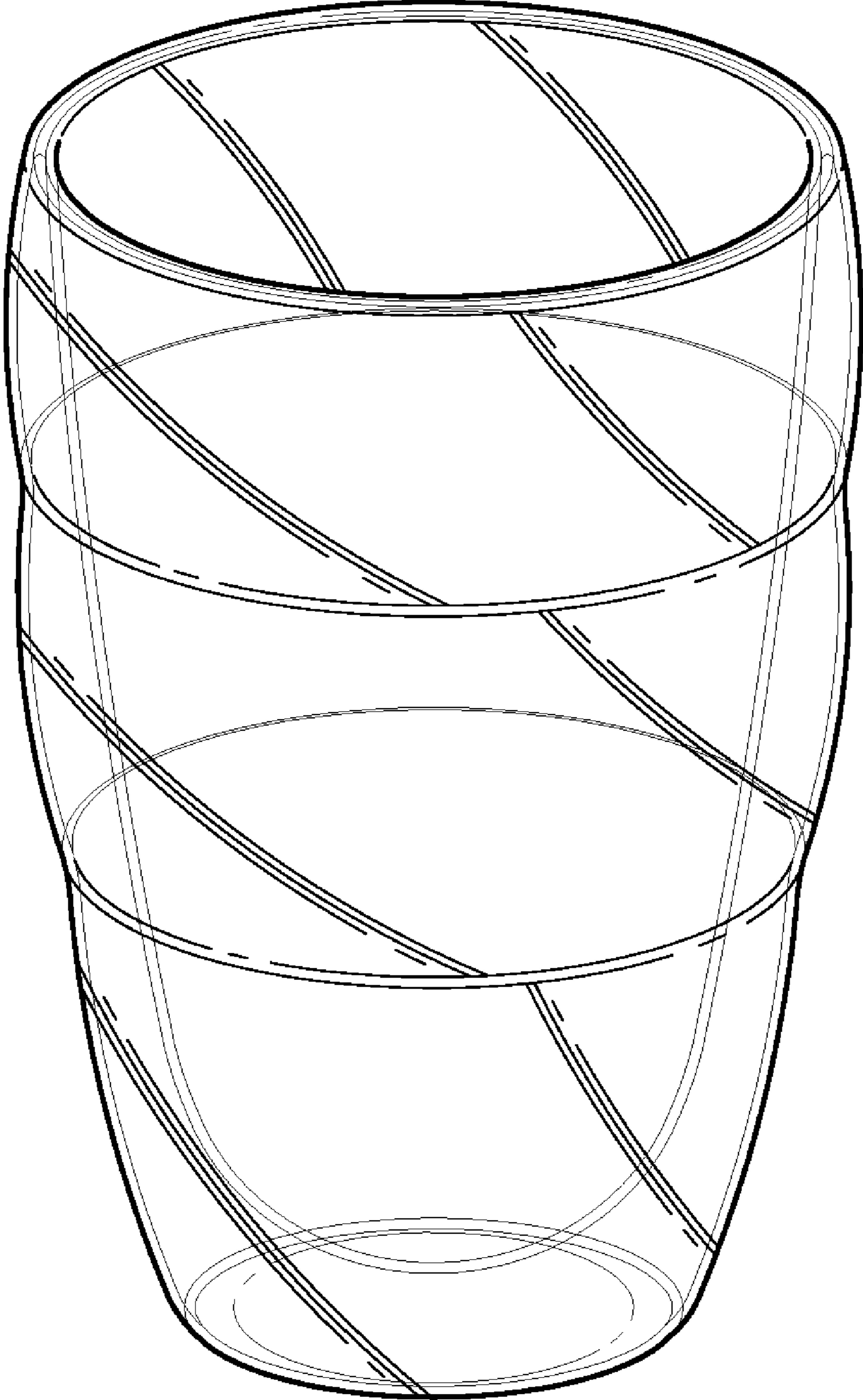


FIG. 1

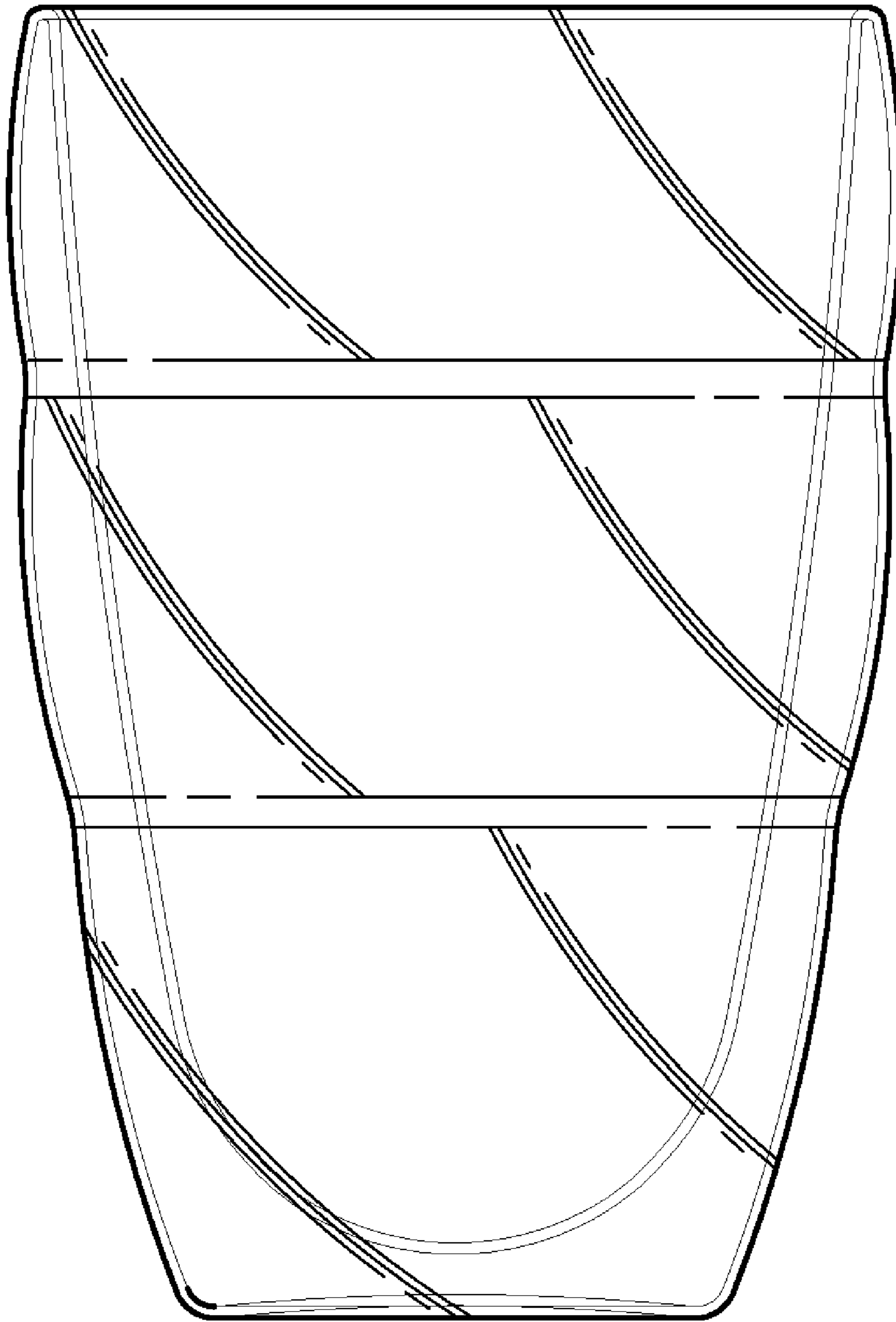


FIG. 2

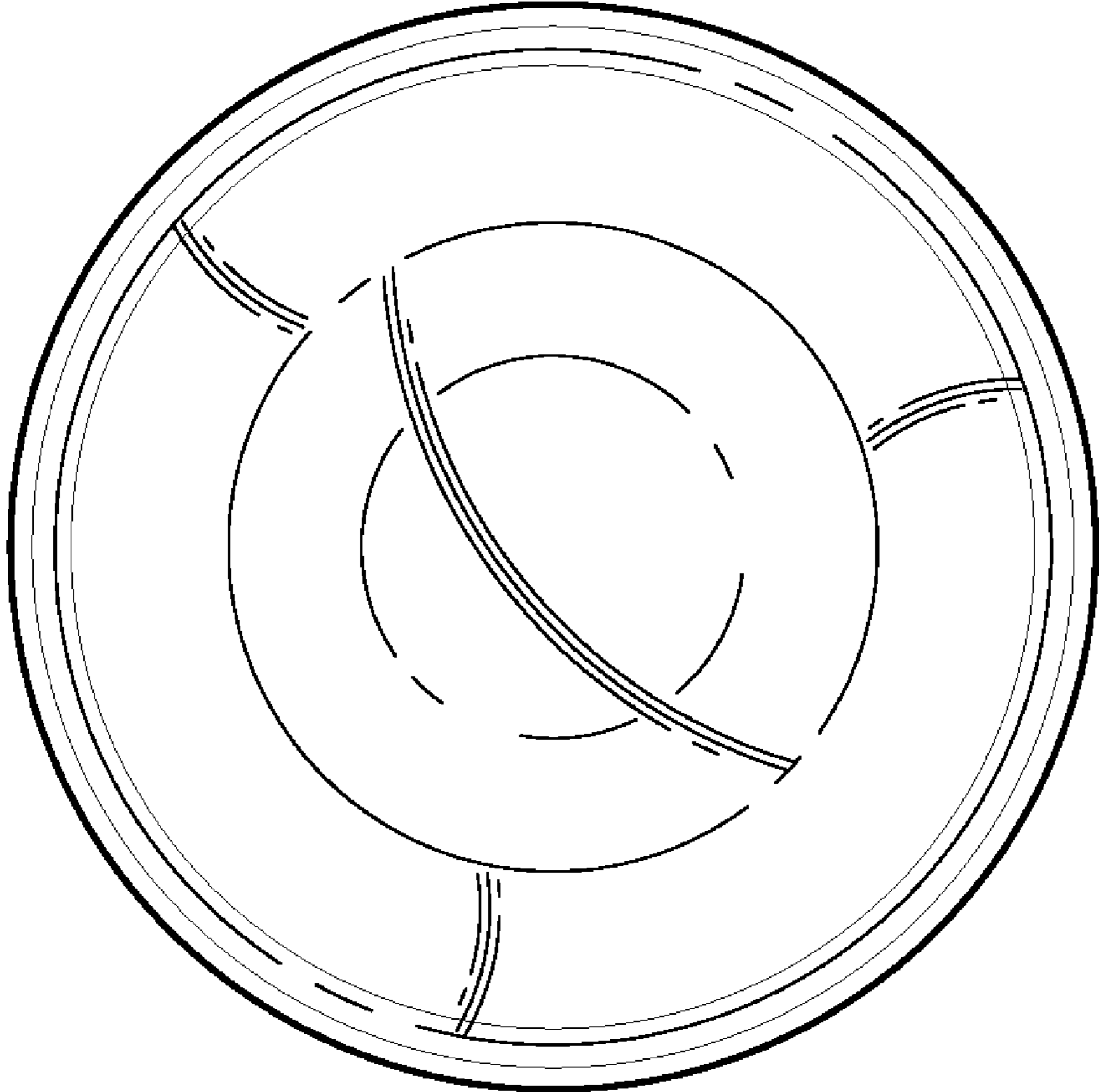


FIG. 3

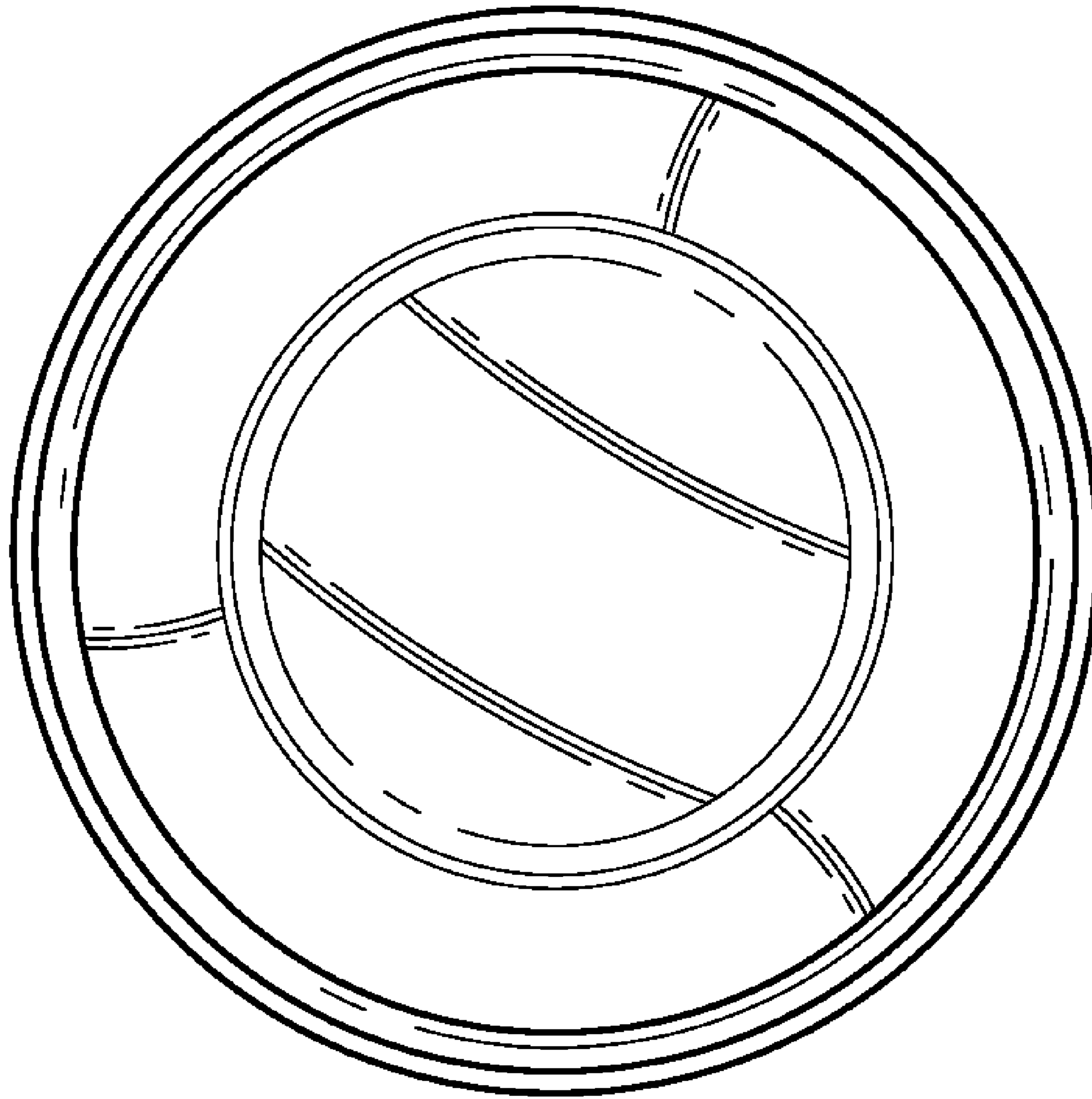


FIG. 4