



US00D565901S

(12) **United States Design Patent**
Edelstein et al.

(10) **Patent No.: US D565,901 S**
(45) **Date of Patent: ** Apr. 8, 2008**

(54) **BEVERAGE BOTTLE**

(75) Inventors: **Fredric Edelstein**, Philadelphia, PA
(US); **Emory Krall**, Philadelphia, PA
(US)

(73) Assignee: **CDI International, Inc.**, West Chester,
PA (US)

(**) Term: **14 Years**

(21) Appl. No.: **29/250,386**

(22) Filed: **Nov. 13, 2006**

(51) **LOC (8) Cl.** **07-01**

(52) **U.S. Cl.** **D7/510; D7/523**

(58) **Field of Classification Search** D7/500,
D7/509, 510, 523, 533, 536; D9/522, 778;
62/457.4; 206/217; 215/DIG. 7; 220/254.9,
220/495.03, 592.17, 675, 703
See application file for complete search history.

(56) **References Cited**

U.S. PATENT DOCUMENTS

3,765,559 A * 10/1973 Sauey et al. 220/592.16
D353,297 S * 12/1994 Sokolski et al. D7/387
5,427,269 A * 6/1995 Willbrandt 220/669
D372,868 S * 8/1996 Kobayashi et al. D9/778
5,769,266 A * 6/1998 Willbrandt 220/669

D416,757 S * 11/1999 Ginuntoli D7/523
D436,295 S * 1/2001 Furman et al. D7/523
D490,272 S * 5/2004 Rohe D7/510
D531,454 S * 11/2006 Zerillo et al. D7/533
D533,748 S * 12/2006 Bresler D7/523
D537,676 S * 3/2007 Kingsley D7/510
D537,677 S * 3/2007 Bresler D7/523

* cited by examiner

Primary Examiner—Philip S. Hyder

Assistant Examiner—Cynthia Underwood

(74) *Attorney, Agent, or Firm*—Cook, Alex, McFarron,
Manzo, Cummings & Mehler, Ltd.

(57) **CLAIM**

The ornamental design for a beverage bottle, as shown and described.

DESCRIPTION

FIG. 1 is a perspective side and top view of one side of the beverage bottle of the present invention;

FIG. 2 is side views of the beverage bottle of FIG. 1;

FIG. 3 is a top view of the beverage bottle of FIG. 1;

FIG. 4 is a back view of the beverage bottle of FIG. 1;

FIG. 5 is a front view of the beverage bottle of FIG. 1; and,

FIG. 6 is a bottom view of the beverage bottle of FIG. 1.

1 Claim, 2 Drawing Sheets

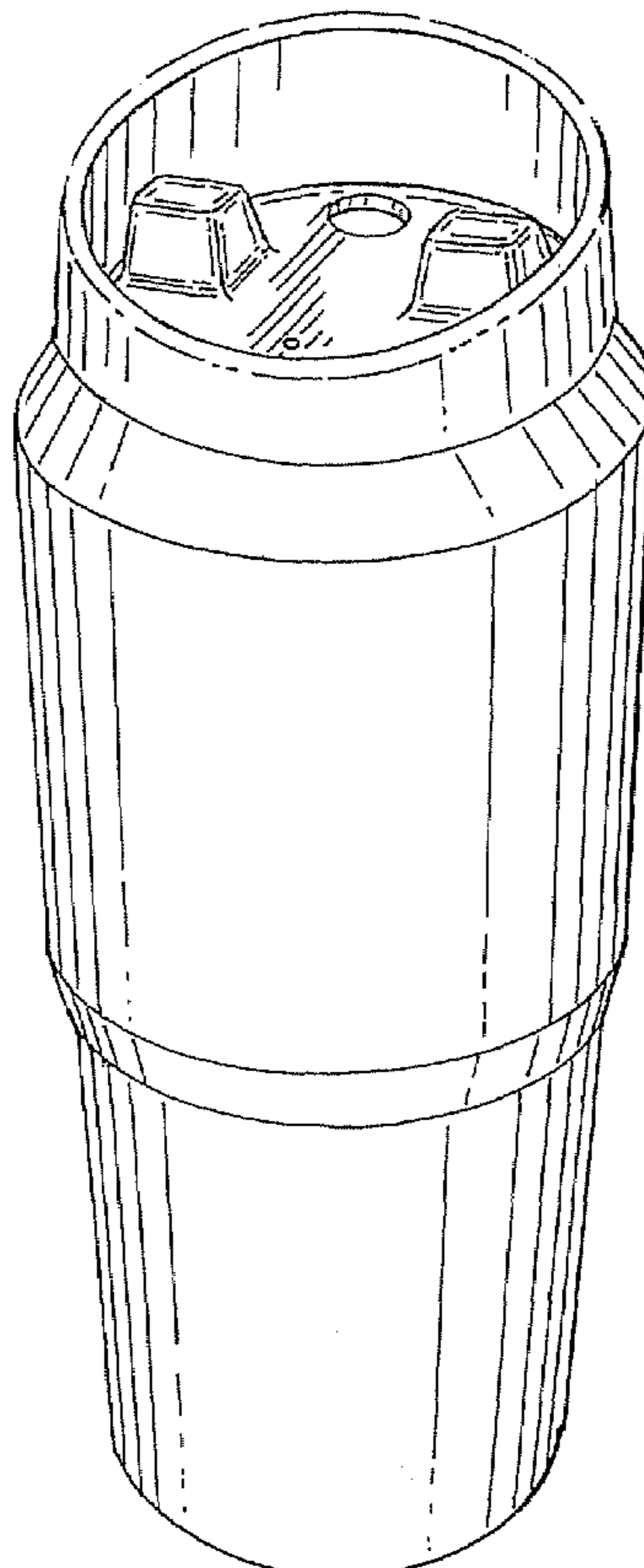


FIG. 1

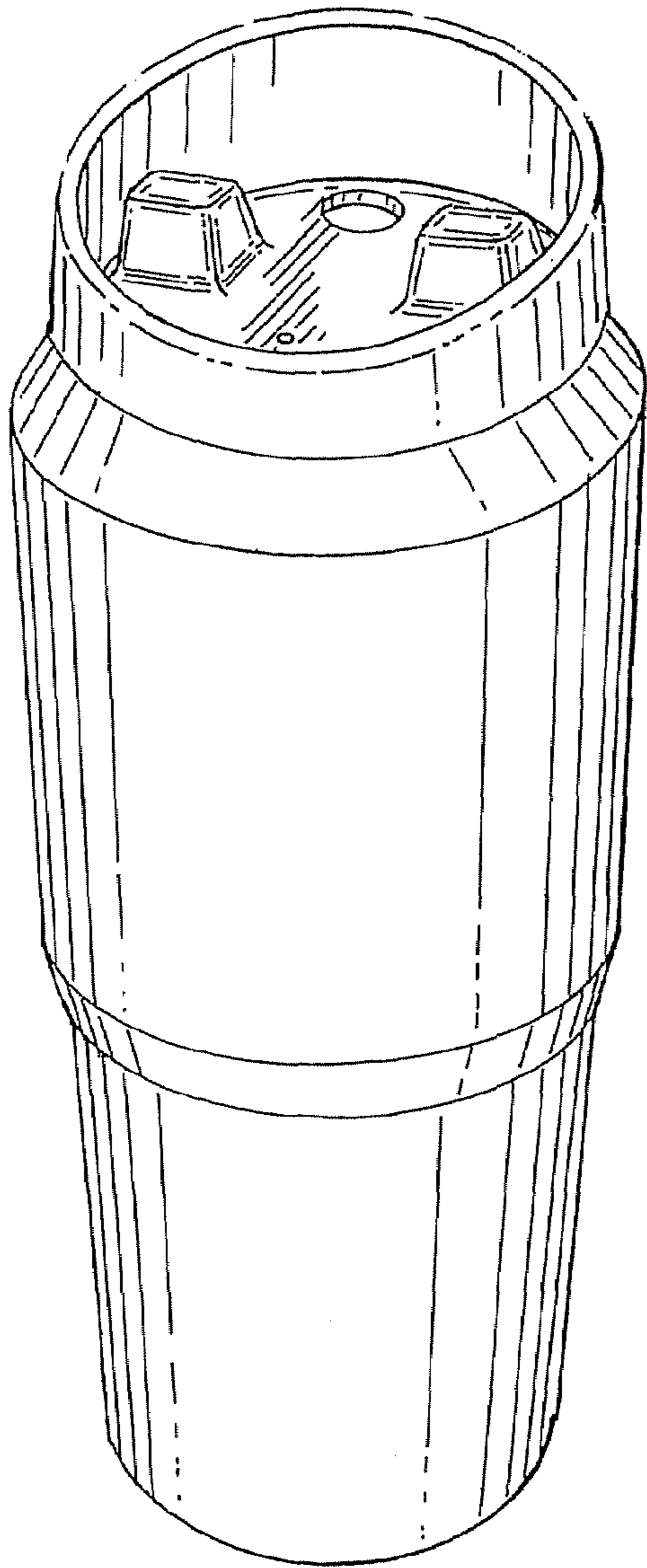


FIG. 2

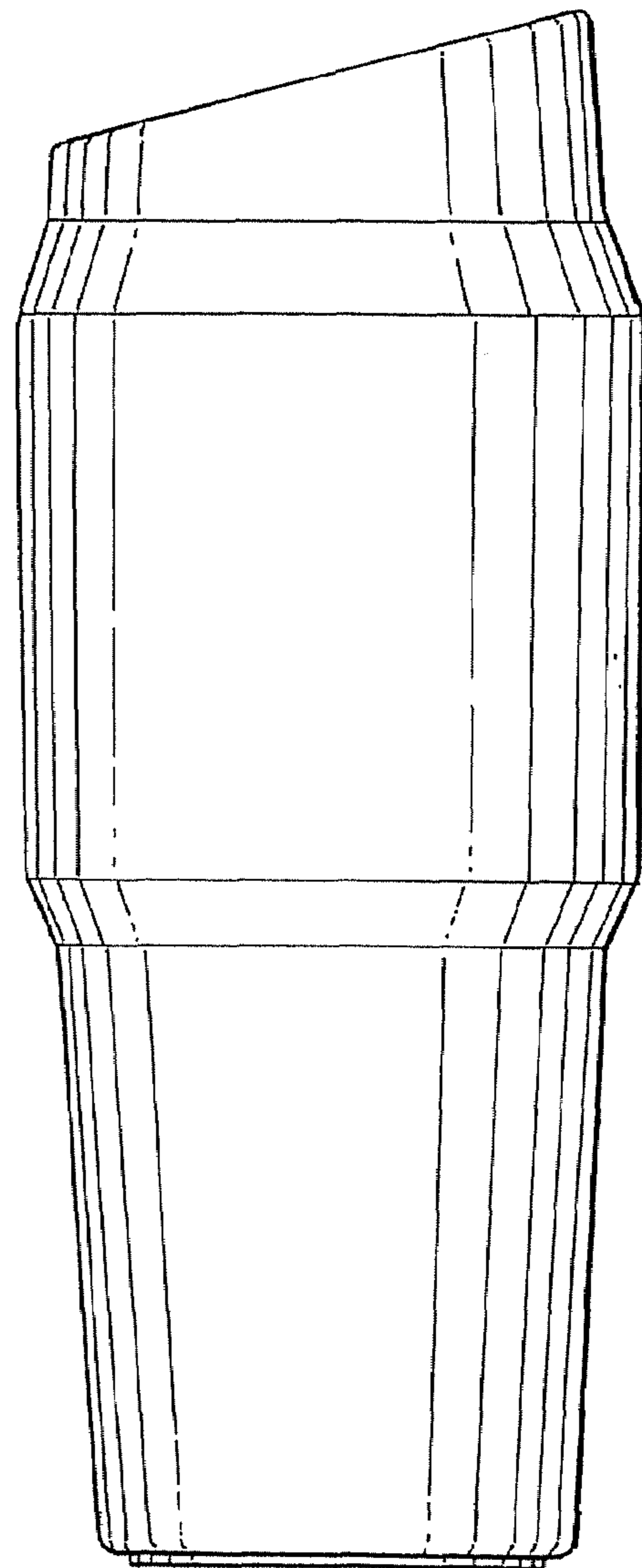


FIG. 3

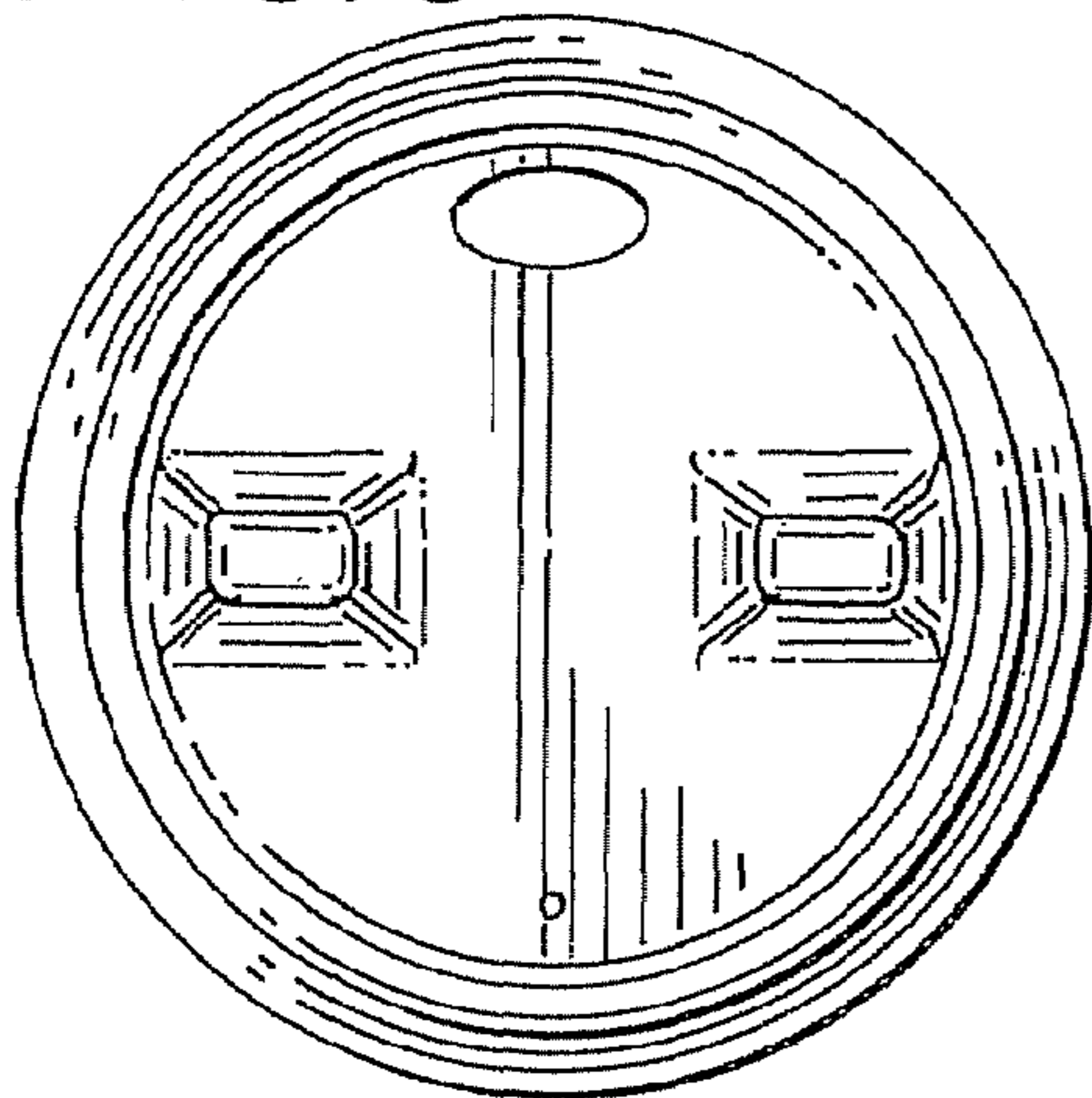


FIG. 4

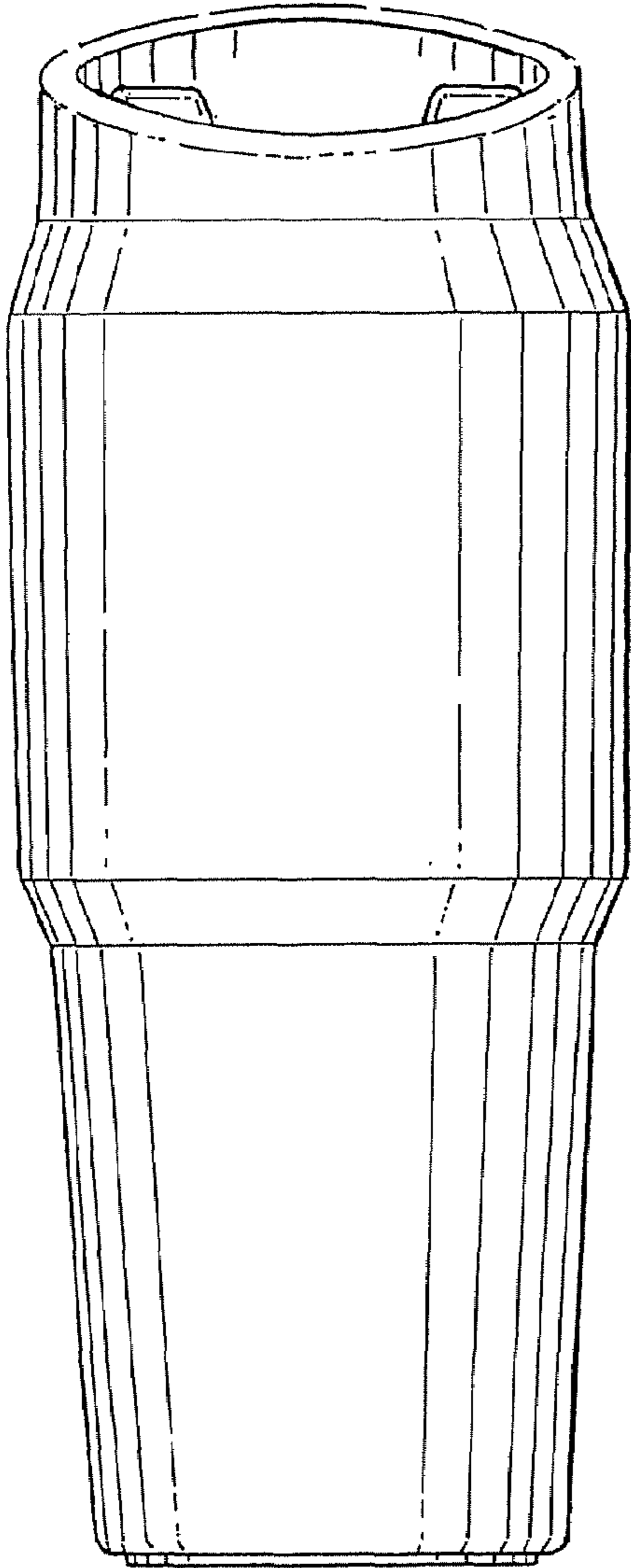


FIG. 5

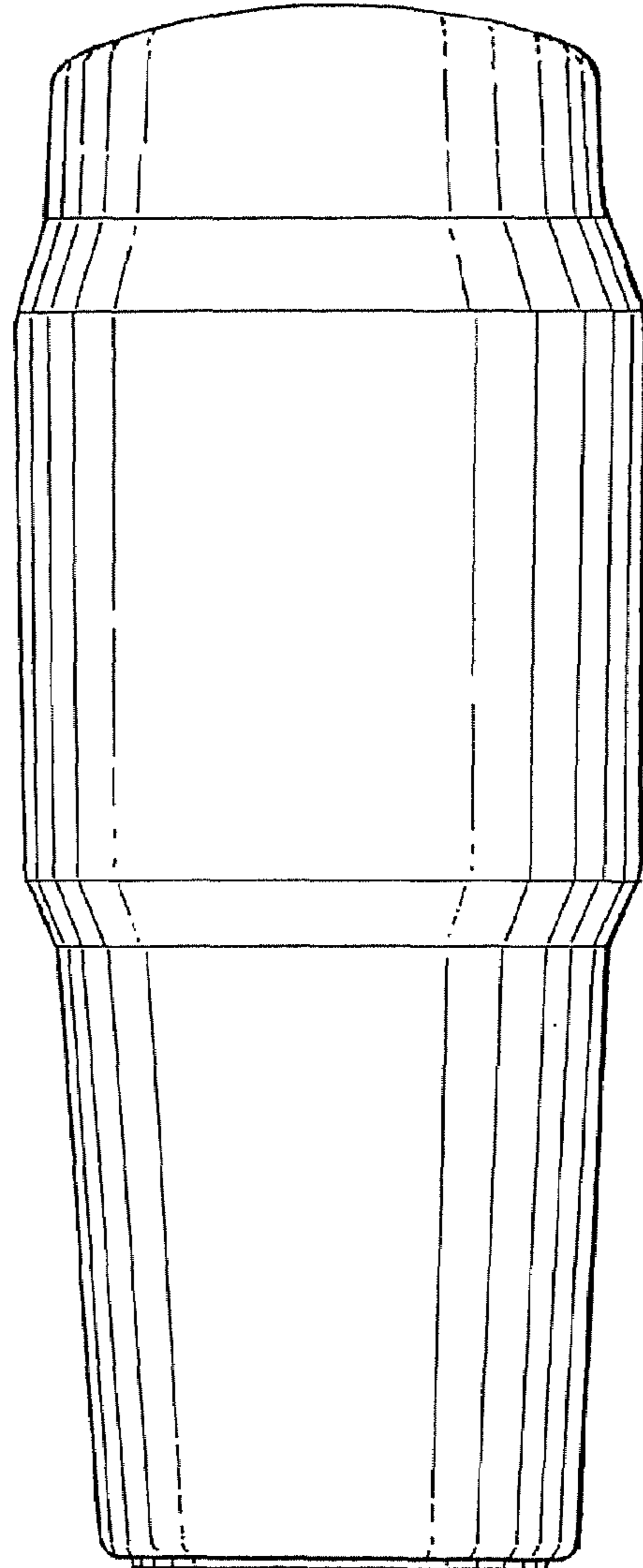


FIG. 6

