



US00D565898S

(12) **United States Design Patent** (10) **Patent No.:** **US D565,898 S**
Pryor (45) **Date of Patent:** **** Apr. 8, 2008**

(54) **BURNER CAP**

2007/0128563 A1* 6/2007 Subramanian et al. 431/278

(75) Inventor: **William Michael Pryor**, Portland, TN
(US)

OTHER PUBLICATIONS

Nine (9) photographs of burners manufactured by HN Engineering of Chico, California.

(73) Assignee: **Electrolux Home Products, Inc.**,
Cleveland, OH (US)

* cited by examiner

(**) Term: **14 Years**

Primary Examiner—Robert A. Delehanty

Assistant Examiner—Mark Cavanna

(21) Appl. No.: **29/284,247**

(74) *Attorney, Agent, or Firm*—Banner & Witcoff, Ltd

(22) Filed: **Sep. 4, 2007**

(57) **CLAIM**

(51) **LOC (8) Cl.** **07-02**

The ornamental design for a burner cap, as shown and described.

(52) **U.S. Cl.** **D7/407**

(58) **Field of Classification Search** D7/339–340,
D7/346, 402, 407, 213; 29/557; 126/39 E,
126/39 R, 215; 431/264, 266, 278, 349,
431/354

DESCRIPTION

See application file for complete search history.

FIG. 1 is a perspective view of a burner cap showing my new design;

FIG. 2 is a front view thereof;

FIG. 3 is a rear view thereof;

FIG. 4 is a side view thereof;

FIG. 5 is alternate side view thereof;

FIG. 6 is a top view thereof;

FIG. 7 is a perspective view of an alternate embodiment of my new design;

FIG. 8 is a front view thereof;

FIG. 9 is a rear view thereof;

FIG. 10 is a side view thereof;

FIG. 11 is an alternate side view thereof; and,

FIG. 12 is a top view thereof.

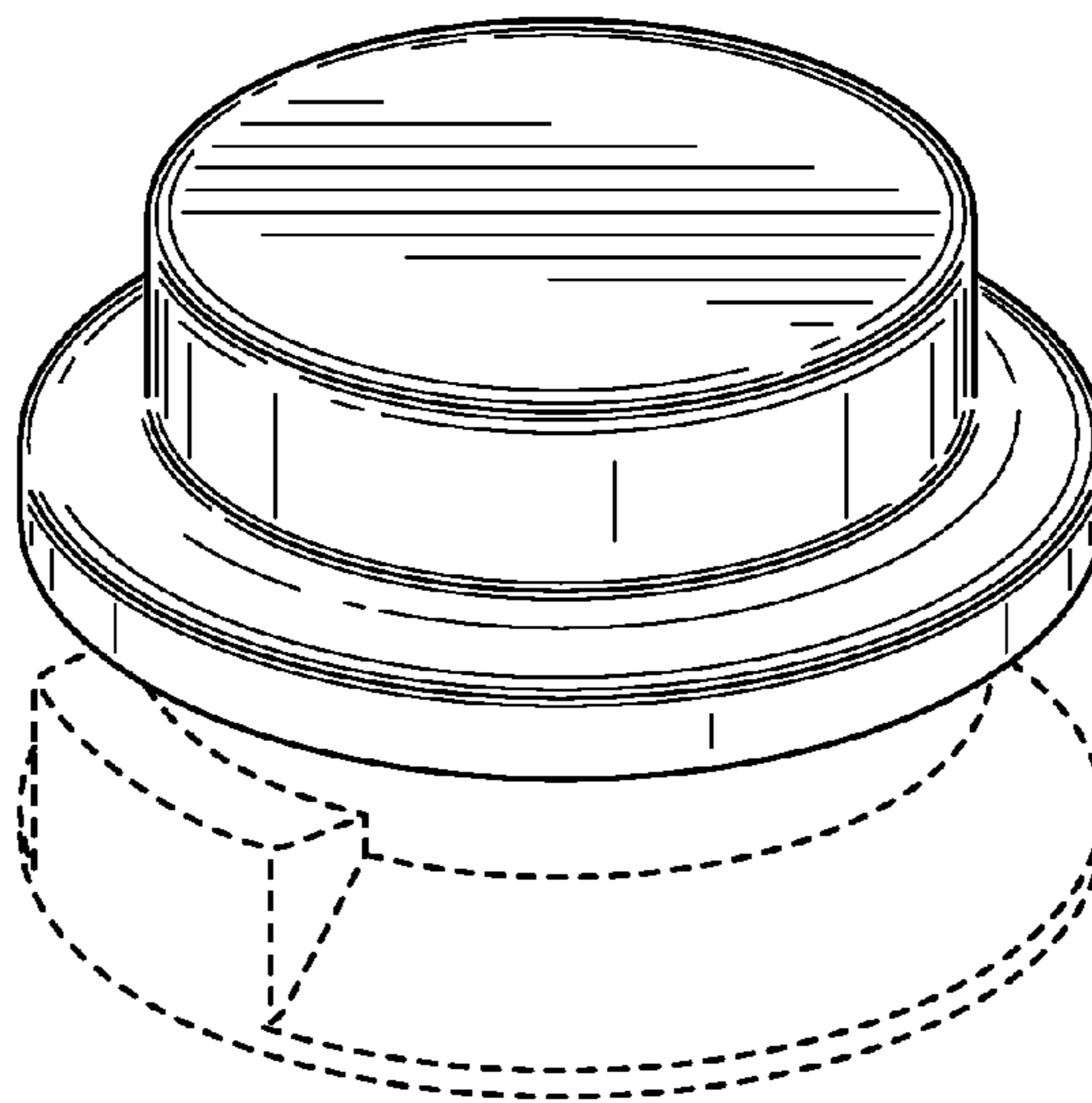
The broken line showing of the remainder of the burner assembly is for illustrative purposes only and forms no part of the claimed design.

(56) **References Cited**

U.S. PATENT DOCUMENTS

D309,233	S	*	7/1990	Lund	D7/407
D309,398	S	*	7/1990	Lund	D7/407
5,397,234	A	*	3/1995	Kwiatek	431/264
5,690,483	A	*	11/1997	Oda et al.	431/266
D388,659	S	*	1/1998	Doyle et al.	D7/407
6,070,324	A	*	6/2000	Kwiatek et al.	29/557
6,135,764	A	*	10/2000	Kwiatek	431/266
6,146,132	A	*	11/2000	Harneit	431/354
6,244,263	B1	*	6/2001	Schlosser et al.	126/39 R
6,607,378	B2	*	8/2003	Harneit et al.	431/354
6,817,355	B1	*	11/2004	Hawkins et al.	126/39 R
7,017,572	B2	*	3/2006	Cadima	126/39 E
7,040,890	B2	*	5/2006	Todoli et al.	431/266
2002/0034713	A1	*	3/2002	Harneit et al.	431/266
2004/0200469	A1	*	10/2004	Atkinson et al.	431/266
2005/0112520	A1	*	5/2005	Todoli et al.	431/349
2005/0250065	A1	*	11/2005	Carbone et al.	431/354
2006/0207588	A1	*	9/2006	Staebler et al.	126/215

1 Claim, 8 Drawing Sheets



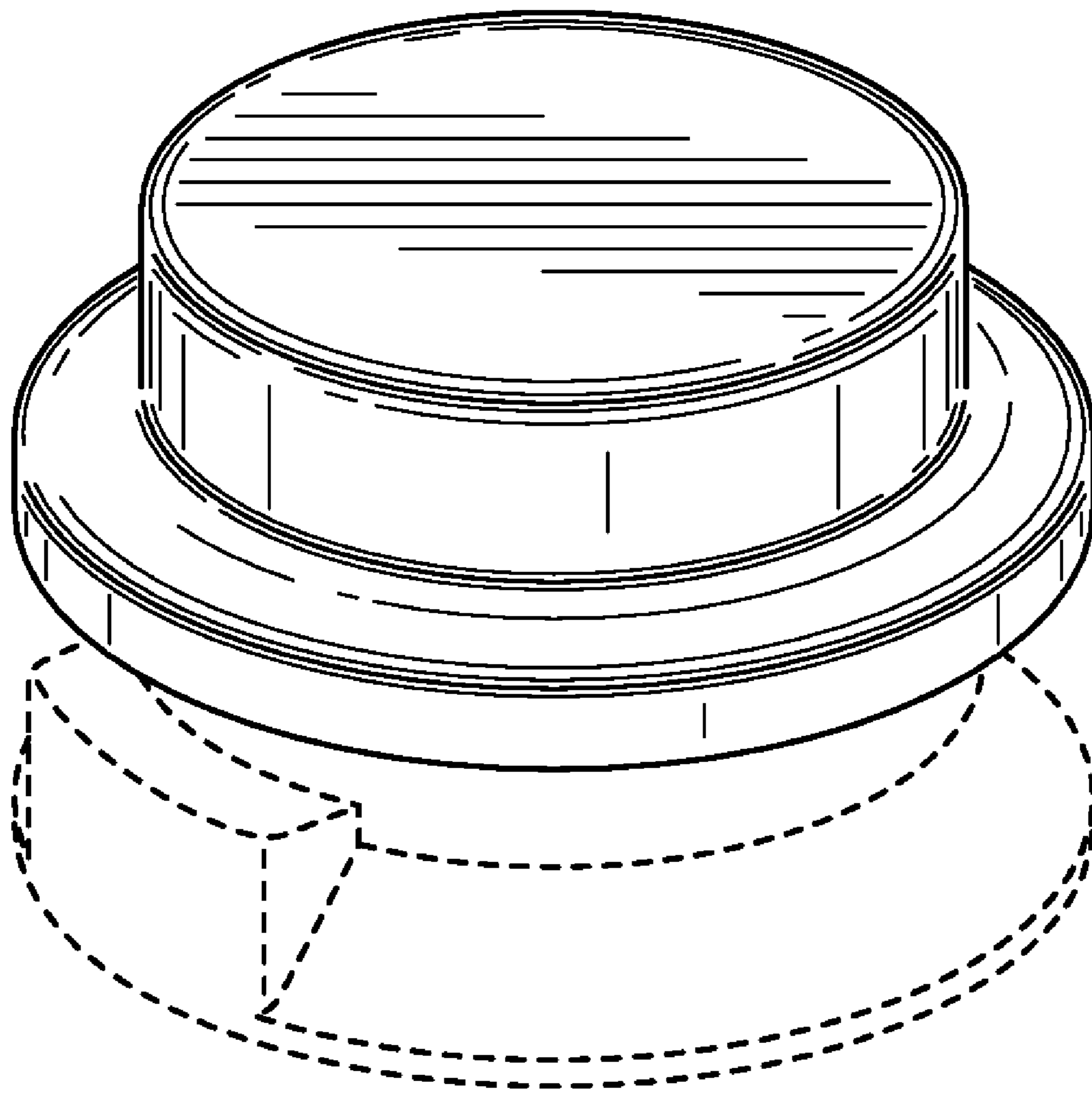


FIG. 1

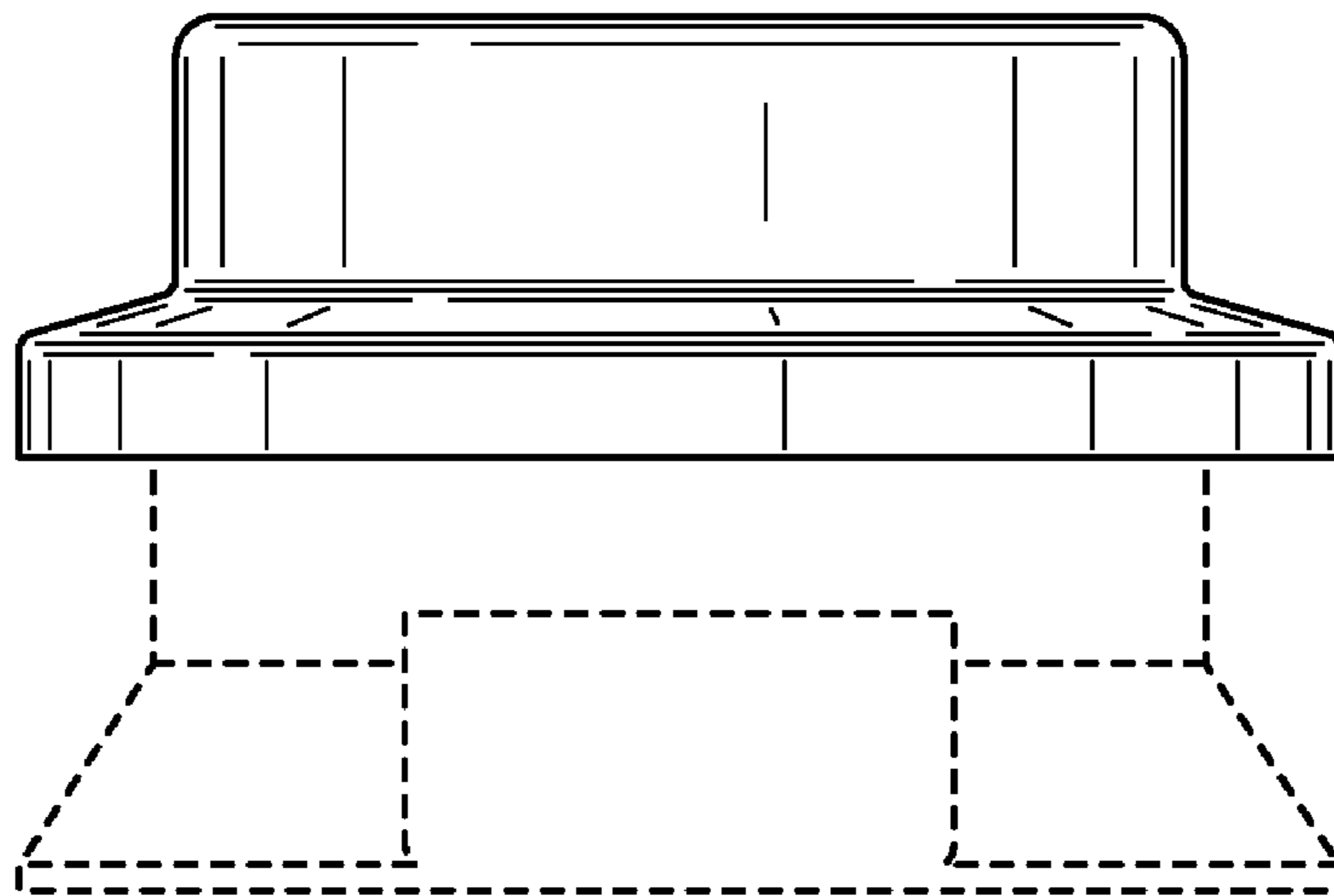


FIG. 2

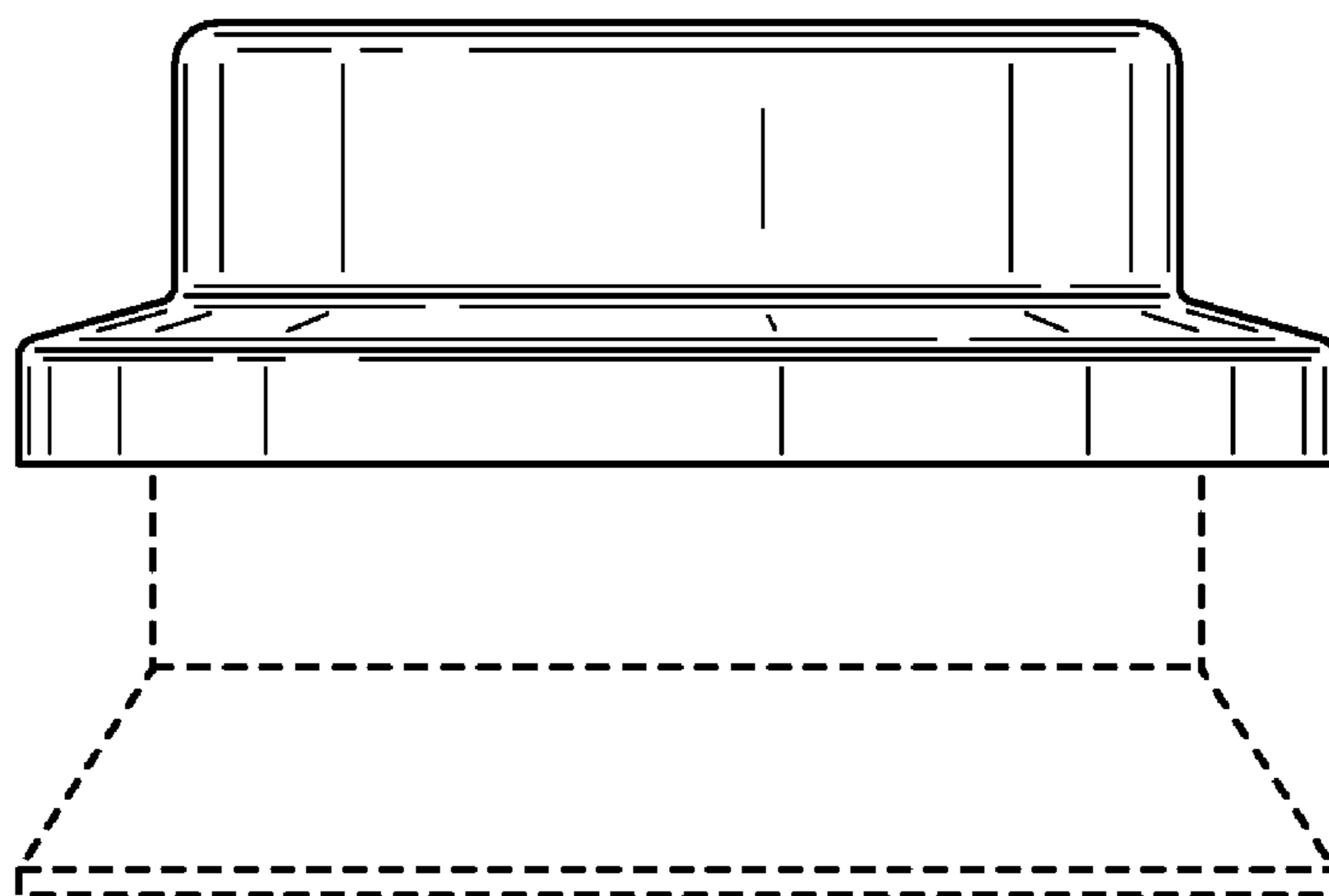


FIG. 3

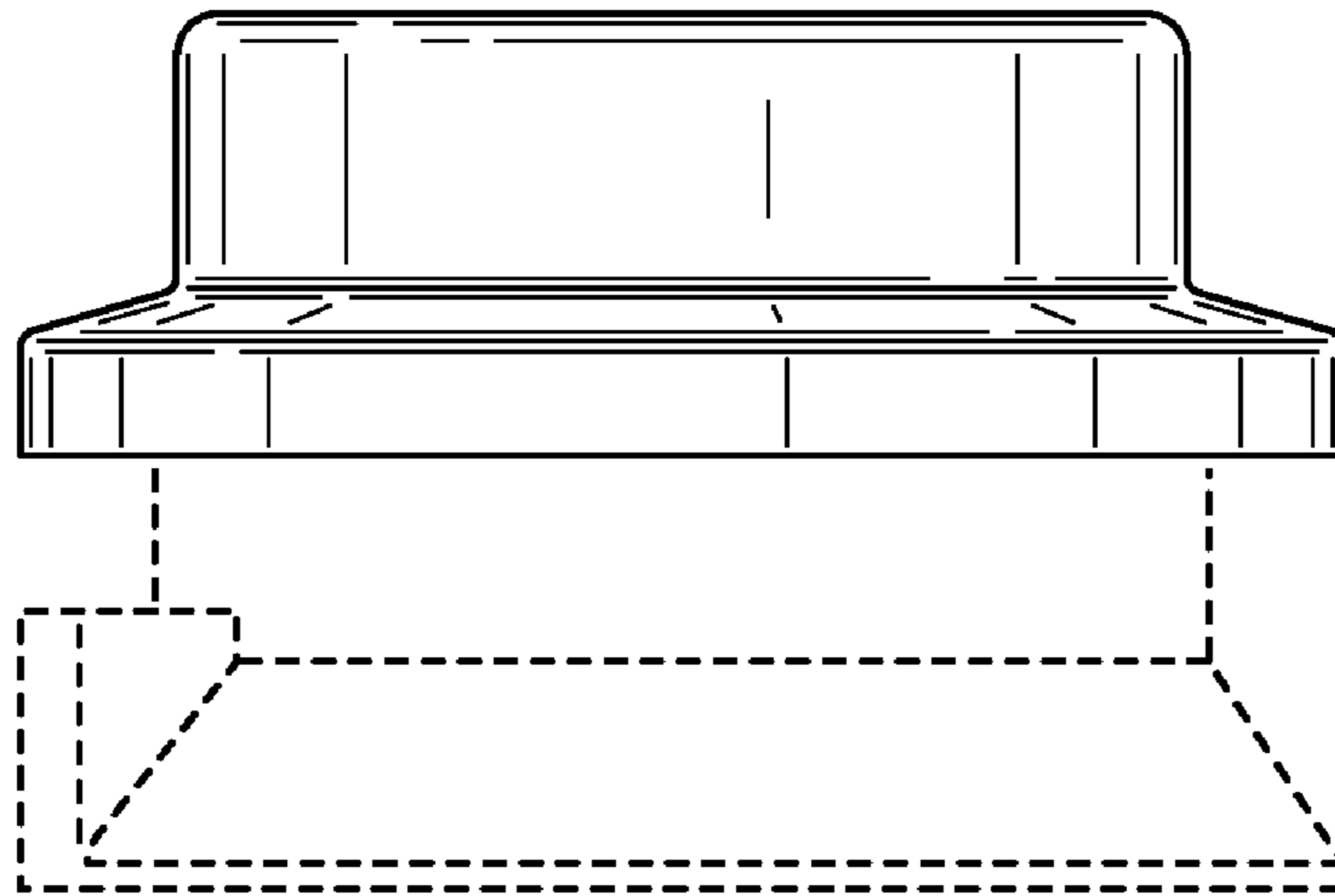


FIG. 4

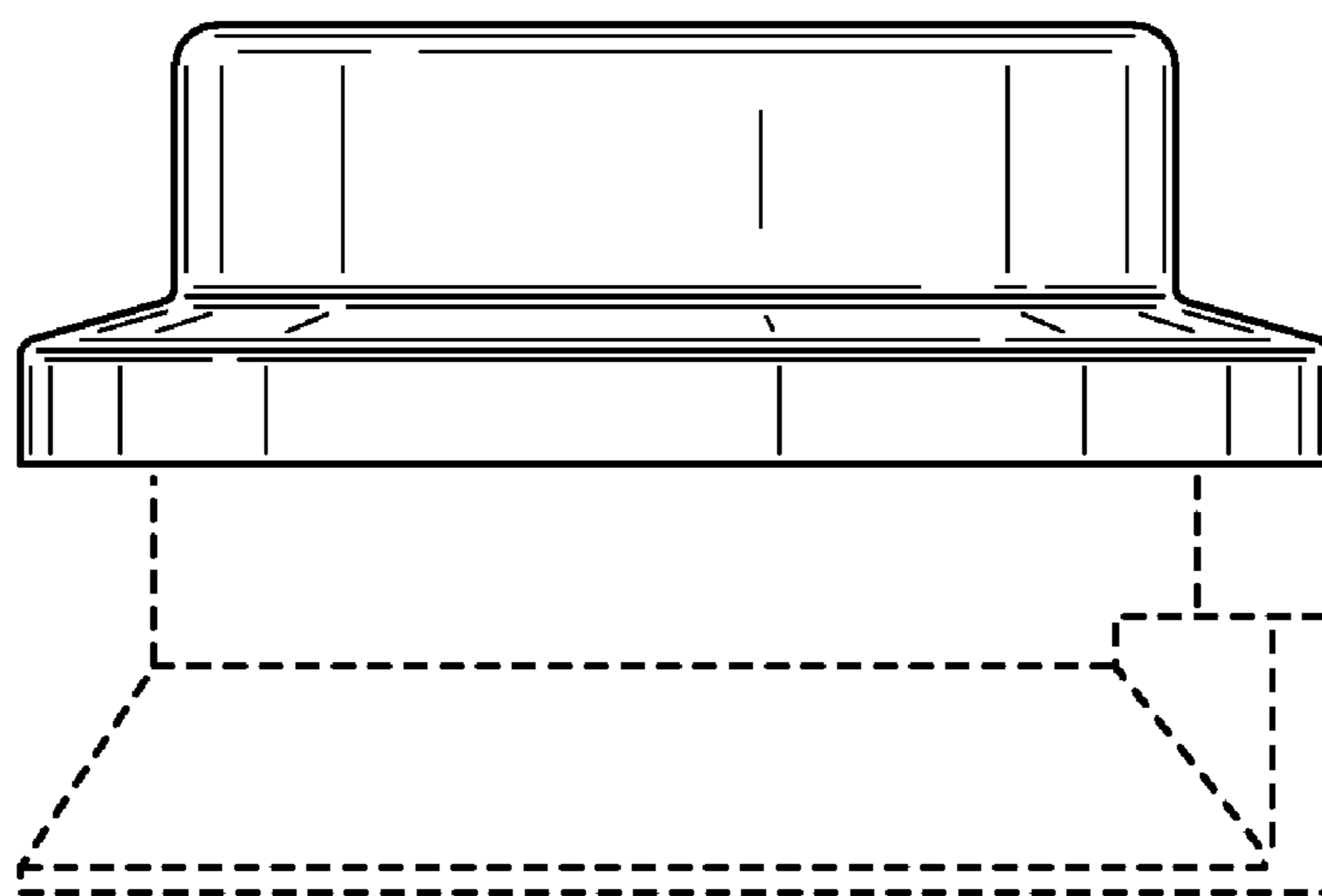


FIG. 5

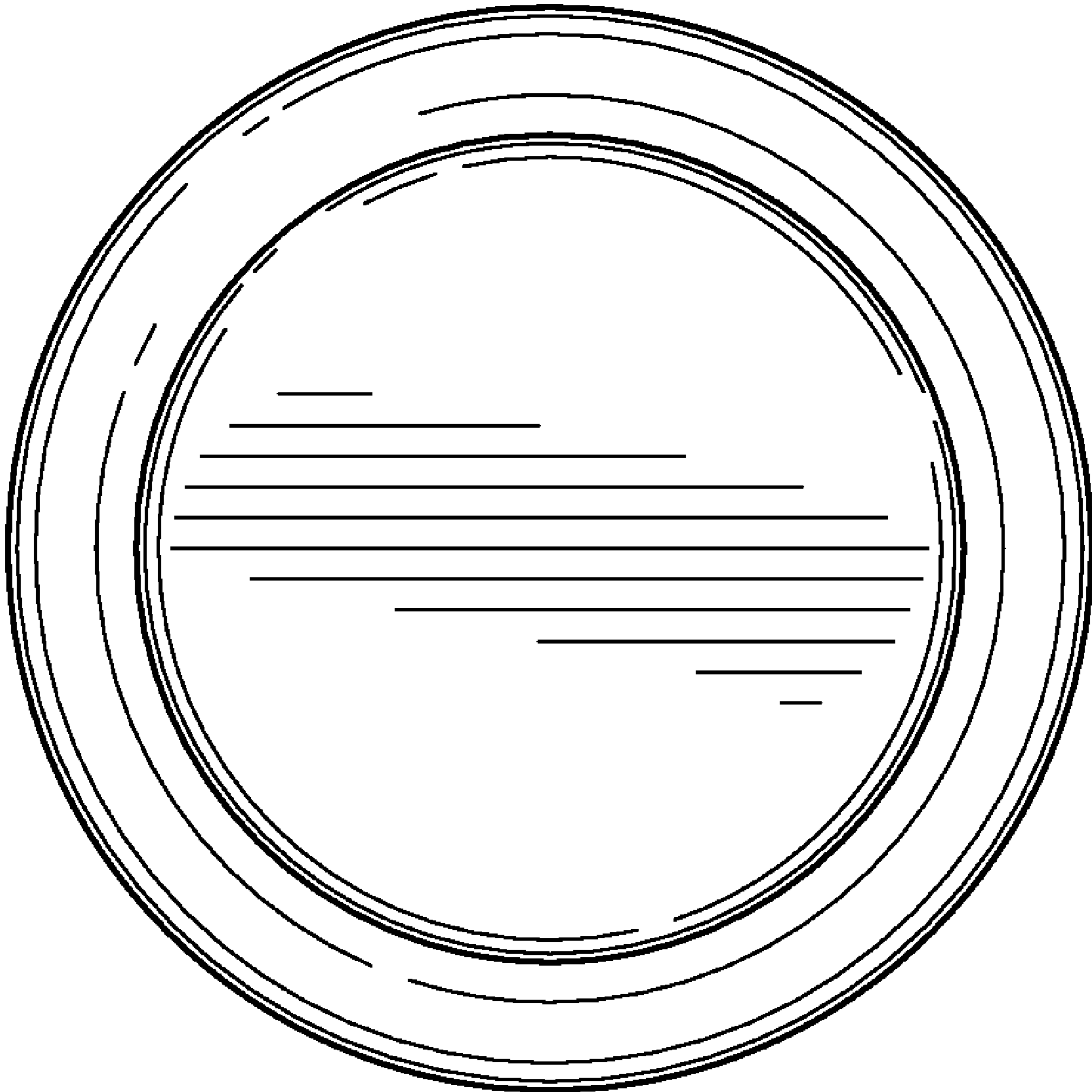


FIG. 6

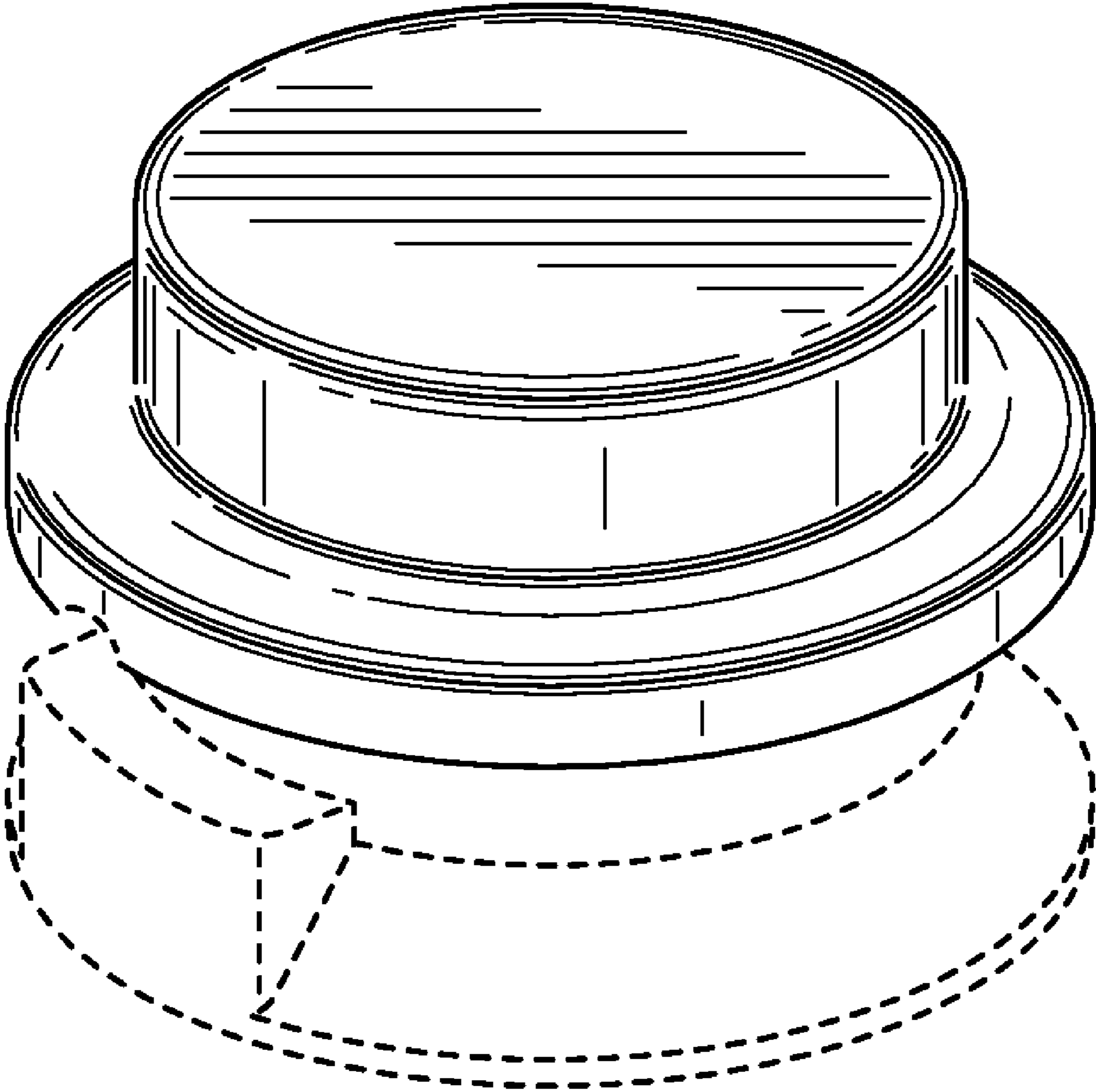


FIG. 7

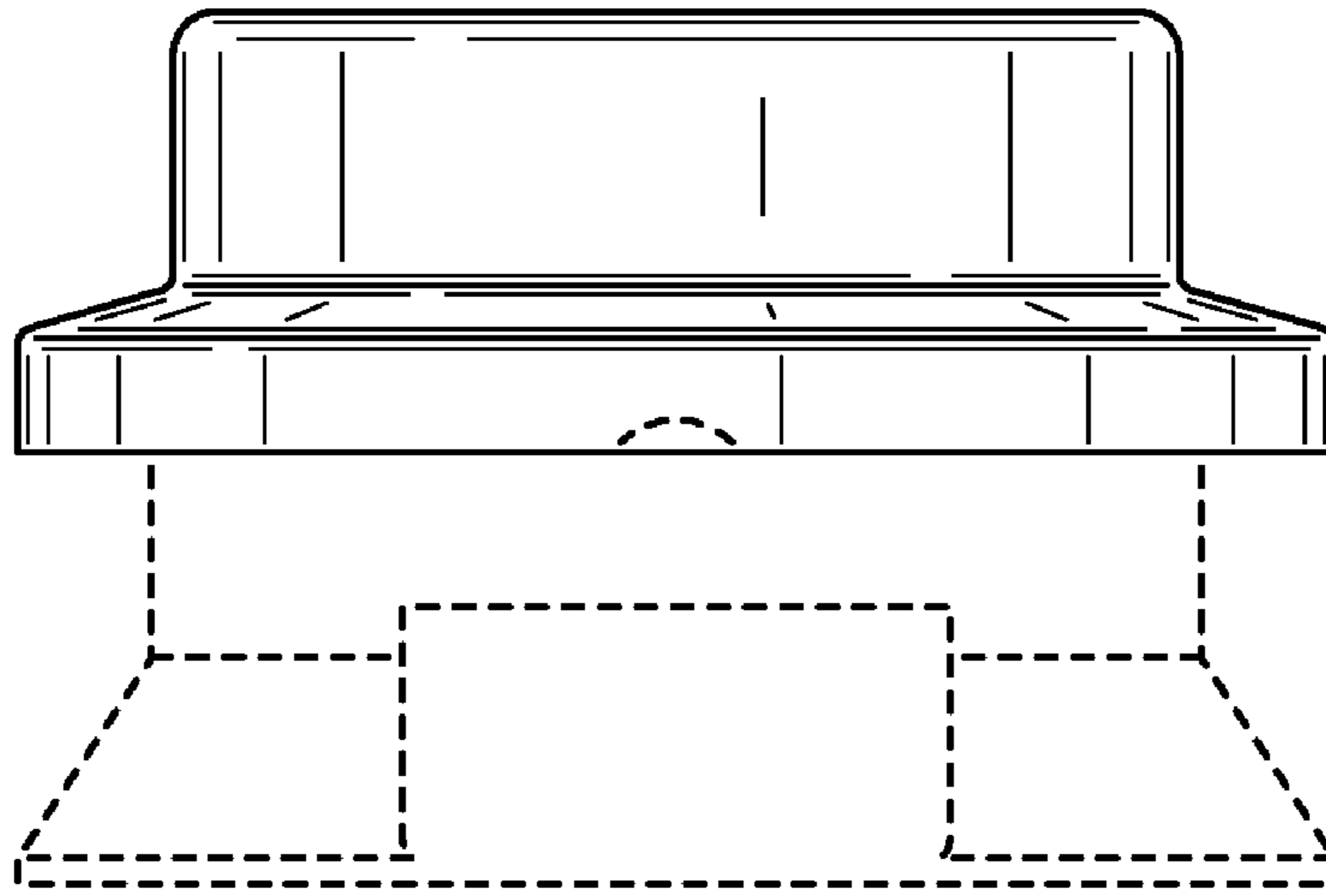


FIG. 8

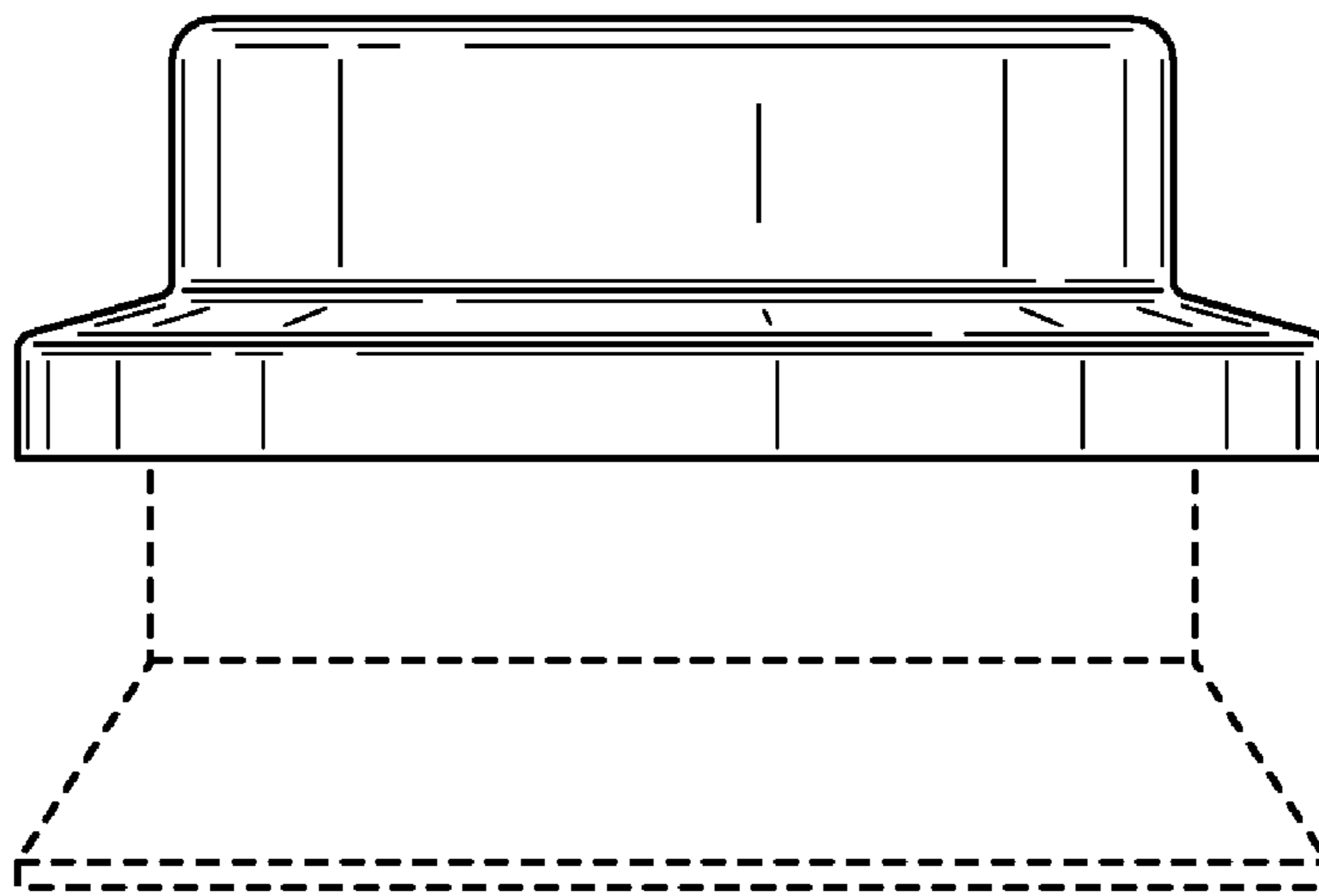


FIG. 9

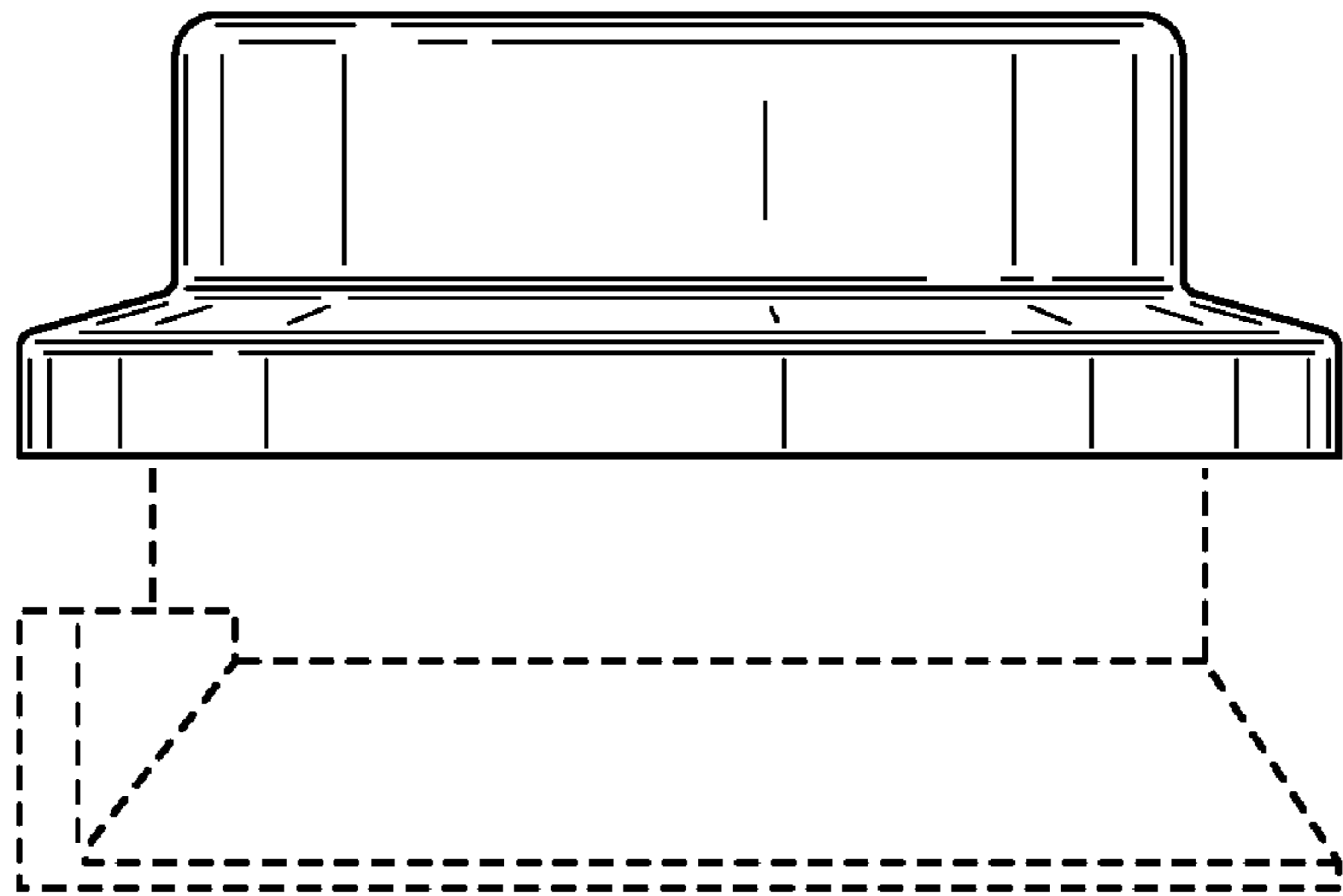


FIG. 10

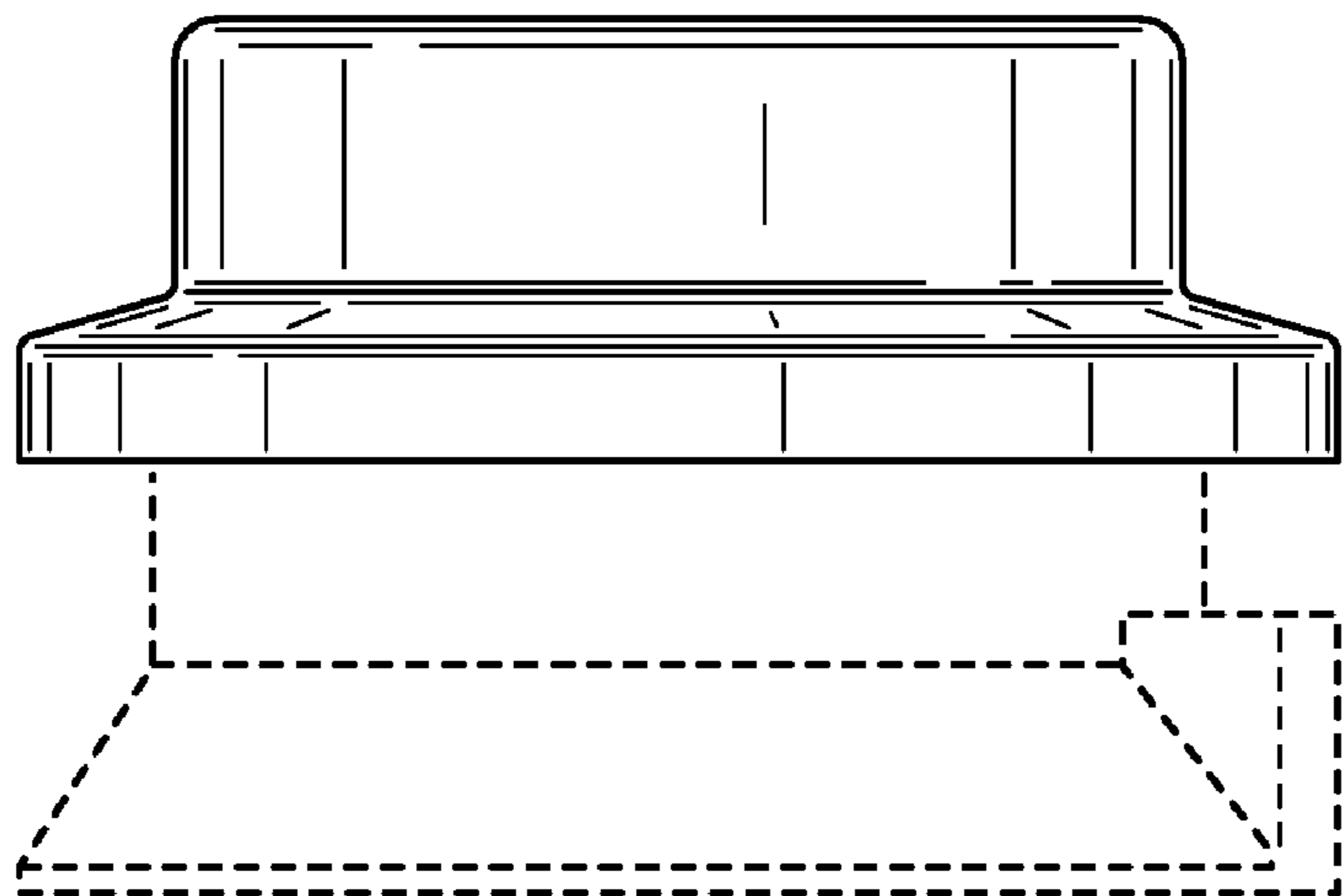


FIG. 11

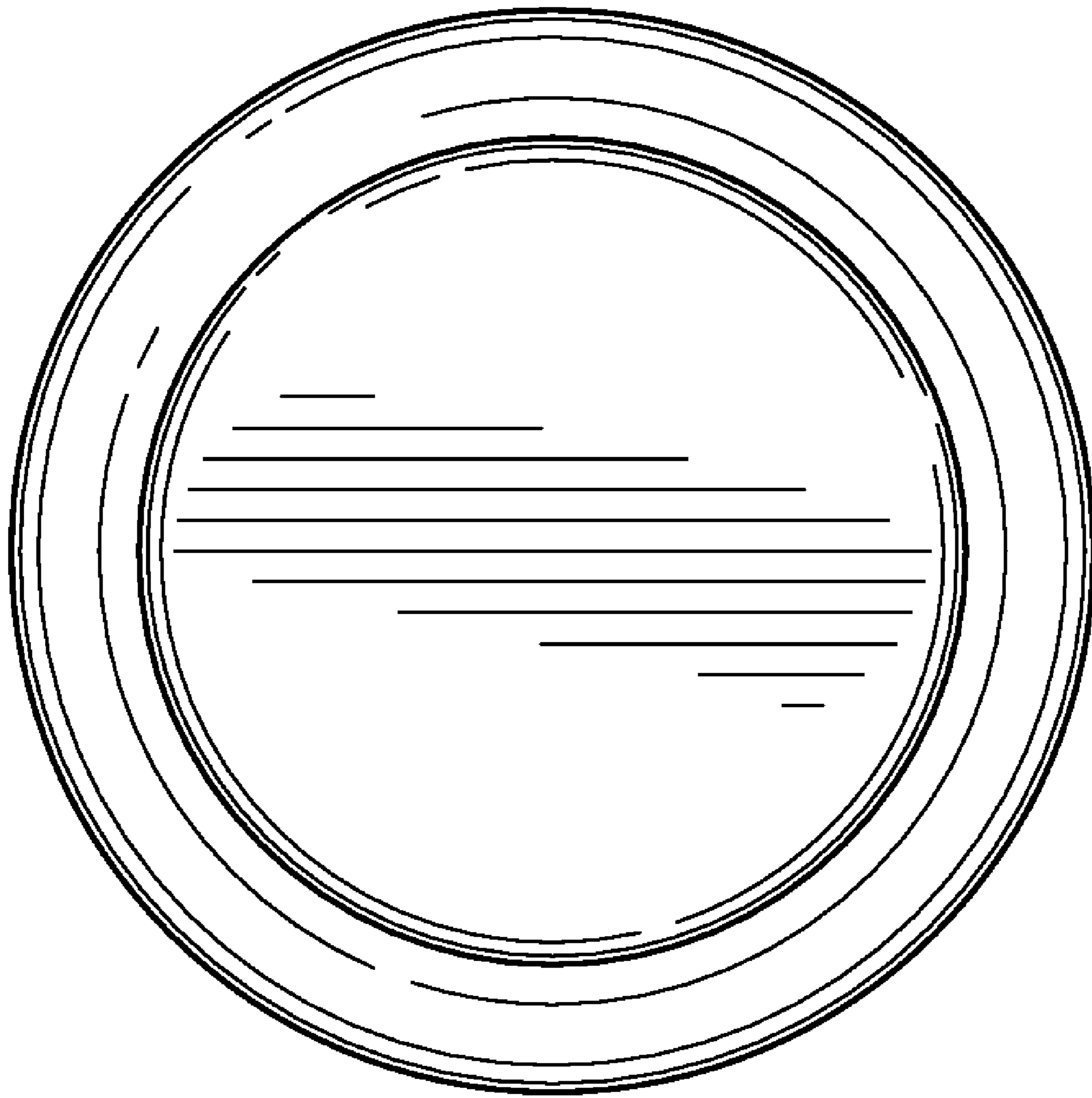


FIG. 12