

US00D565896S

(12) **United States Design Patent** (10) **Patent No.:** **US D565,896 S**  
**Pryor** (45) **Date of Patent:** **\*\* Apr. 8, 2008**

(54) **BURNER CAP**

(75) Inventor: **William Michael Pryor**, Portland, TN (US)

(73) Assignee: **Electrolux Home Products, Inc.**, Cleveland, OH (US)

(\*\*) Term: **14 Years**

(21) Appl. No.: **29/284,244**

(22) Filed: **Sep. 4, 2007**

(51) **LOC (8) Cl.** ..... **07-02**

(52) **U.S. Cl.** ..... **D7/407**

(58) **Field of Classification Search** ..... D7/339-340, D7/346, 402, 407, 213; 29/557; 126/39 E, 126/39 R, 215; 431/264, 266, 278, 349, 431/354

See application file for complete search history.

(56) **References Cited**

**U.S. PATENT DOCUMENTS**

D309,233	S	*	7/1990	Lund	.....	D7/407
D309,398	S	*	7/1990	Lund	.....	D7/407
5,397,234	A	*	3/1995	Kwiatek	.....	431/264
5,690,483	A	*	11/1997	Oda et al.	.....	431/266
D388,659	S	*	1/1998	Doyle et al.	.....	D7/407
6,070,324	A	*	6/2000	Kwiatek et al.	.....	29/557
6,135,764	A	*	10/2000	Kwiatek	.....	431/266
6,146,132	A	*	11/2000	Harneit	.....	431/354
6,244,263	B1	*	6/2001	Schlosser et al.	.....	126/39 R
6,607,378	B2	*	8/2003	Harneit et al.	.....	431/354
6,817,355	B1	*	11/2004	Hawkins et al.	.....	126/39 R
7,017,572	B2	*	3/2006	Cadima	.....	126/39 E
7,040,890	B2	*	5/2006	Todoli et al.	.....	431/266

2002/0034713	A1	*	3/2002	Harneit et al.	.....	431/266
2004/0200469	A1	*	10/2004	Atkinson et al.	.....	431/266
2005/0112520	A1	*	5/2005	Todoli et al.	.....	431/349
2005/0250065	A1	*	11/2005	Carbone et al.	.....	431/354
2006/0207588	A1	*	9/2006	Staebler et al.	.....	126/215
2007/0128563	A1	*	6/2007	Subramanian et al.	.....	431/278

**OTHER PUBLICATIONS**

Nine (9) photographs of burners manufactured by HN Engineering of Chico, California.

\* cited by examiner

*Primary Examiner*—Robert A. Delehanty

*Assistant Examiner*—Mark Cavanna

(74) *Attorney, Agent, or Firm*—Banner & Witcoff, Ltd

(57) **CLAIM**

The ornamental design for a burner cap, as shown and described.

**DESCRIPTION**

FIG. 1 is a perspective view of a burner cap showing my new design;

FIG. 2 is a front view thereof;

FIG. 3 is a rear view thereof;

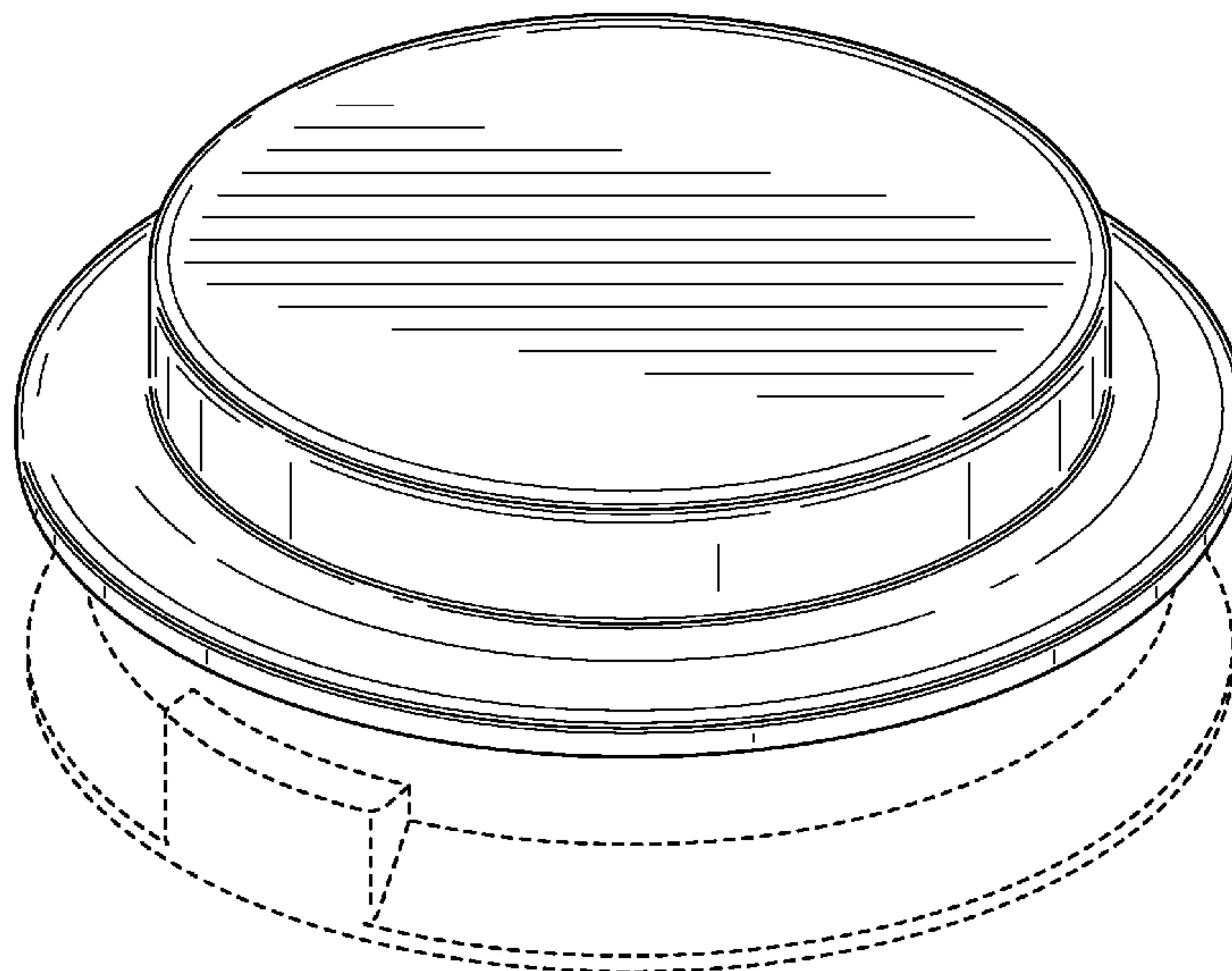
FIG. 4 is a side view thereof;

FIG. 5 is an alternate side view thereof; and,

FIG. 6 is a top view thereof.

The broken line showing of the remainder of the burner assembly is for illustrative purposes only and forms no part of the claimed design.

**1 Claim, 4 Drawing Sheets**



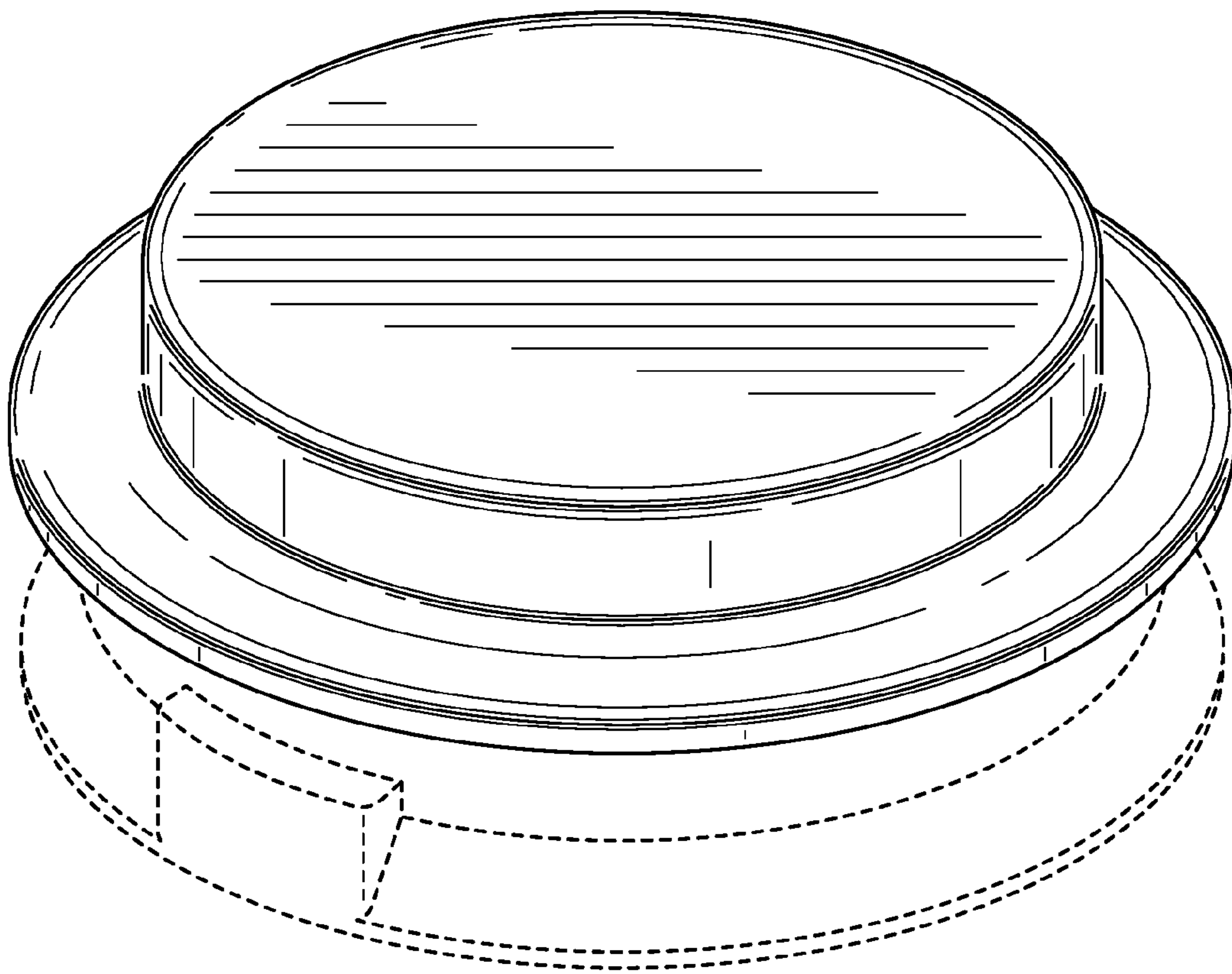


FIG. 1

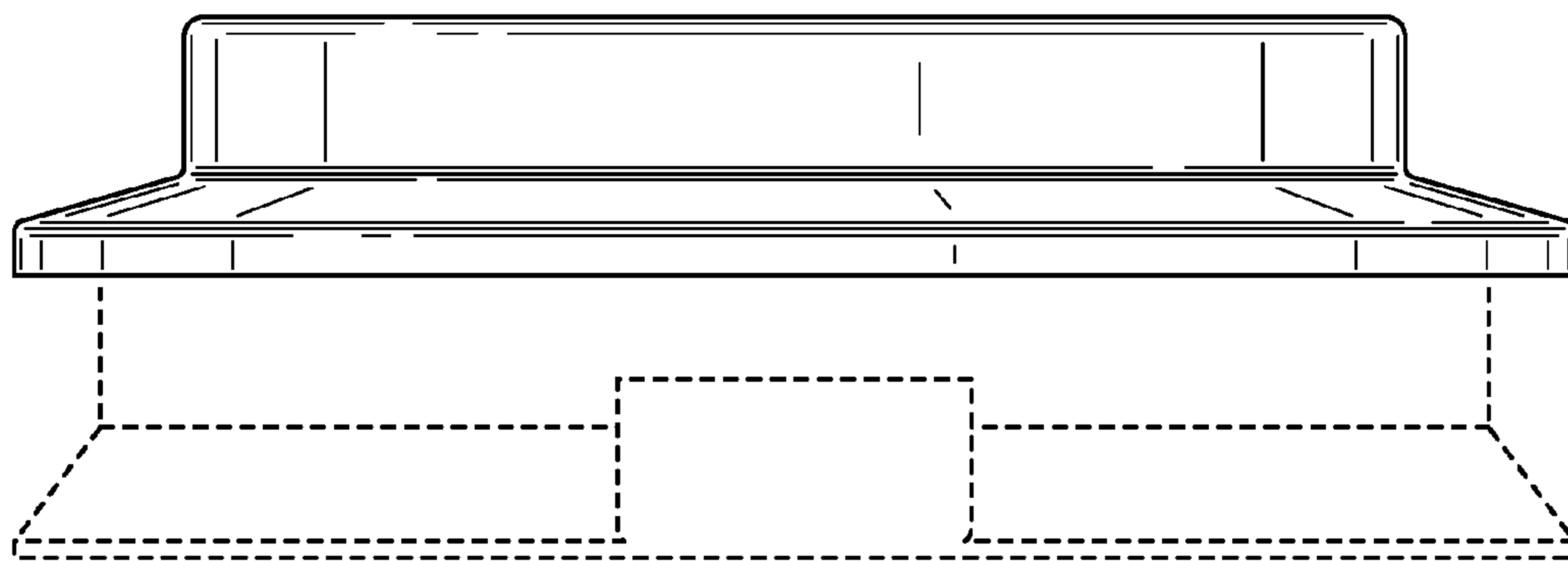


FIG. 2

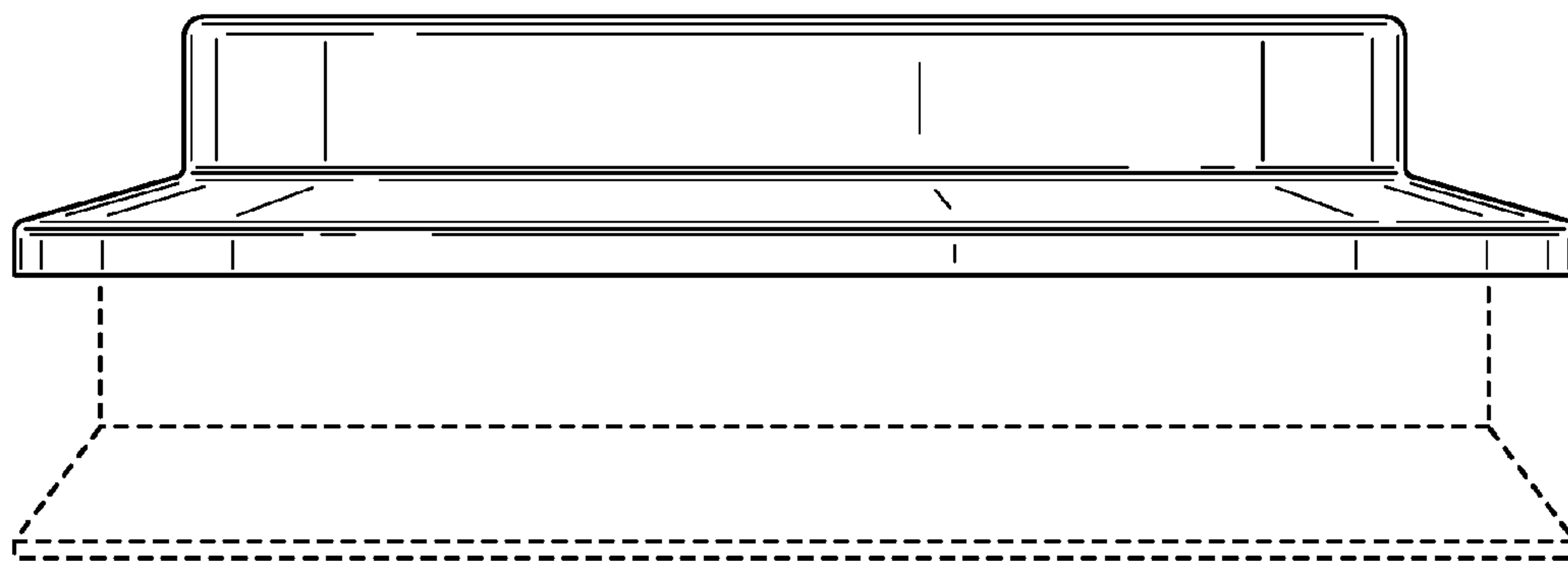


FIG. 3

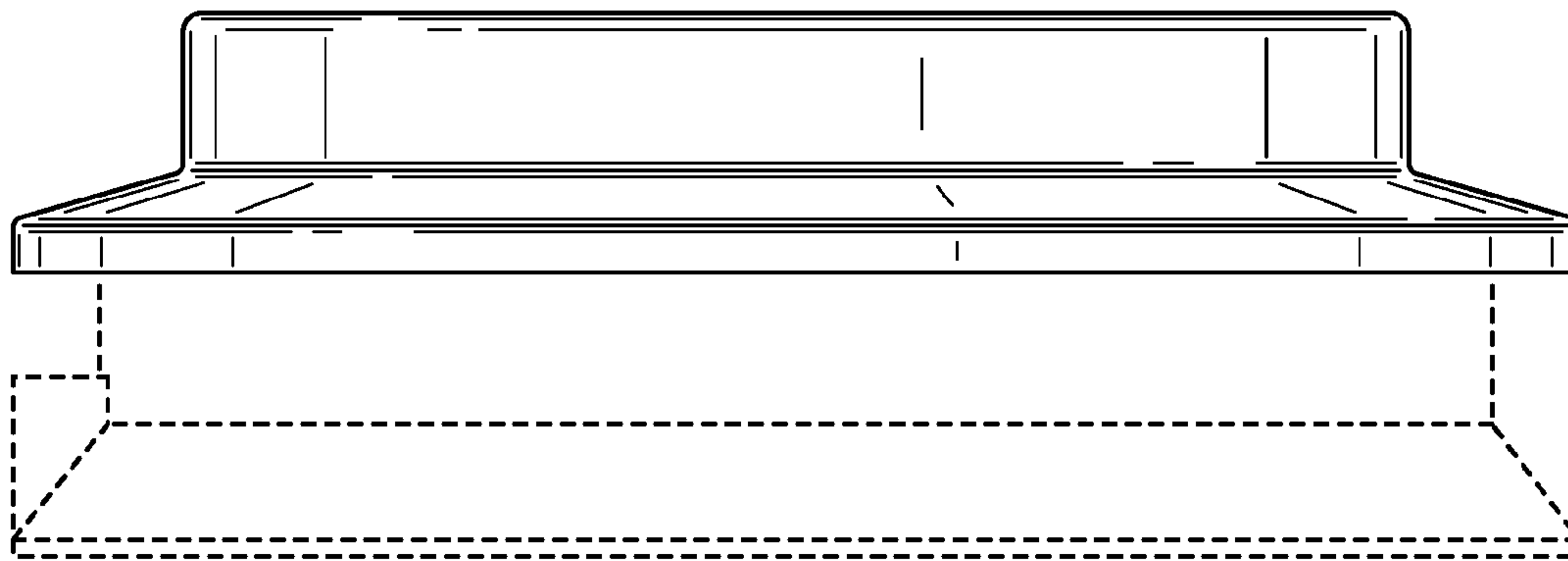


FIG. 4

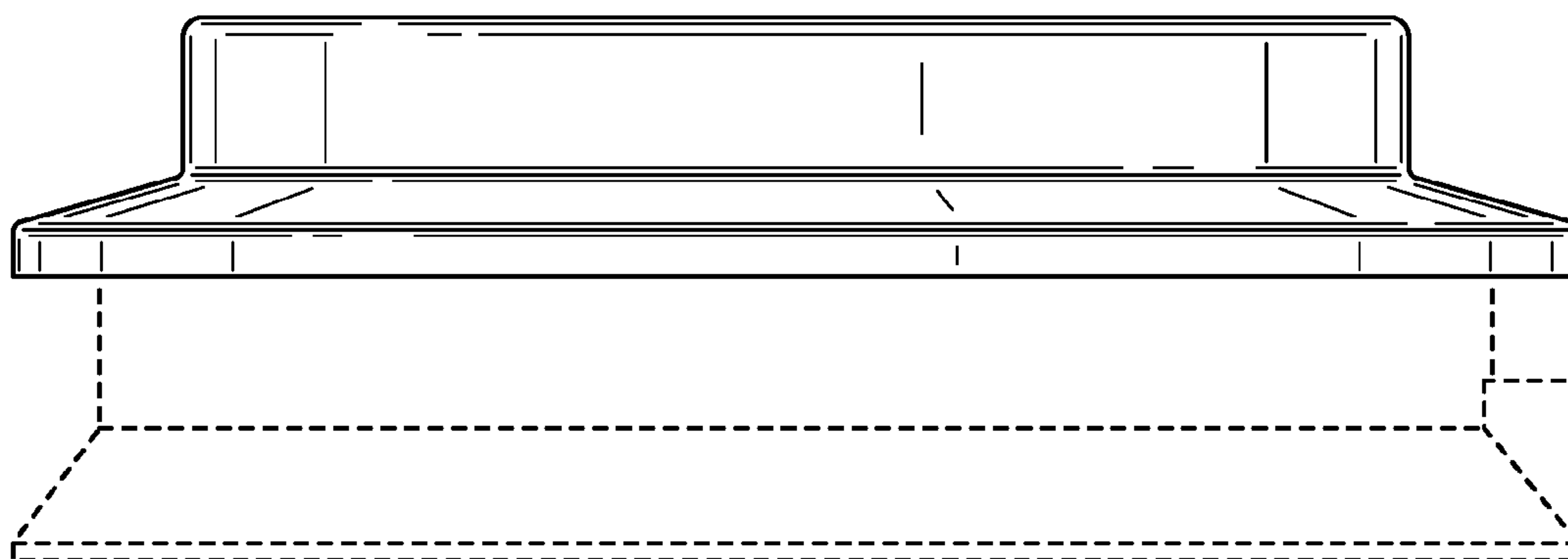


FIG. 5

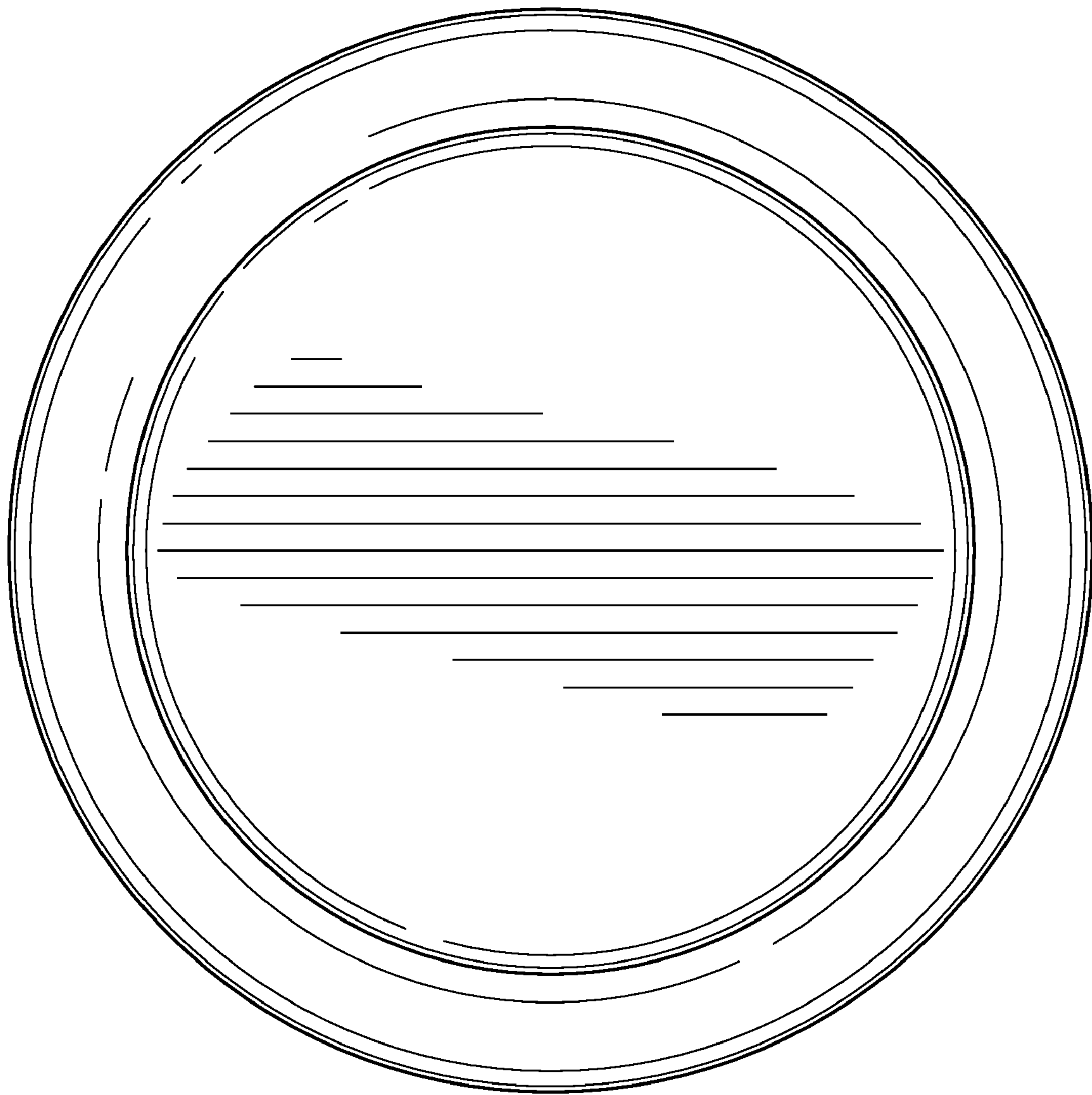


FIG. 6