



US00D565892S

(12) **United States Design Patent**  
**McConnell et al.**

(10) **Patent No.:** **US D565,892 S**

(45) **Date of Patent:** **\*\* Apr. 8, 2008**

(54) **APPLIANCE HANDLE**

(75) Inventors: **John W. McConnell**, Chicago, IL (US);  
**Daniel H. Quinlan**, Stevensville, MI (US)

(73) Assignee: **Whirlpool Corporation**, Benton Harbor, MI (US)

(\*\*) Term: **14 Years**

(21) Appl. No.: **29/282,441**

(22) Filed: **Jul. 20, 2007**

(51) **LOC (8) Cl.** ..... **07-02**

(52) **U.S. Cl.** ..... **D7/402**

(58) **Field of Classification Search** ..... D7/402-406,  
D7/339-341, 346-351; D8/300-301, 306,  
D8/315-320, 338, 352-353, DIG. 1; 16/110 R,  
16/111 R, 412-415, 436, DIG. 18, DIG. 19;  
126/39 R, 39 B, 19 R, 273 A

See application file for complete search history.

(56) **References Cited**

U.S. PATENT DOCUMENTS

D218,619 S *	9/1970	Young	.....	D8/316
D266,122 S *	9/1982	Haug	.....	D8/316
D361,255 S *	8/1995	Crinion	.....	D8/301
D370,617 S *	6/1996	Decursu et al.	.....	D8/316
D400,424 S *	11/1998	Lewis et al.	.....	D8/316
D424,873 S *	5/2000	Holbrook	.....	D7/402
D449,215 S *	10/2001	Bertani	.....	D8/316
D471,403 S *	3/2003	Jones et al.	.....	D7/405

D511,955 S *	11/2005	Baldwin et al.	.....	D8/301
D516,406 S *	3/2006	Brammer et al.	.....	D8/300
D542,090 S *	5/2007	Kim	.....	D7/402
D546,623 S *	7/2007	Kim	.....	D7/402

\* cited by examiner

*Primary Examiner*—Robert A. Delehanty

*Assistant Examiner*—Mark Cavanna

(74) *Attorney, Agent, or Firm*—Tara M. Hartman

(57) **CLAIM**

The ornamental design for an appliance handle, as shown and described.

**DESCRIPTION**

FIG. 1 is a perspective view of the design of the appliance handle;

FIG. 2 is a top plan view thereof;

FIG. 3 is an elevational view thereof;

FIG. 4 is a right side elevational view with the left side being a mirror image thereof;

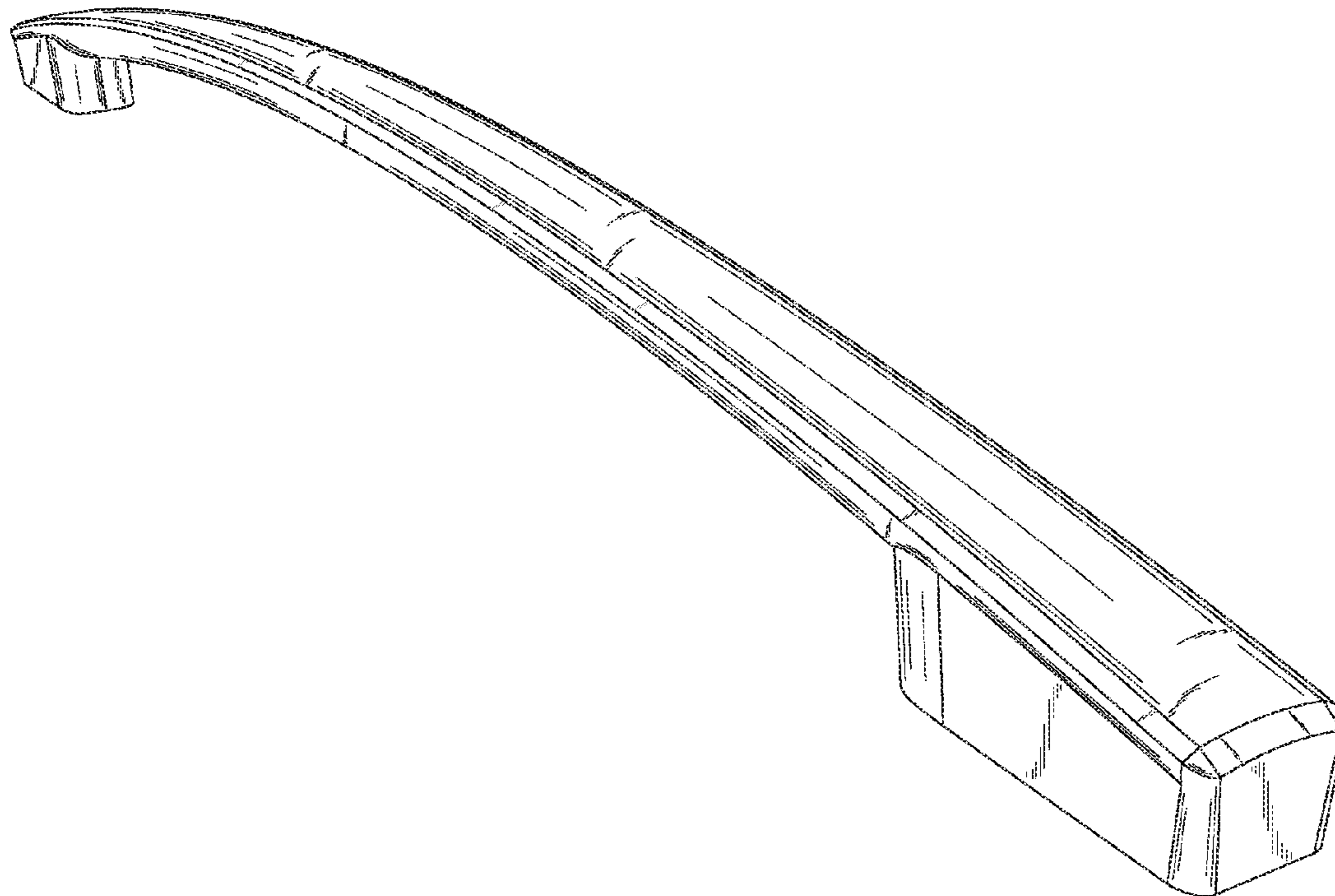
FIG. 5 is a front perspective view of the design of the appliance handle shown in an embodiment, thereof;

FIG. 6 is a front perspective view of the design of the appliance handle shown in an embodiment, thereof; and,

FIG. 7 is a front perspective view of the design of the appliance handle shown in an embodiment, thereof.

The broken lines shown are for illustrative purposes only and form no part of the design claimed.

**1 Claim, 5 Drawing Sheets**



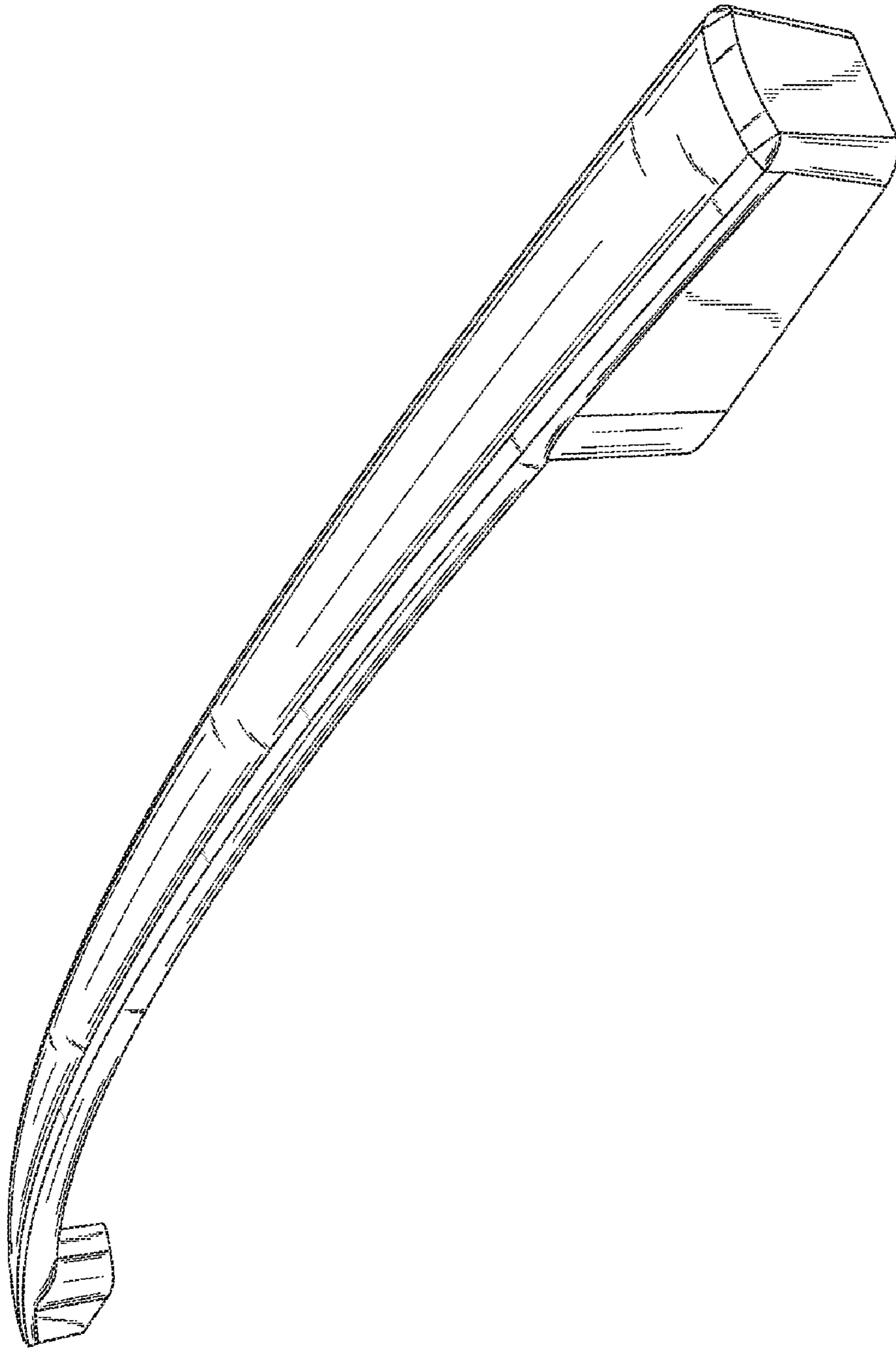


Fig. 1

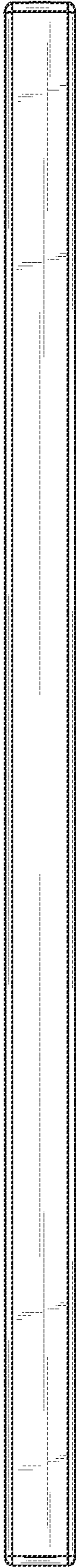


Fig. 2

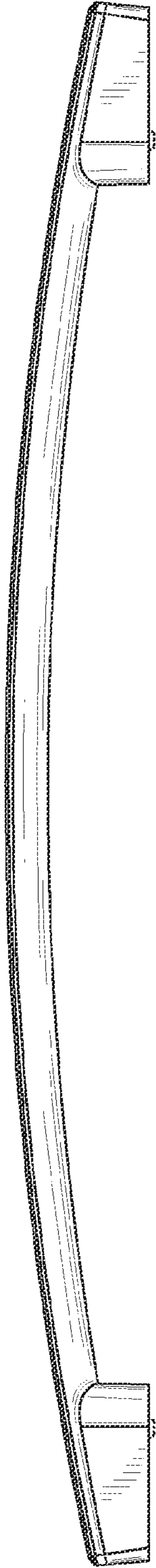


Fig. 3

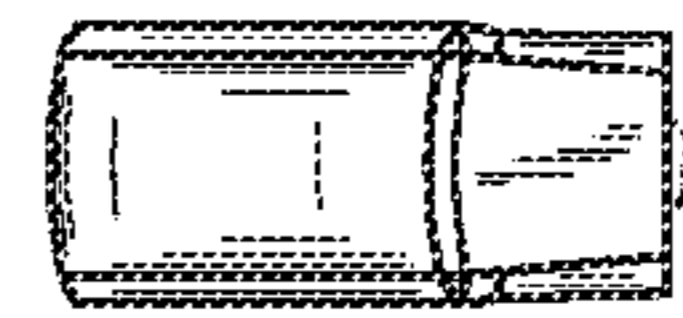


Fig. 4

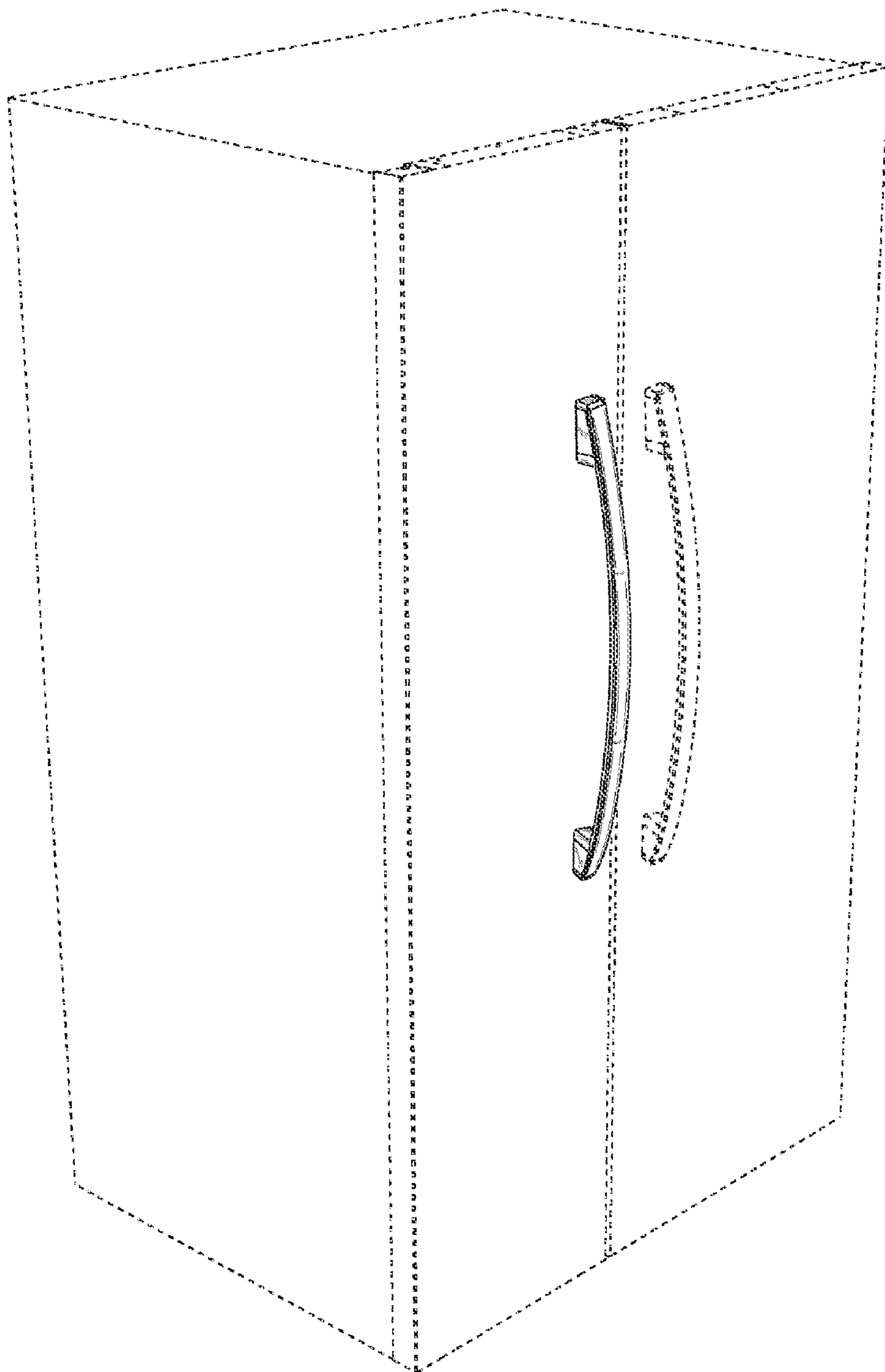


Fig. 5

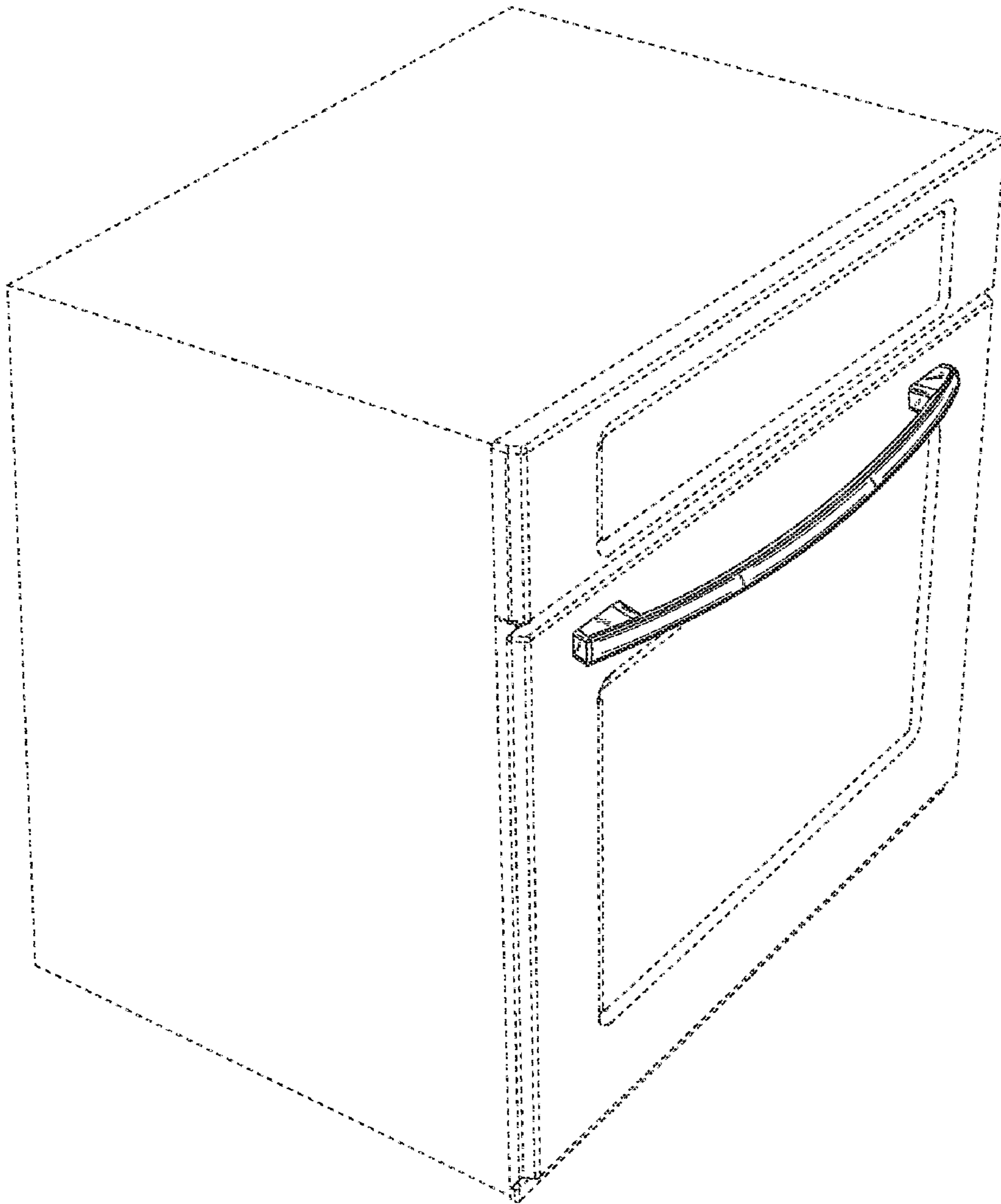


Fig. 6

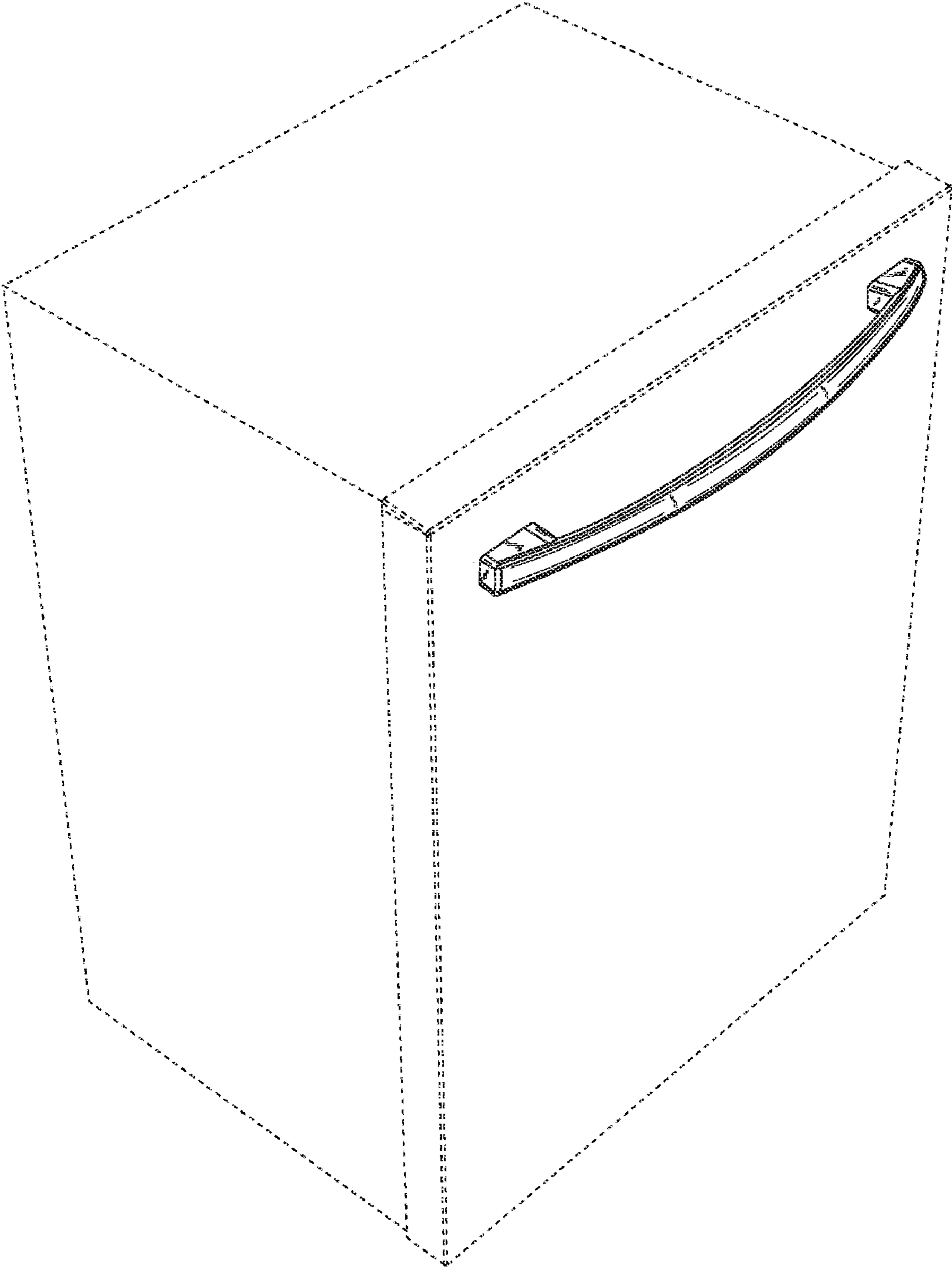


Fig. 7