

US00D565891S

(12) **United States Design Patent**
Portuesi et al.

(10) **Patent No.:** **US D565,891 S**

(45) **Date of Patent:** **** Apr. 8, 2008**

(54) **HANDLE FOR KITCHEN UTENSILS**

D467,137 S * 12/2002 Gross D7/691

(75) Inventors: **Joseph Portuesi**, Brooklyn, NY (US);
Gary Portuesi, New York, NY (US)

* cited by examiner

Primary Examiner—Caron D. Veynar

Assistant Examiner—Ricky Pham

(73) Assignee: **Authentic Sicily LLC**, New York, NY (US)

(74) *Attorney, Agent, or Firm*—Gottlieb, Rackman & Reisman, P.C.

(**) Term: **14 Years**

(57) **CLAIM**

(21) Appl. No.: **29/229,420**

The ornamental design for a handle for kitchen utensils, as shown and described.

(22) Filed: **May 6, 2005**

DESCRIPTION

(51) **LOC (8) Cl.** **07-02**

(52) **U.S. Cl.** **D7/401.2**

(58) **Field of Classification Search** D4/138;
D7/393, 395, 401.2, 642–646, 649–653, 662–664,
D7/688, 691–696; D8/10, 36, 75, 80, 83,
D8/87, 98, 99, 102, 107, 300, 303; D18/34.9;
D22/118; 30/123.5–123.7, 124–125, 128,
30/142–143, 147–149, 169, 304, 316, 322,
30/340, 342–346, 353, 355, 394; 401/22

FIG. 1 is a front elevational view of the handle for kitchen utensils showing our new design;

FIG. 2 is a right side elevational view thereof, the left side elevational view being a mirror image thereof;

FIG. 3 is a top plan view thereof;

FIG. 4 is a rear elevational view thereof;

FIG. 5 is a bottom plan view thereof;

See application file for complete search history.

FIG. 6 is a front elevational view of a second embodiment of my new design;

FIG. 7 is a right side elevational view thereof, the left side elevational view being a mirror image thereof;

FIG. 8 is top plan view thereof;

FIG. 9 is a rear elevational view thereof; and,

FIG. 10 is a bottom plan view thereof.

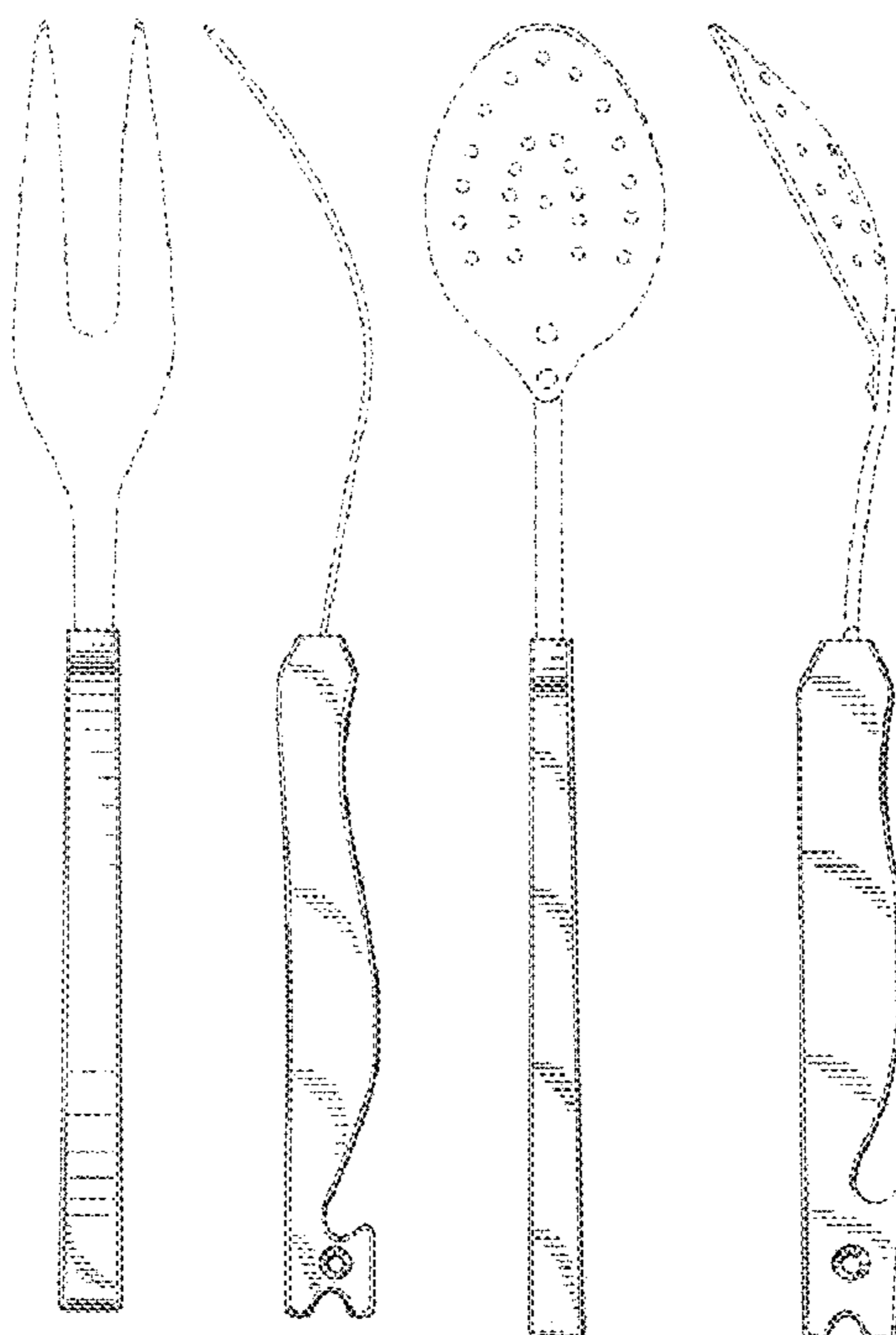
The broken lines shown in the drawings are for illustrative purposes only and form no part of the claimed design.

(56) **References Cited**

U.S. PATENT DOCUMENTS

D152,539 S *	2/1949	Henkel	D7/395
3,199,139 A *	8/1965	Vallis	401/22
3,906,632 A *	9/1975	Oppenheimer	30/322
D292,663 S *	11/1987	Johnson	D7/691
D307,095 S *	4/1990	Juergens	D7/653
D308,804 S *	6/1990	Hiscott et al.	D7/691
D320,889 S *	10/1991	Berti	D4/138
D362,591 S *	9/1995	Rosner	D7/401.2
D383,035 S *	9/1997	Belmont	D7/395

1 Claim, 4 Drawing Sheets



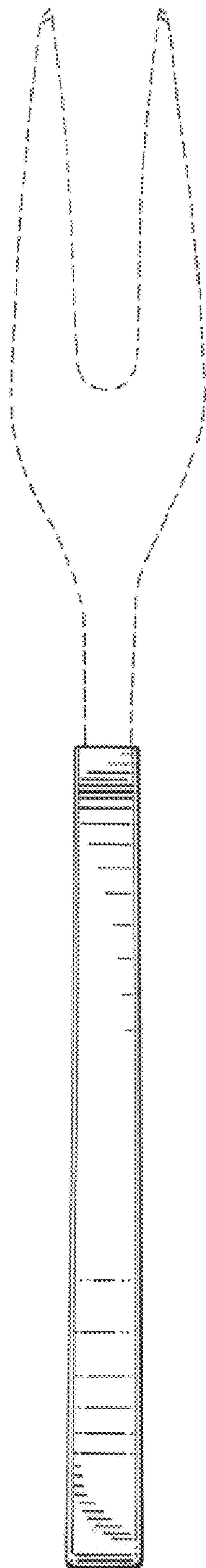


FIG. 1

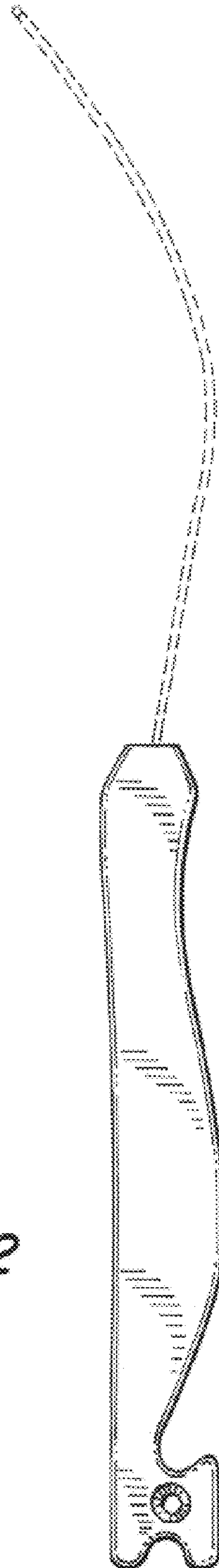


FIG. 2

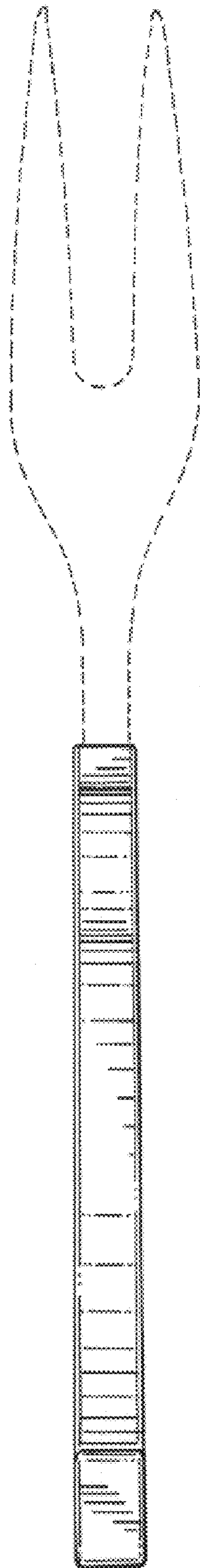


FIG. 4

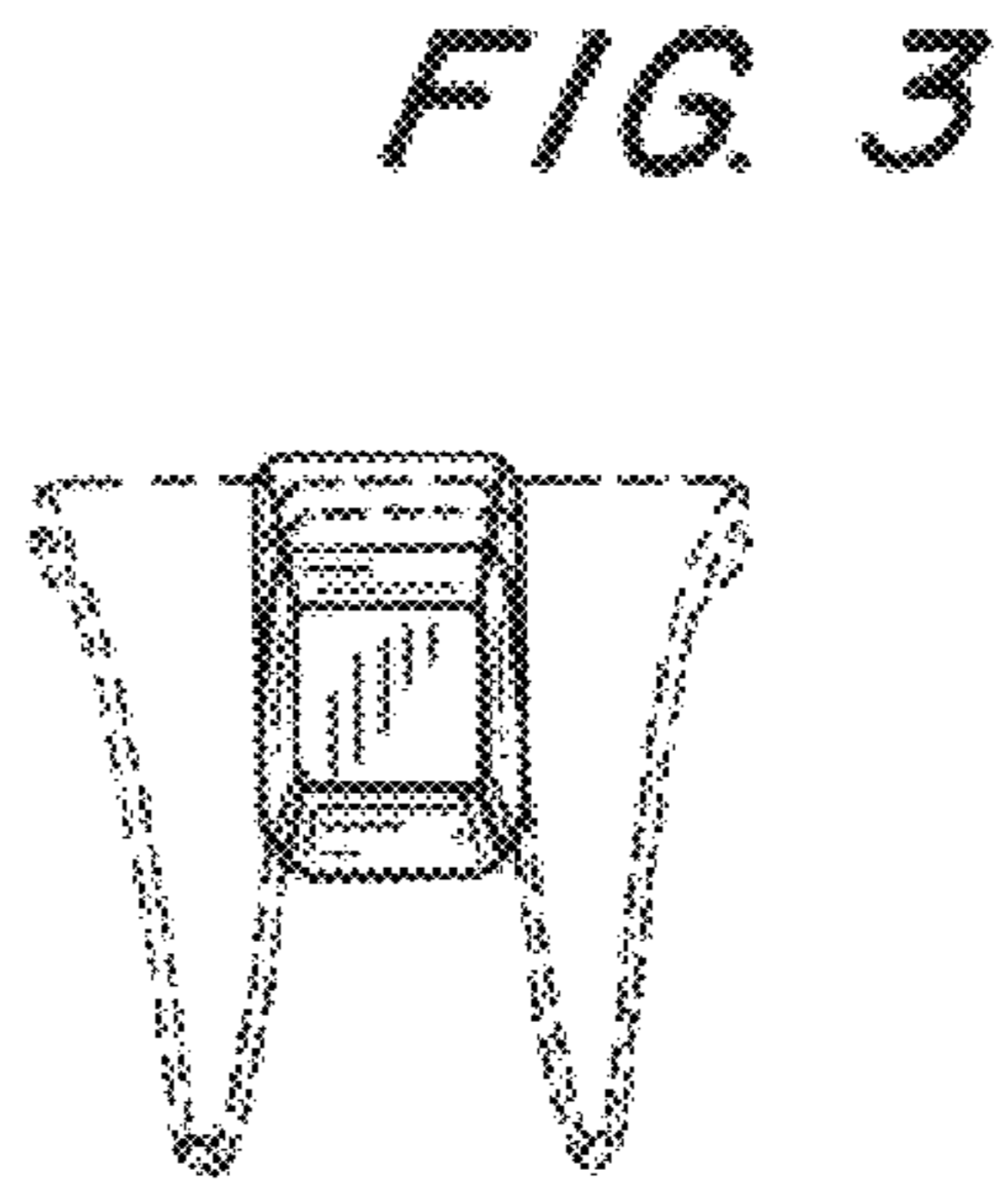


FIG. 3

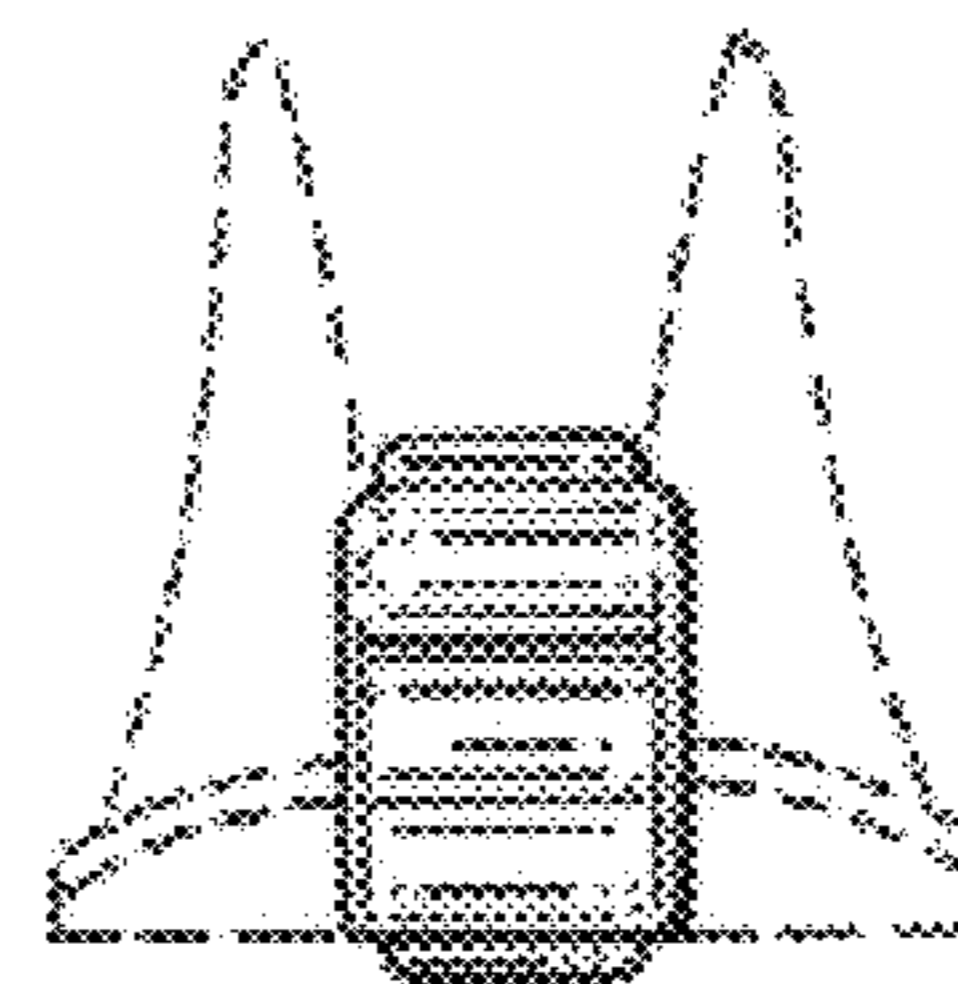
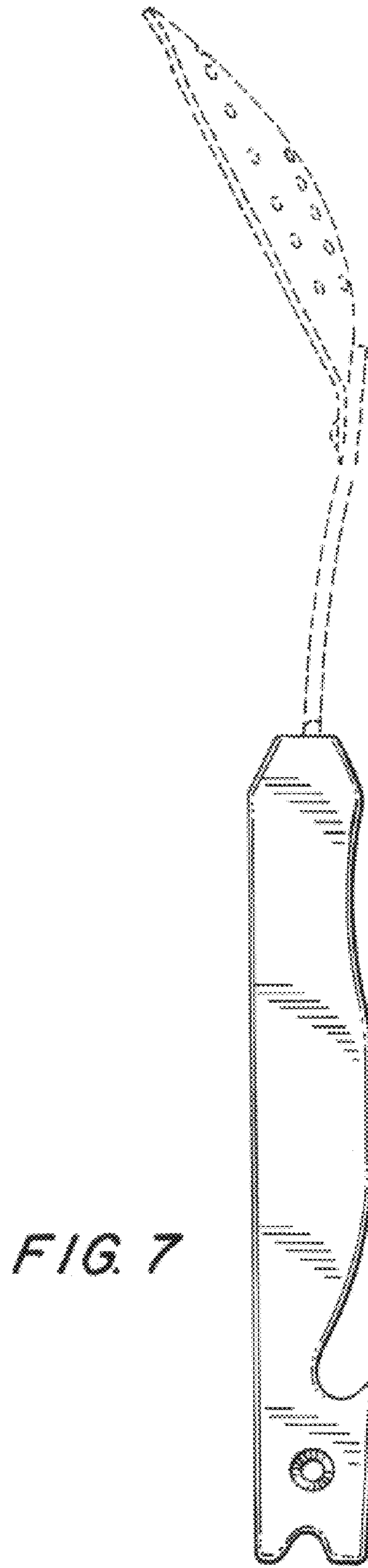
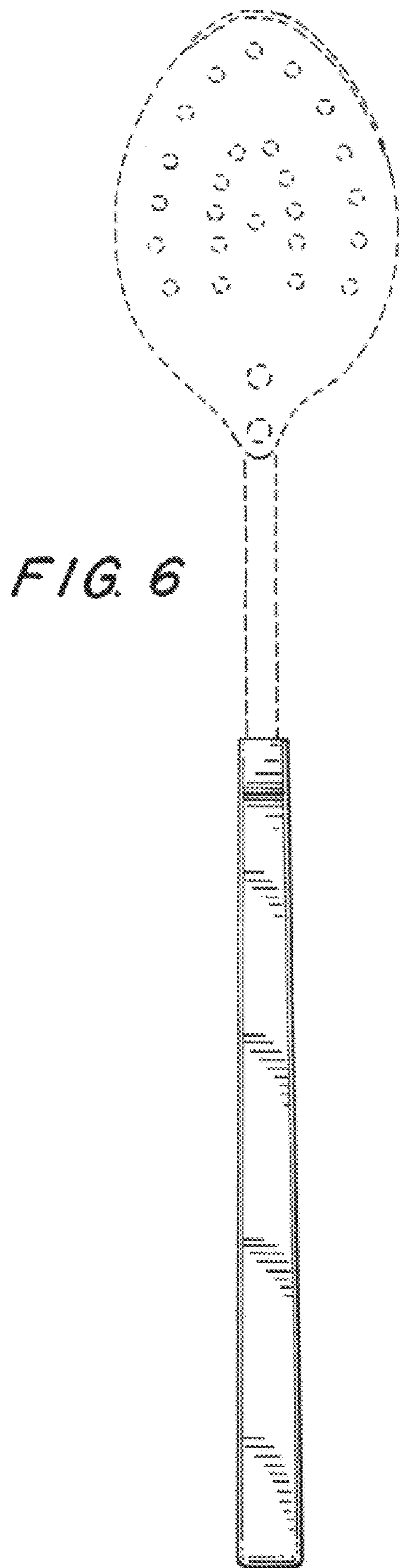


FIG. 5



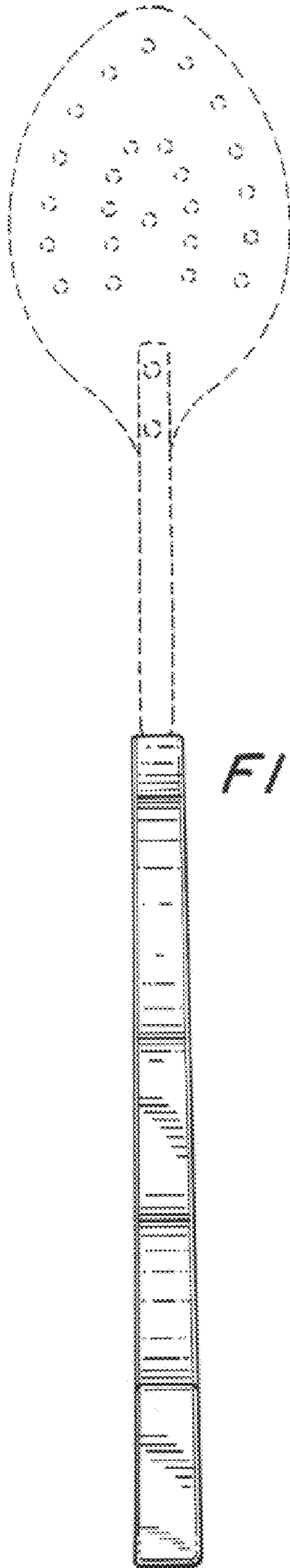


FIG. 9

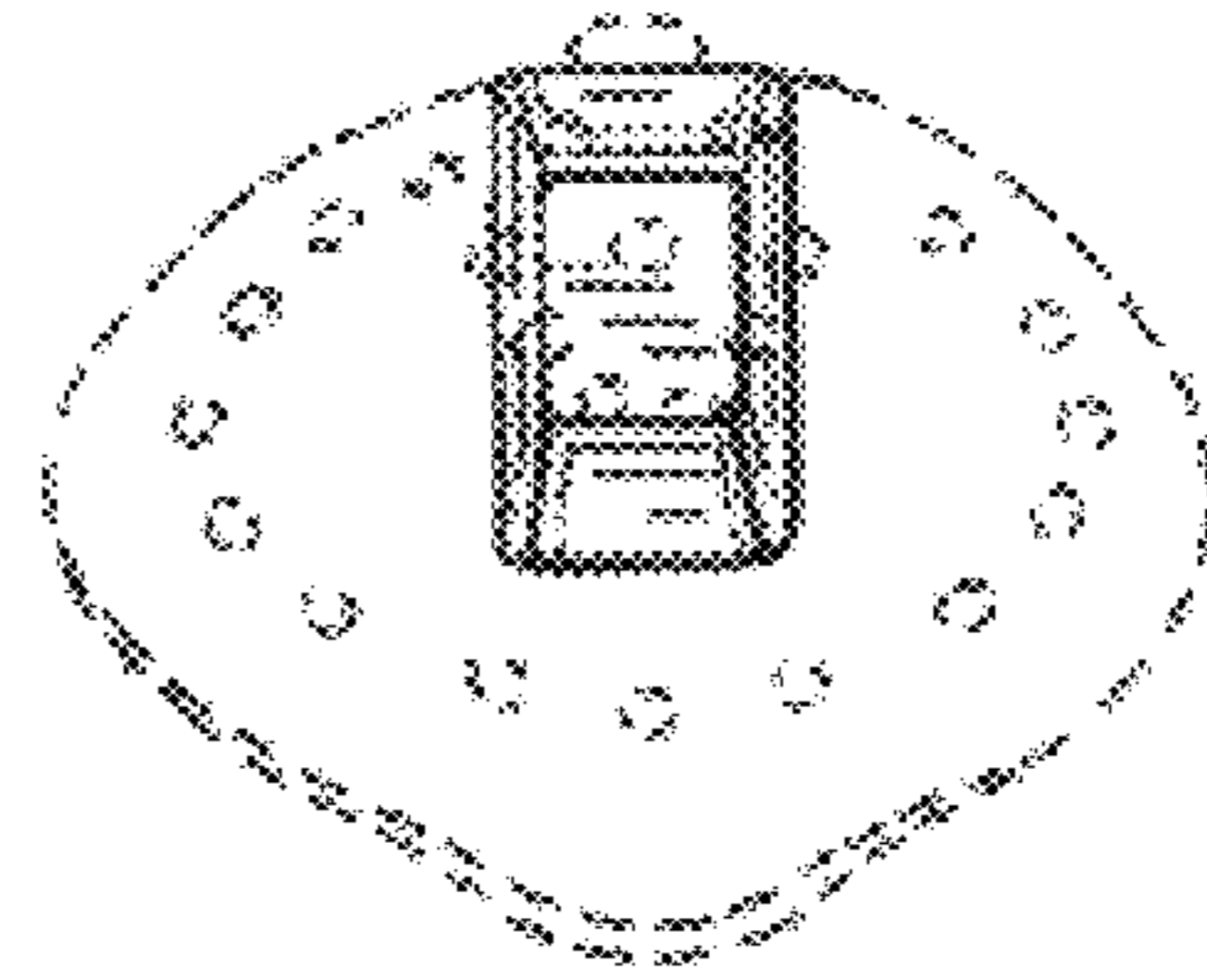


FIG. 8

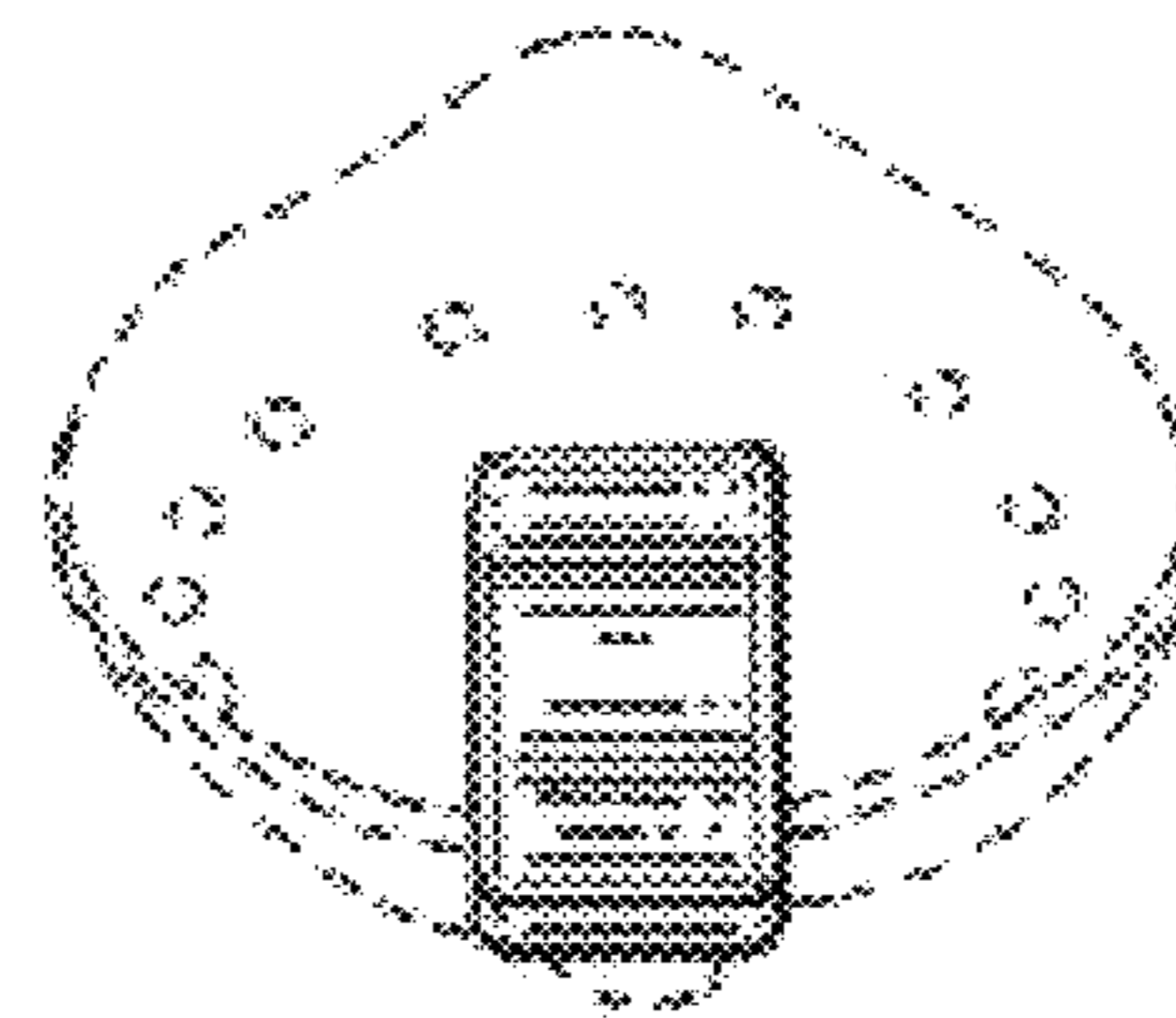


FIG. 10