



US00D565889S

(12) **United States Design Patent**
Laib et al.

(10) **Patent No.:** **US D565,889 S**

(45) **Date of Patent:** **** Apr. 8, 2008**

(54) **COVER FOR A CONTAINER**

(75) Inventors: **Douglas M. Laib**, Orlando, FL (US);
John-Michael R. Ekeblad, Orlando, FL (US)

(73) Assignee: **Dart Industries Inc.**, Orlando, FL (US)

(**) Term: **14 Years**

(21) Appl. No.: **29/291,650**

(22) Filed: **Sep. 7, 2007**

Related U.S. Application Data

(62) Division of application No. 29/204,506, filed on Apr. 29, 2004, now Pat. No. Des. 552,413.

(51) **LOC (8) Cl.** **07-02**

(52) **U.S. Cl.** **D7/392.1**

(58) **Field of Classification Search** D7/317-319,
D7/391-392.1, 396.2, 510-511, 629; D9/435,
D9/440, 444, 447, 449-450, 454, 503-504;
215/211, 200, 224, 243; 220/700, 701, 703,
220/711, 713-715, 719

See application file for complete search history.

(56) **References Cited**

U.S. PATENT DOCUMENTS

5,363,978 A * 11/1994 Molo 220/254.3
5,762,228 A * 6/1998 Morgan et al. 220/367.1

* cited by examiner

Primary Examiner—Holly H. Baynham

Assistant Examiner—Cynthia M. Chin

(74) *Attorney, Agent, or Firm*—John A. Doninger

(57) **CLAIM**

The ornamental design for a cover for a container, as shown and described.

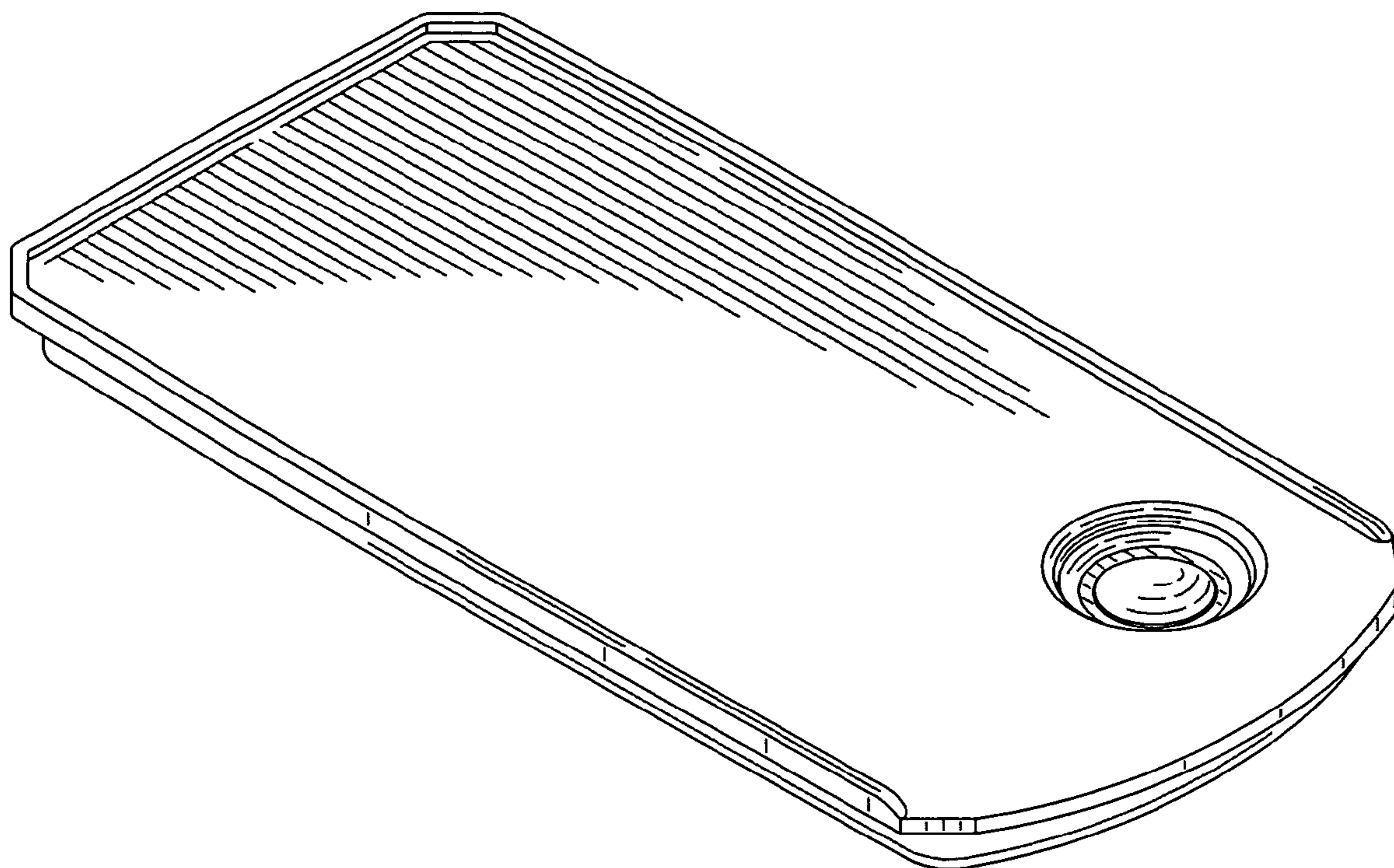
DESCRIPTION

FIG. 1 is a top, side and front perspective view of a cover for a container showing our new design;

FIG. 2 is a top plan view thereof; and,

FIG. 3 is a bottom plan view thereof.

1 Claim, 2 Drawing Sheets



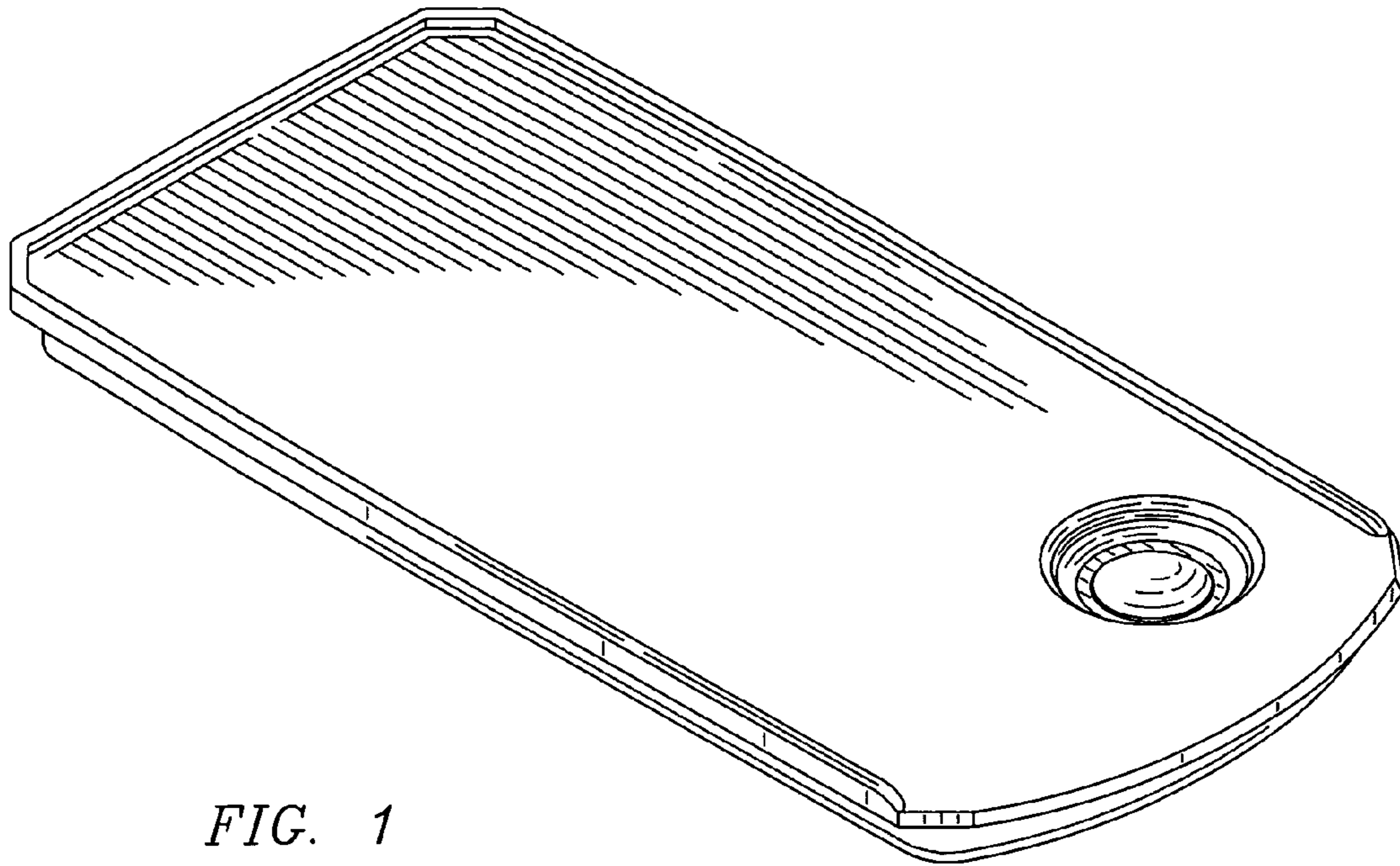


FIG. 1

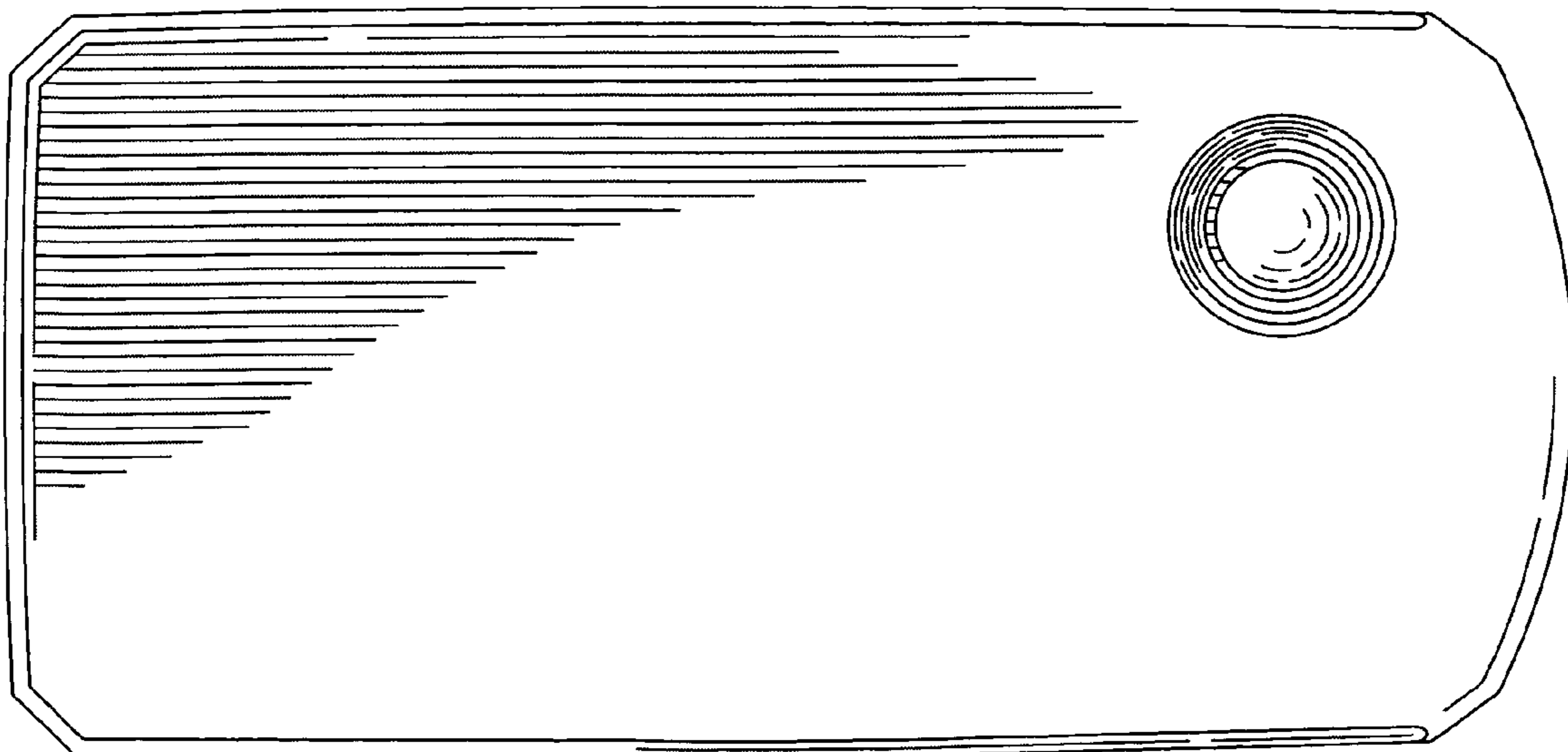


FIG. 2

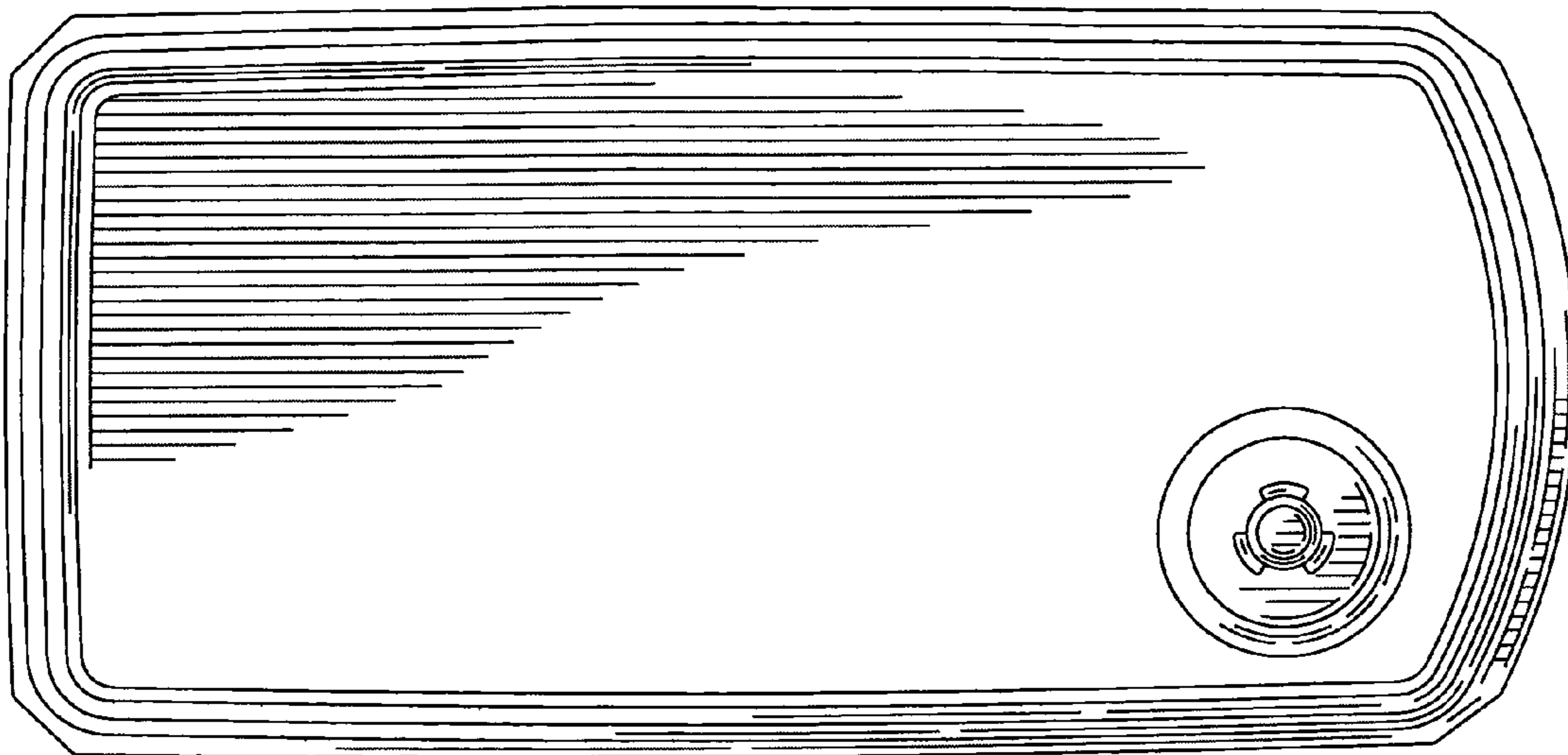


FIG. 3