

US00D565887S

(12) **United States Design Patent**
Bodum

(10) **Patent No.:** **US D565,887 S**

(45) **Date of Patent:** **** Apr. 8, 2008**

(54) **COFFEE PRESS**

(75) Inventor: **Jorgen Bodum**, St. Niklausen (CH)

(73) Assignee: **Pi-Design AG**, Triengen (CH)

(**) Term: **14 Years**

(21) Appl. No.: **29/263,461**

(22) Filed: **Jul. 24, 2006**

(30) **Foreign Application Priority Data**

Jan. 24, 2006 (DK) DA 2006 00027

(51) **LOC (8) Cl.** **07-01**

(52) **U.S. Cl.** **D7/319; D7/317**

(58) **Field of Classification Search** D7/300,
D7/316–319, 312, 533, 536; 99/297, 319;
222/146.1

See application file for complete search history.

(56) **References Cited**

U.S. PATENT DOCUMENTS

D343,333 S *	1/1994	Jorgensen	D7/317
D372,627 S *	8/1996	Ireland	D7/319
D377,132 S *	1/1997	Jorgensen	D7/318
D378,261 S *	3/1997	Jorgensen	D7/319
D384,539 S *	10/1997	Joergensen	D7/318
D386,040 S *	11/1997	Joergensen	D7/317
D405,642 S *	2/1999	Toriba	D7/319
D448,602 S *	10/2001	Bodum	D7/319

D449,760 S *	10/2001	Yeh	D7/319
D458,074 S *	6/2002	Bodum	D7/319
D458,505 S *	6/2002	Bodum	D7/319
D475,568 S *	6/2003	Bodum	D7/319
D493,662 S *	8/2004	Bodum	D7/319

* cited by examiner

Primary Examiner—Pandozzi Marianne

(74) *Attorney, Agent, or Firm*—Cowan, Liebowitz & Latman, PC

(57) **CLAIM**

The ornamental design for a coffee press, as shown and described.

DESCRIPTION

FIG. 1 is a perspective view of a coffee press showing my new design;

FIG. 2 is a front view thereof;

FIG. 3 is a back view thereof;

FIG. 4 is a right side view thereof;

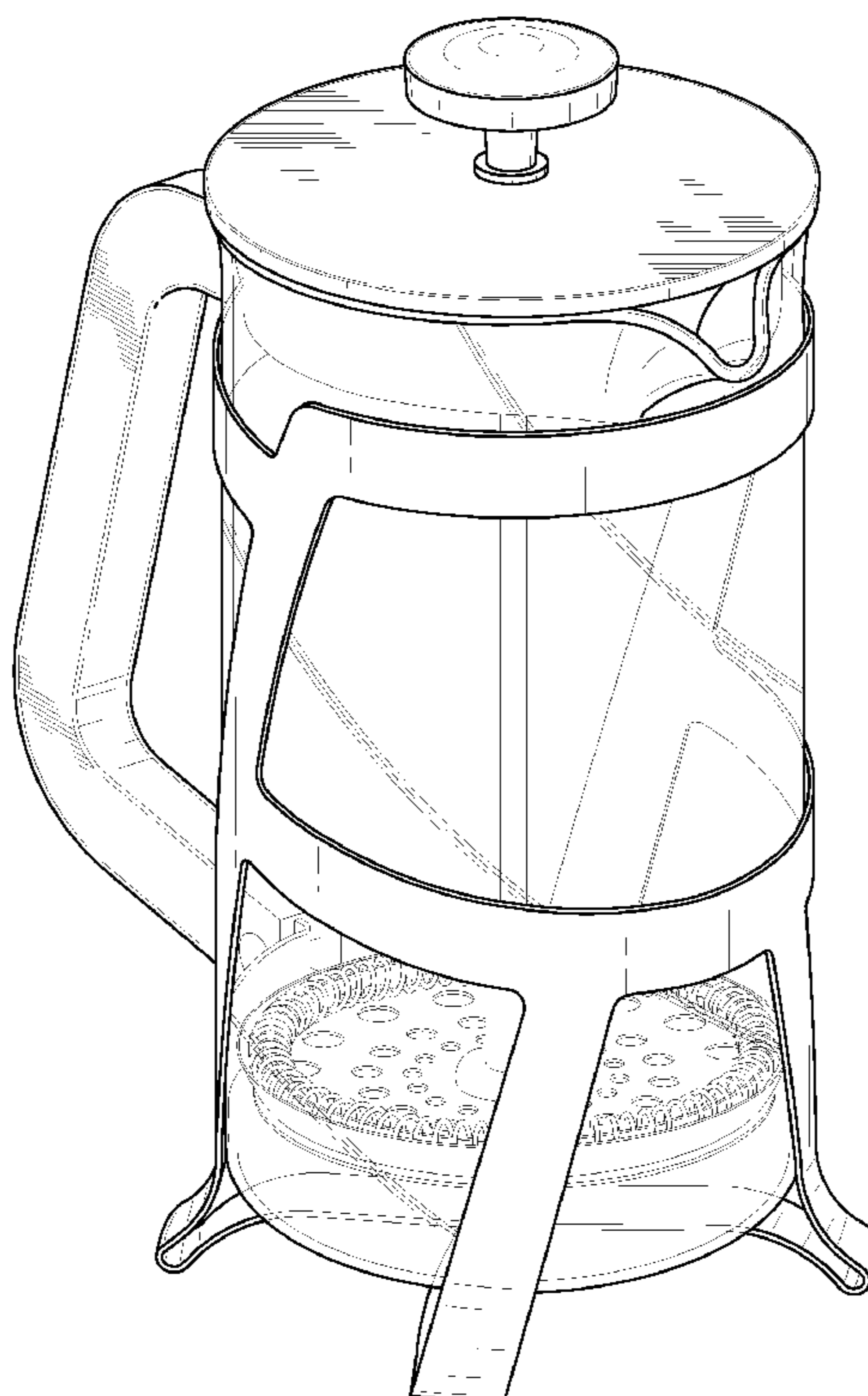
FIG. 5 is a left side view thereof;

FIG. 6 is a top view thereof;

FIG. 7 is a bottom view thereof; and,

FIG. 8 is a sectional view thereof taken along line 8—8 of FIG. 6.

1 Claim, 8 Drawing Sheets



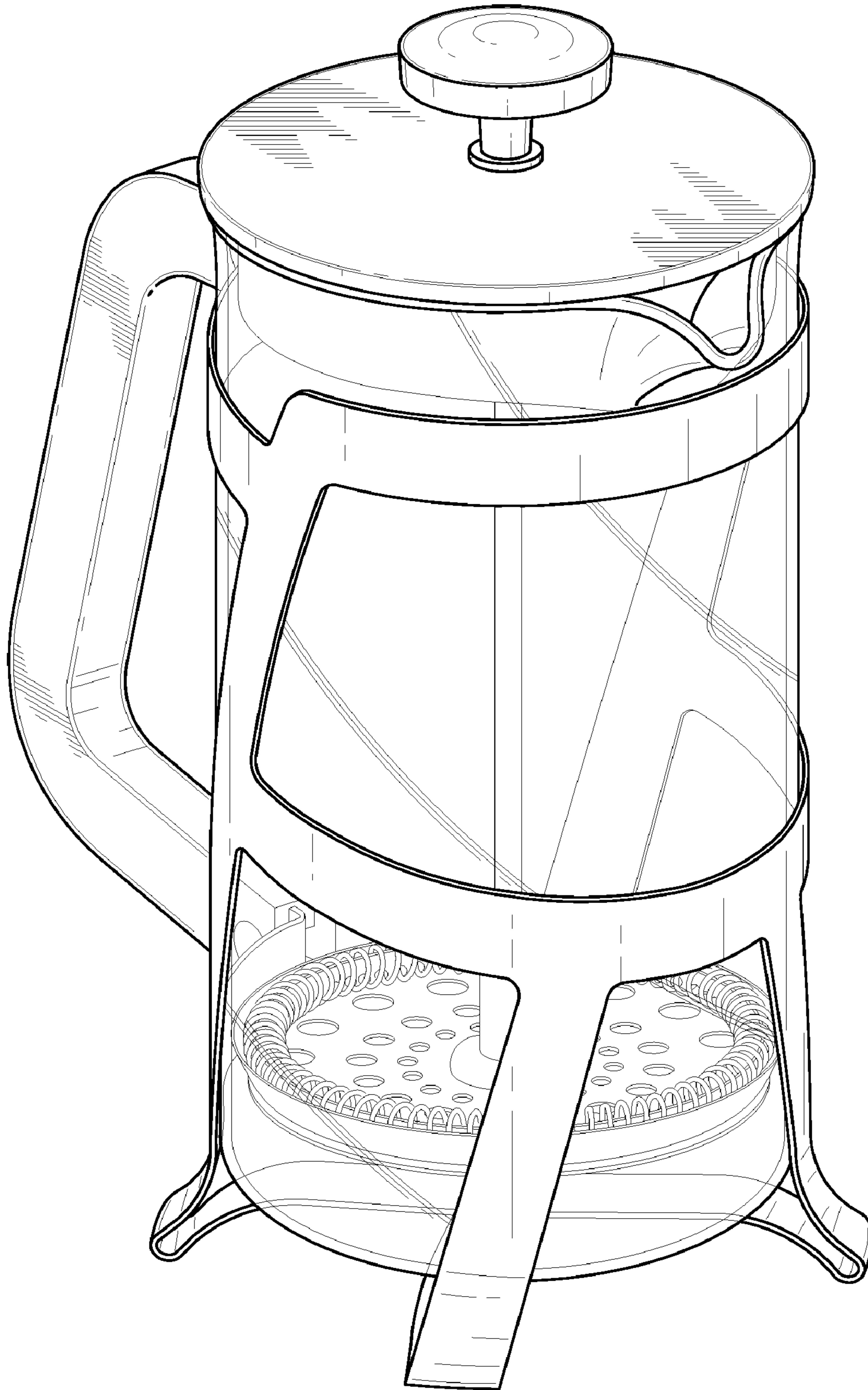


FIG. 1

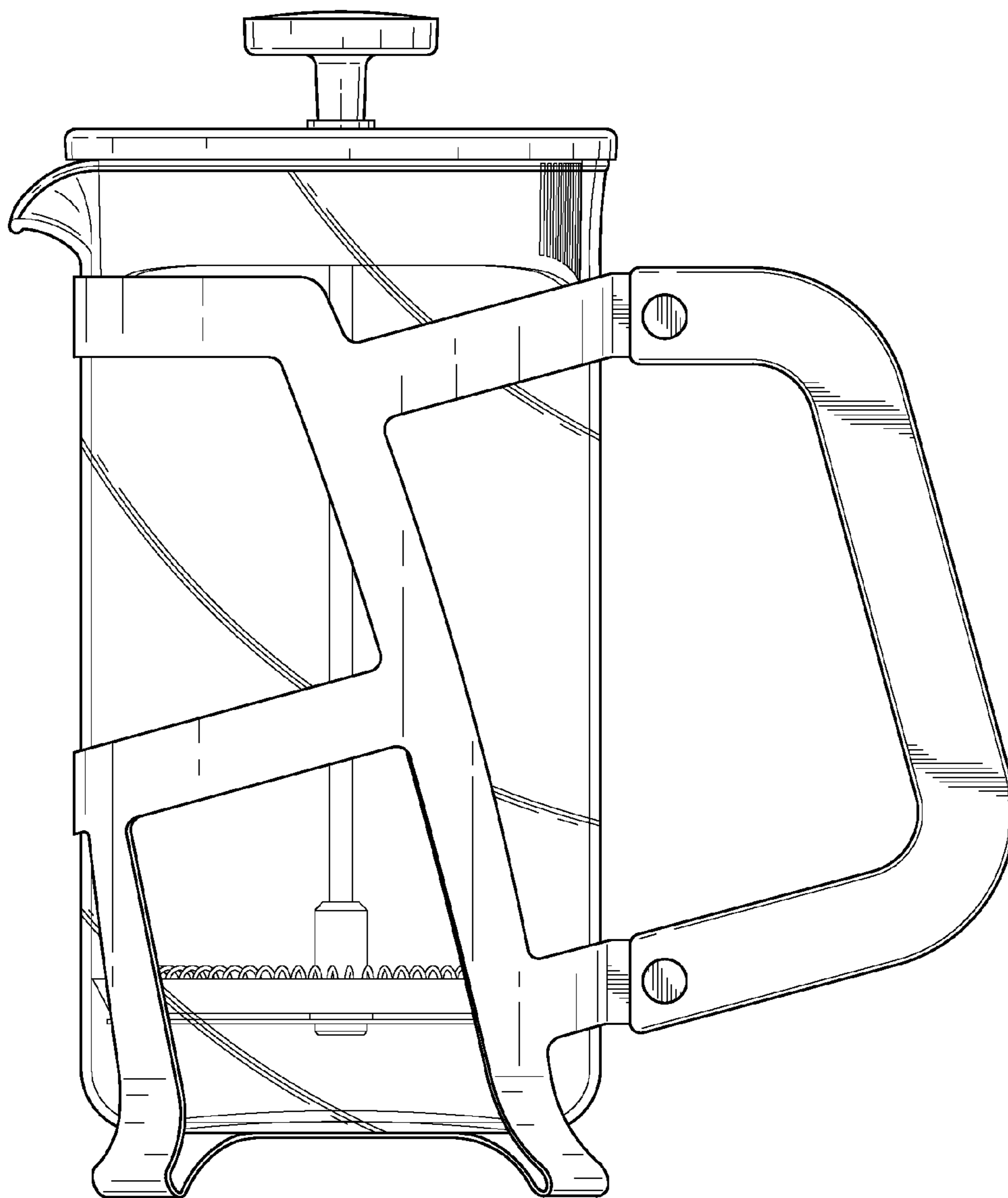


FIG. 2

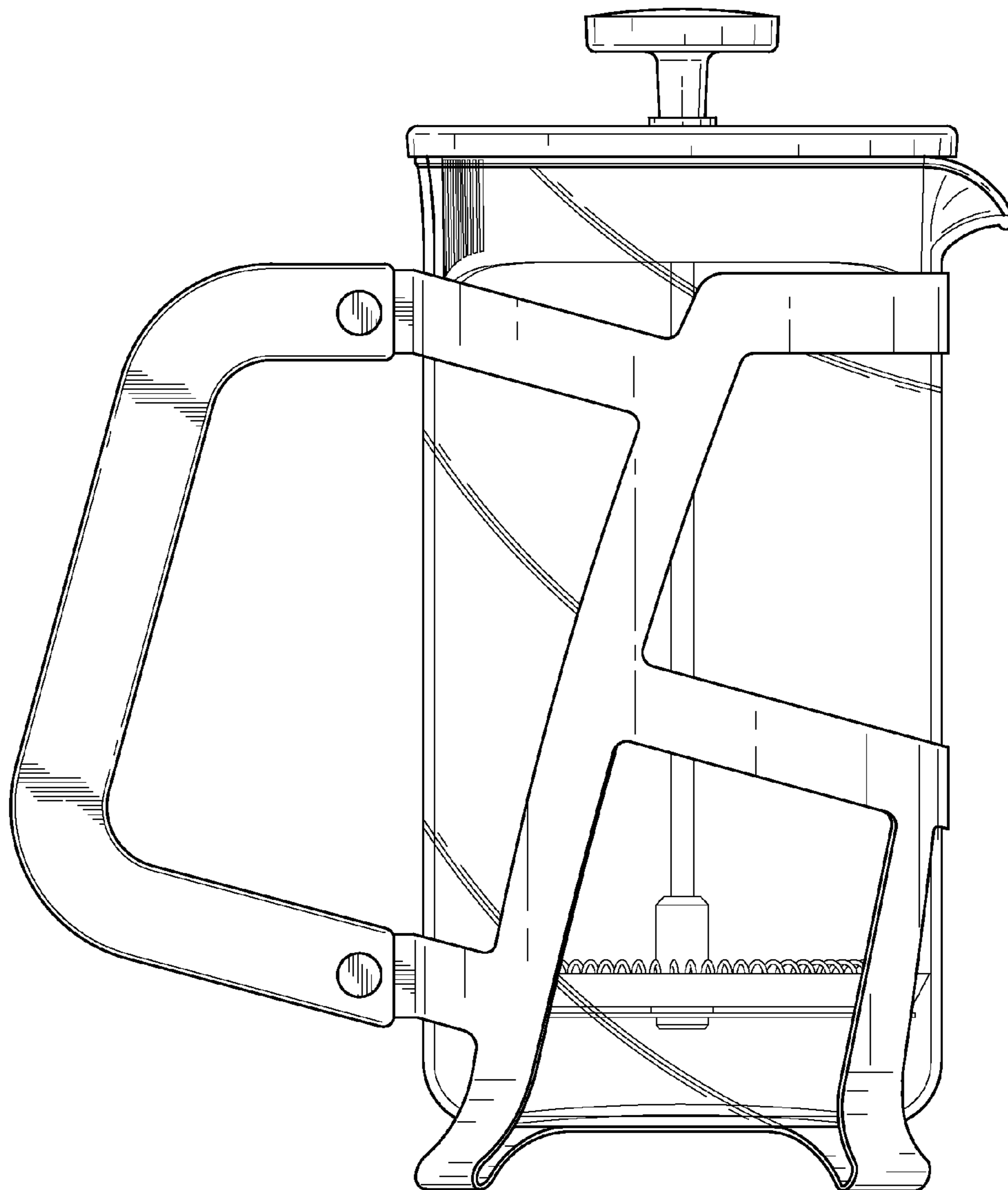


FIG. 3

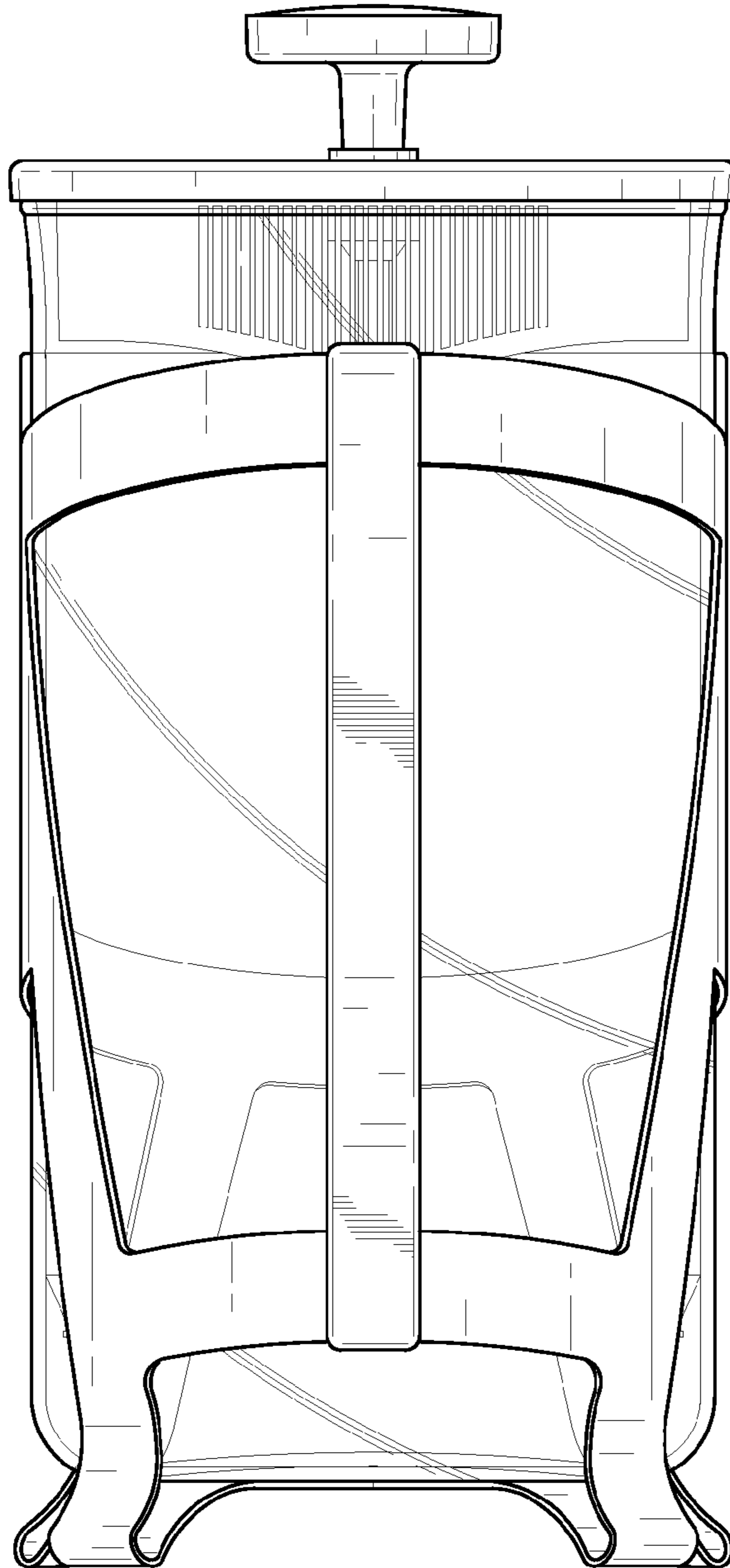


FIG. 4

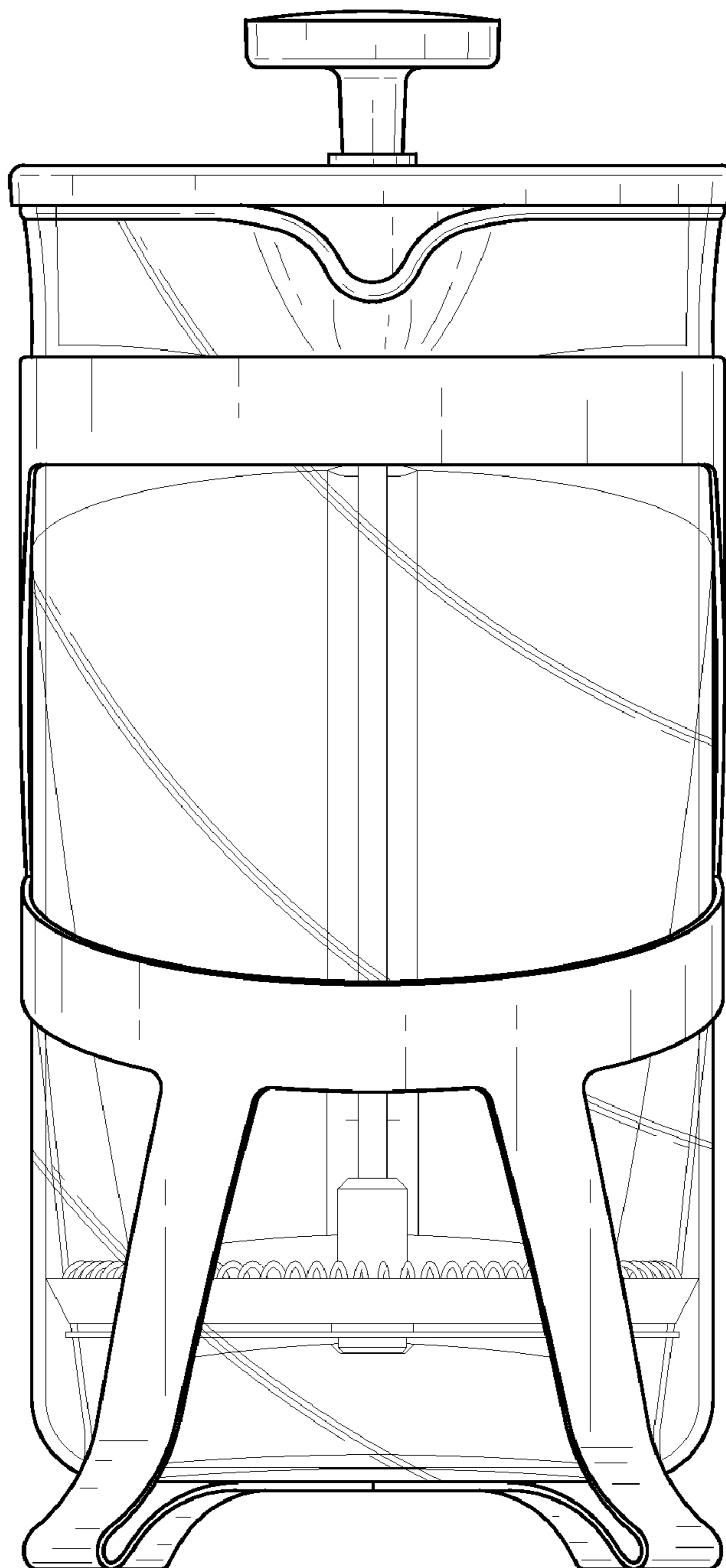


FIG. 5

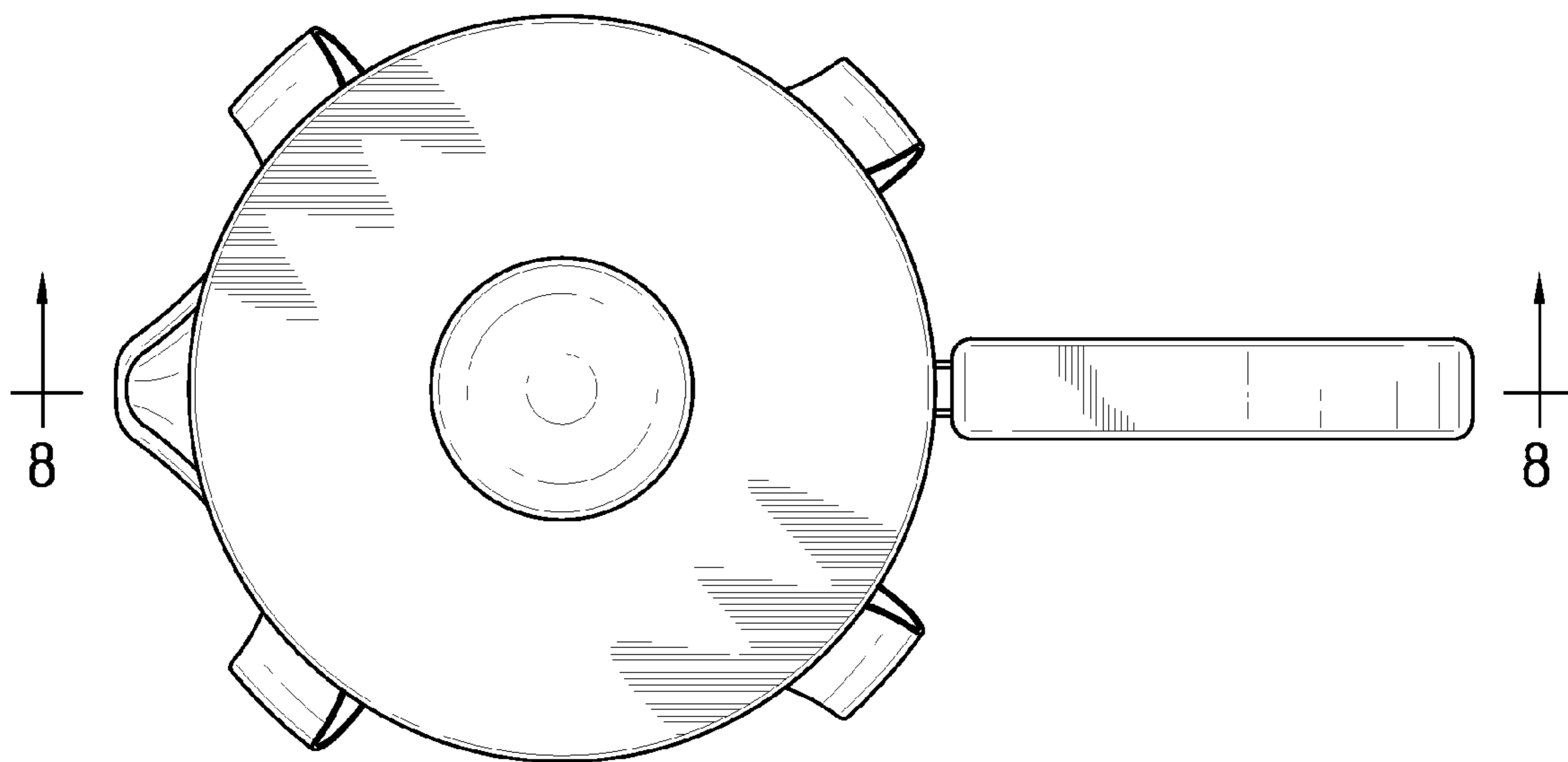


FIG. 6

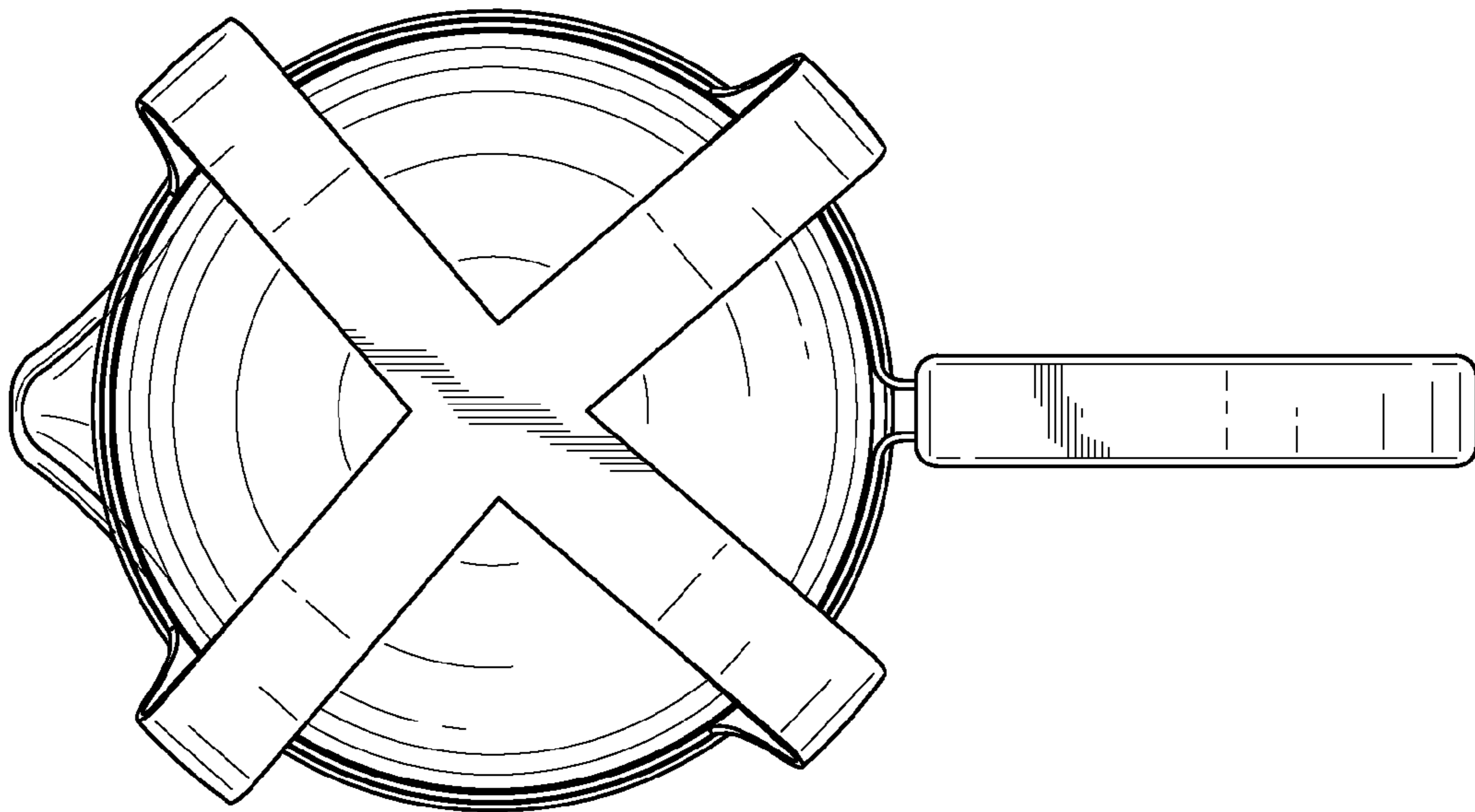


FIG. 7

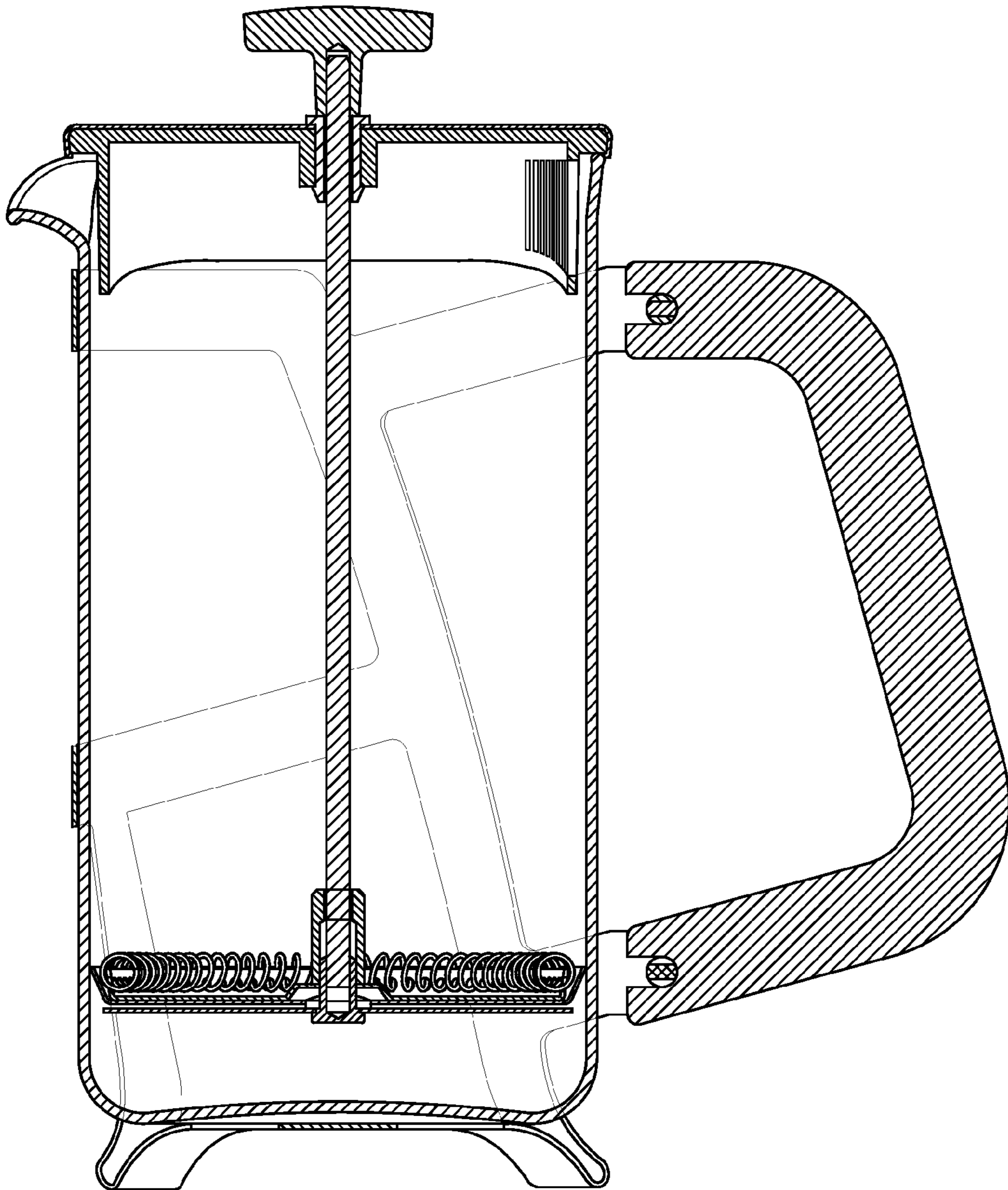


FIG. 8