



US00D565885S

(12) **United States Design Patent**
Kirtz et al.

(10) **Patent No.:** **US D565,885 S**

(45) **Date of Patent:** **** Apr. 8, 2008**

(54) **MEDIA CARTRIDGE PAGE**

(75) Inventors: **Kevin Kirtz**, Massillon, OH (US);
John Leo Scott, Sr., Wooster, OH (US)

(73) Assignee: **Nexpak Corporation**, Duluth, GA (US)

(**) Term: **14 Years**

(21) Appl. No.: **29/240,173**

(22) Filed: **Oct. 8, 2005**

(51) **LOC (8) Cl.** **06-04**

(52) **U.S. Cl.** **D6/626**

(58) **Field of Classification Search** D6/626-627,
D6/629, 632, 635; D14/480; 206/308.1,
206/309-310, 312, 526, 445, 749; 312/91,
312/902, 9.9, 9.48, 9.55, 9.64, 9.47, 9.53,
312/328; D19/33, 76

See application file for complete search history.

(56) **References Cited**

U.S. PATENT DOCUMENTS

5,322,162	A *	6/1994	Melk	206/310
5,477,960	A *	12/1995	Chen	206/308.1
D426,721	S *	6/2000	Benden et al.	D6/407
D429,733	S *	8/2000	Jones et al.	D14/479
6,554,132	B2 *	4/2003	Lau	206/303
D482,225	S *	11/2003	Farrar et al.	D6/626
D501,011	S *	1/2005	Sumner et al.	D14/480
D517,363	S *	3/2006	Goto	D6/629
D517,850	S *	3/2006	Goto	D6/629
D518,674	S *	4/2006	Goto	D6/629
D522,791	S *	6/2006	Ho	D6/634

7,191,899	B2 *	3/2007	Garcia et al.	206/308.1
2007/0000798	A1 *	1/2007	Gelardi	206/308.1

* cited by examiner

Primary Examiner—Cathron C. Brooks

Assistant Examiner—Kelley A. Donnelly

(74) *Attorney, Agent, or Firm*—Zollinger & Burleson Ltd.

(57) **CLAIM**

The ornamental design for the media cartridge page, as shown and described.

DESCRIPTION

FIG. 1 is a perspective view of the media cartridge page showing a first embodiment of our new design;

FIG. 2 is a top plan view of FIG. 1;

FIG. 3 is a bottom plan view of FIG. 1;

FIG. 4 is a front elevation view of FIG. 1;

FIG. 5 is a rear elevation view of FIG. 1;

FIG. 6 is a right side view of FIG. 1;

FIG. 7 is a left side view of FIG. 1;

FIG. 8 is a perspective view of the media cartridge page showing a second embodiment of our new design;

FIG. 9 is a top plan view of FIG. 8;

FIG. 10 is a bottom plan view of FIG. 8;

FIG. 11 is a front elevation view of FIG. 8;

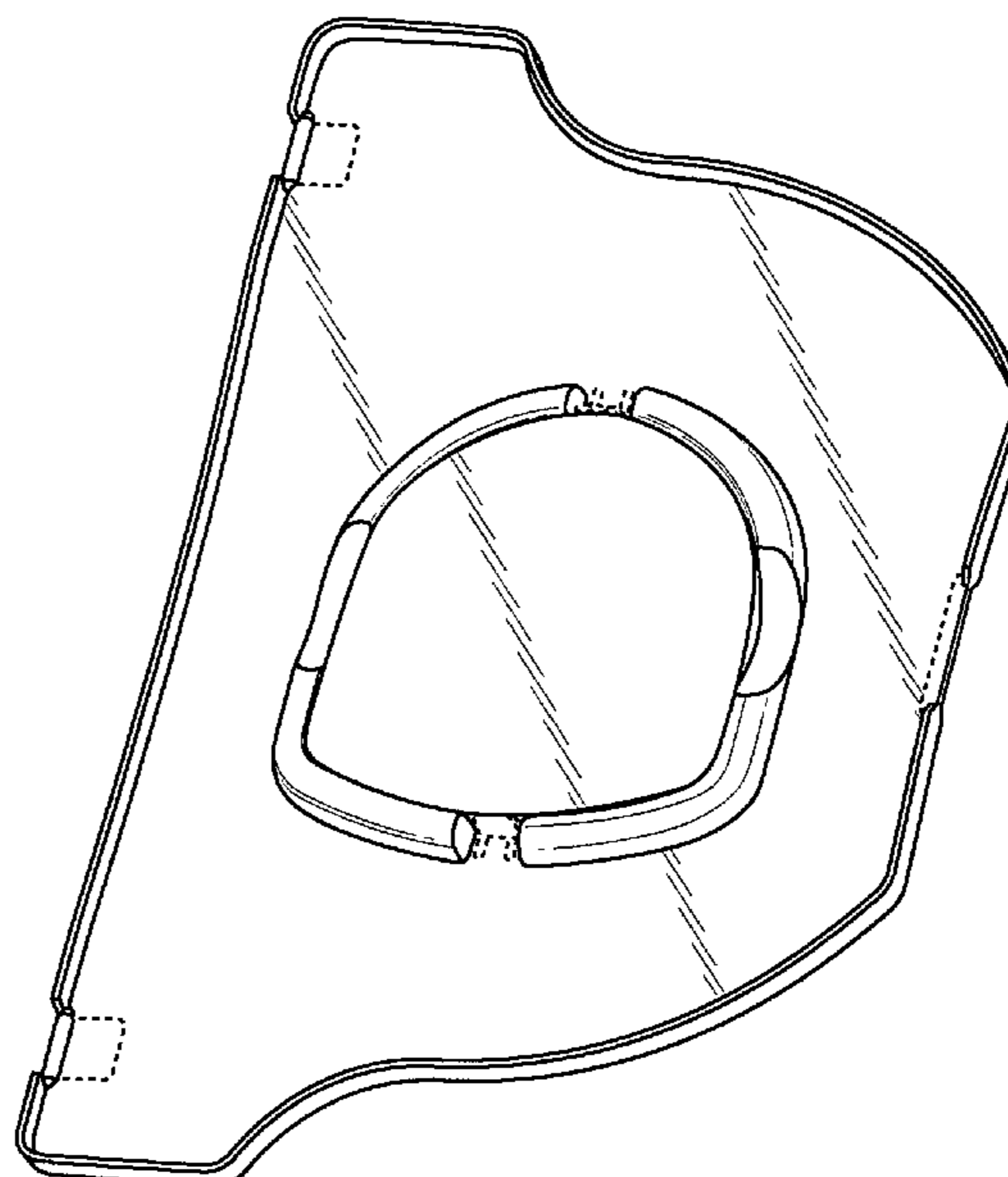
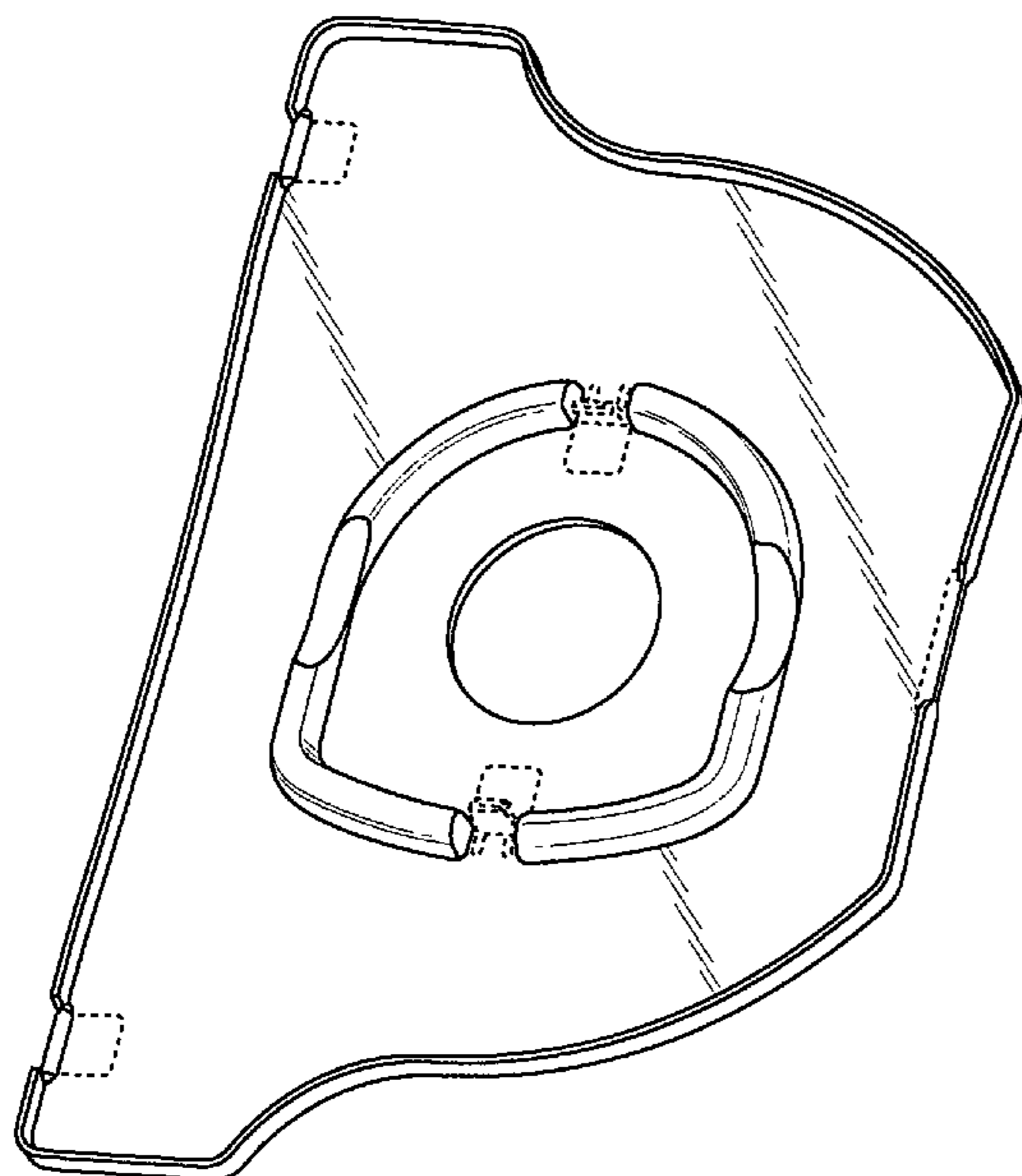
FIG. 12 is a rear elevation view of FIG. 8

FIG. 13 is a right side view of FIG. 8; and,

FIG. 14 is a left side view of FIG. 8.

The broken lines form no part of the claimed design.

1 Claim, 10 Drawing Sheets



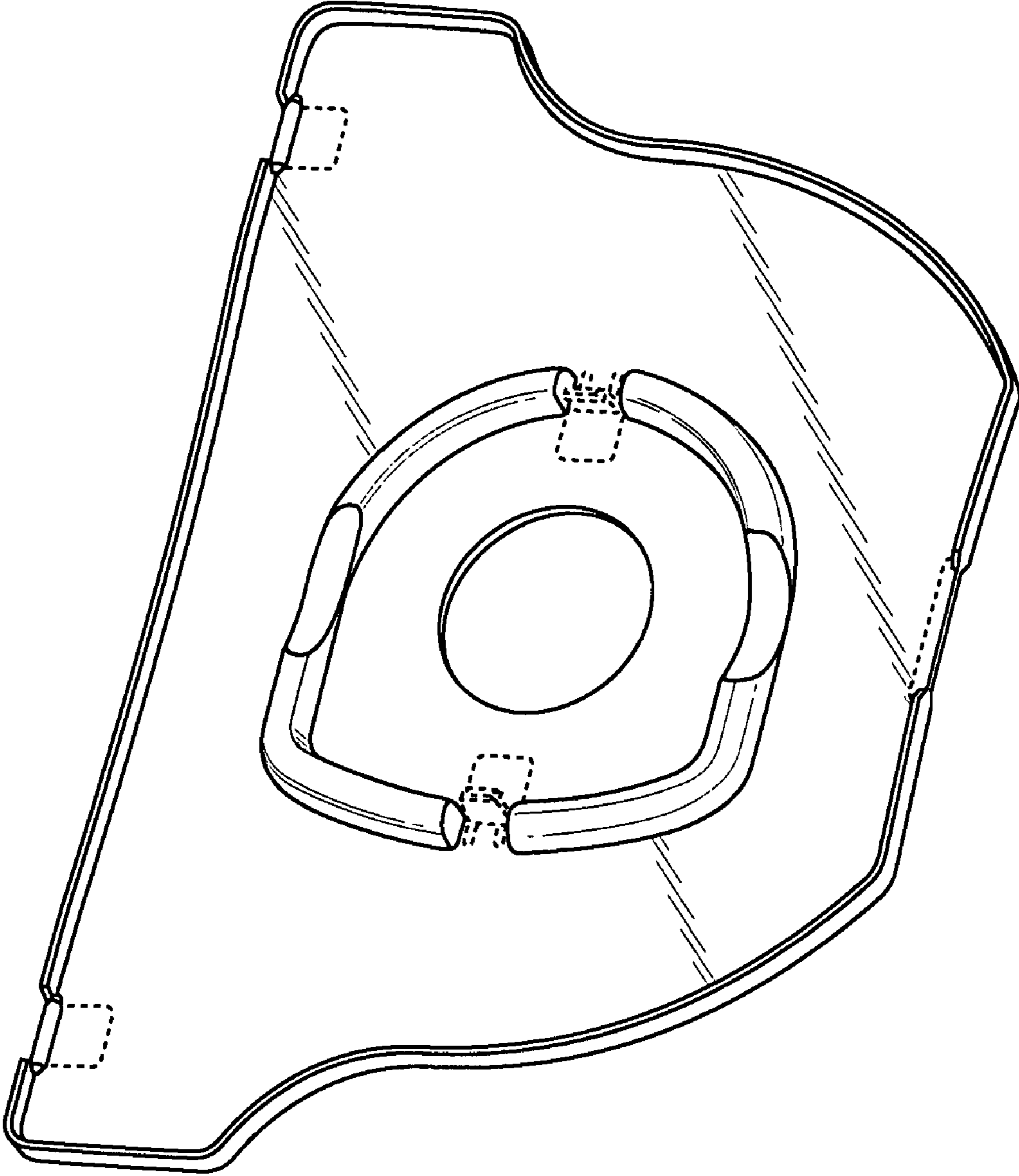


Fig. 1

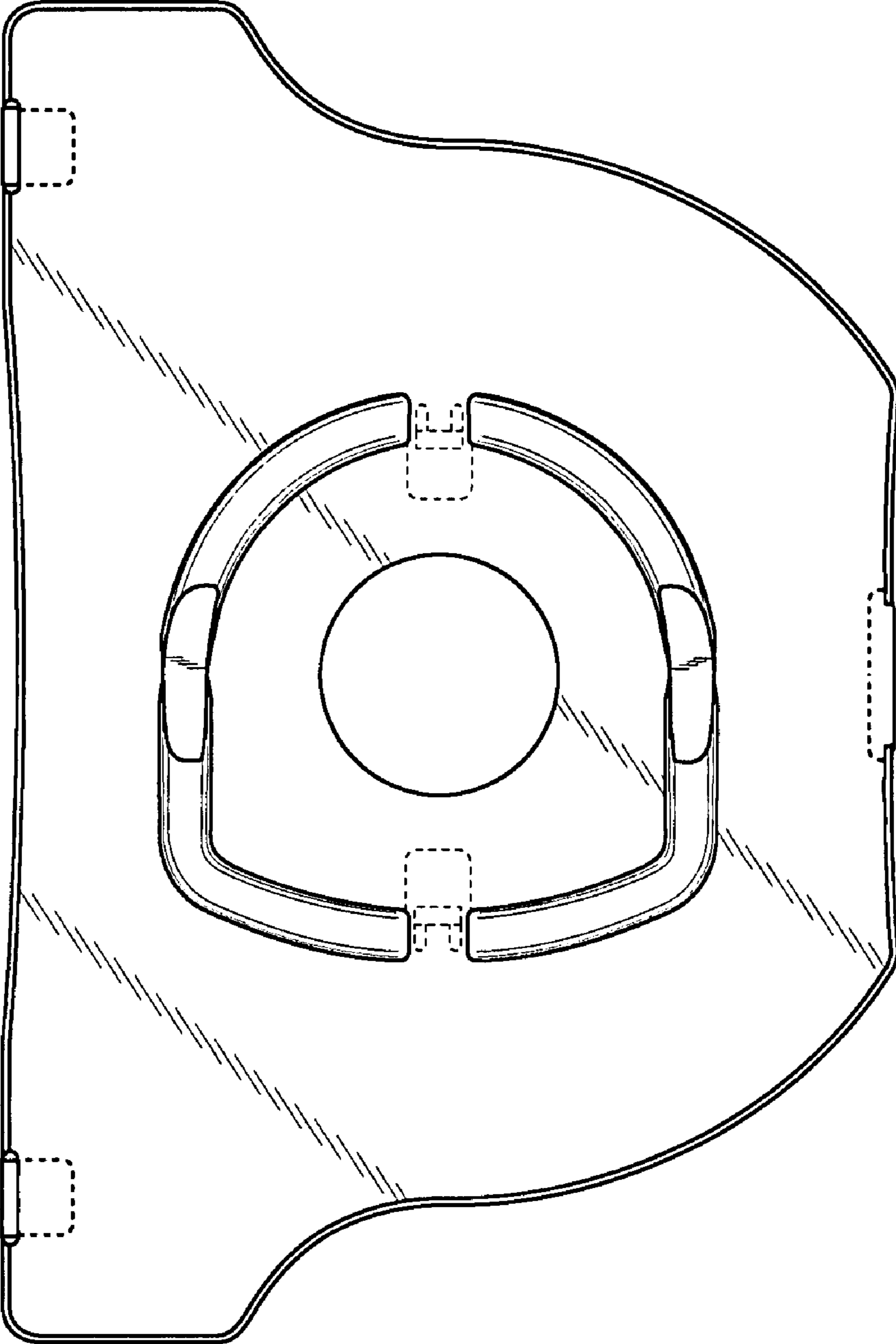


Fig. 2

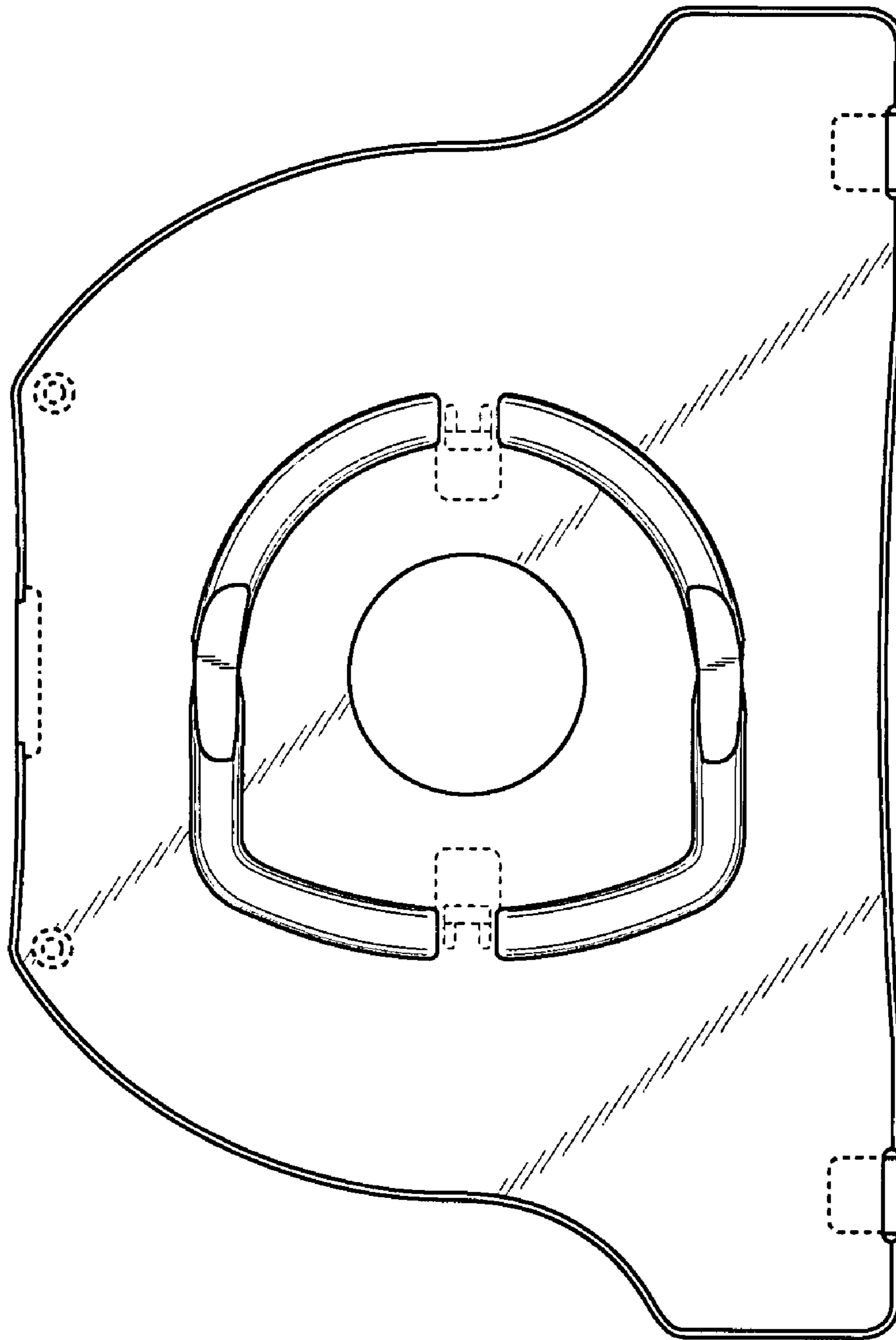


Fig. 3

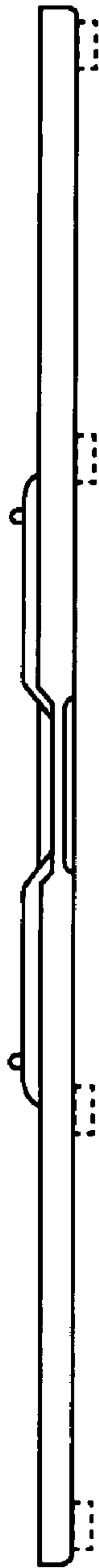


Fig. 4



Fig. 5

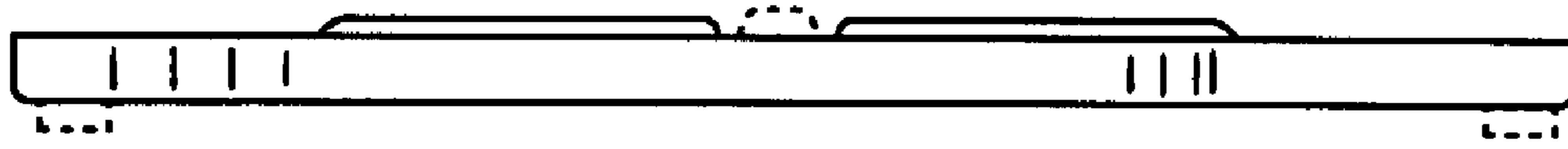


Fig. 6



Fig. 7

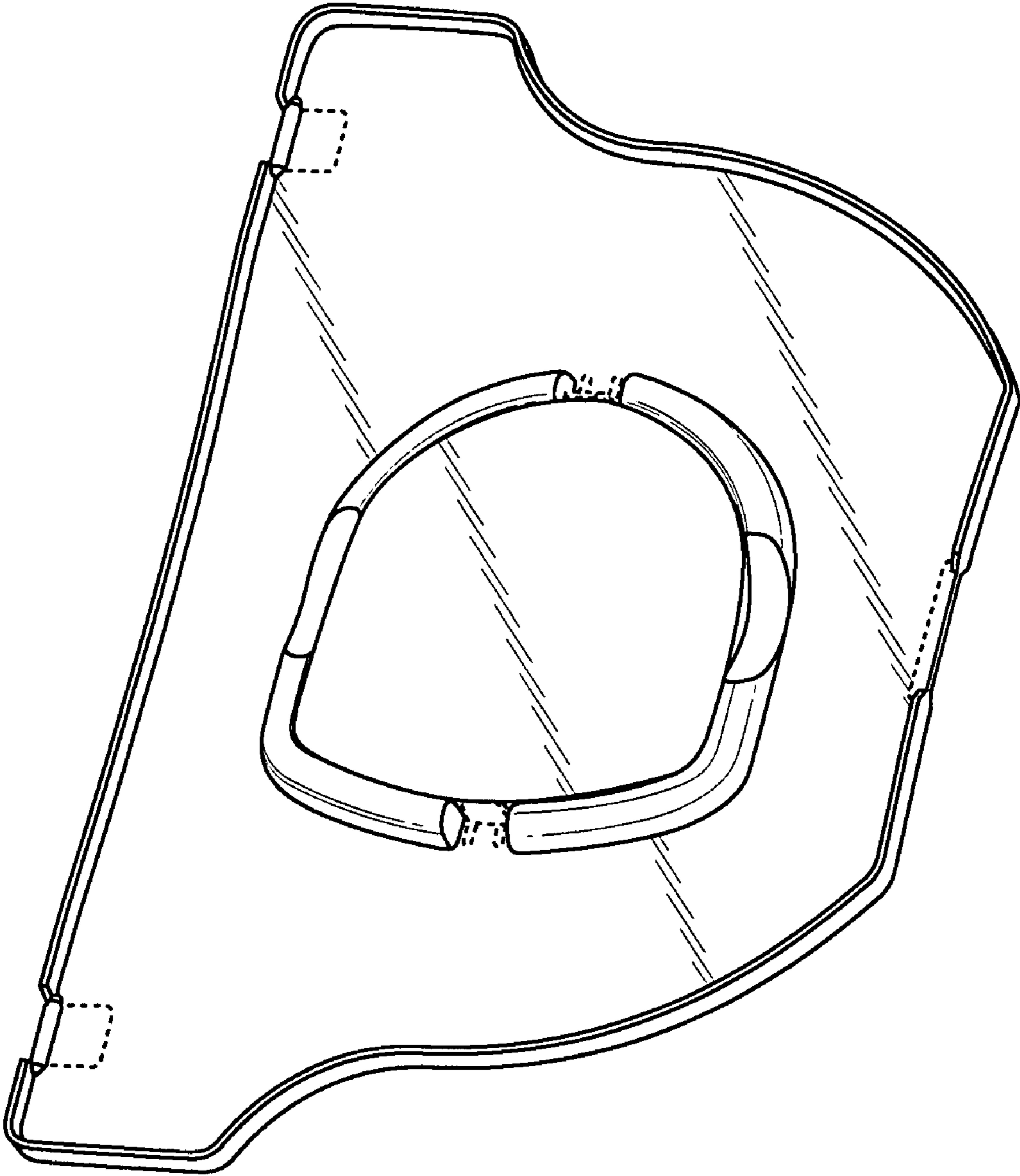


Fig. 8

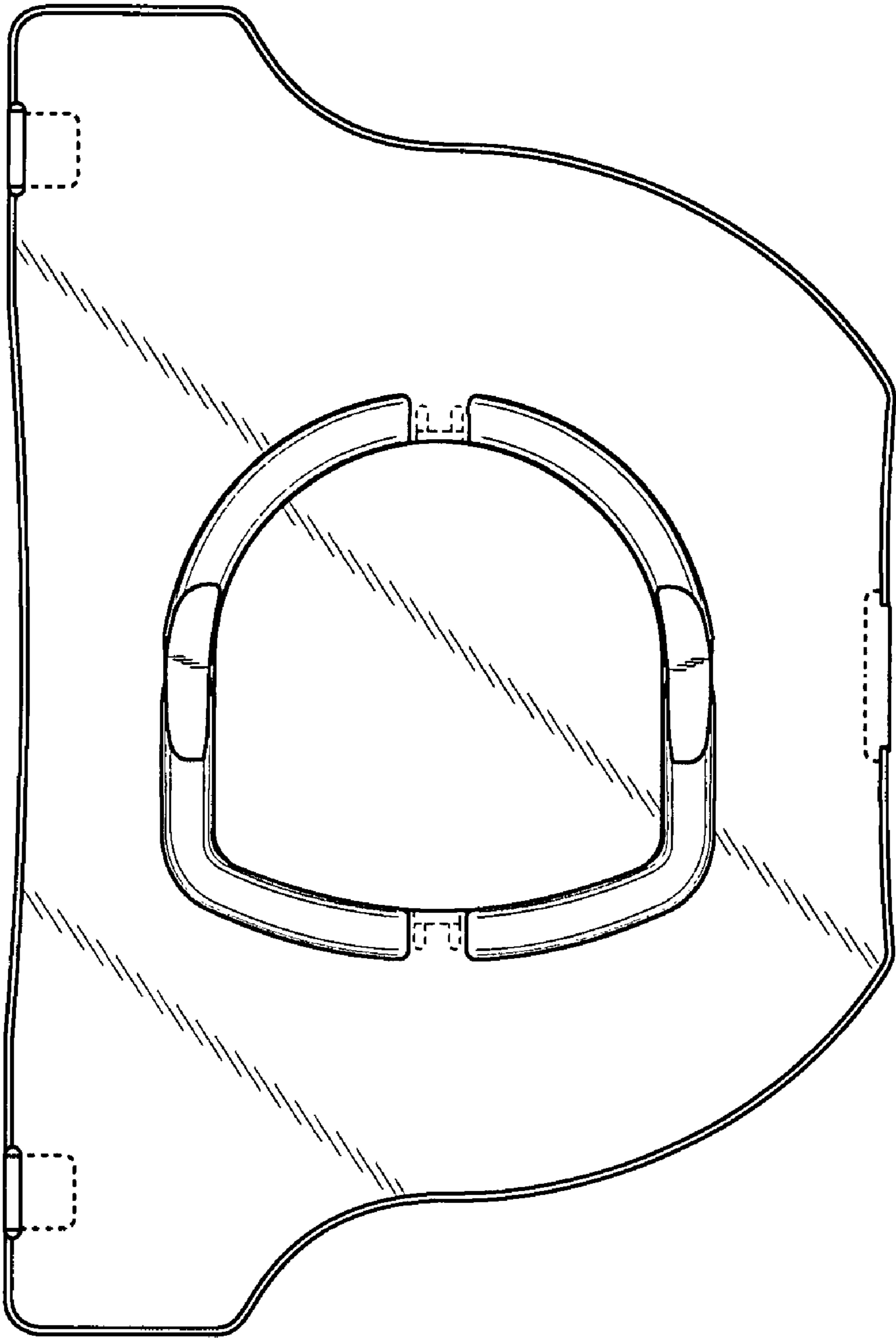


Fig. 9

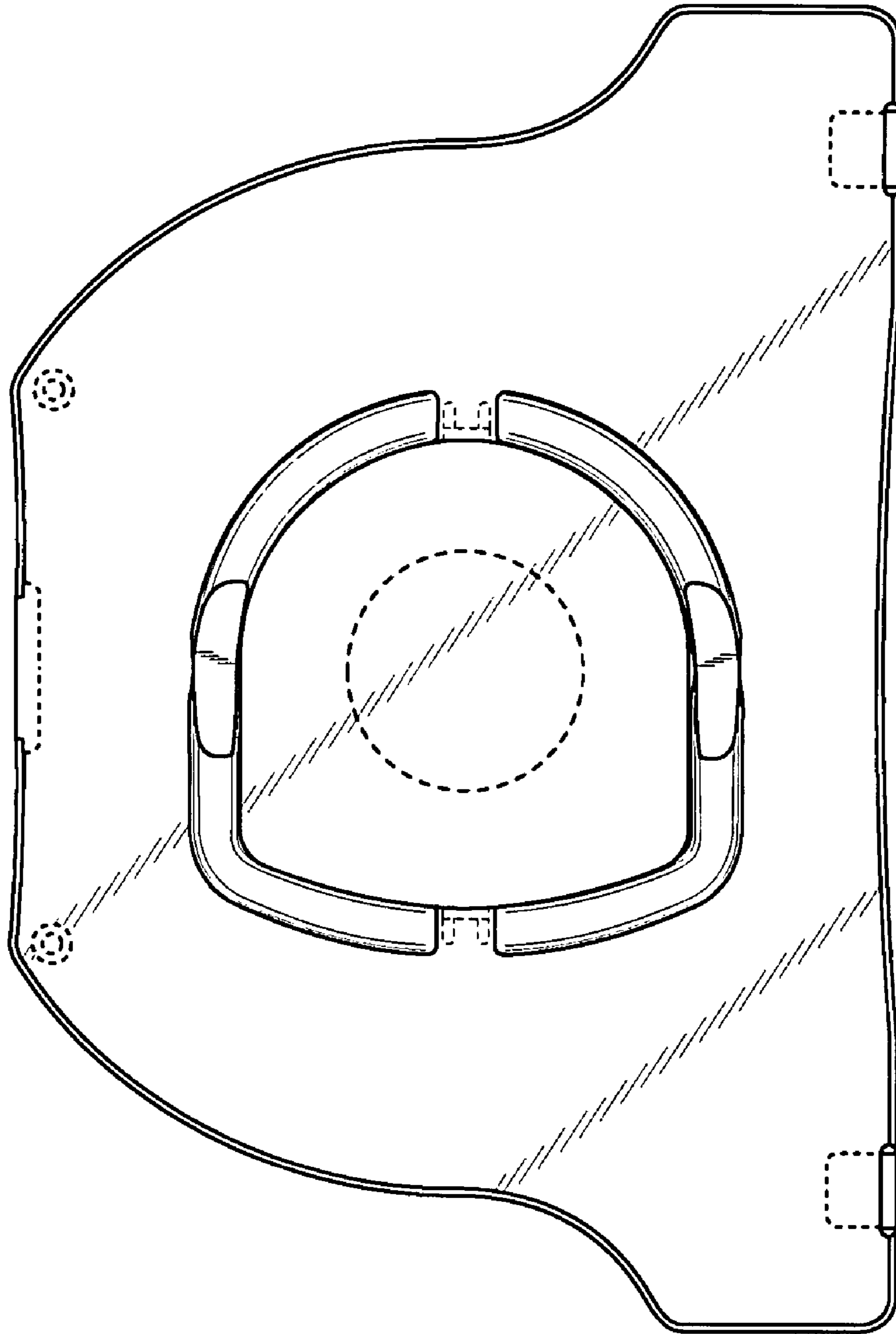


Fig. 10

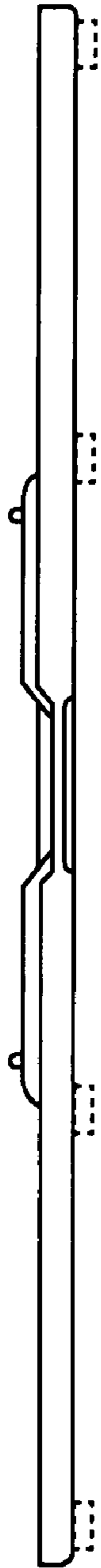


Fig. 11

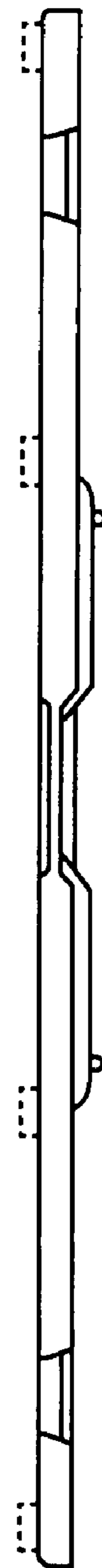


Fig. 12

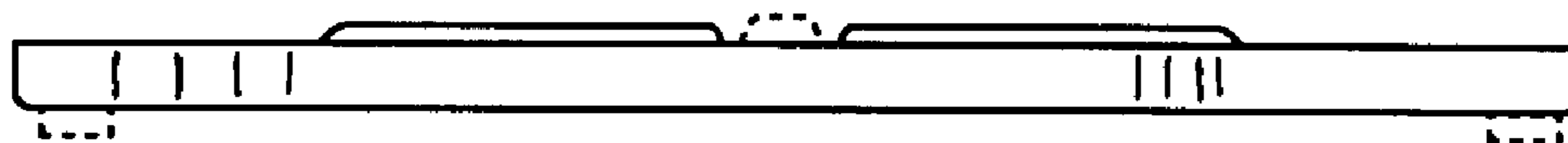


Fig. 13

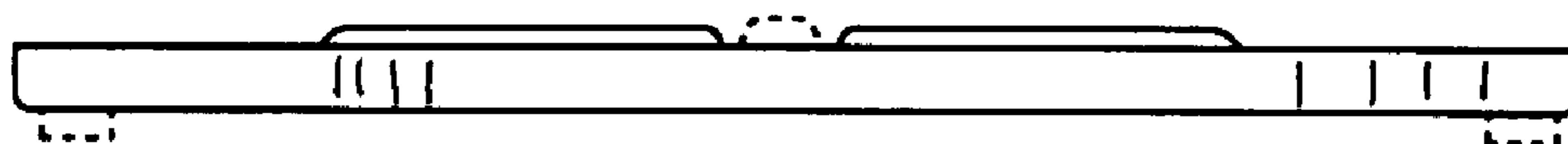


Fig. 14