

US00D565882S

(12) **United States Design Patent**  
**Goodman et al.**

(10) **Patent No.:** **US D565,882 S**

(45) **Date of Patent:** **\*\* Apr. 8, 2008**

(54) **OVER-THE-DOOR IRON AND IRONING BOARD HOLDER**

D470,394 S \* 2/2003 Harwanko ..... D6/513  
D499,286 S \* 12/2004 Harwanko ..... D6/514  
D501,106 S \* 1/2005 Suero, Jr. .... D6/514  
D547,098 S \* 7/2007 Goodman et al. .... D6/514

(75) Inventors: **Sheldon H. Goodman**, Solon, OH (US); **Justin J. Myers**, Strongsville, OH (US)

\* cited by examiner

(73) Assignee: **Spectrum Diversified Designs, Inc.**, Streetsboro, OH (US)

*Primary Examiner*—Brian N Vinson  
(74) *Attorney, Agent, or Firm*—Pearne & Gordon LLP

(\*\*) Term: **14 Years**

(57) **CLAIM**

(21) Appl. No.: **29/278,737**

The ornamental design for an over-the-door iron and ironing board holder, as shown and described.

(22) Filed: **Apr. 9, 2007**

**DESCRIPTION**

(51) **LOC (8) Cl.** ..... **06-04**

(52) **U.S. Cl.** ..... **D6/566; D6/514**

(58) **Field of Classification Search** ..... D6/512–514, D6/552, 553, 524, 525, 566, 570; 211/13.1, 211/106, 70.6, 134, 70.7, 71.01, 86.01, 90.01, 211/90.03, 126.1, 181.1; 248/302  
See application file for complete search history.

FIG. 1 is a perspective view of an over-the-door iron and ironing board holder, showing our new design;  
FIG. 2 is a front elevational view thereof;  
FIG. 3 is a side elevational view thereof; and,  
FIG. 4 is a rear elevational view thereof.

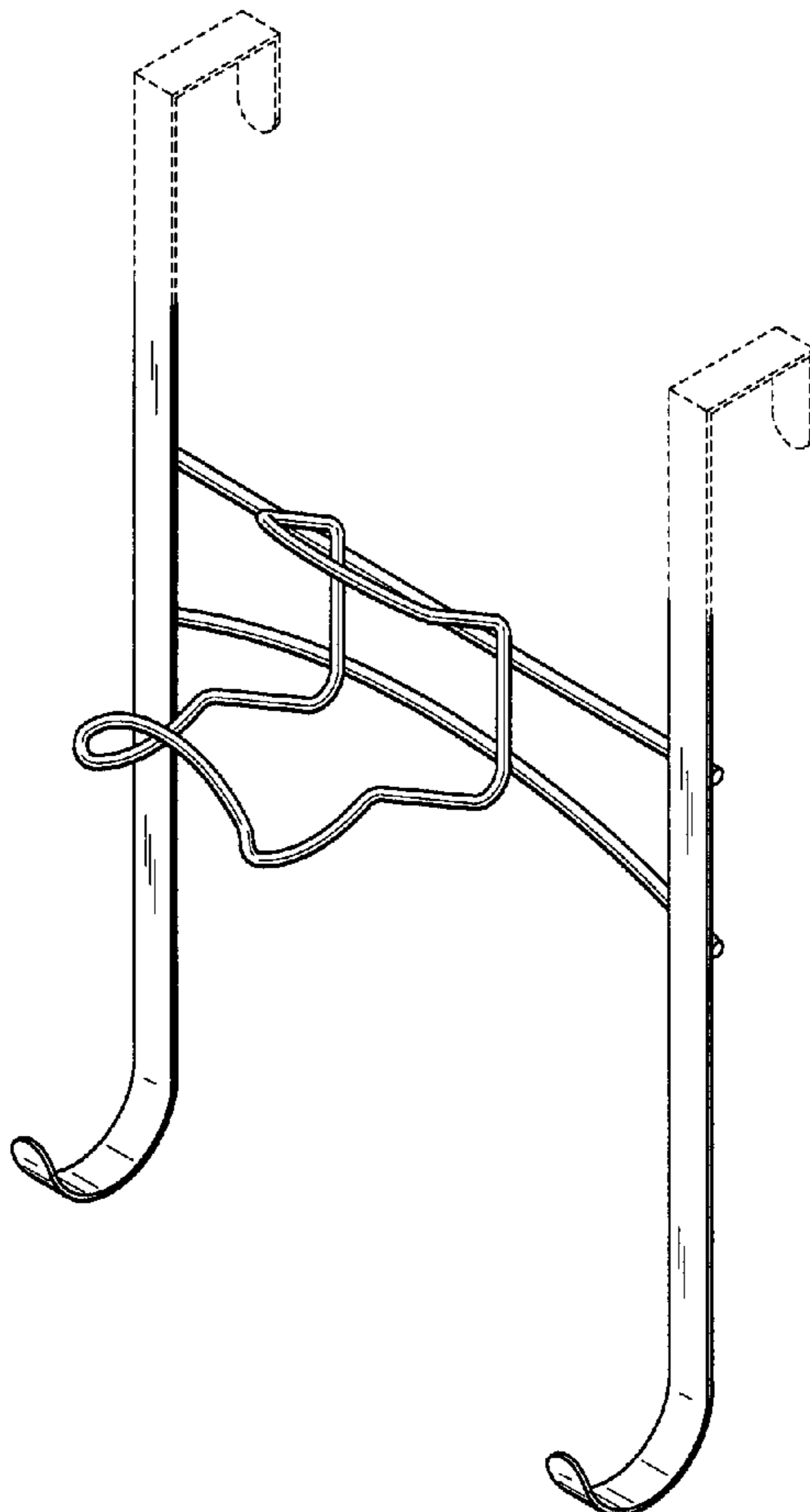
The dotted-line disclosure of elements in the views is for illustrative purposes only and forms no part of the claimed design.

(56) **References Cited**

**U.S. PATENT DOCUMENTS**

D444,377 S \* 7/2001 Harvey ..... D6/513

**1 Claim, 2 Drawing Sheets**



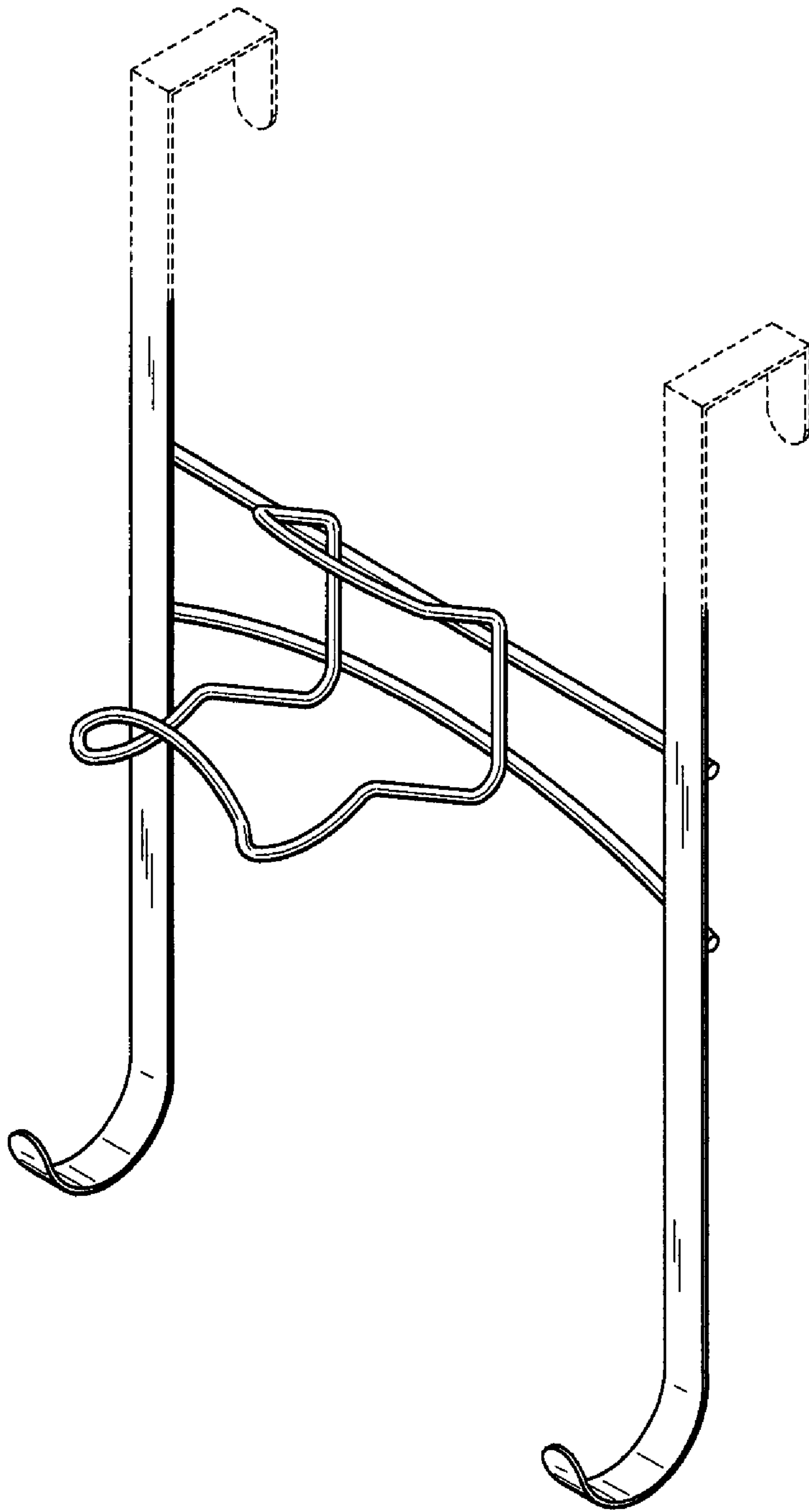


FIG. 1

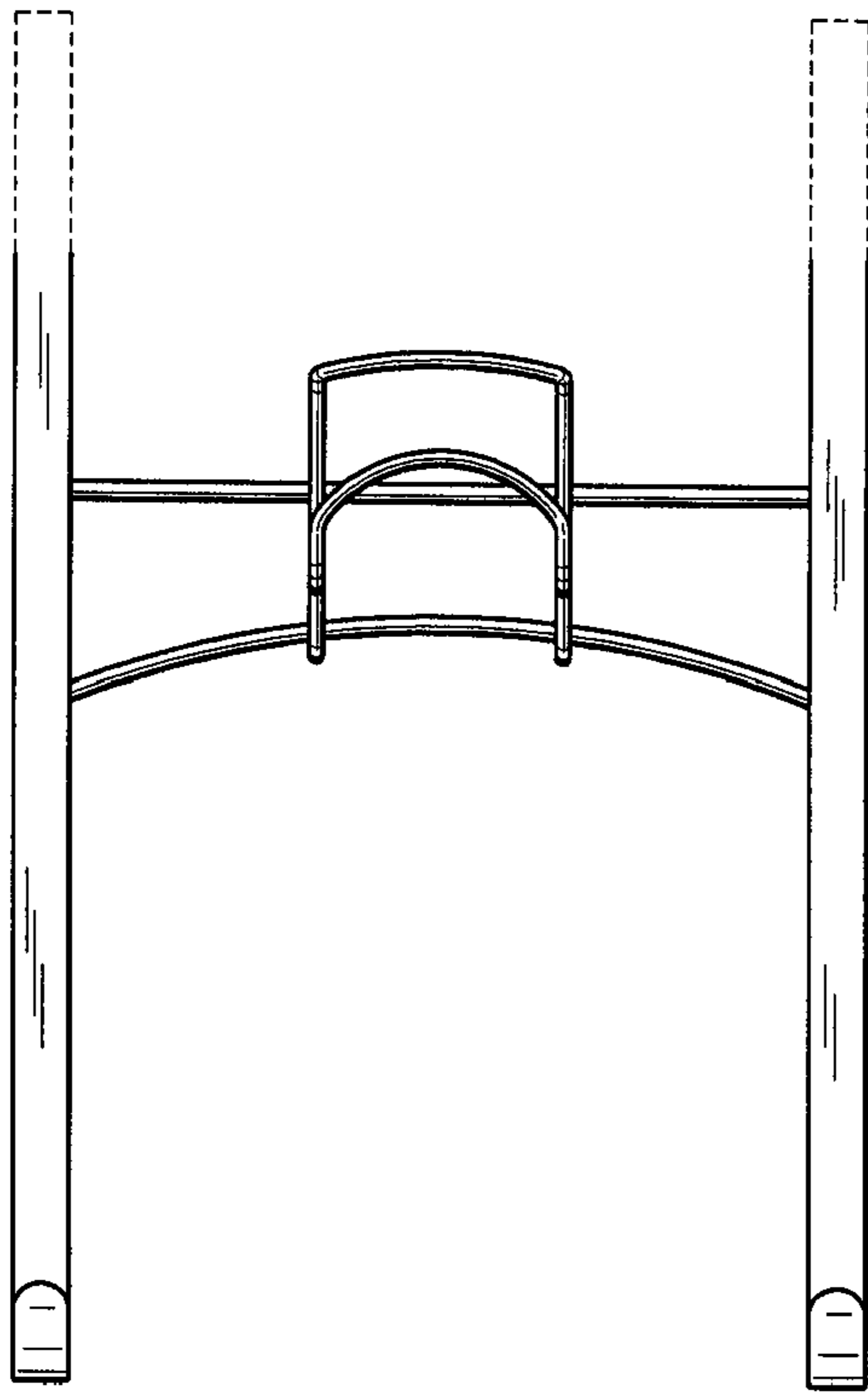


FIG. 2

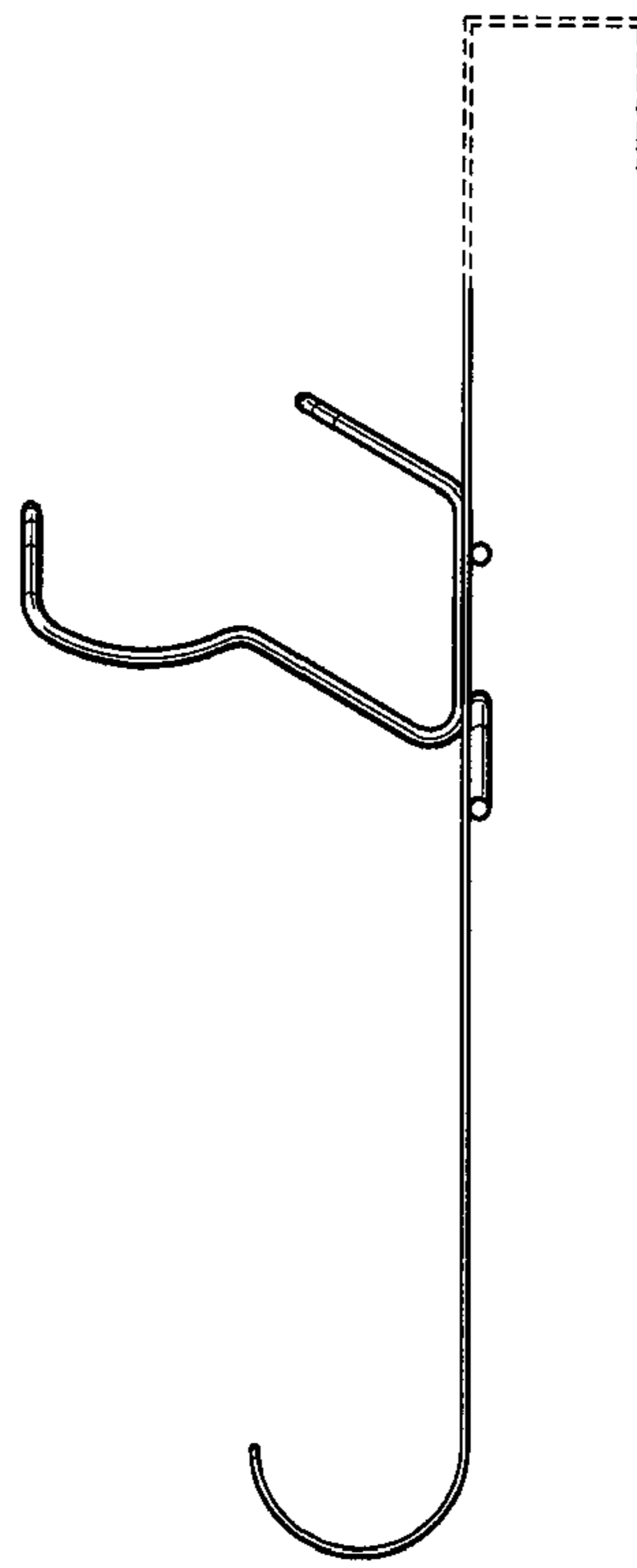


FIG. 3

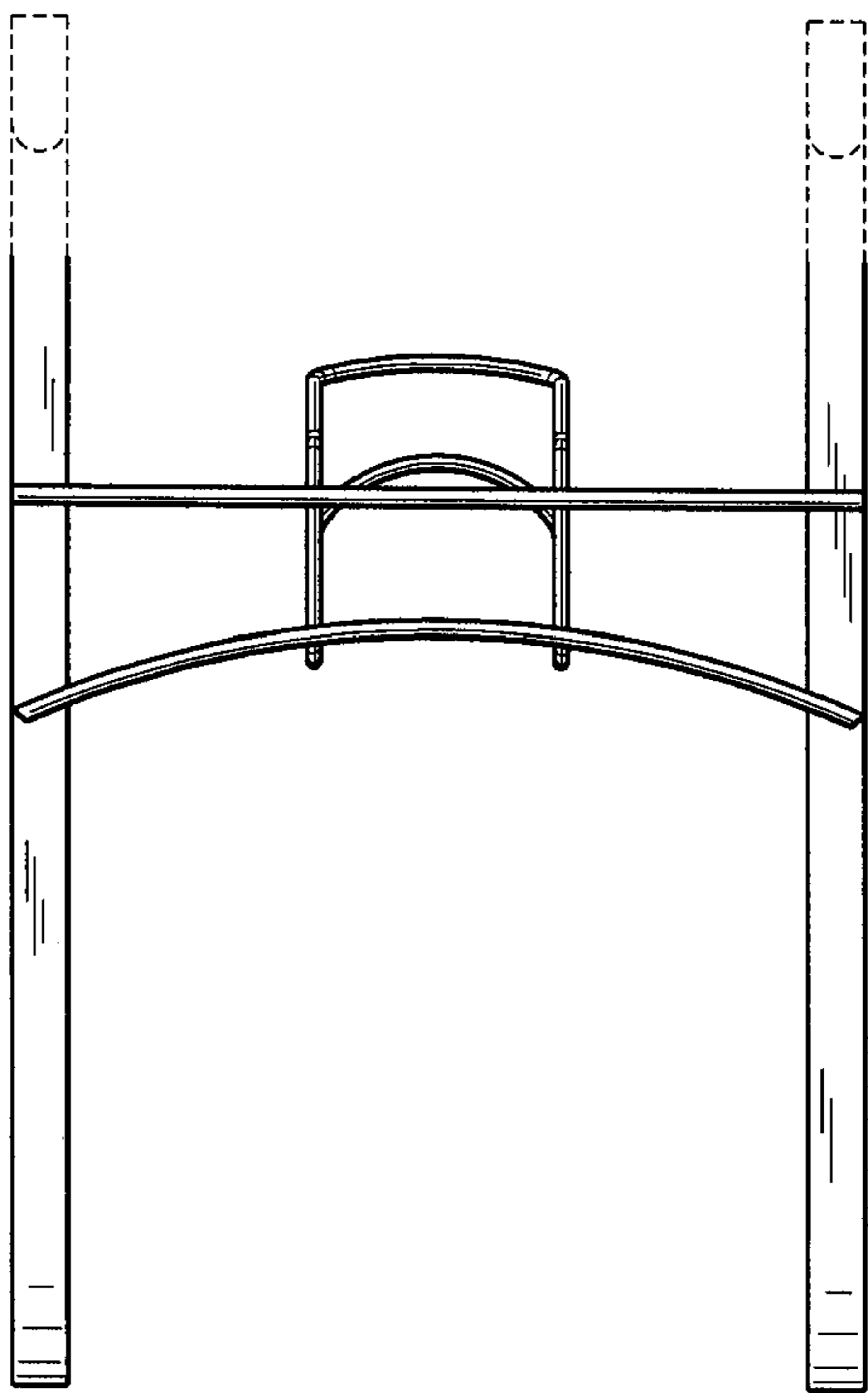


FIG. 4