



US00D565879S

(12) **United States Design Patent**  
**Kadiks**

(10) **Patent No.:** **US D565,879 S**

(45) **Date of Patent:** **\*\* Apr. 8, 2008**

(54) **NOZZLE FOR A FOAM PUMP**

(75) Inventor: **Fedor Kadiks**, Hillegom (NL)

(73) Assignee: **Technical Concepts, LLC**, Mundelein, IL (US)

(\*\*) Term: **14 Years**

(21) Appl. No.: **29/272,047**

(22) Filed: **Jan. 30, 2007**

(51) **LOC (8) Cl.** ..... **23-02**

(52) **U.S. Cl.** ..... **D6/545**

(58) **Field of Classification Search** ..... D6/524-545;  
222/92, 105, 173, 180; 221/282-283; 206/77.1  
See application file for complete search history.

(56) **References Cited**

U.S. PATENT DOCUMENTS

- D471,047 S \* 3/2003 Gordon et al. .... D6/545
- D481,896 S \* 11/2003 Shaanan ..... D6/545
- D500,222 S \* 12/2004 Haas ..... D6/545

- D529,321 S \* 10/2006 Gould et al. .... D6/545
- D529,740 S \* 10/2006 Ophardt ..... D6/545
- D552,394 S \* 10/2007 Vanlane ..... D6/545

\* cited by examiner

*Primary Examiner*—Brian N Vinson

(74) *Attorney, Agent, or Firm*—Brinks Hofer Gilson & Lione

(57) **CLAIM**

The ornamental design for a nozzle for a foam pump, as shown and described.

**DESCRIPTION**

FIG. 1 is a perspective view of our new, original and ornamental design for a nozzle for a foam pump;

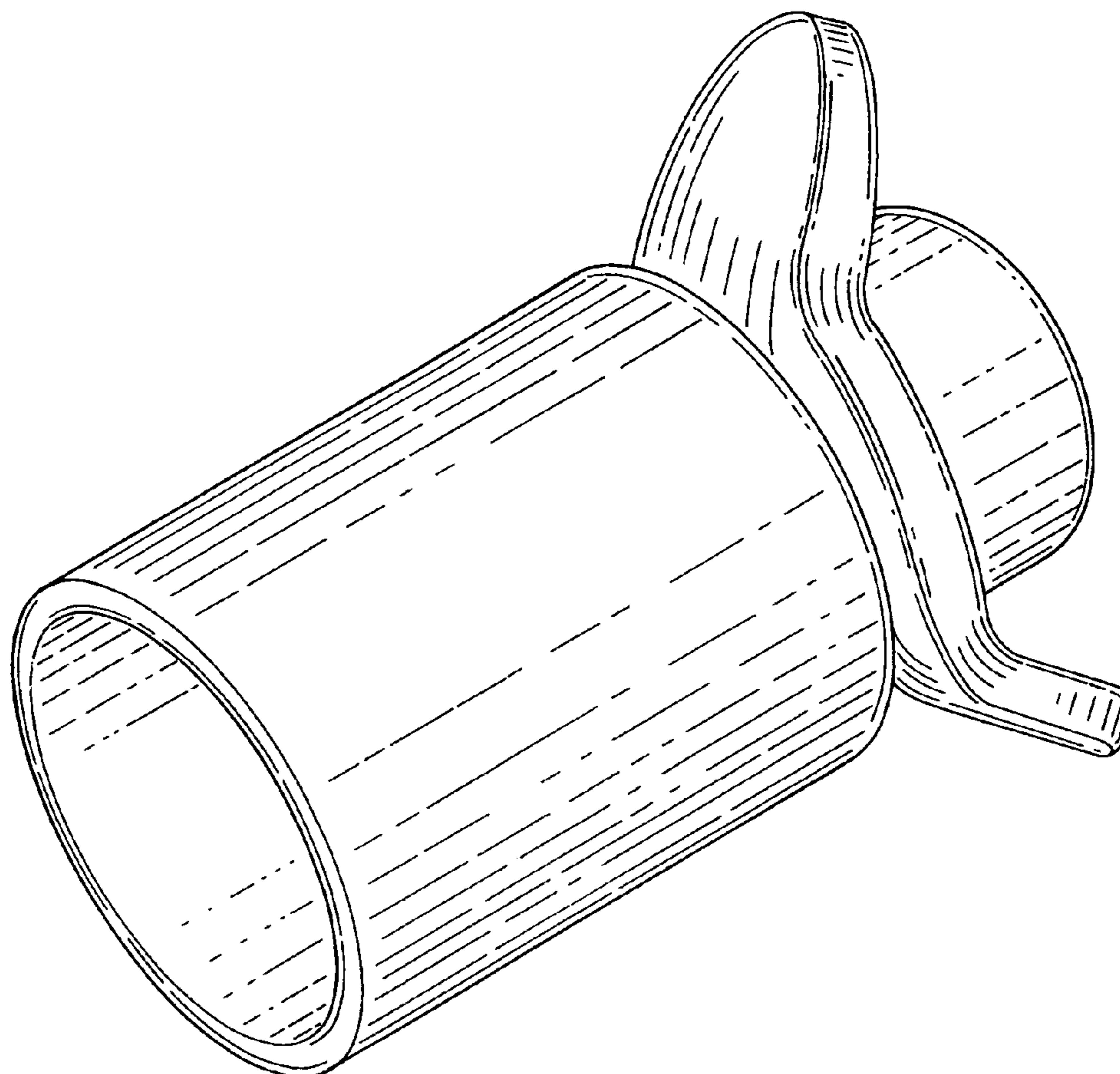
FIG. 2 is a front view thereof

FIG. 3 is a side view thereof;

FIG. 4 is a bottom view thereof; and,

FIG. 5 is a top view thereof.

**1 Claim, 3 Drawing Sheets**



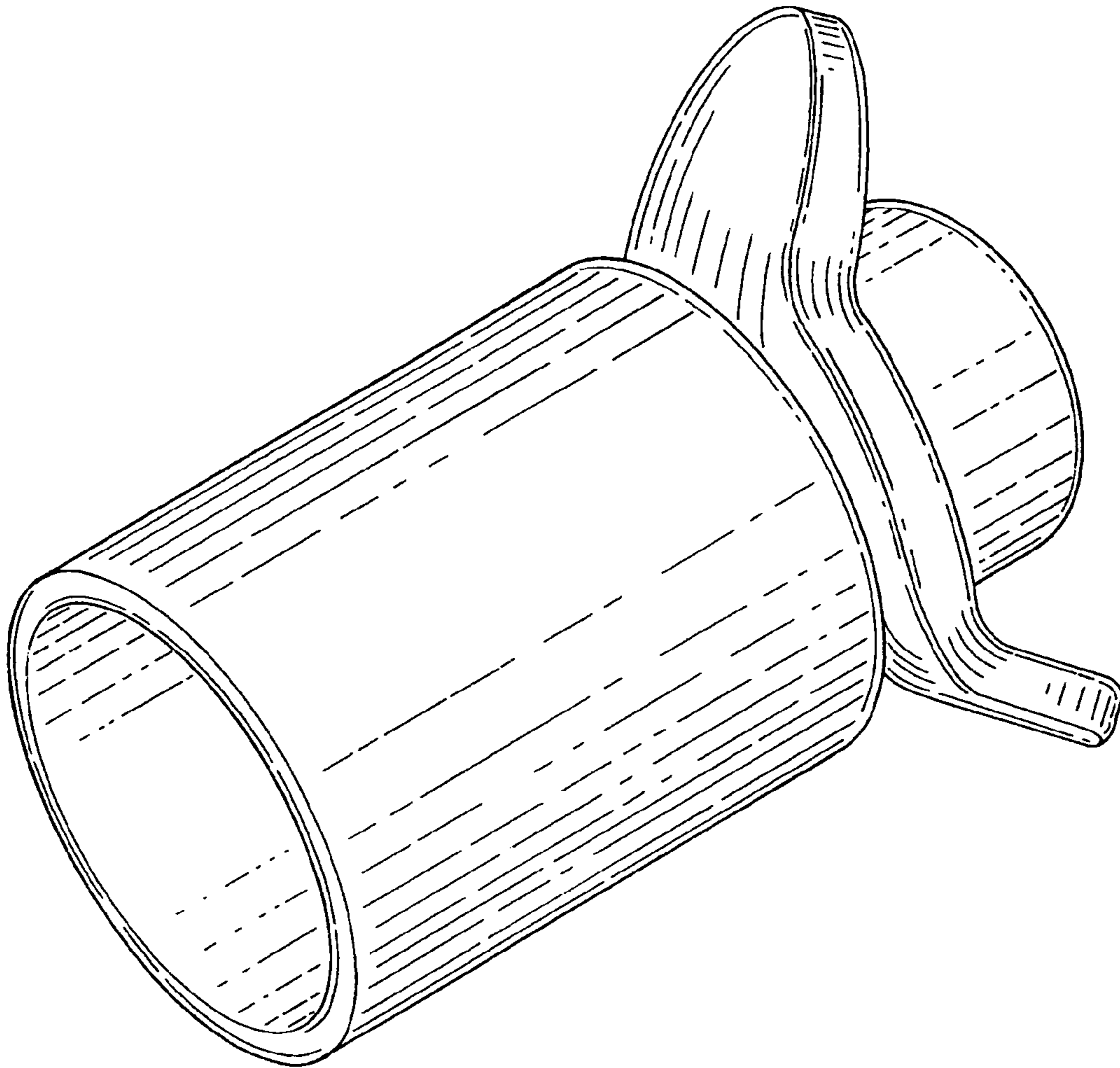


Fig. 1

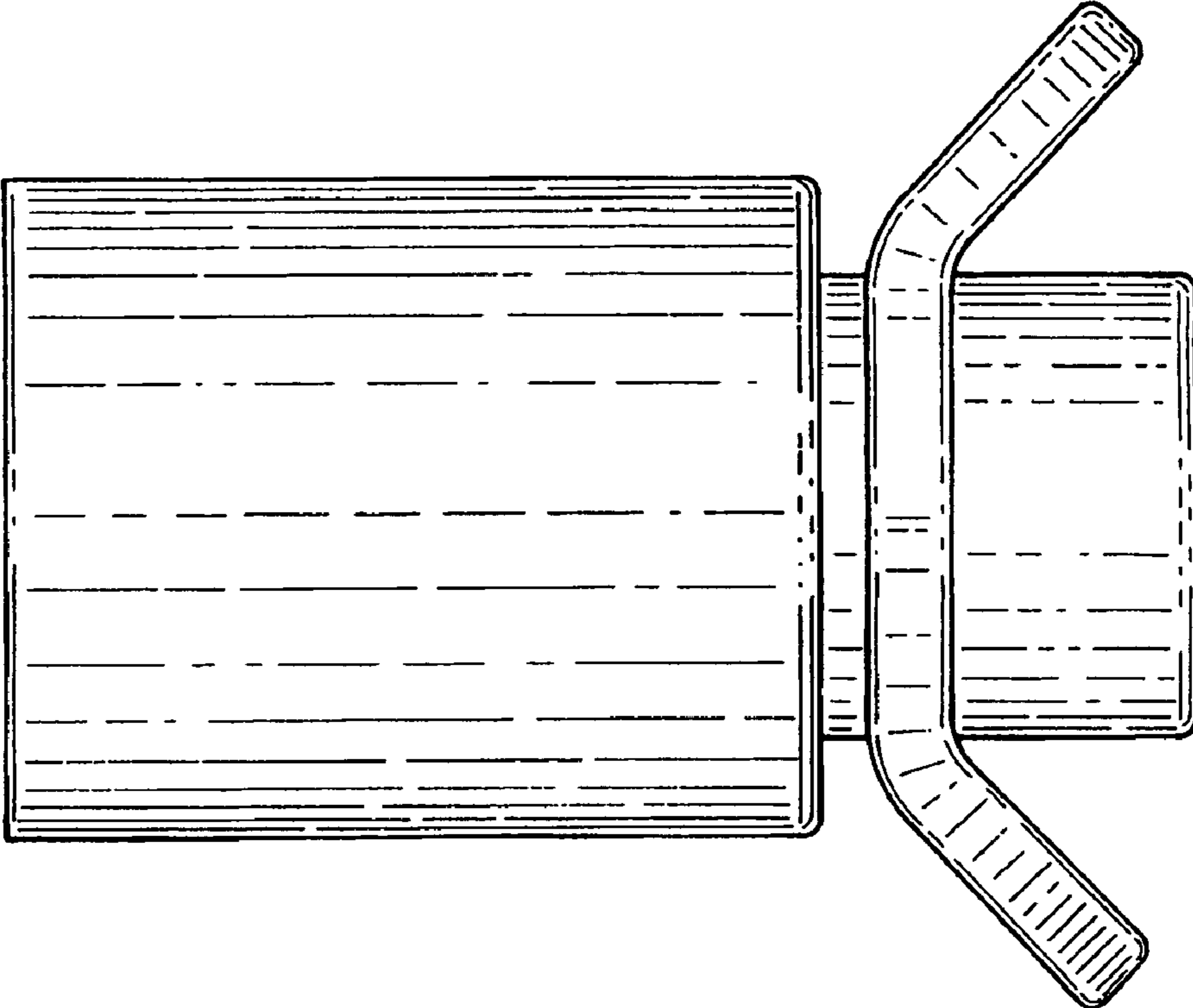


Fig. 2

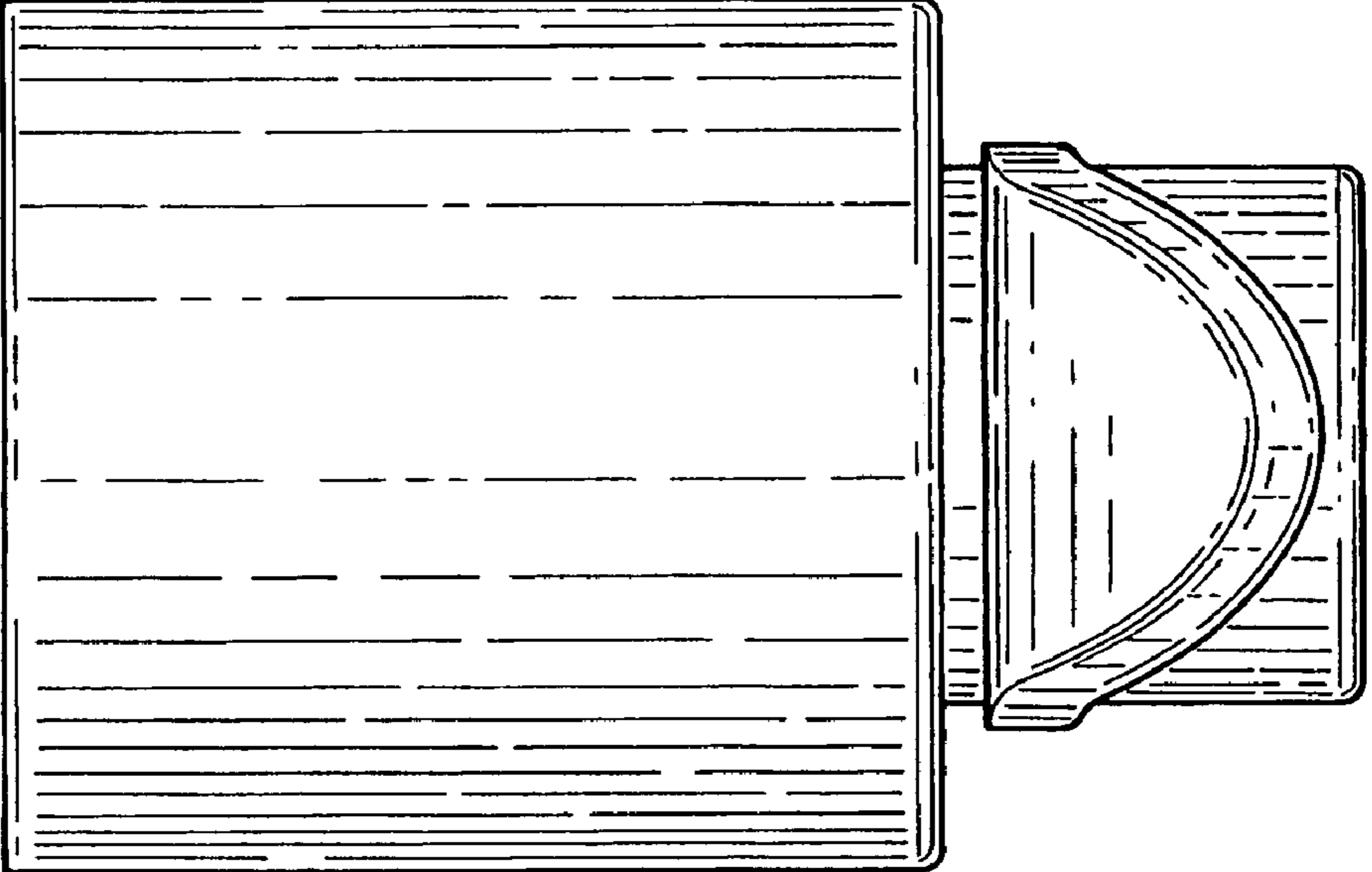


Fig. 3

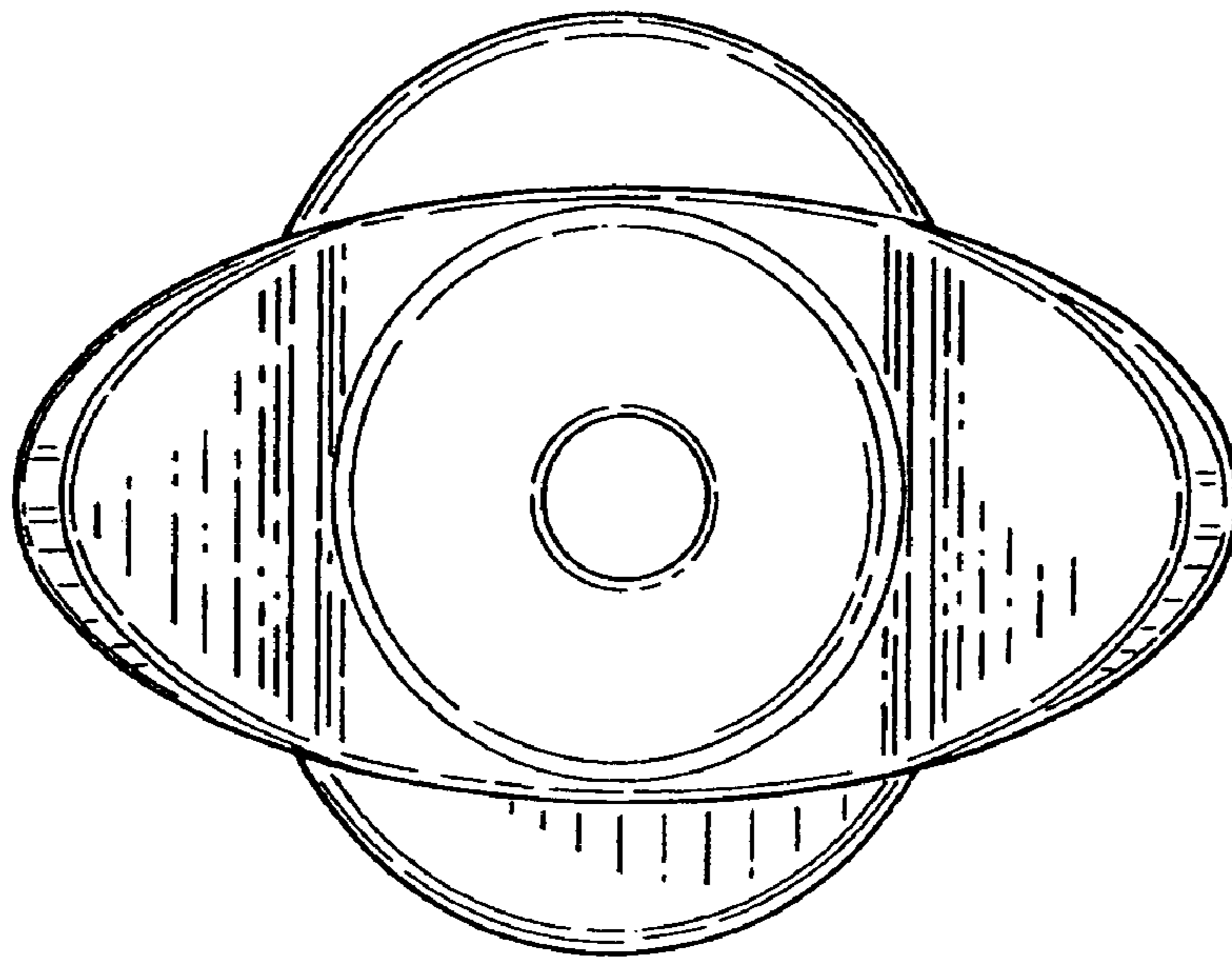


Fig. 4

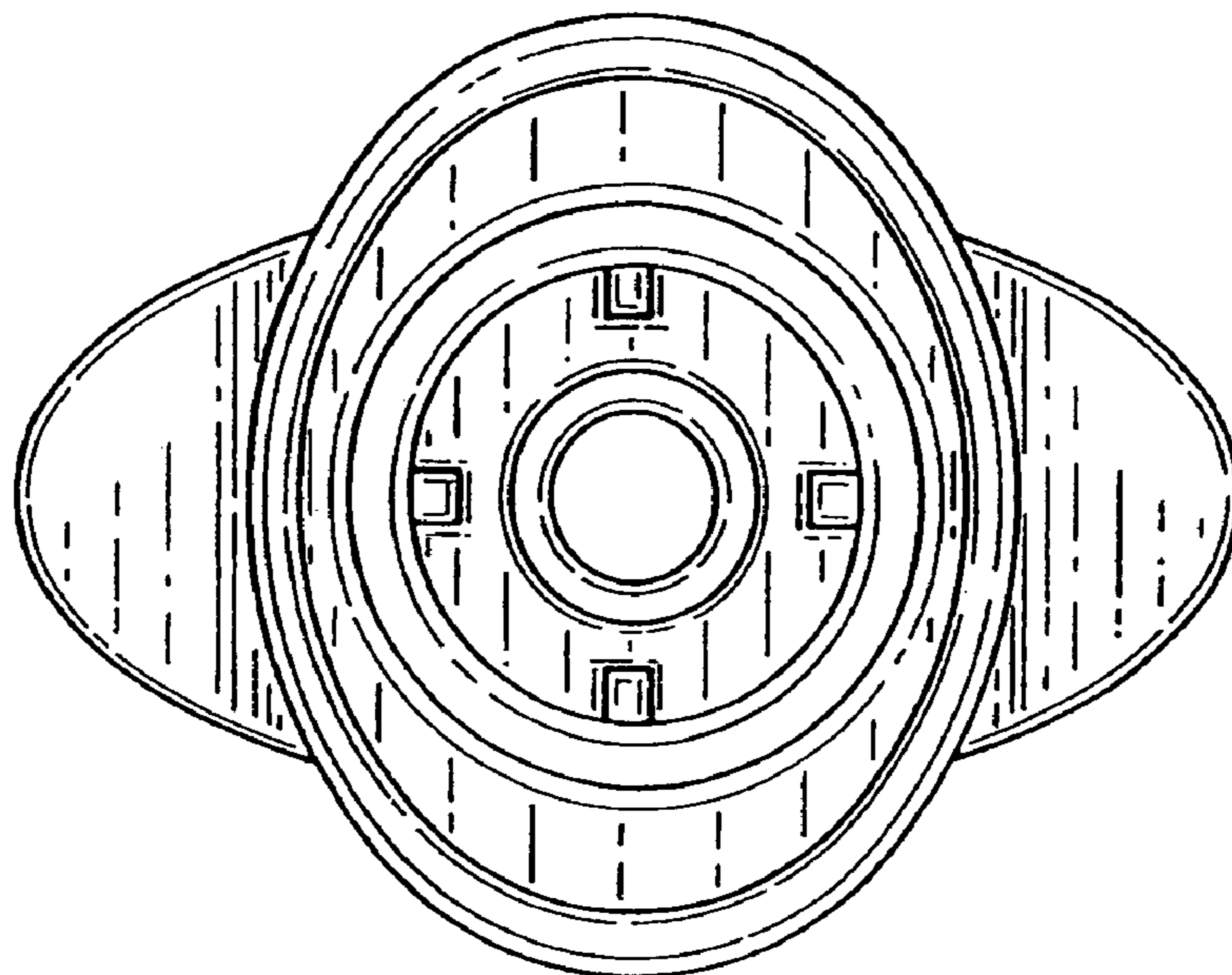


Fig. 5