



US00D565877S

(12) **United States Design Patent**  
**Chen**

(10) **Patent No.:** **US D565,877 S**

(45) **Date of Patent:** **\*\* Apr. 8, 2008**

(54) **SOAP DISPENSER PUMP TIP**

(76) **Inventor:** **Jan Sun Chen**, 3F., No. 42,  
Sing-Zhong Rd., Nei-Hu, Taipei City,  
114 (TW)

(\*\*) **Term:** **14 Years**

(21) **Appl. No.:** **29/279,753**

(22) **Filed:** **May 7, 2007**

(51) **LOC (8) Cl.** ..... **23-02**

(52) **U.S. Cl.** ..... **D6/542**

(58) **Field of Classification Search** ..... D6/542-545;  
D15/7, 9.1, 9.2; D9/447-449, 453-454,  
D9/439-442; 222/186-187, 189, 180-181  
See application file for complete search history.

(56) **References Cited**

**U.S. PATENT DOCUMENTS**

D370,814 S *	6/1996	Daansen	.....	D6/545
D396,589 S *	8/1998	Daansen	.....	D6/542
D423,933 S *	5/2000	Fritz et al.	.....	D9/447
D427,470 S *	7/2000	Daansen	.....	D6/542
D434,586 S *	12/2000	De Winter et al.	.....	D6/542

\* cited by examiner

*Primary Examiner*—Brian N Vinson  
(74) *Attorney, Agent, or Firm*—Birch, Stewart, Kolasch &  
Birch, LLP

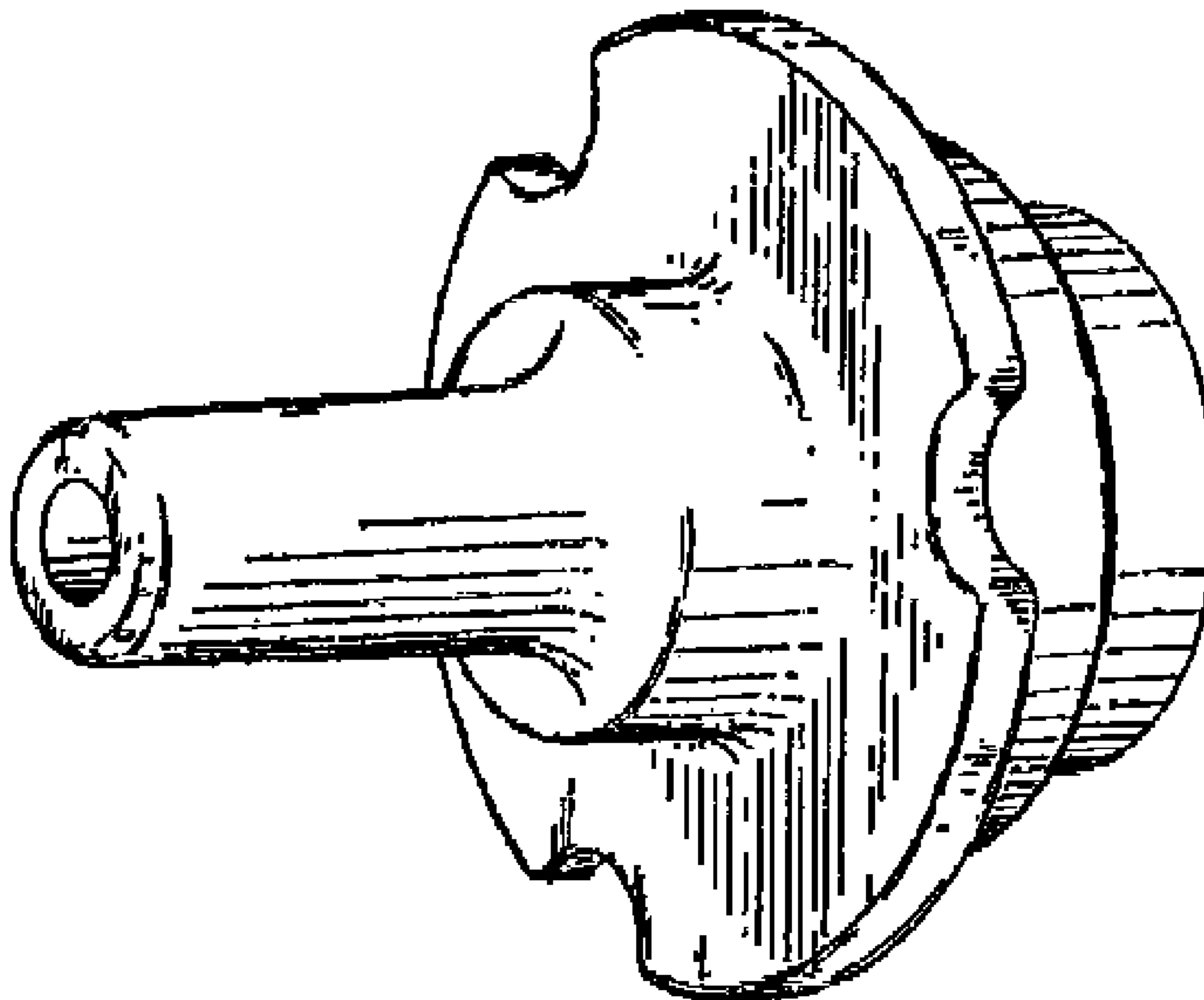
(57) **CLAIM**

The ornamental design for a soap dispenser pump tip, as shown and described.

**DESCRIPTION**

FIG. 1 is a front-side perspective view of the soap dispenser pump tip showing my new design;  
FIG. 2 is a rear-side perspective view thereof;  
FIG. 3 is a front side elevation thereof;  
FIG. 4 is a rear elevation thereof;  
FIG. 5 is a left side elevation thereof;  
FIG. 6 is a right side elevation thereof;  
FIG. 7 is a bottom side elevation thereof; and,  
FIG. 8 is a top side elevation thereof, the broken line depiction of a pump hose being for illustrative purposes only and forming no part of the claimed design.

**1 Claim, 4 Drawing Sheets**



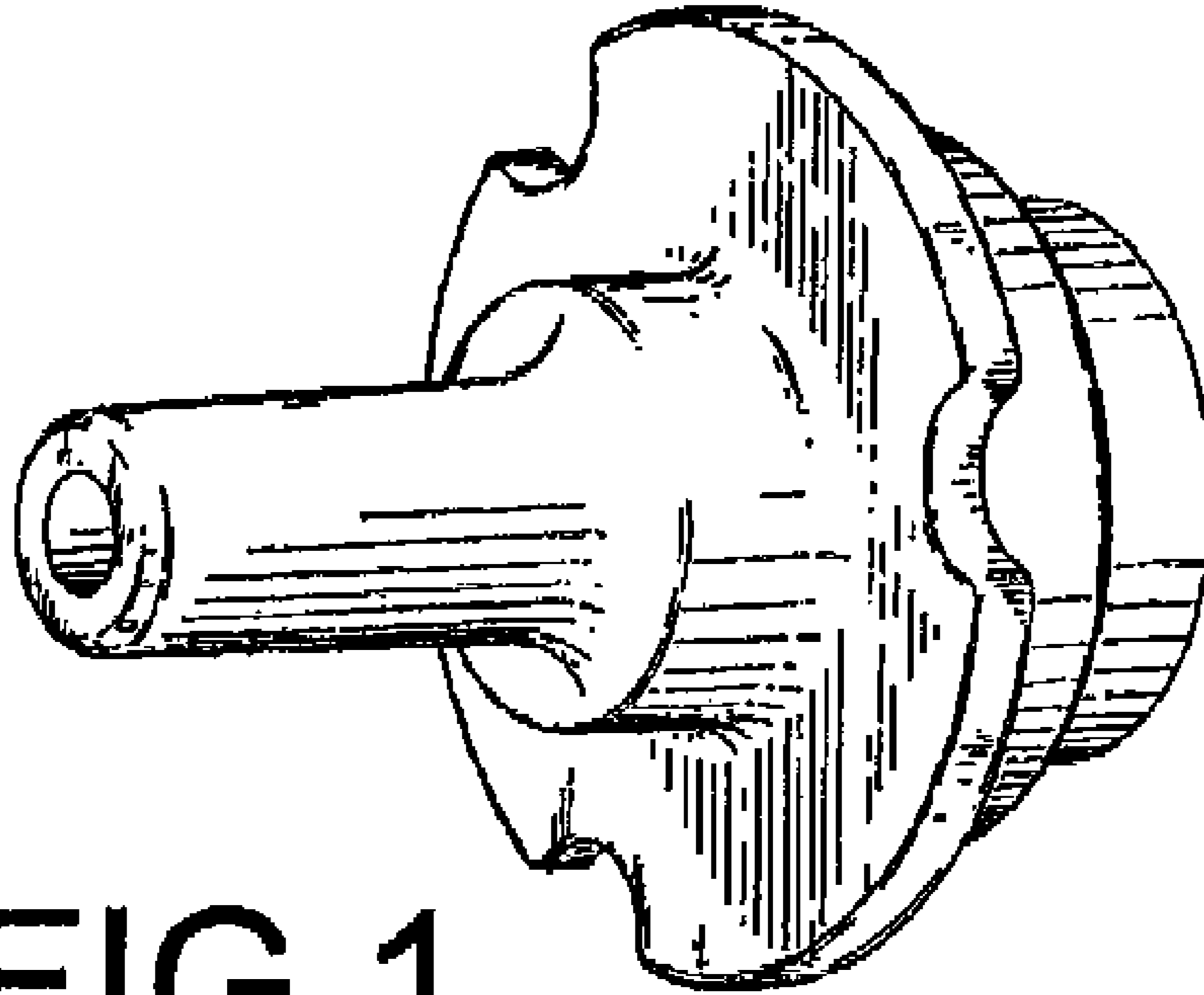


FIG. 1

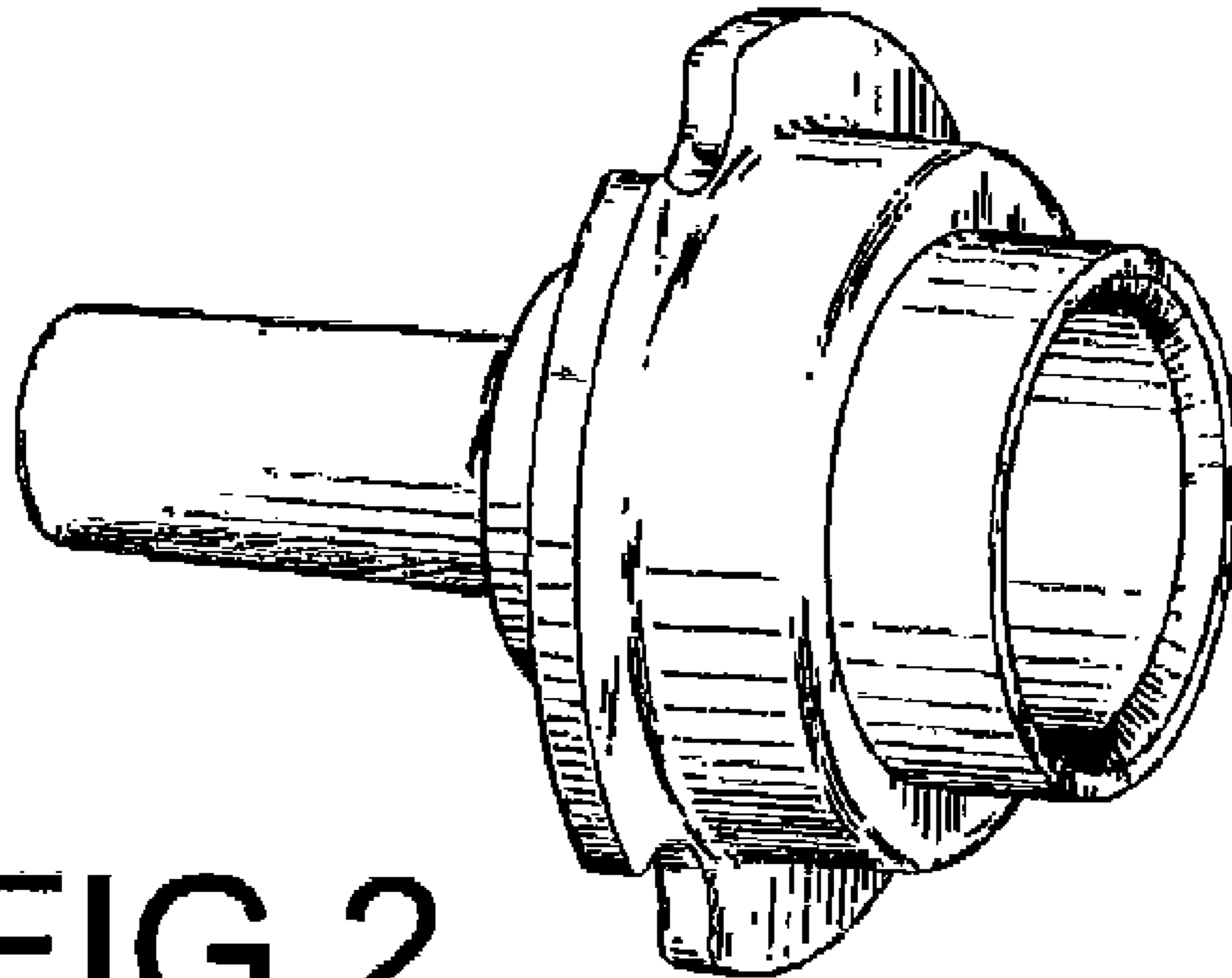
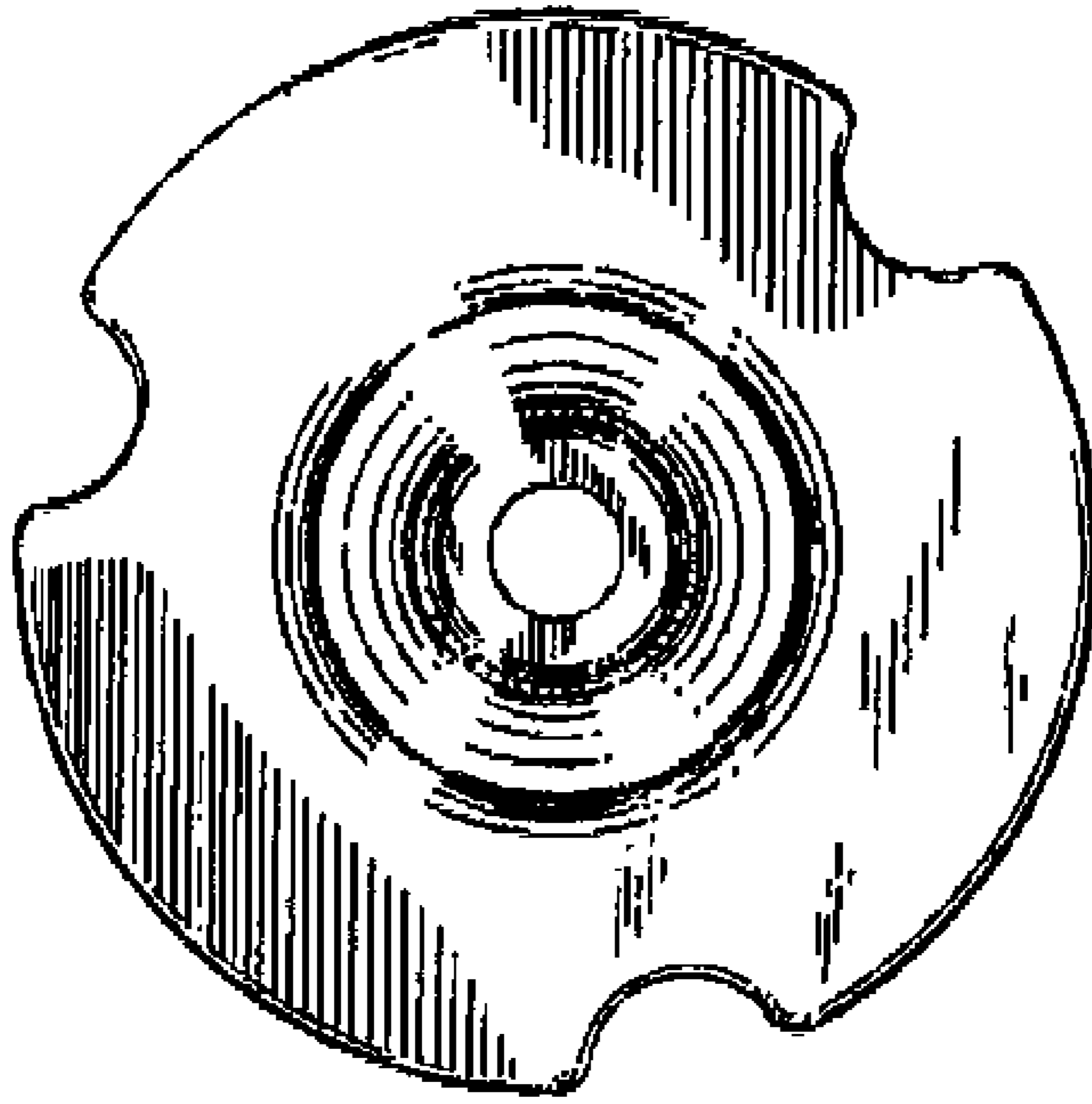
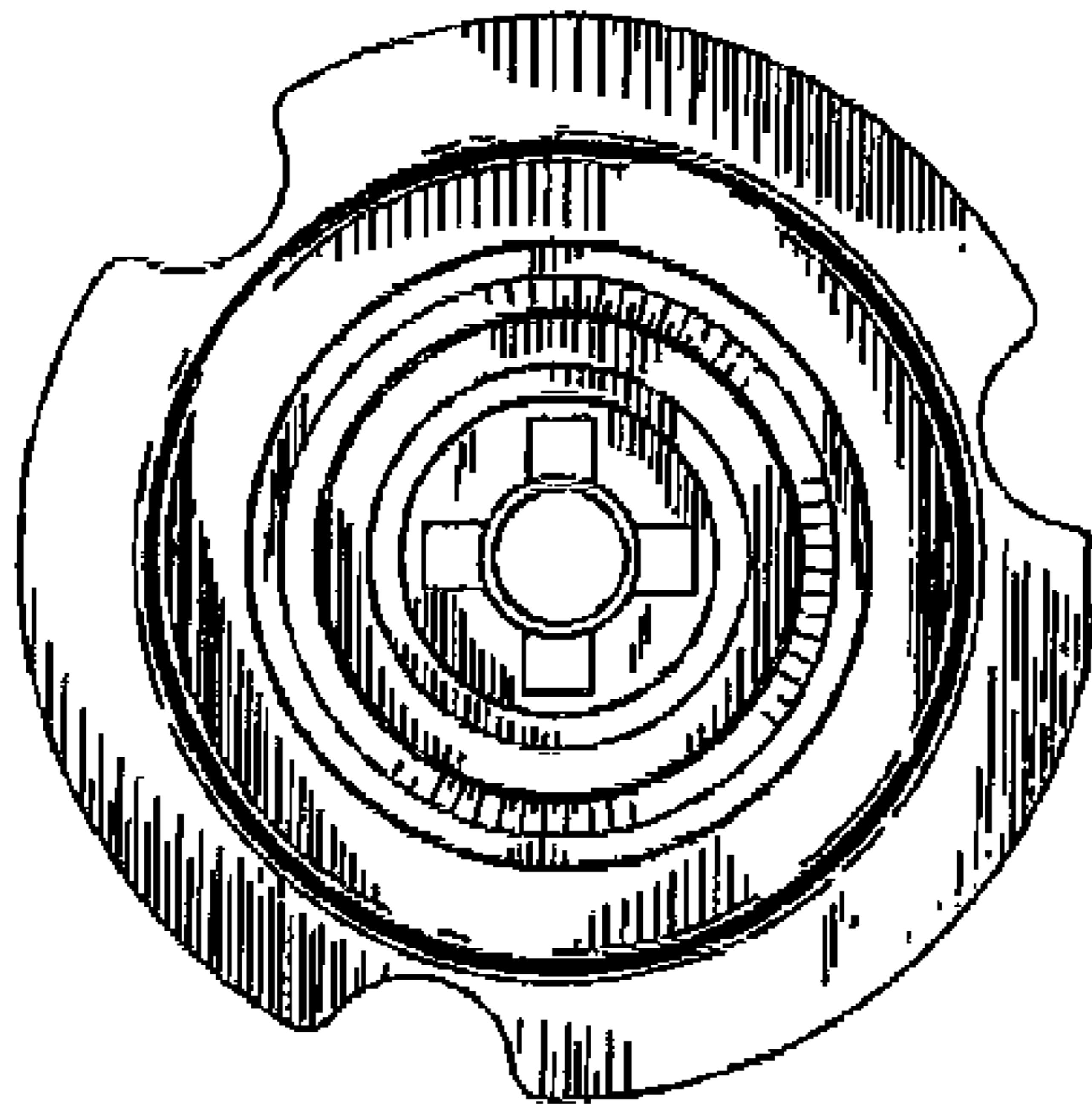


FIG. 2



**FIG. 3**



**FIG. 4**

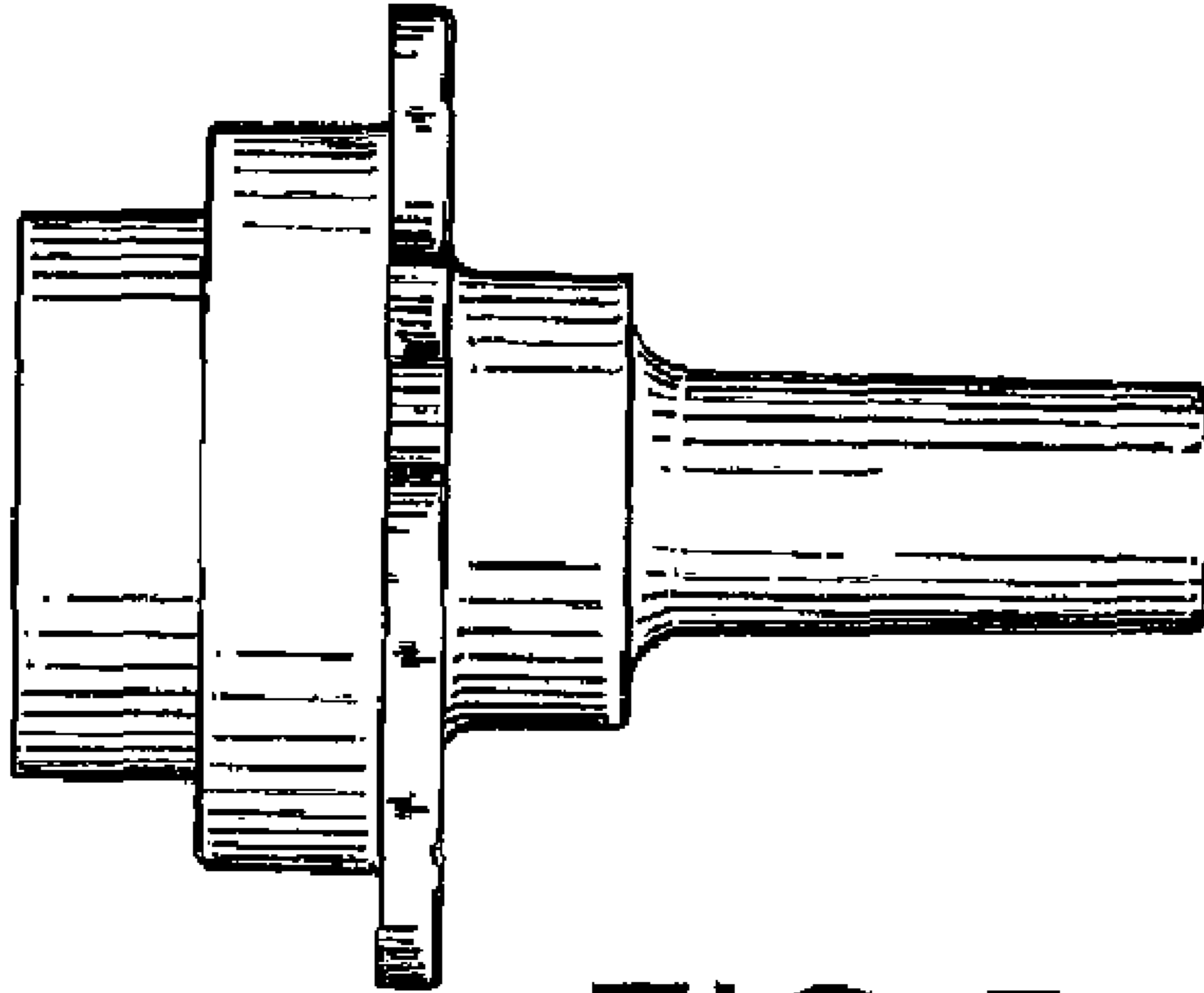


FIG. 5

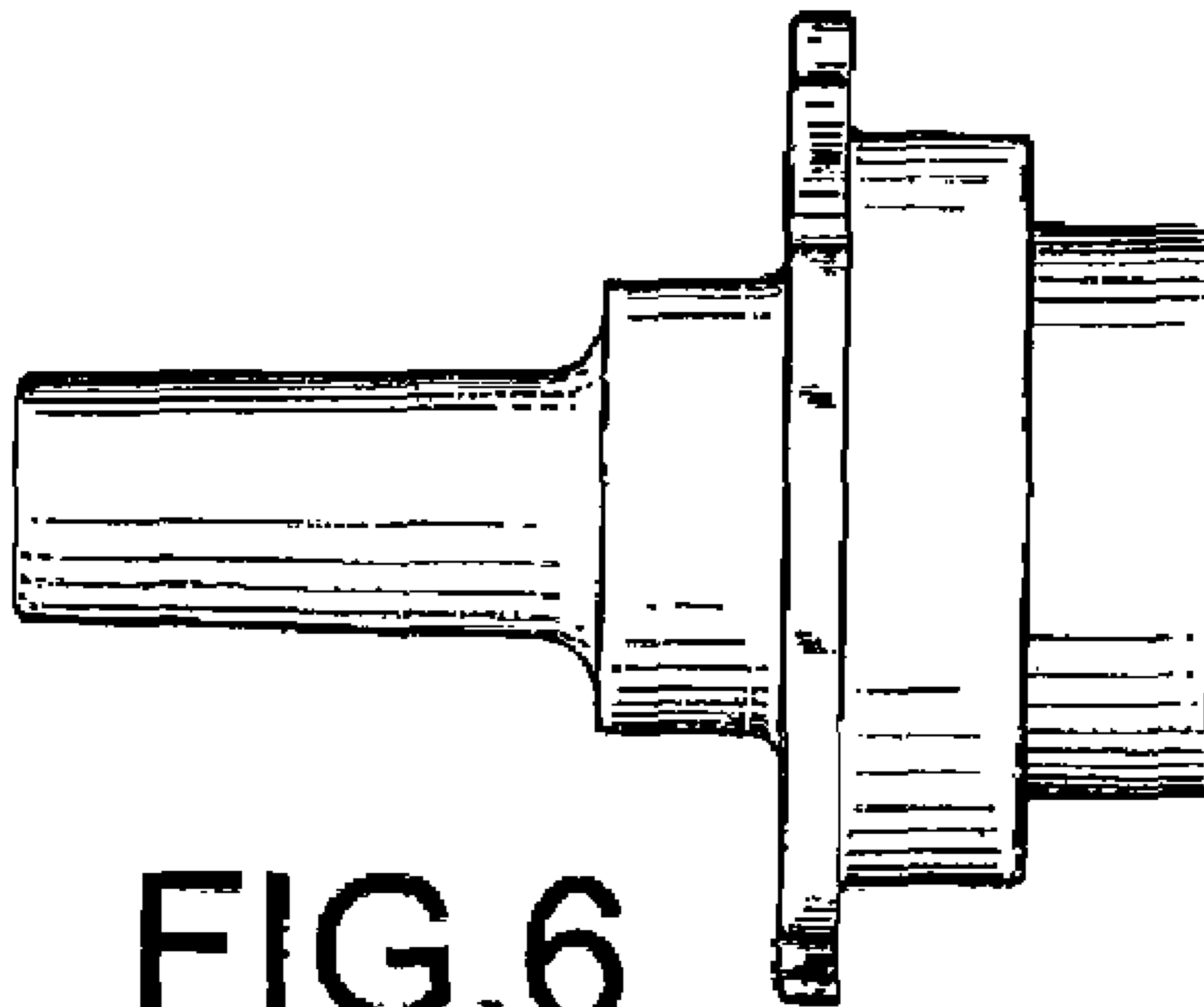


FIG. 6

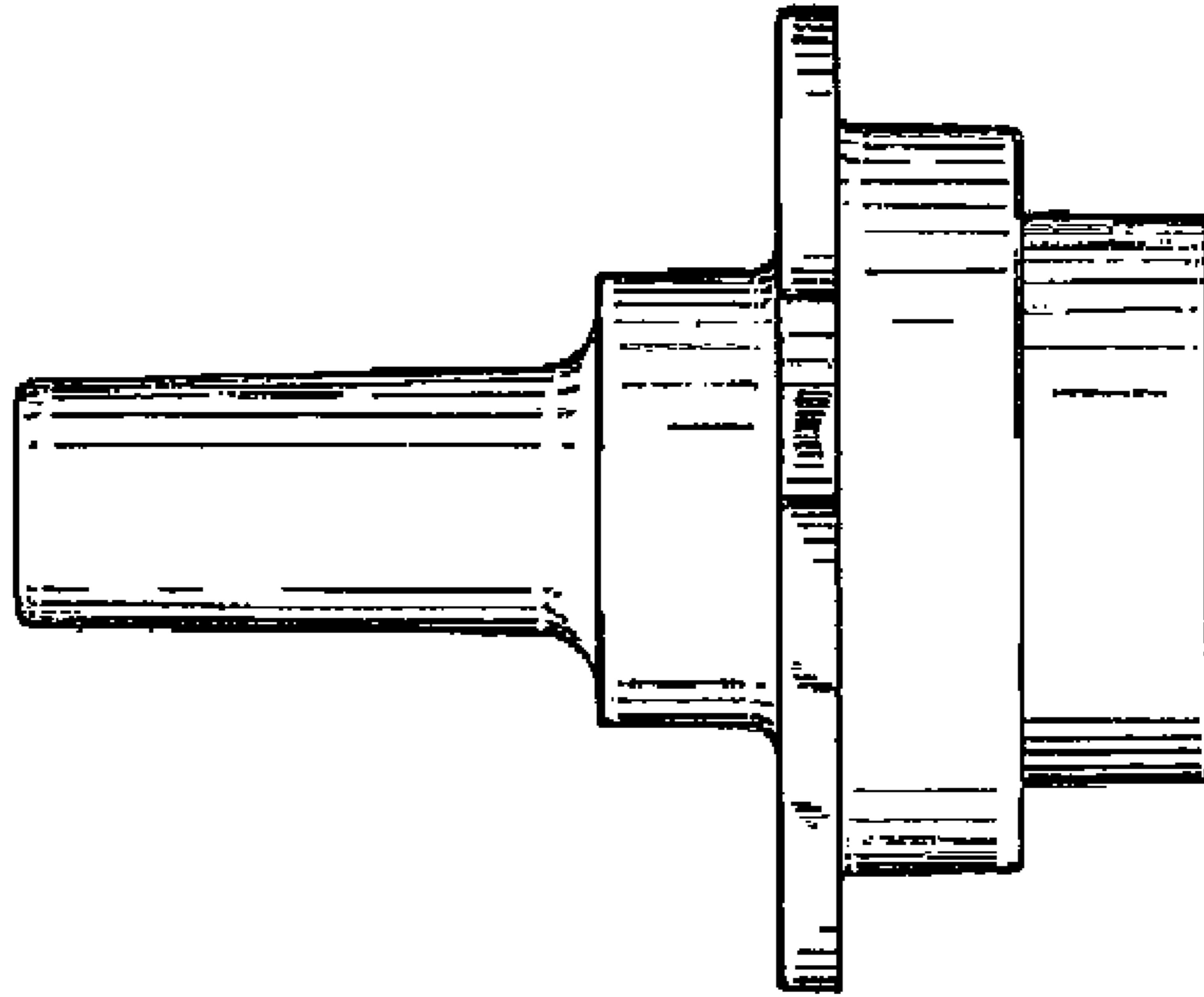


FIG. 7

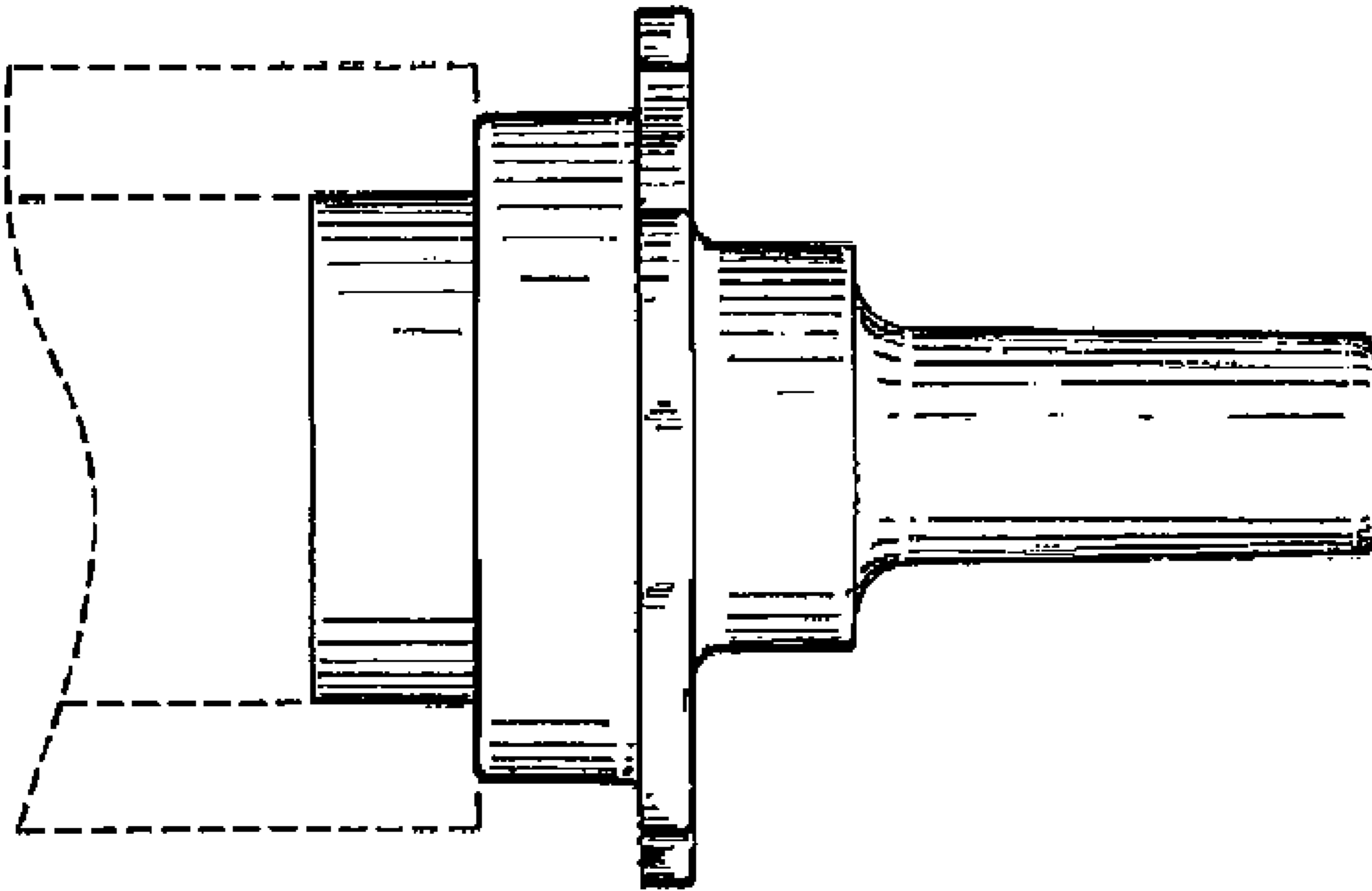


FIG. 8