



US00D565876S

(12) **United States Design Patent**
Potente

(10) **Patent No.:** **US D565,876 S**
(45) **Date of Patent:** **** Apr. 8, 2008**

(54) **DINING TABLE**

(76) Inventor: **Lorenza Potente**, Via Gustavo Modena,
3, Milan (IT) 20129

(**) Term: **14 Years**

(21) Appl. No.: **29/249,241**

(22) Filed: **Sep. 28, 2006**

(30) **Foreign Application Priority Data**

Mar. 31, 2006 (IT) MI2006O000058

Apr. 27, 2006 (EM) 000526645-0001

(51) **LOC (8) Cl.** **06-06**

(52) **U.S. Cl.** **D6/511; D6/482**

(58) **Field of Classification Search** D6/480-489,
D6/511, 429, 428, 422, 425, 406.3; 108/150,
108/152, 153.1, 156, 161, 157.1, 50.01, 50.02;
312/238

See application file for complete search history.

(56) **References Cited**

U.S. PATENT DOCUMENTS

D148,058 S *	12/1947	Fletcher	D6/428
D221,672 S *	8/1971	Kalilich	D21/799.2
D235,823 S *	7/1975	Hodge	D6/483
D339,487 S *	9/1993	Rizzi	D6/486
D401,086 S *	11/1998	Hellwig et al.	D6/482
D488,658 S *	4/2004	Ford et al.	D6/552
D534,386 S *	1/2007	Warriner	D6/511
D548,471 S *	8/2007	Ford et al.	D6/337

* cited by examiner

Primary Examiner—Janice E. Seeger

(74) *Attorney, Agent, or Firm*—Vern Maine & Associates

(57) **CLAIM**

The ornamental design for a dining table, as shown and described.

DESCRIPTION

FIG. 1 is a perspective view of a dining table, showing my new design;

FIG. 2 is a top plan view, showing an alternate environment;

FIG. 3 is a bottom plan view, showing the environment in FIG. 1;

FIG. 4 is a top plan view thereof;

FIG. 5 is a front elevational view thereof;

FIG. 6 is a rear elevational view thereof;

FIG. 7 is a right side elevational view thereof;

FIG. 8 is a left side elevational view thereof;

FIG. 9 is a perspective view showing a second embodiment of my new design;

FIG. 10 is a top plan view, showing an alternate environment;

FIG. 11 is a bottom plan view, showing the environment in FIG. 9;

FIG. 12 is a top plan view thereof;

FIG. 13 is a front elevational view thereof;

FIG. 14 is a rear elevational view thereof;

FIG. 15 is a right side elevational view thereof;

FIG. 16 is a left side elevational view thereof;

FIG. 17 is a perspective showing a third embodiment of my new design;

FIG. 18 is a top plan view, showing an alternate environment;

FIG. 19 is a bottom plan view, showing the environment in FIG. 17;

FIG. 20 is a top plan view thereof;

FIG. 21 is a front elevational view thereof;

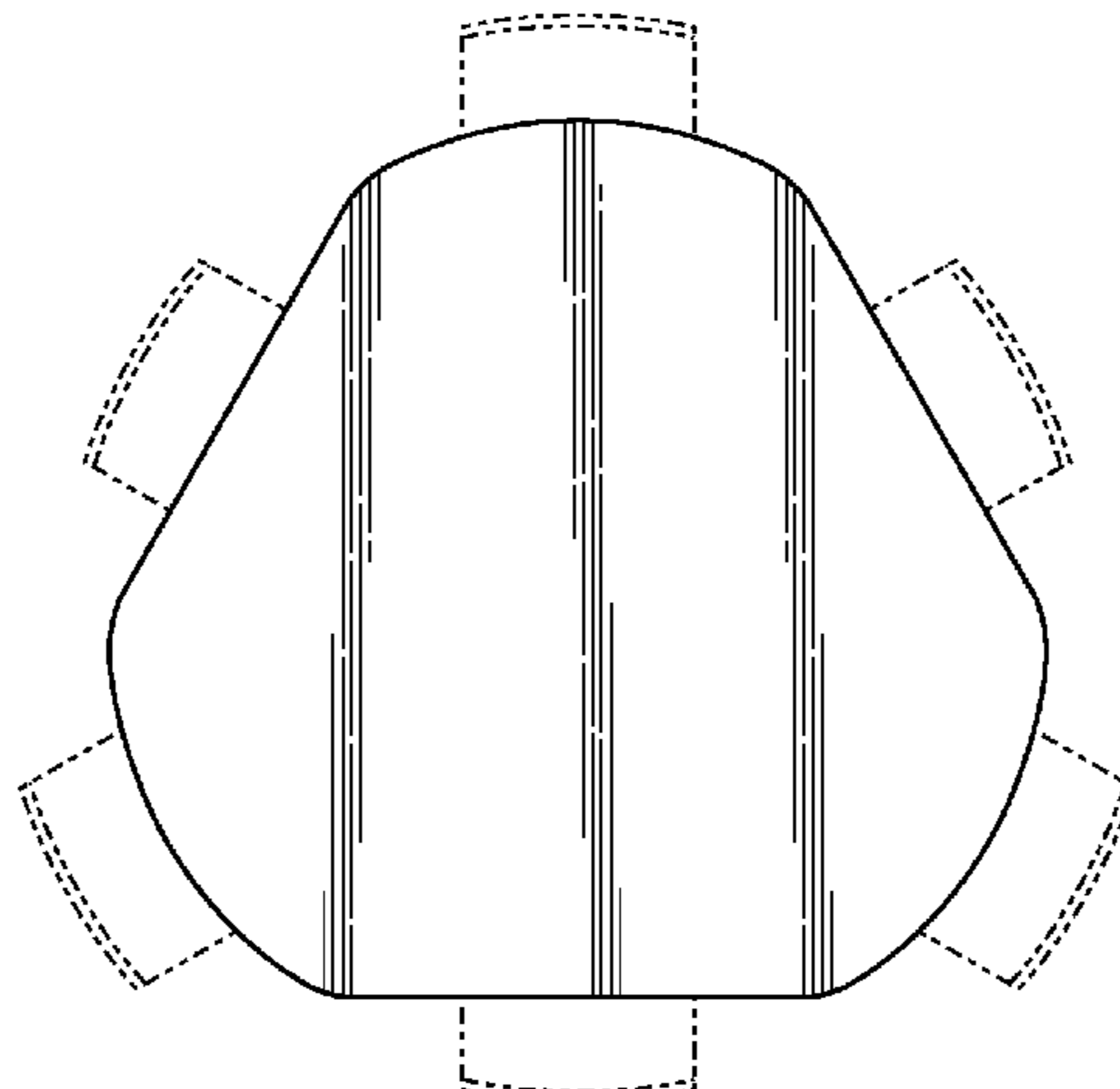
FIG. 22 is a rear elevational view thereof;

FIG. 23 is a right side elevational view thereof; and,

FIG. 24 is a left side elevational view thereof.

The broken lines are for environmental purposes only and form no part of the claimed design.

1 Claim, 24 Drawing Sheets



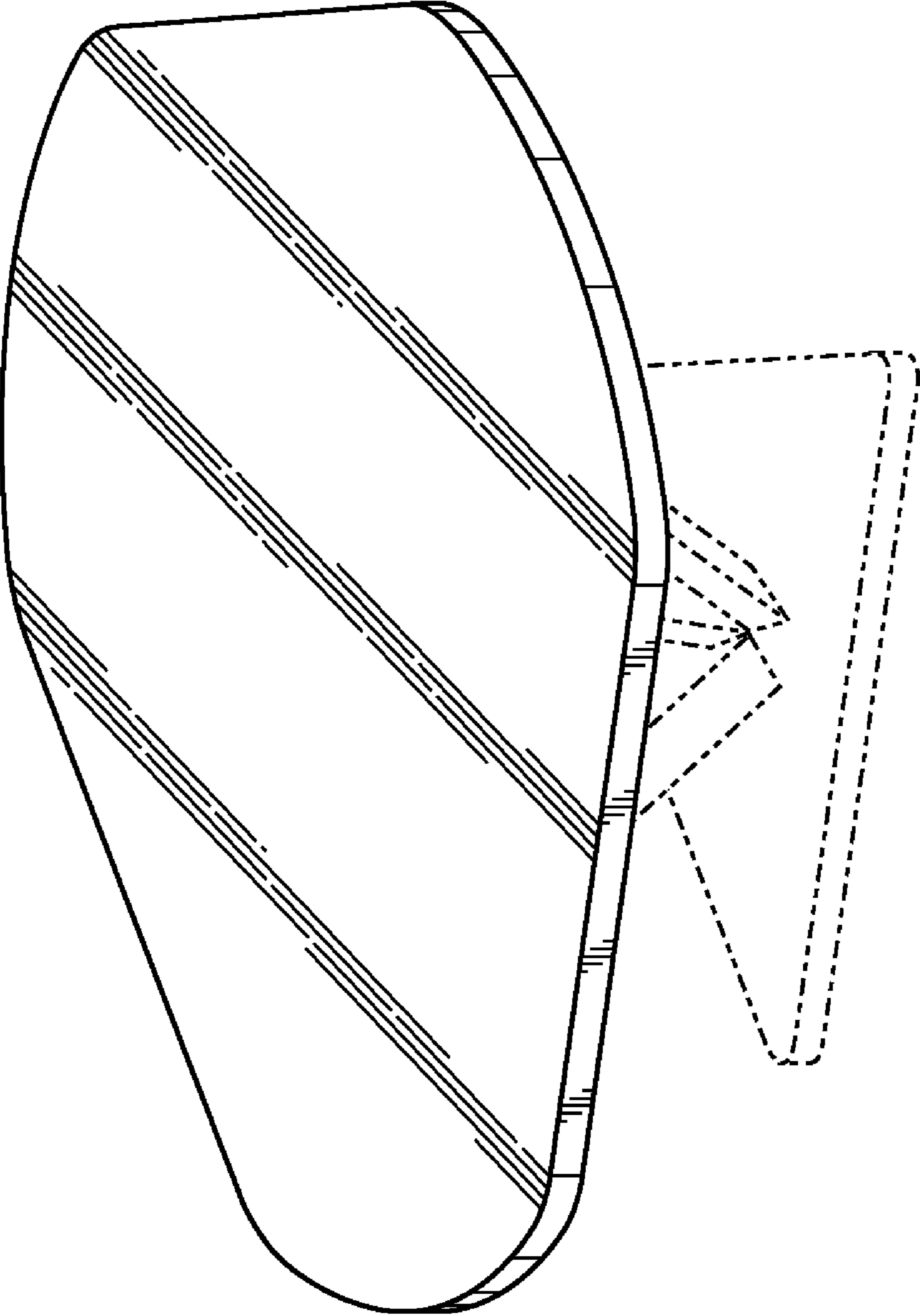


FIG. 1

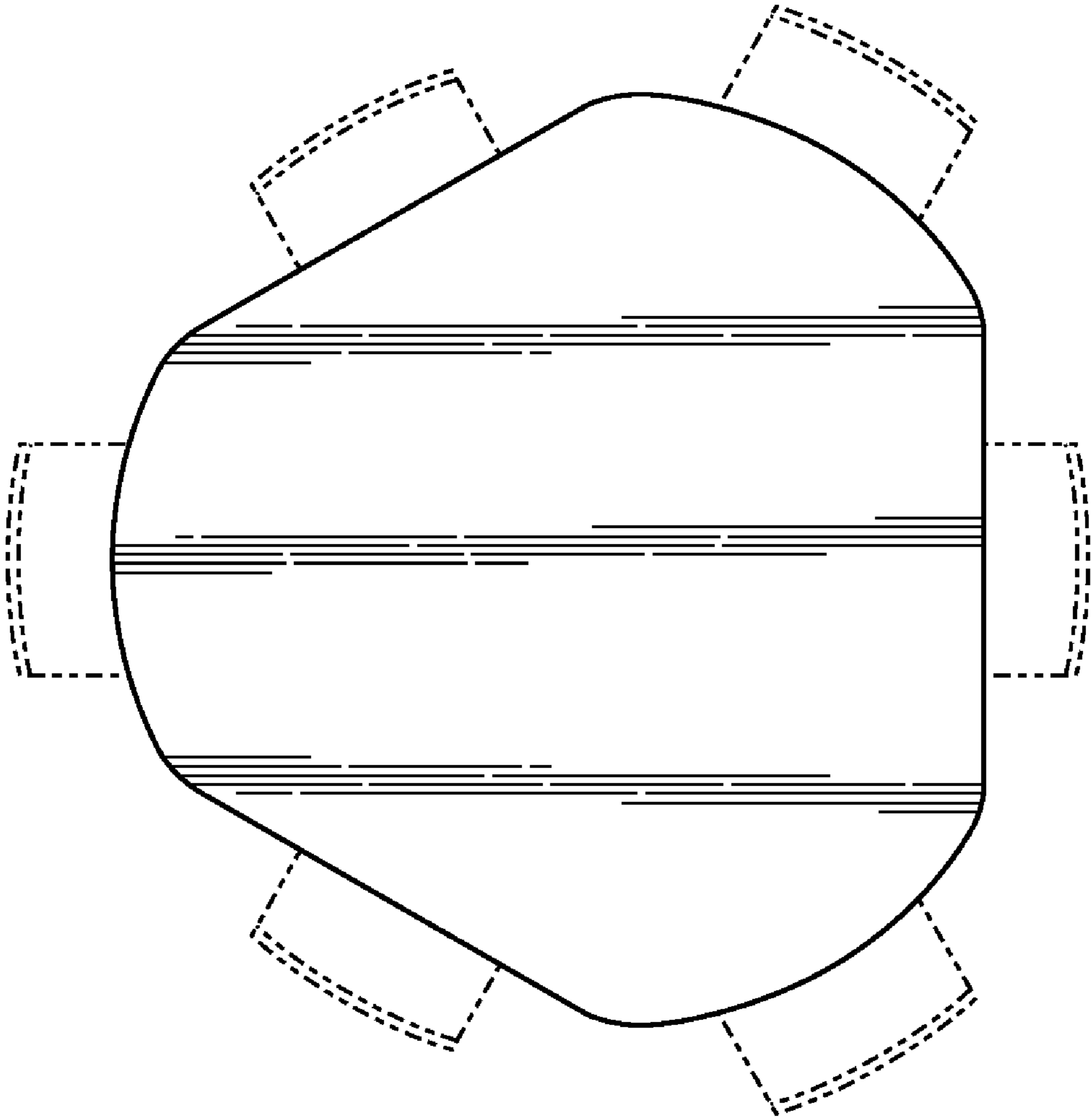


FIG. 2

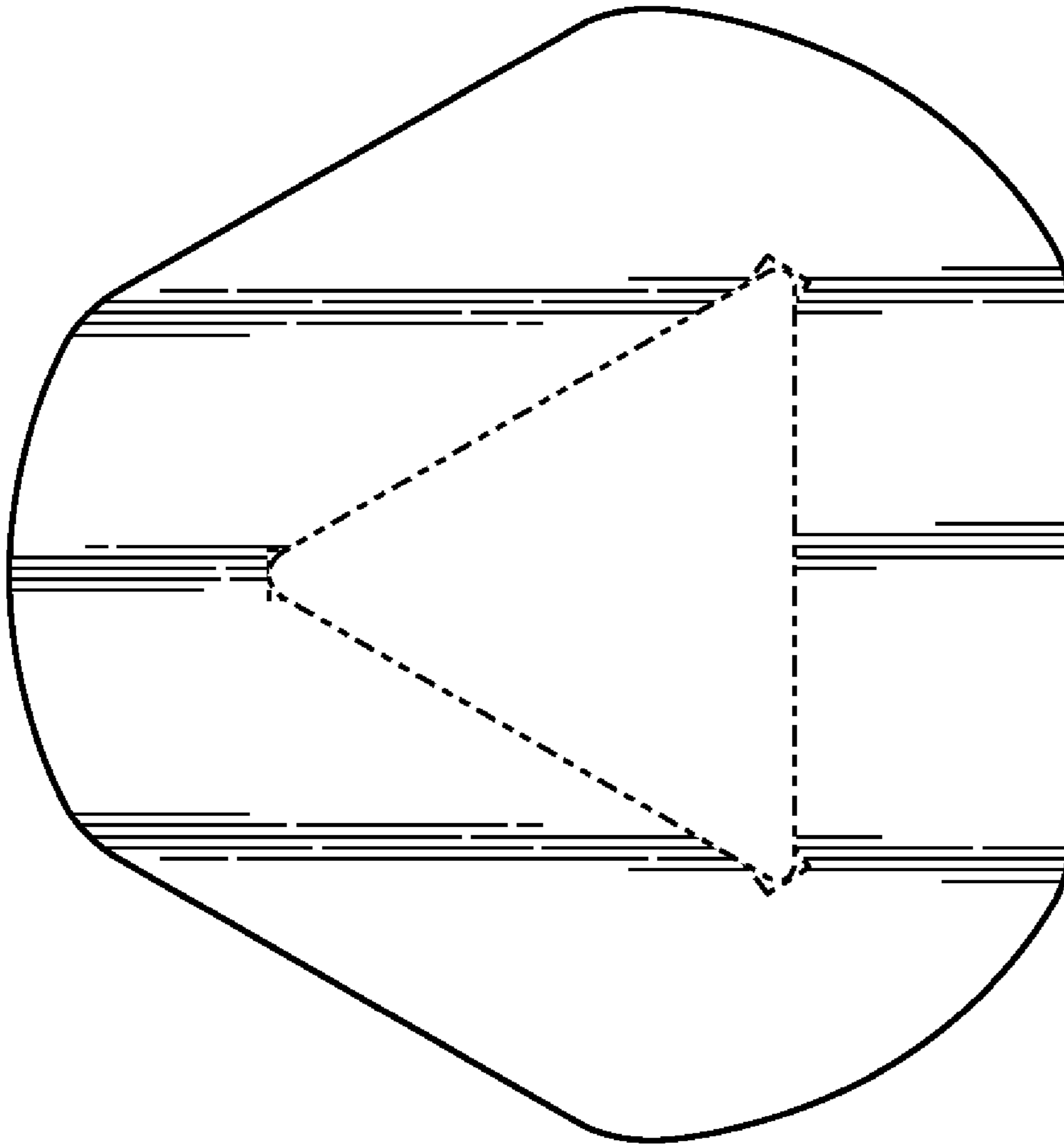


FIG. 3

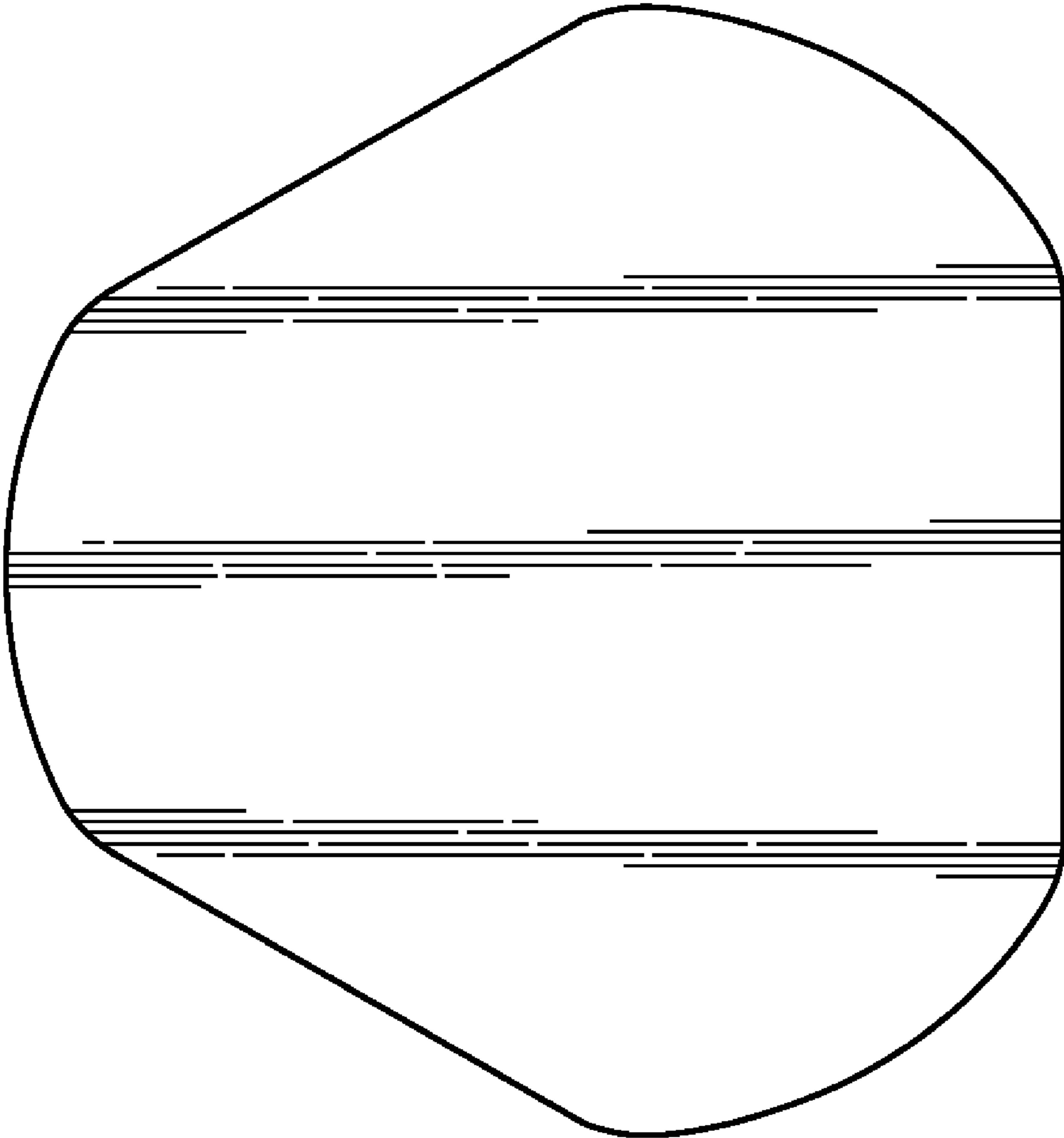


FIG. 4

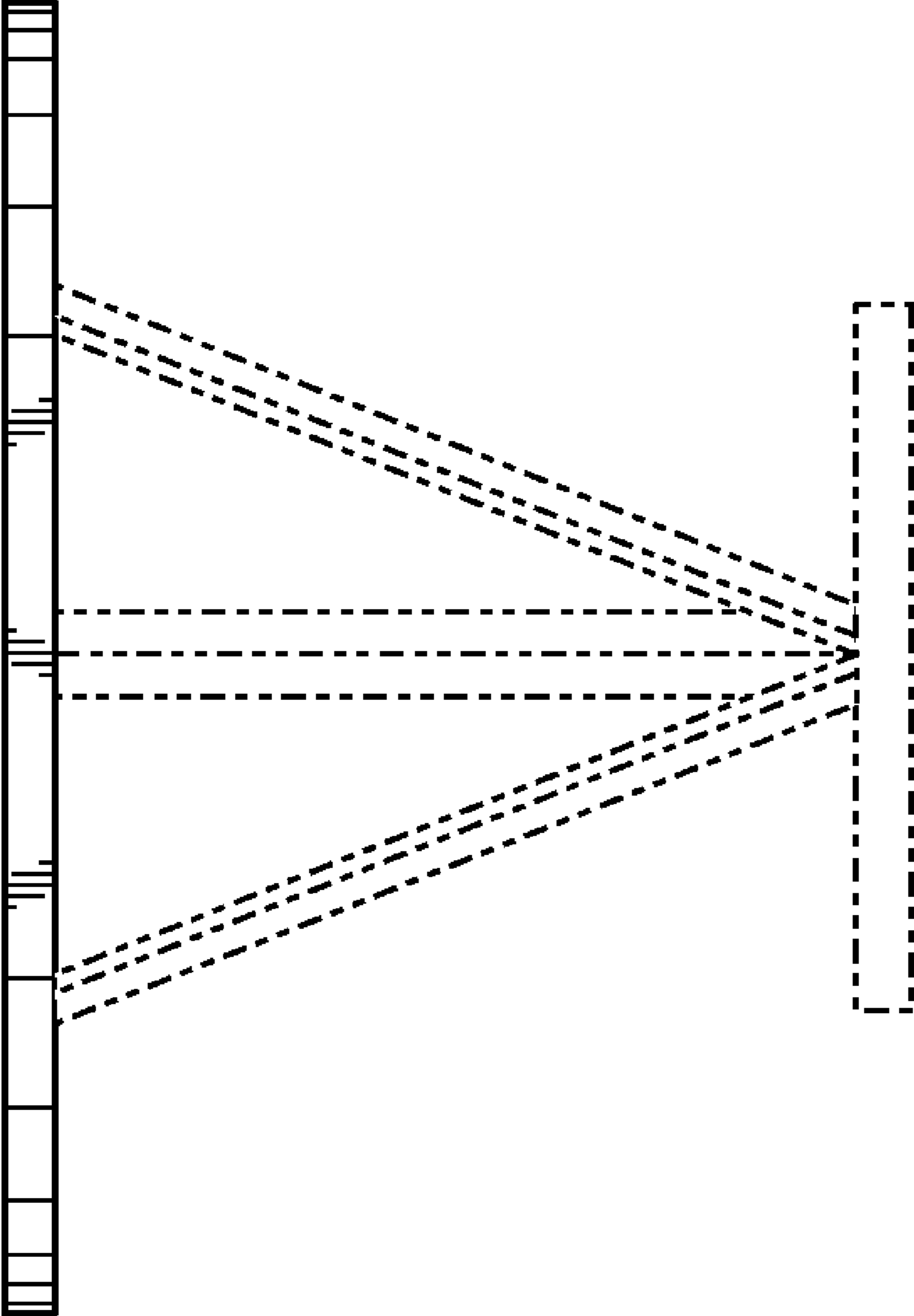


FIG. 5

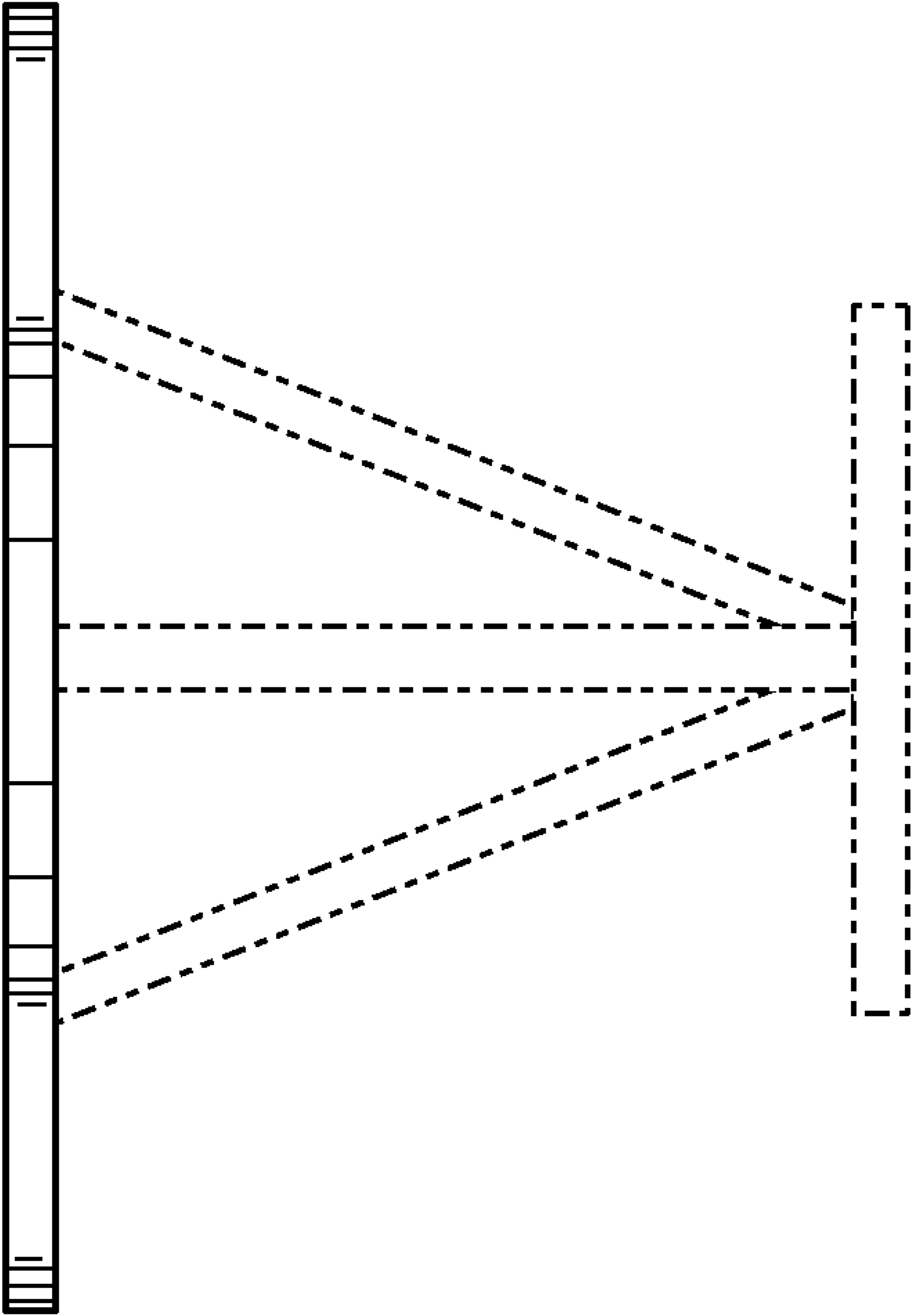


FIG. 6

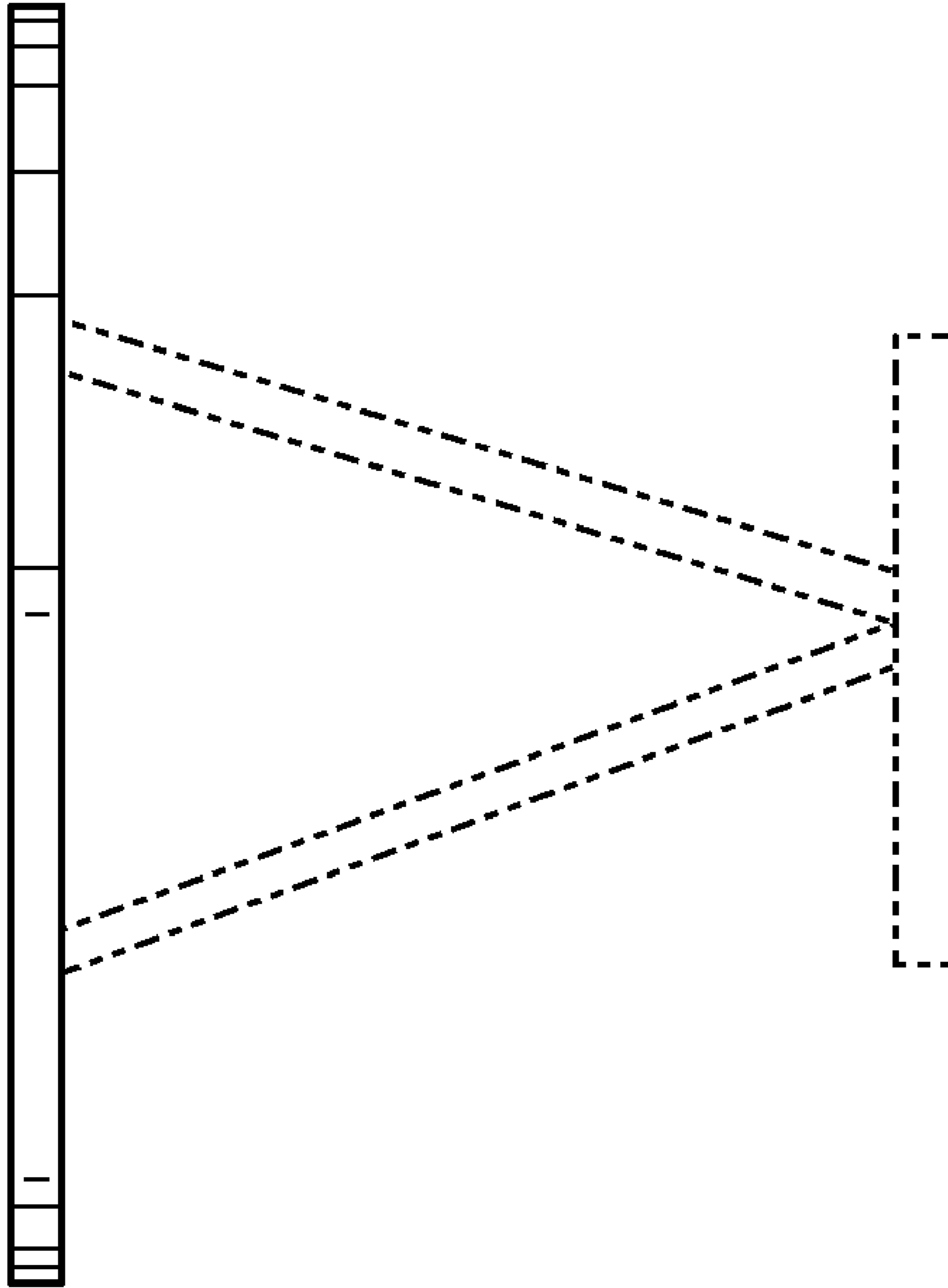


FIG. 7

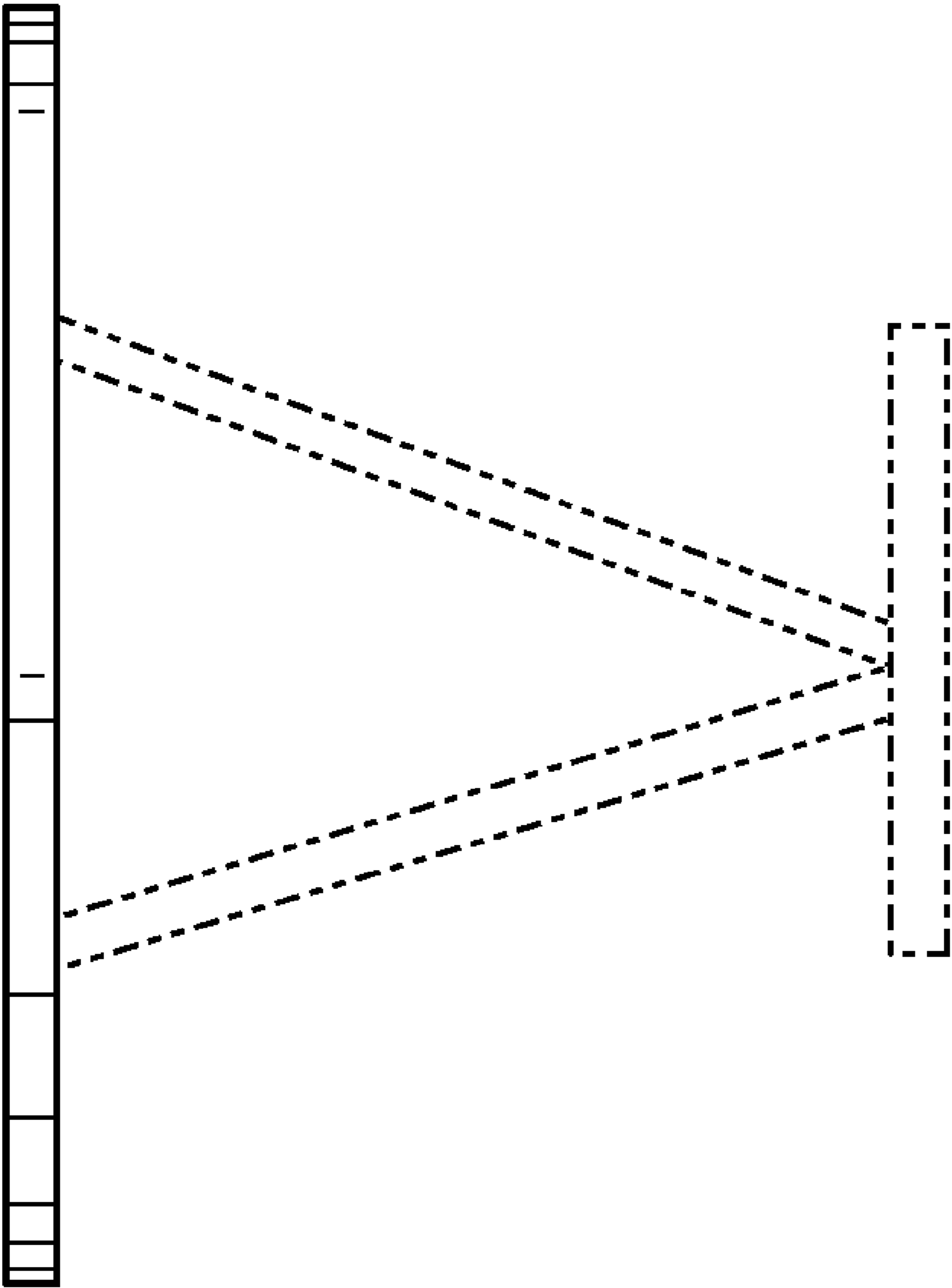


FIG. 8

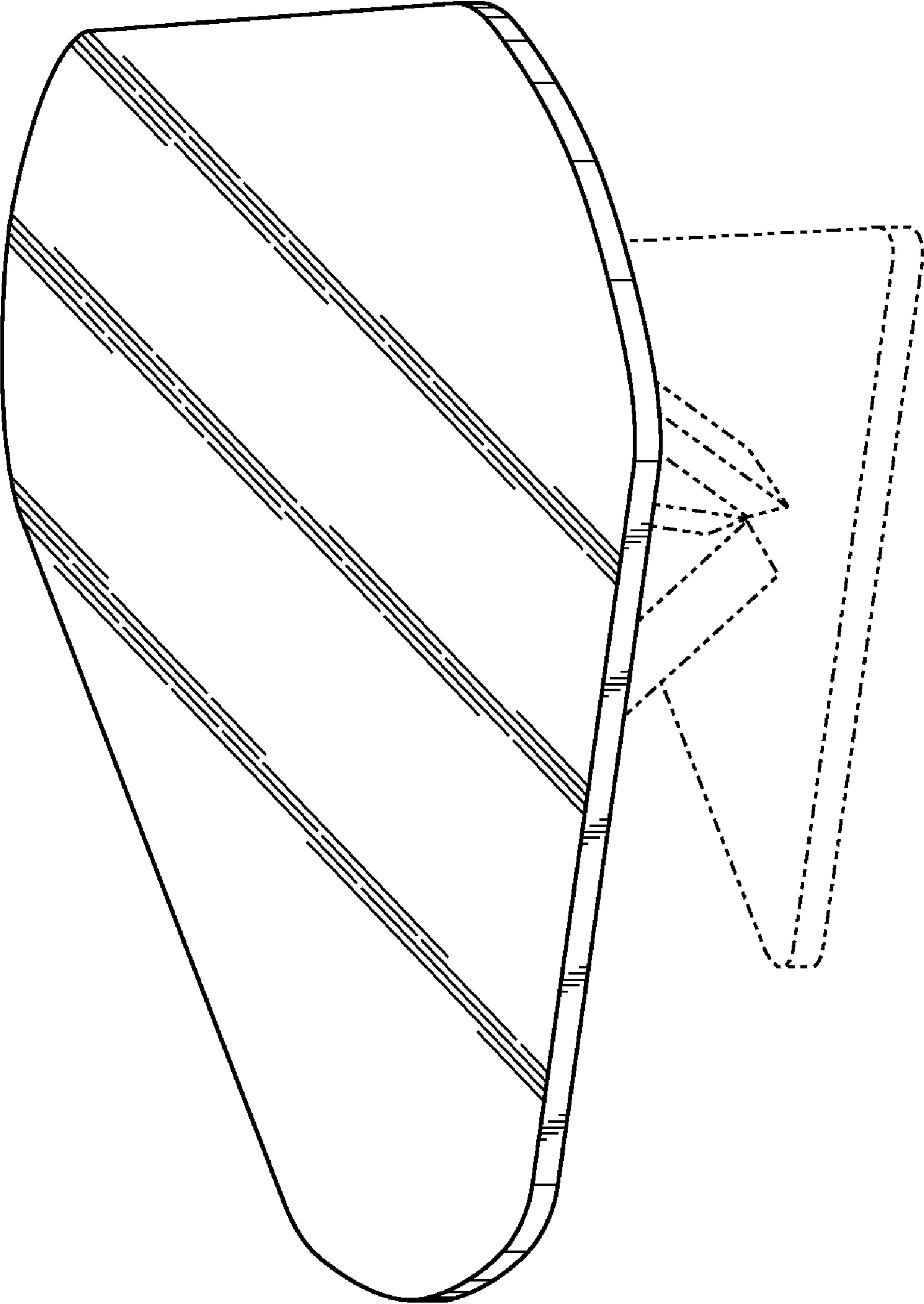


FIG. 9

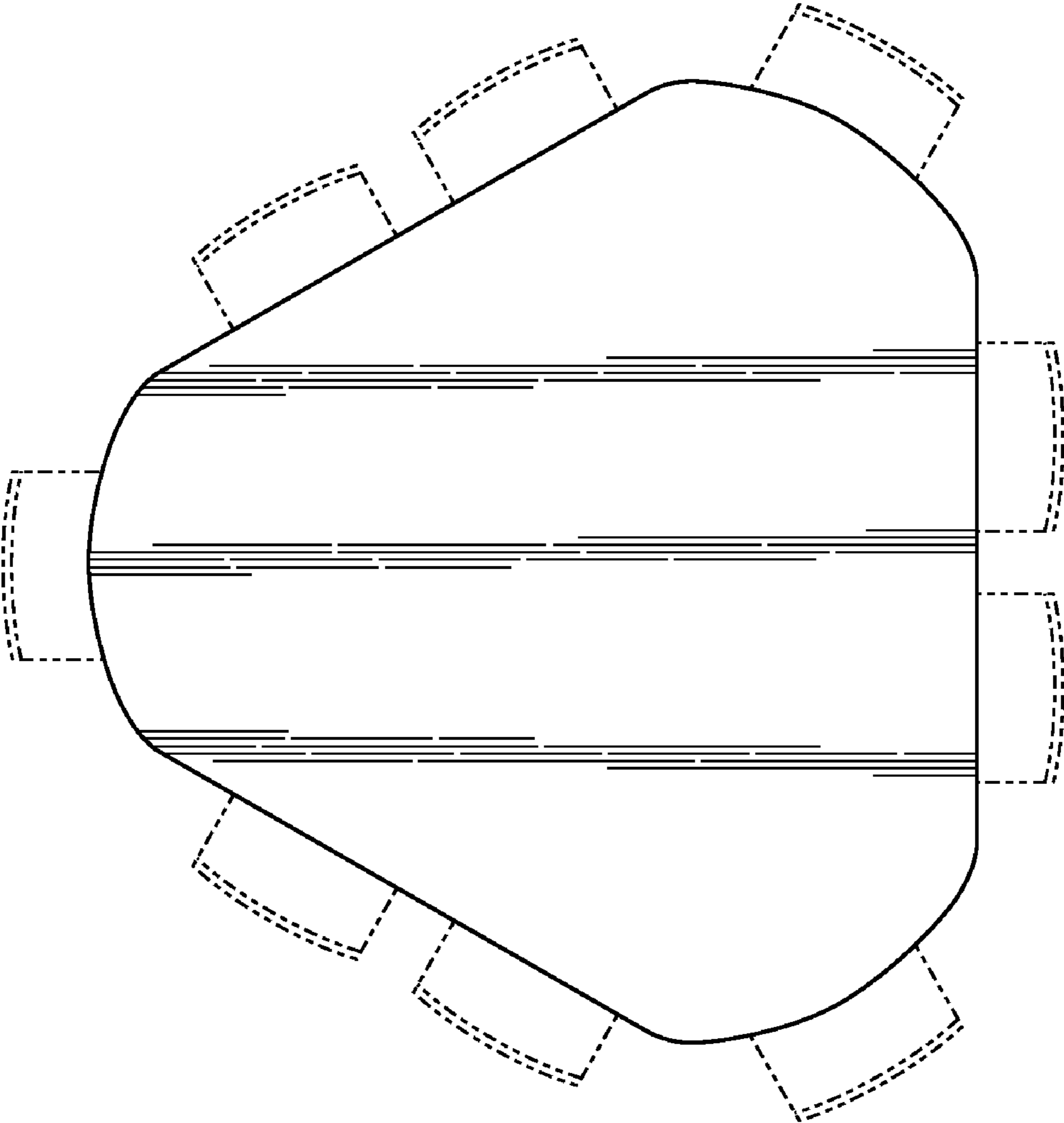


FIG. 10

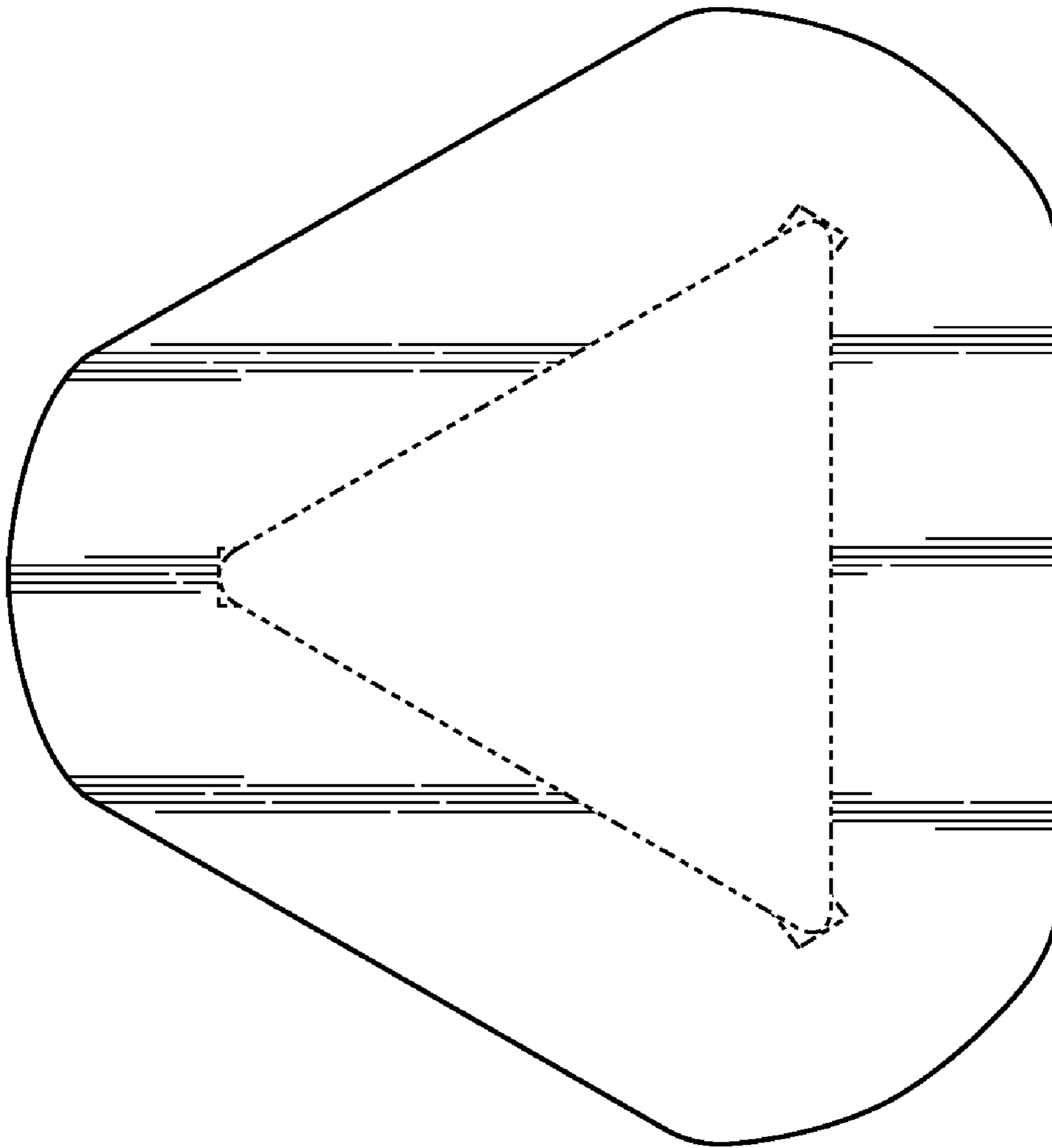


FIG. 11

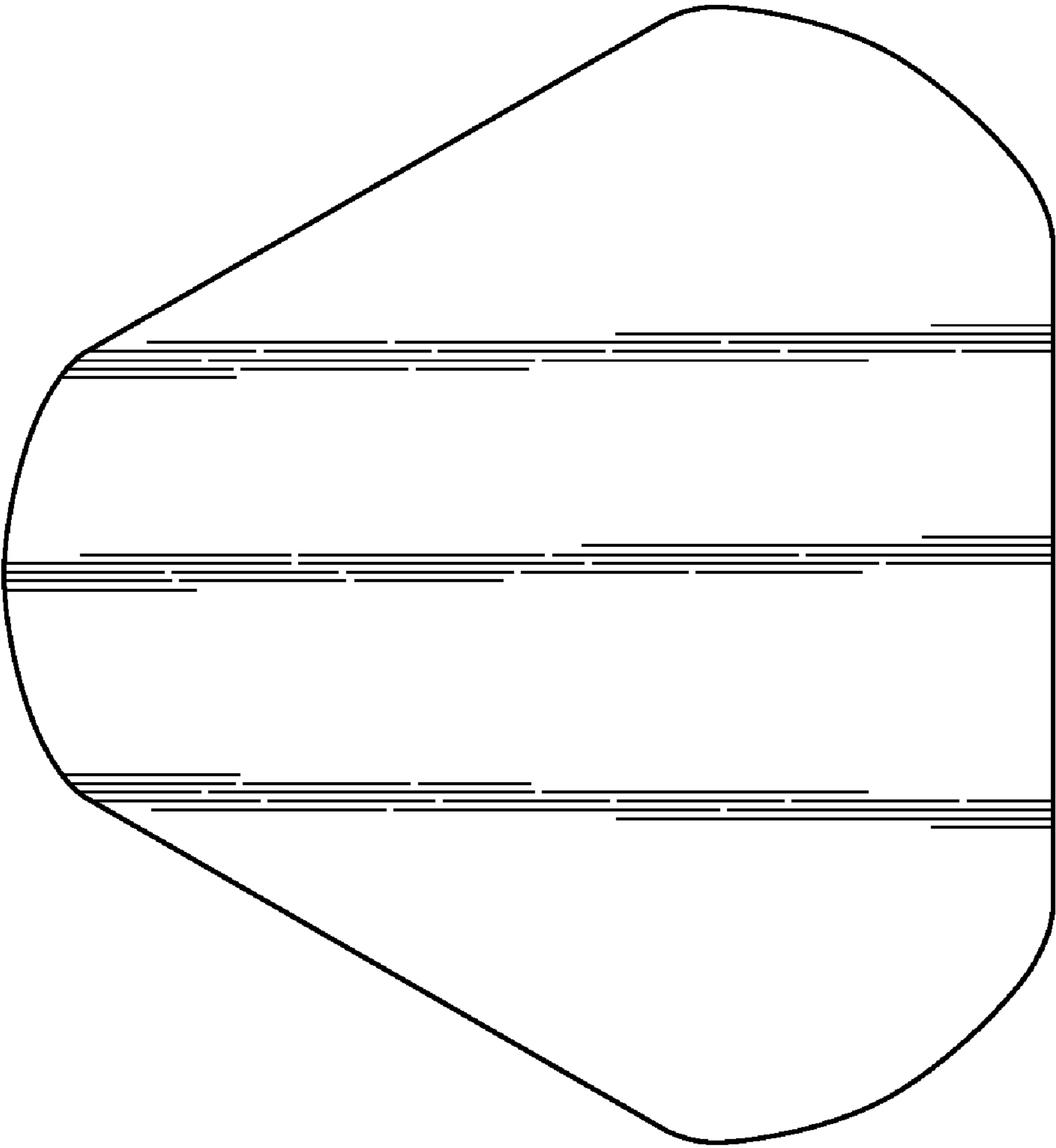


FIG. 12

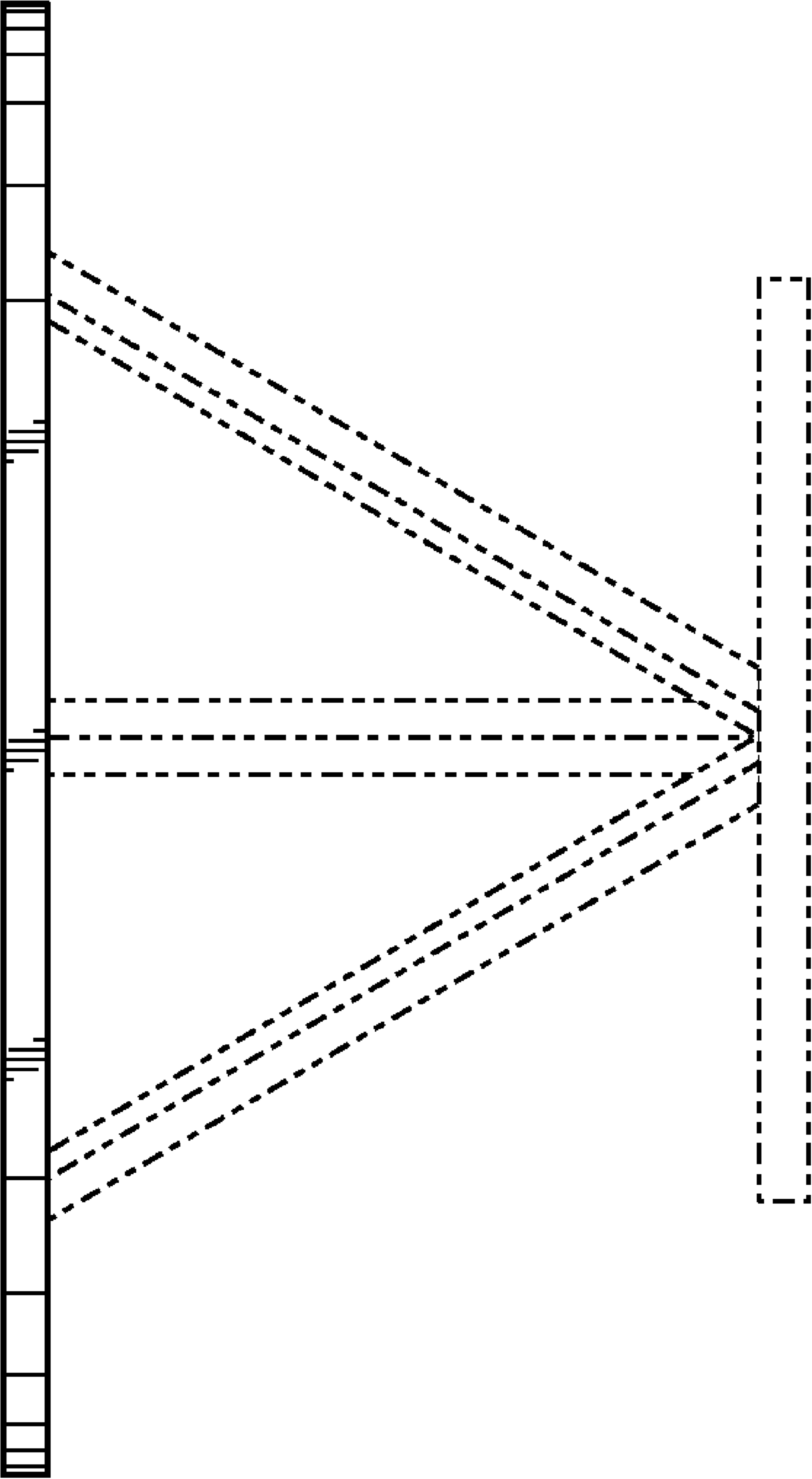


FIG. 13

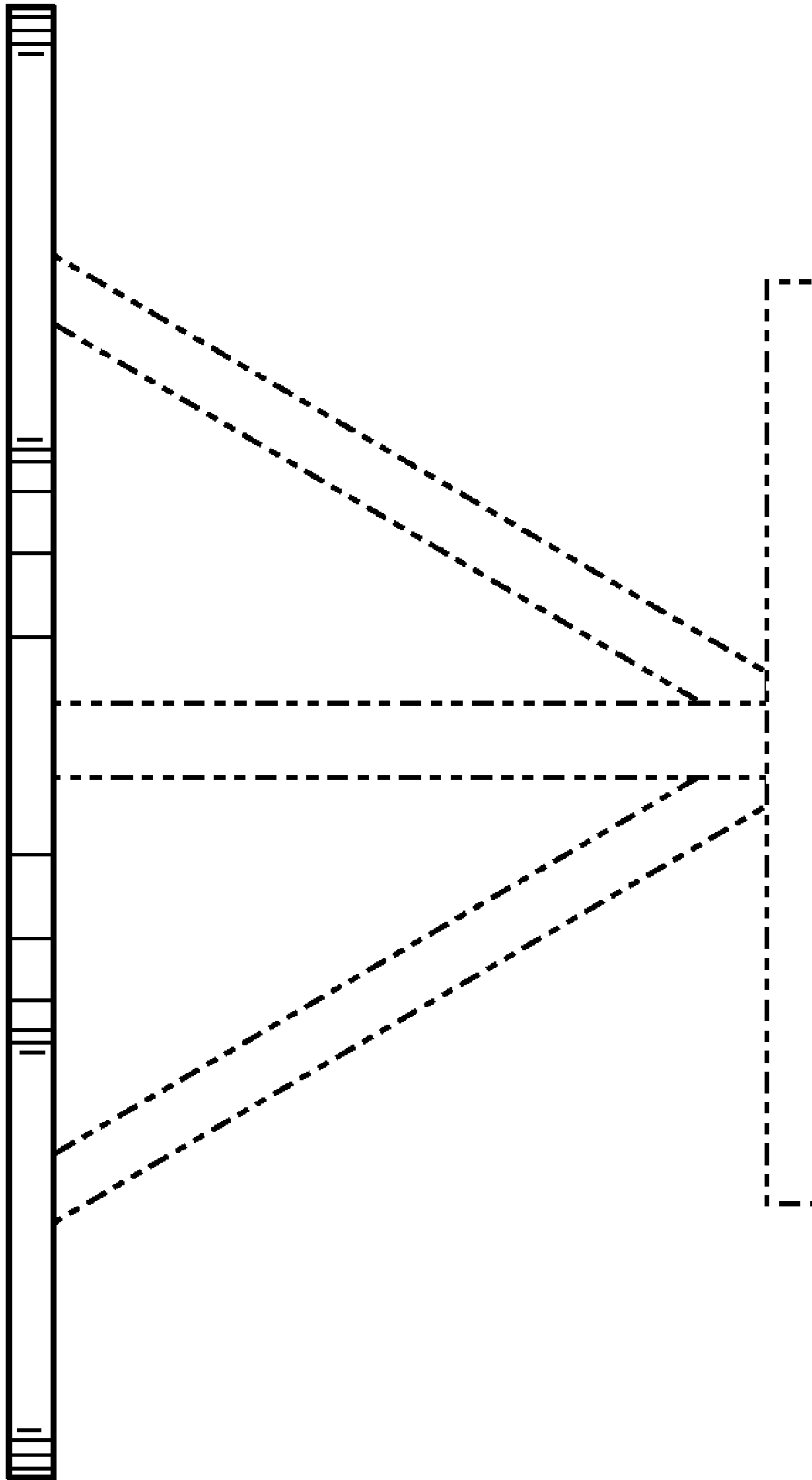


FIG. 14

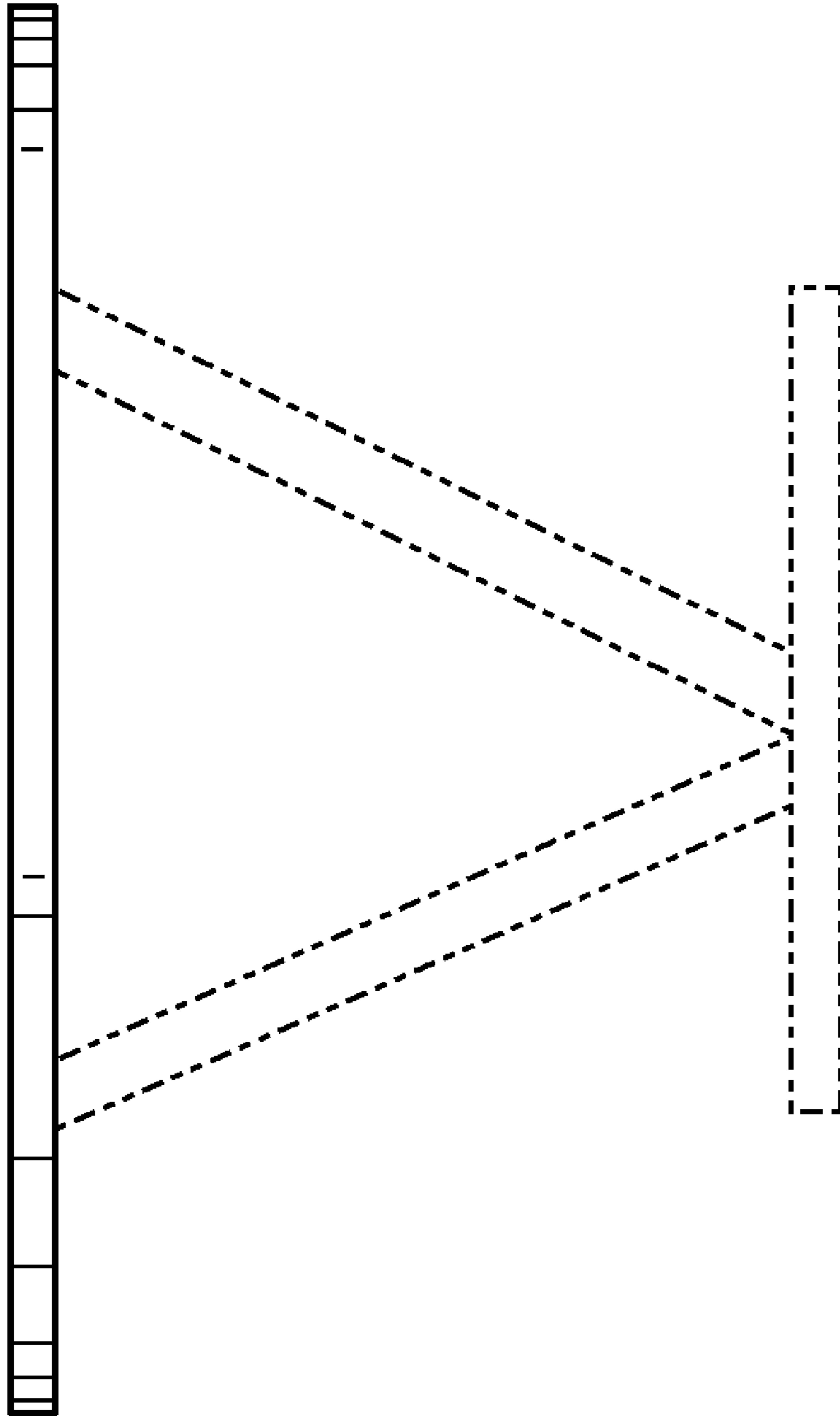


FIG. 15

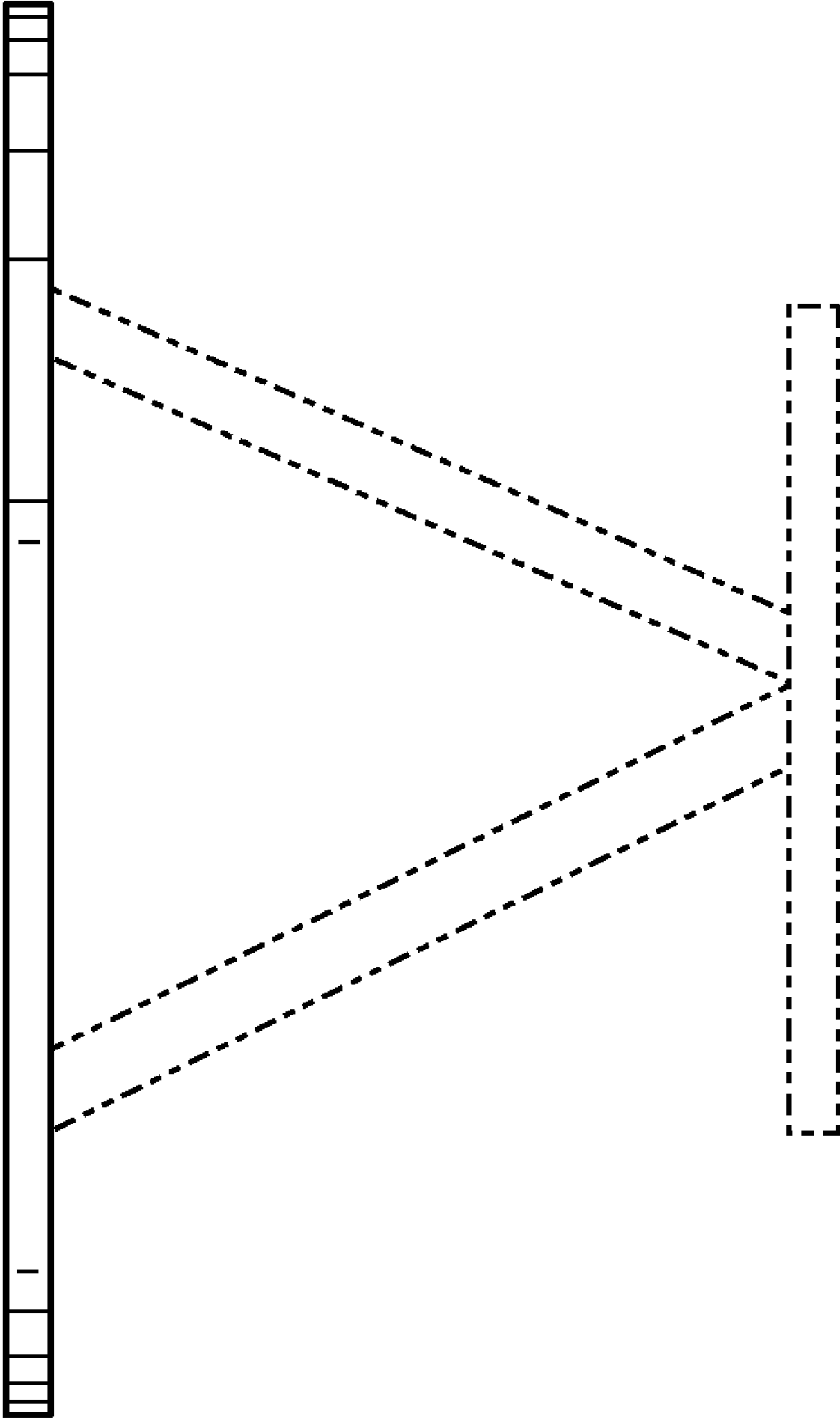


FIG. 16

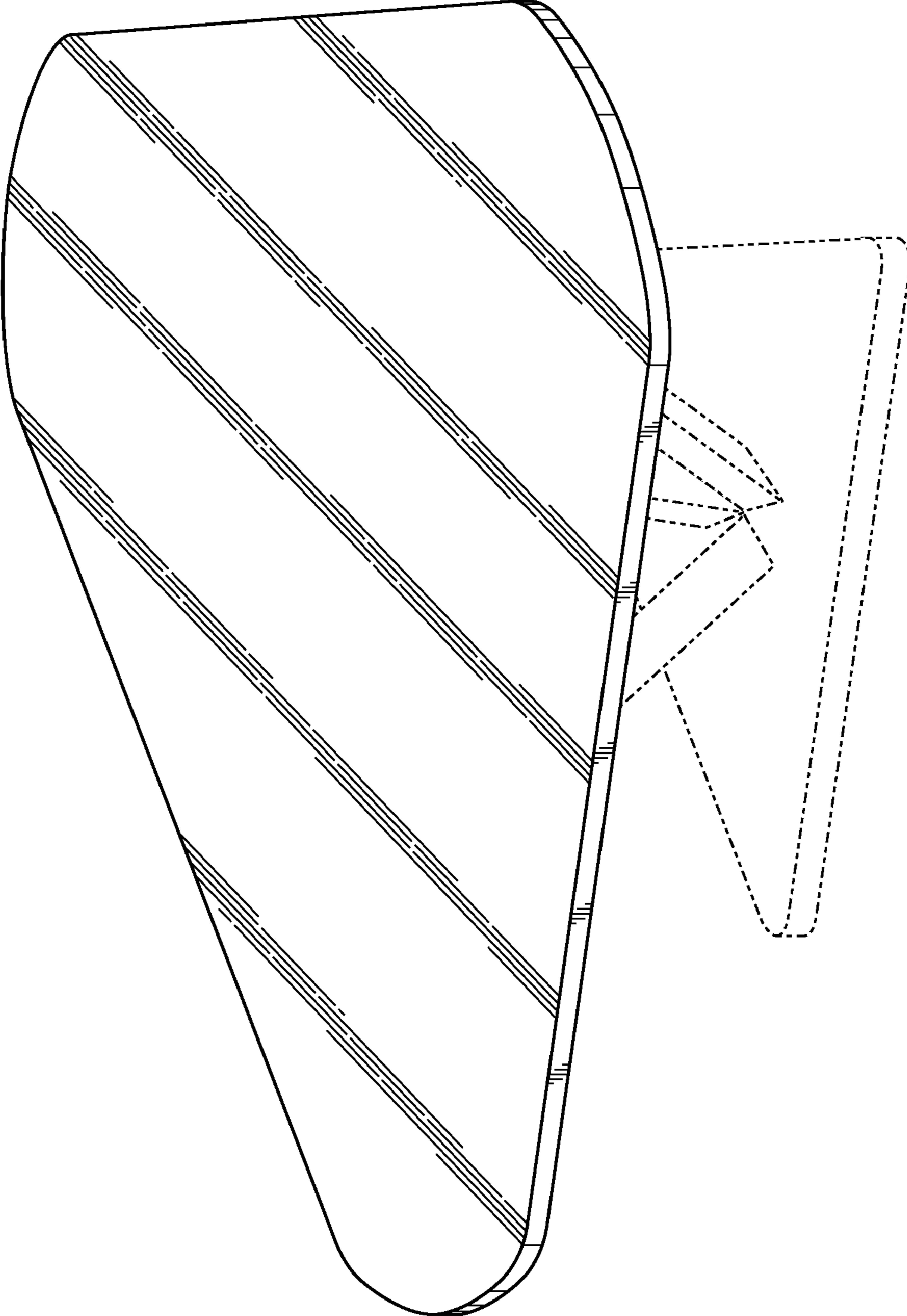


FIG. 17

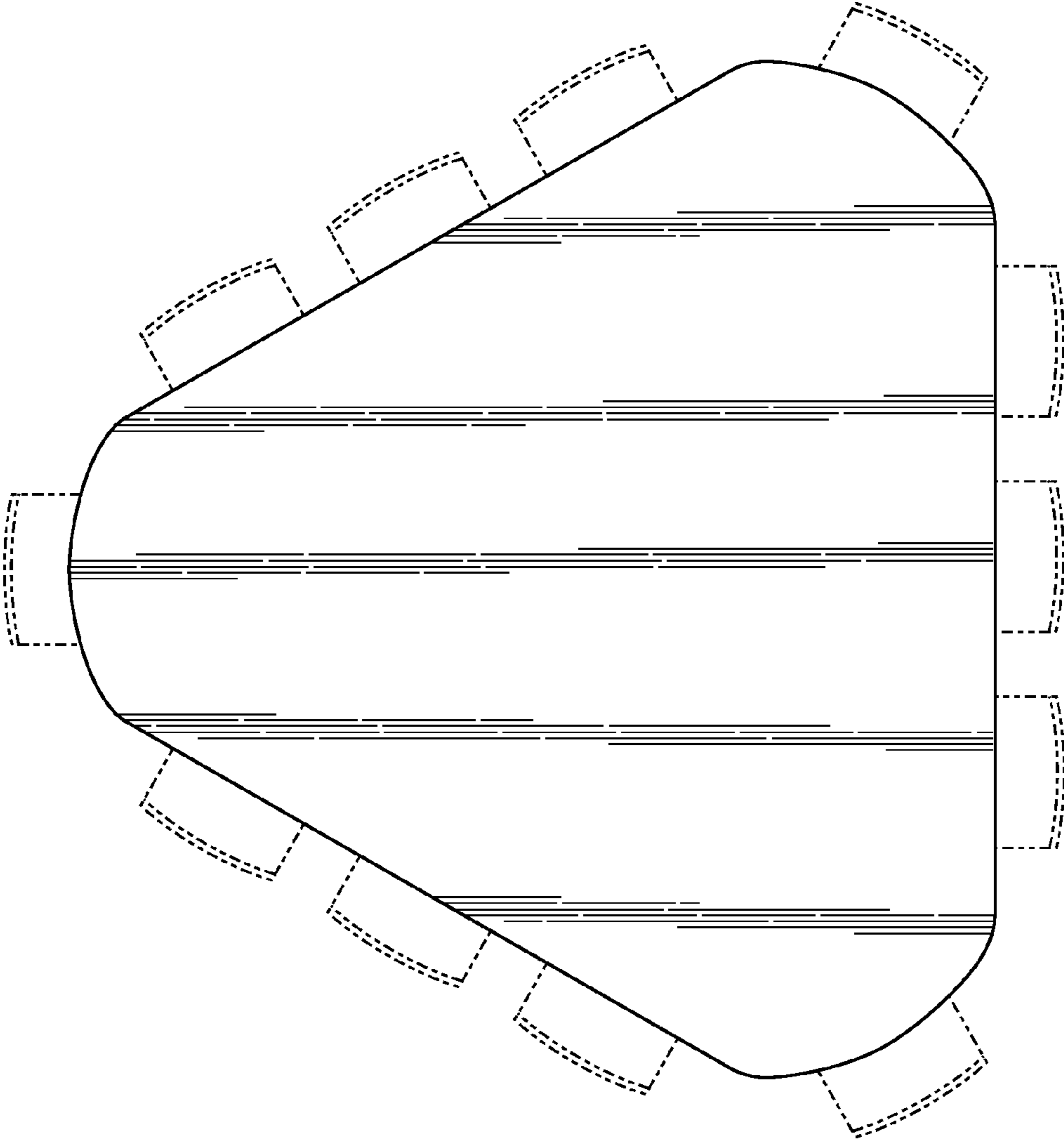


FIG. 18

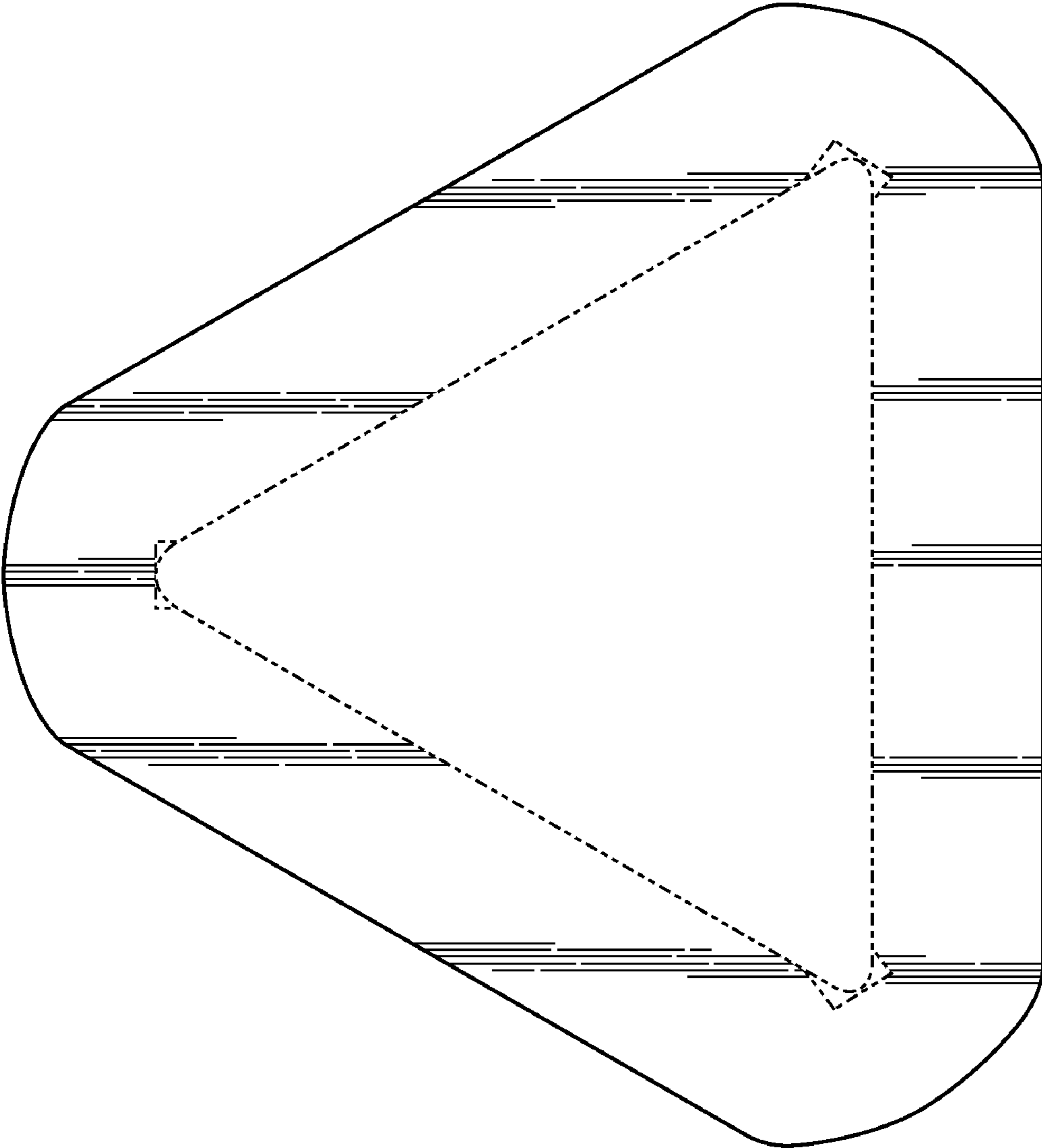


FIG. 19

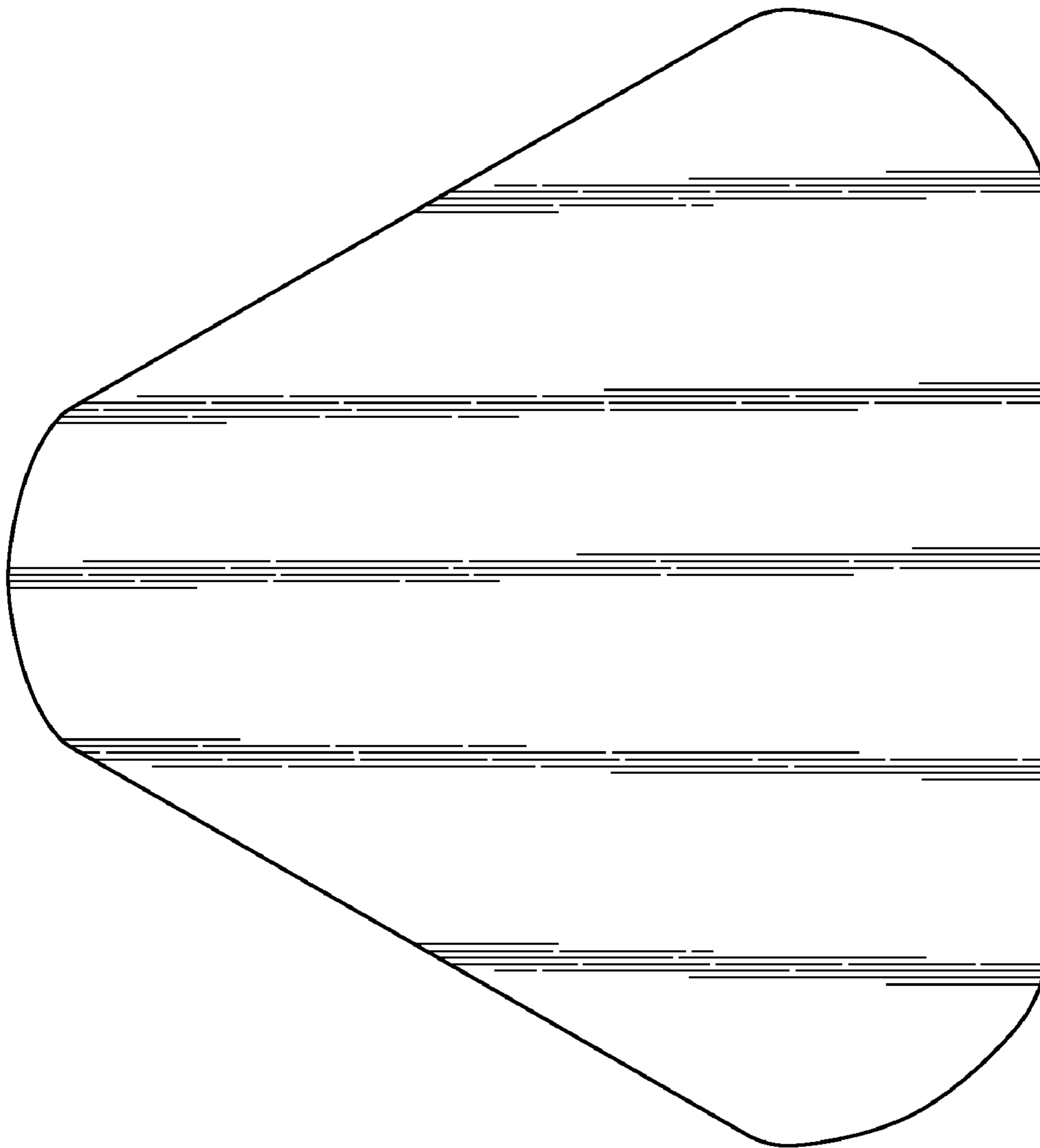


FIG. 20

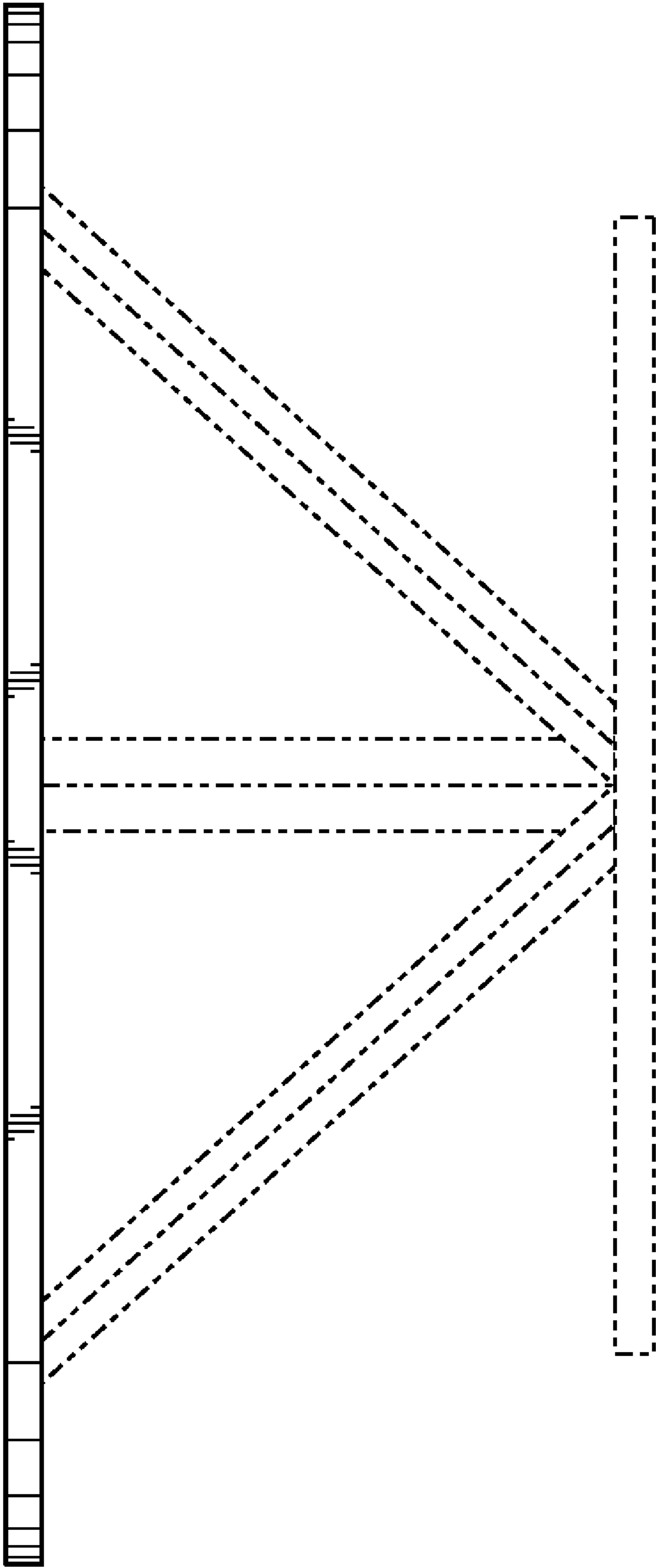


FIG. 21

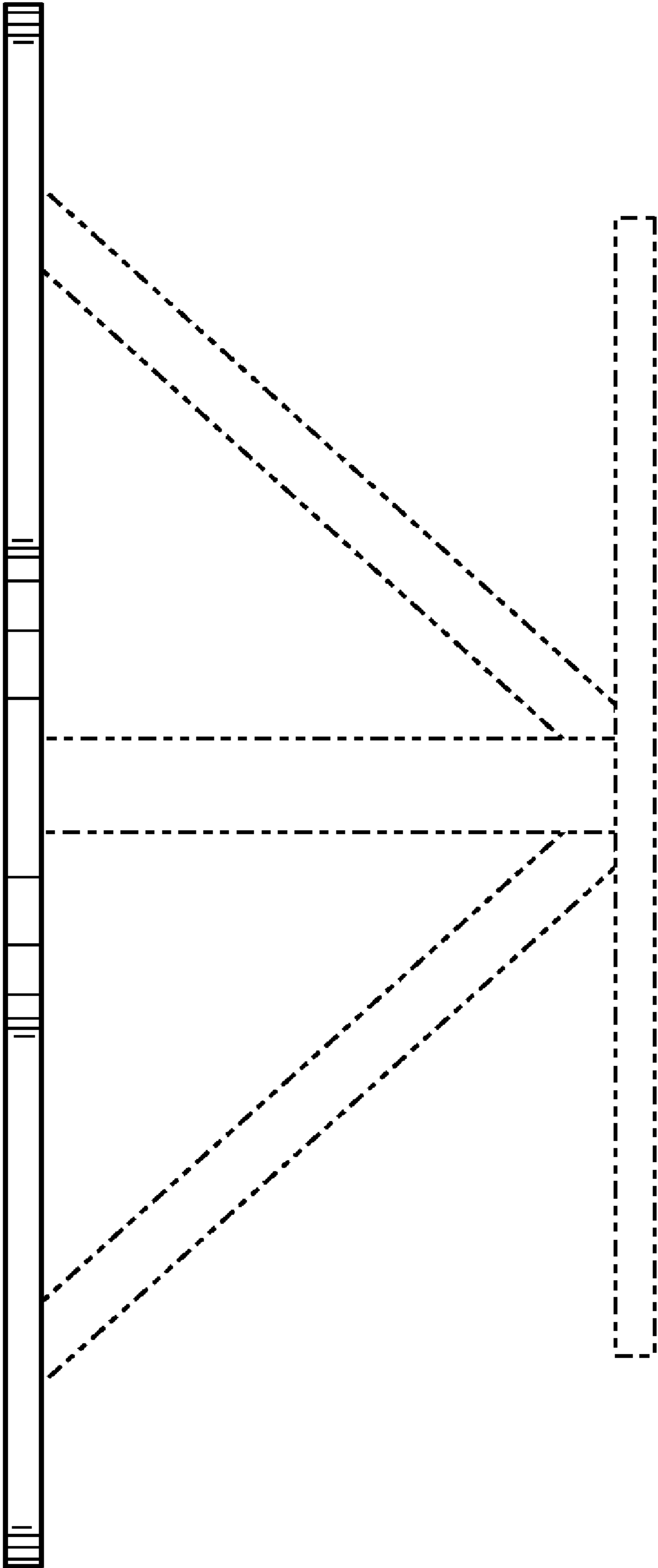


FIG. 22

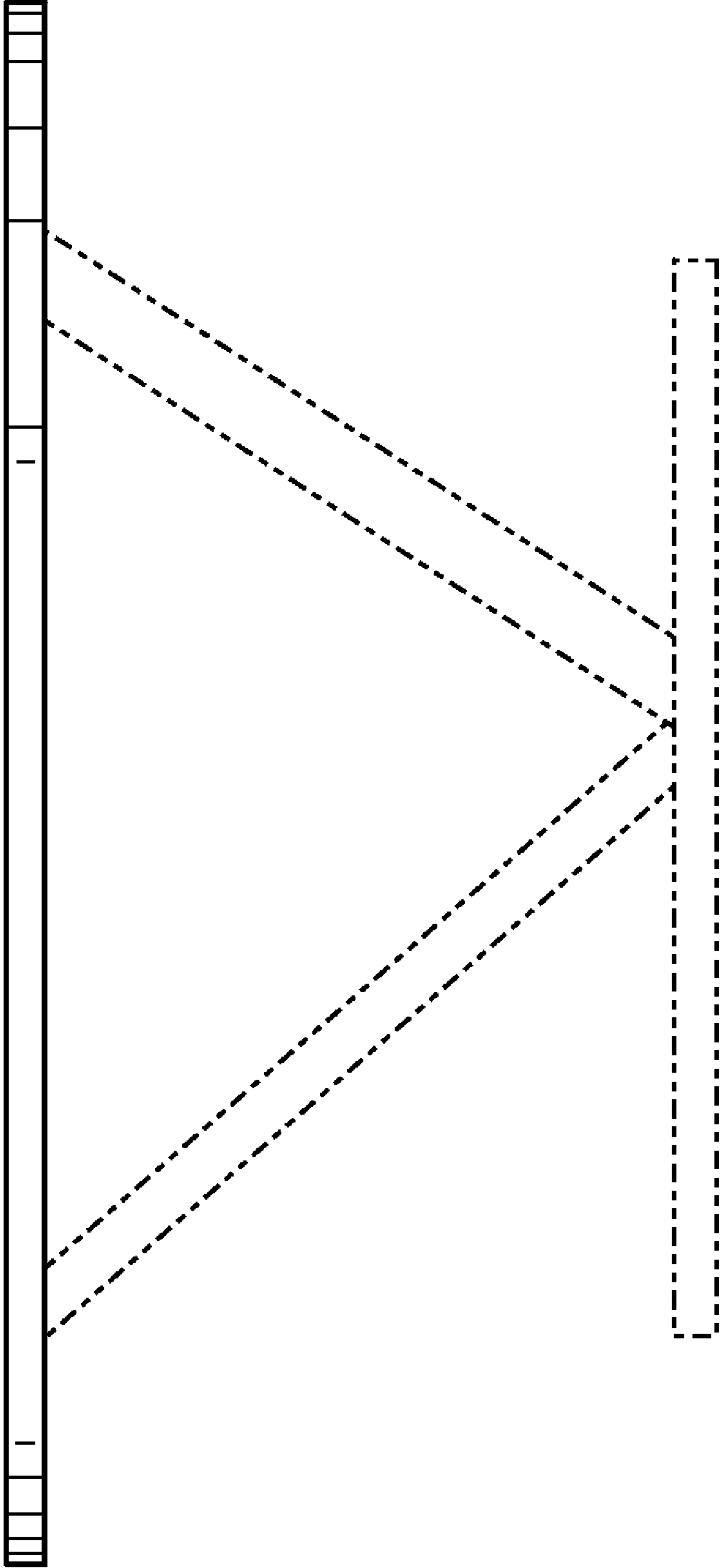


FIG. 23

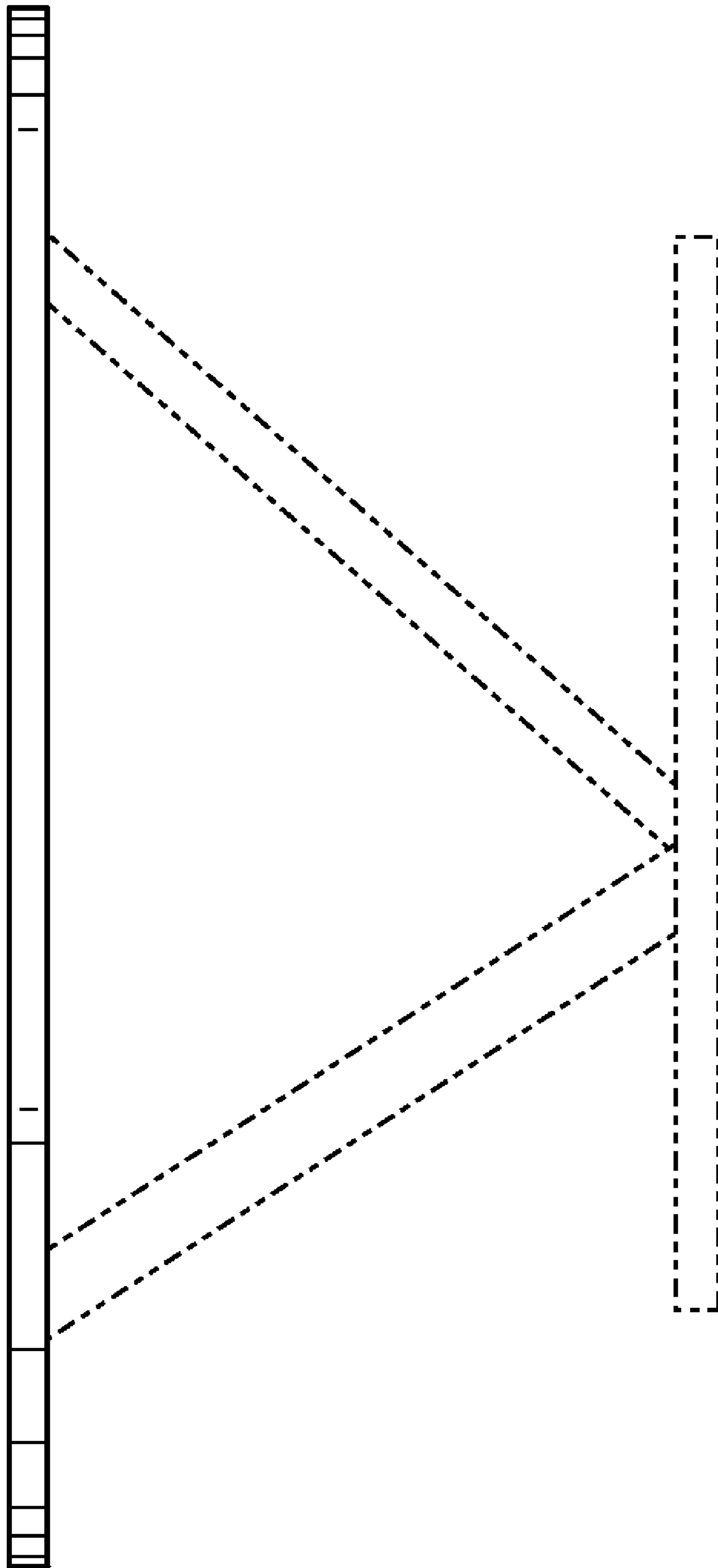


FIG. 24