



US00D565875S

(12) **United States Design Patent**
Oura et al.

(10) **Patent No.:** **US D565,875 S**
(45) **Date of Patent:** **** Apr. 8, 2008**

(54) **FRONT PANEL FOR STORAGE**

(75) Inventors: **Norihiro Oura**, Tokyo (JP); **Tetsuya Nagata**, Tokyo (JP)

(73) Assignee: **NEC Corporation**, Tokyo (JP)

(**) Term: **14 Years**

(21) Appl. No.: **29/289,908**

(22) Filed: **Aug. 7, 2007**

(30) **Foreign Application Priority Data**

Apr. 11, 2007 (JP) 2007-009649

(51) **LOC (8) Cl.** **06-06**

(52) **U.S. Cl.** **D6/510**

(58) **Field of Classification Search** D3/297,
D3/304, 307, 312, 319; D6/349, 352, 407,
D6/432-439, 441-446, 475-476, 481, 491-495,
D6/509-511, 631-633; D14/125, 355, 356,
D14/442; D34/27; 211/27; 220/602, 662-665;
312/140.1, 140.3, 249.4, 330.1, 348.1, 348.4,
312/351.3

See application file for complete search history.

(56) **References Cited**

U.S. PATENT DOCUMENTS

D350,333 S * 9/1994 Sharp D14/355
D370,572 S * 6/1996 Lin D6/446
5,857,757 A * 1/1999 Bieker et al. 312/351.3
D404,945 S * 2/1999 Simpkins et al. D6/510
D423,817 S * 5/2000 Holcomb et al. D6/445
D424,328 S * 5/2000 Dominik D6/445
D447,746 S * 9/2001 Tonozuka et al. D14/356
D495,701 S 9/2004 Murakami et al.

D524,819 S * 7/2006 Chen D14/442
D529,254 S * 9/2006 Huguet D34/27
D540,999 S * 4/2007 Huguet D34/27
D543,001 S * 5/2007 Huguet D34/27
D554,370 S * 11/2007 Hand D3/297

FOREIGN PATENT DOCUMENTS

DE 40308103.3 12/2003
FR 03 5952 2/2004
JP 1207323 6/2004
SE 77388 5/2004

* cited by examiner

Primary Examiner—Mimosa De

Assistant Examiner—Ricky Pham

(74) *Attorney, Agent, or Firm*—Seyfarth Shaw LLP

(57) **CLAIM**

The ornamental design for the front panel for storage, as shown and described.

DESCRIPTION

FIG. 1 is a top perspective view of the front panel for storage showing our new design, the dashed lines indicating storage which forms no part of our design;

FIG. 2 is a front elevational view thereof;

FIG. 3 is a sectional view along the line 3—3 of FIG. 2;

FIG. 4 is a rear elevational view thereof;

FIG. 5 is a left-side elevational view of one side thereof;

FIG. 6 is a right-side elevational view of the other side thereof;

FIG. 7 is a top plan view thereof; and,

FIG. 8 is a bottom plan view thereof.

1 Claim, 3 Drawing Sheets

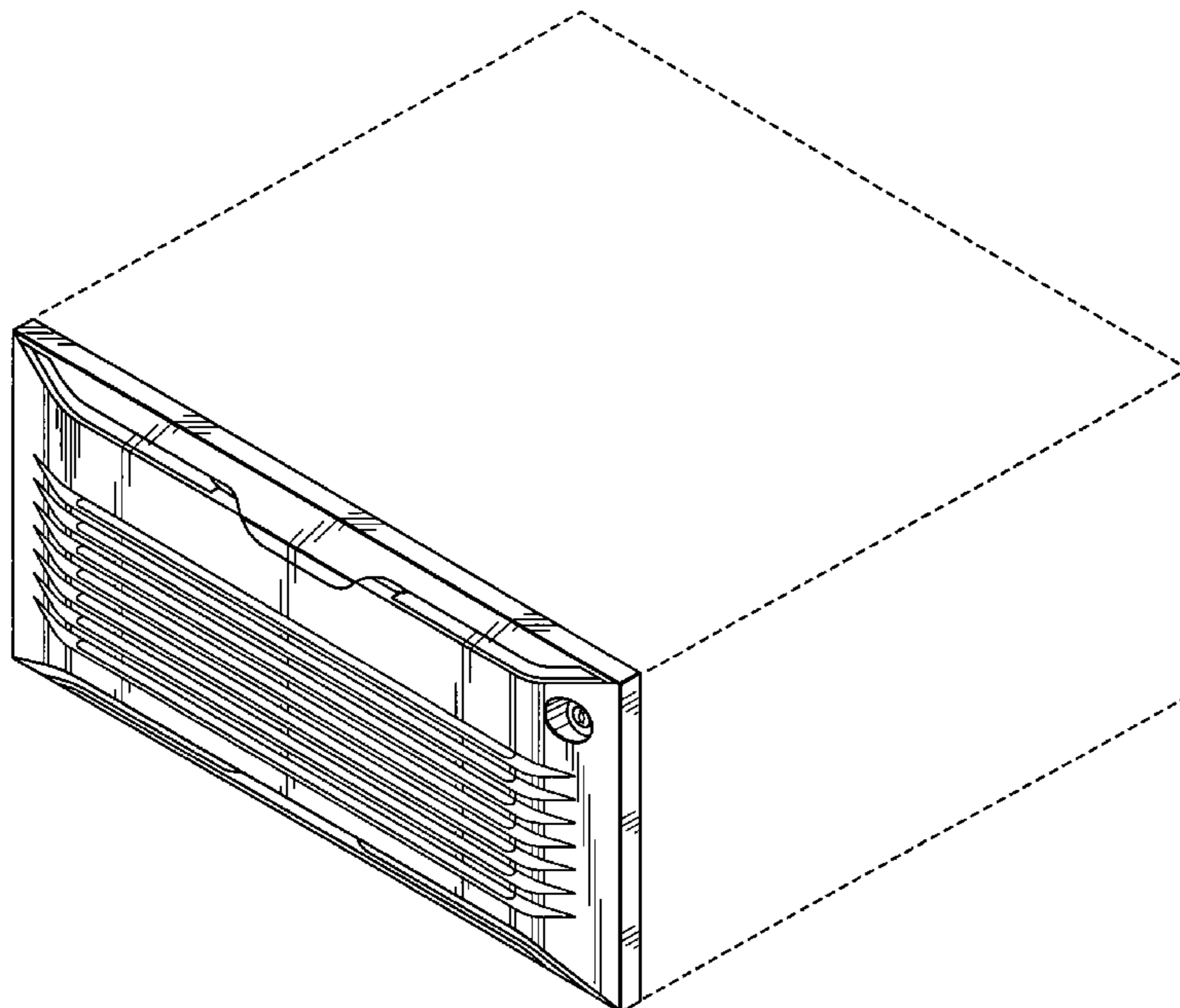


Fig. 1

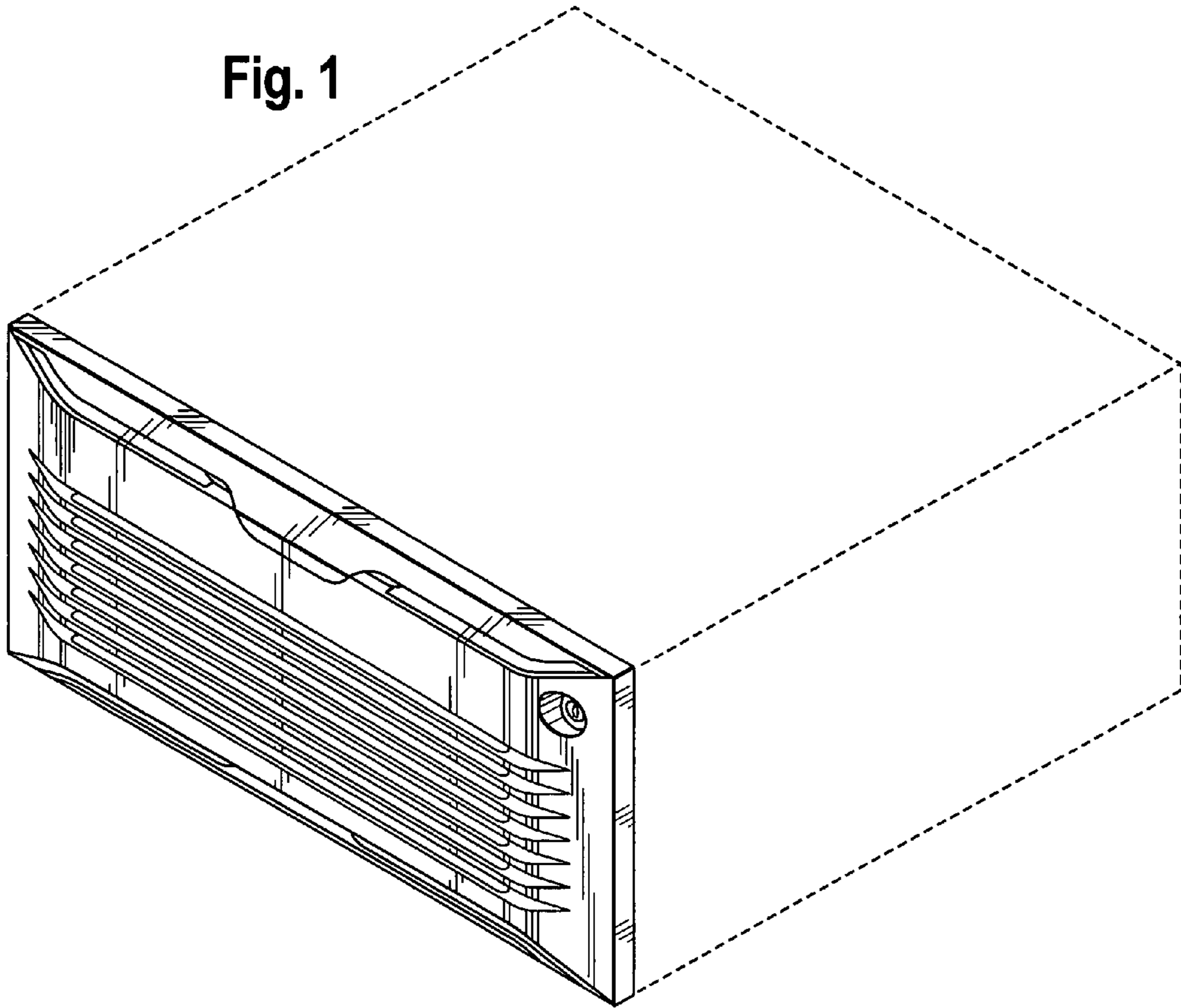


Fig. 2

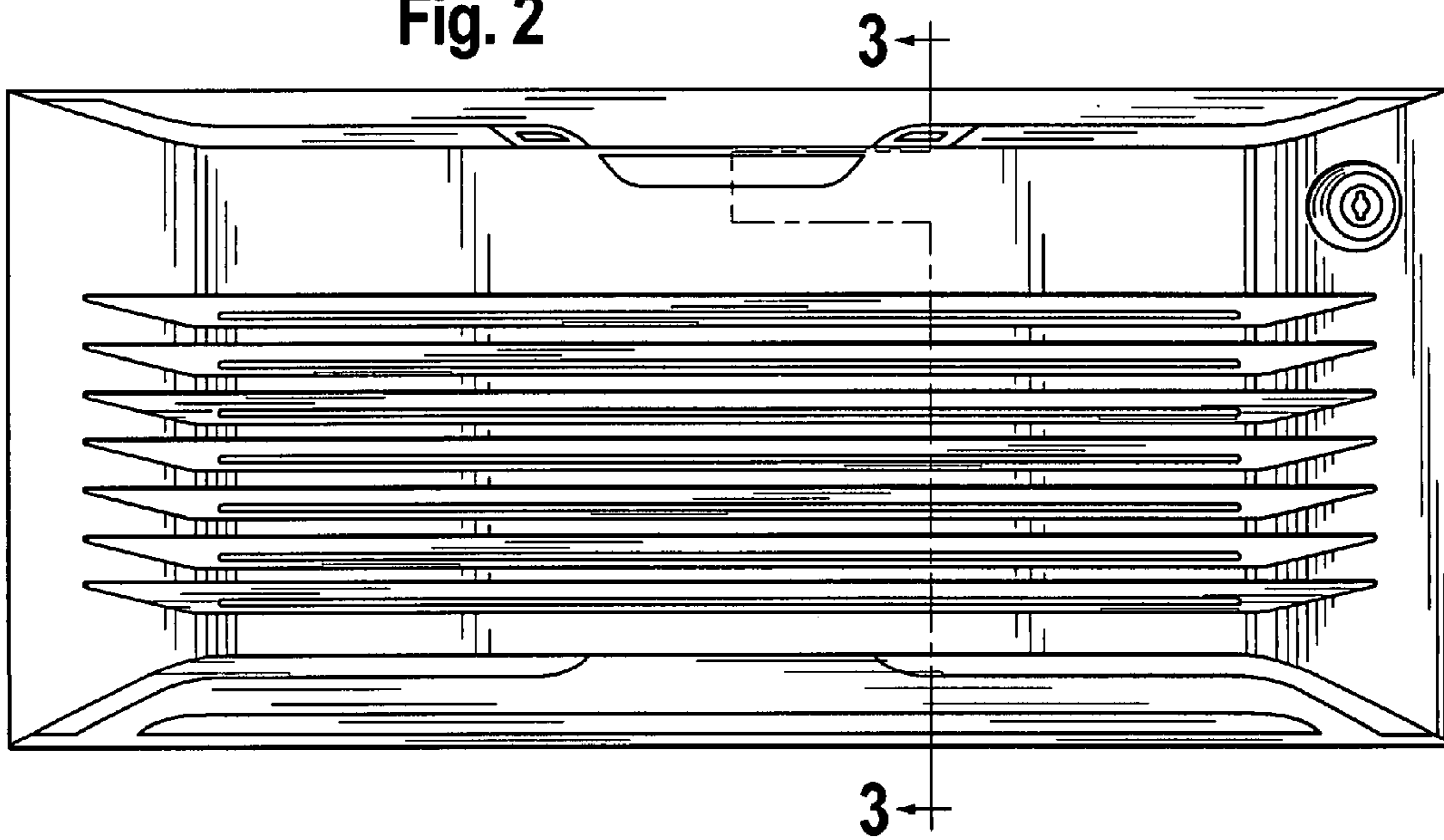


Fig. 3

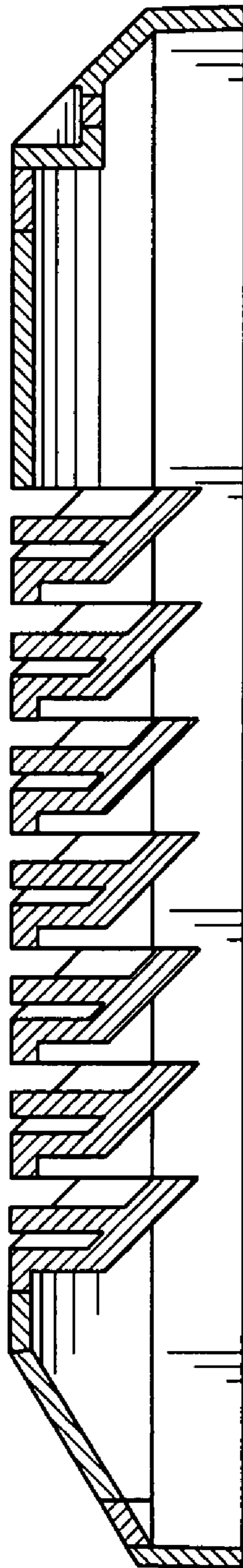


Fig. 4

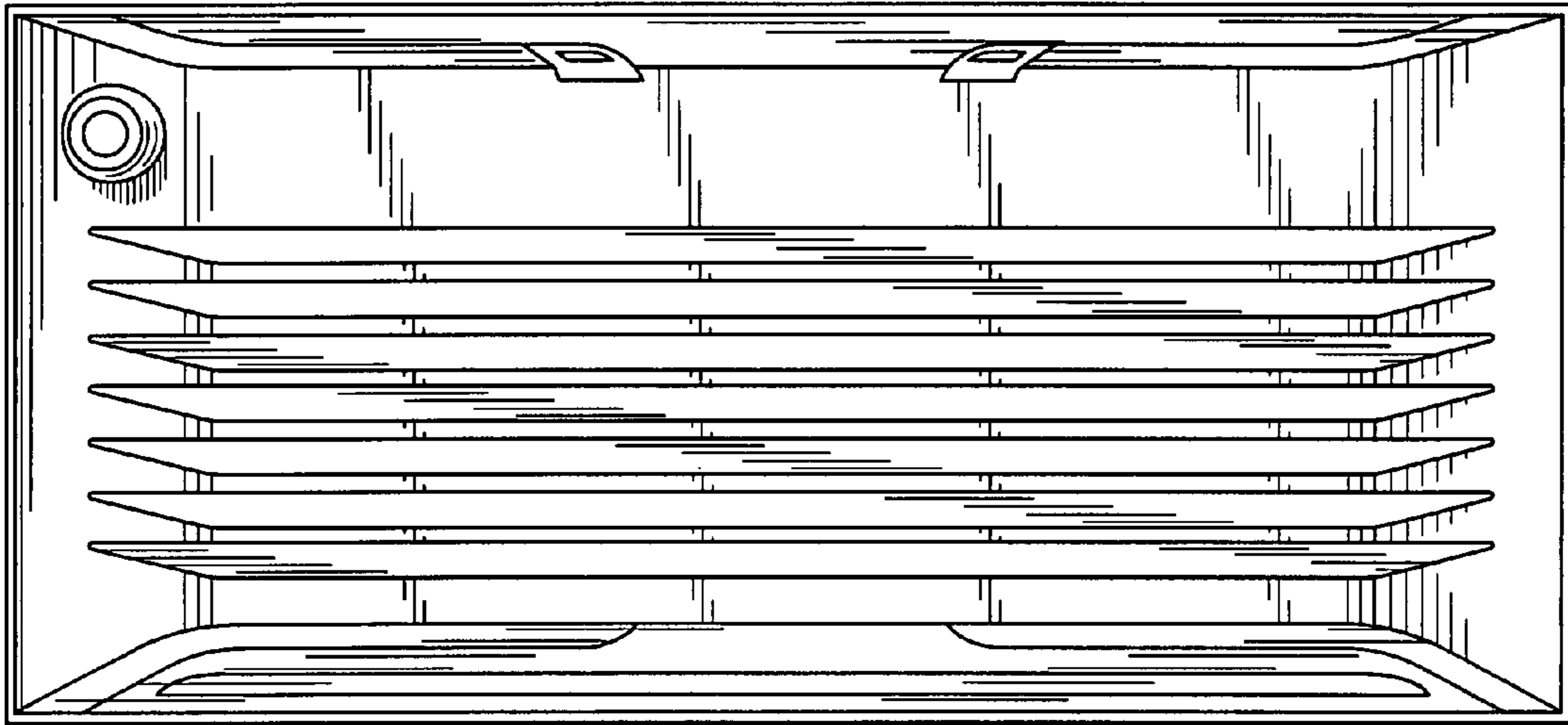


Fig. 5

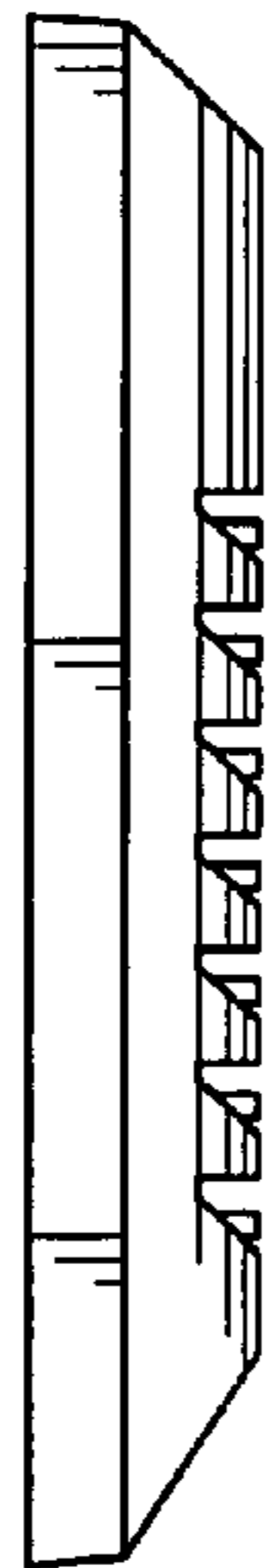


Fig. 6

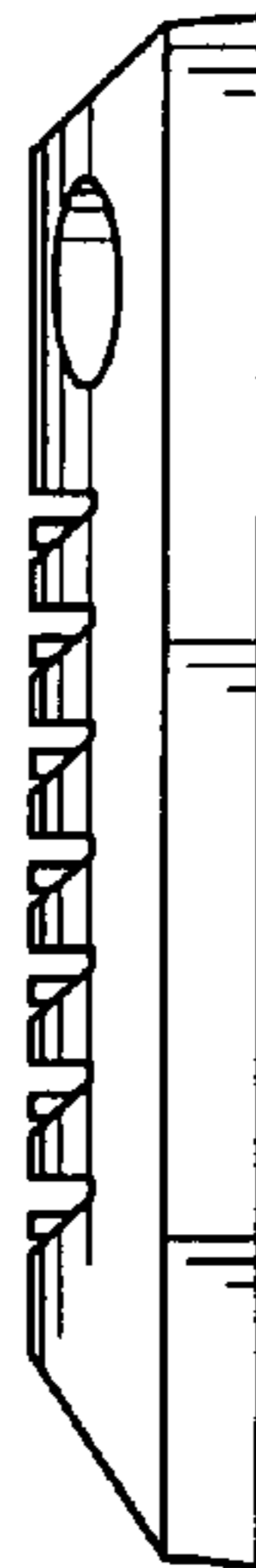


Fig. 7

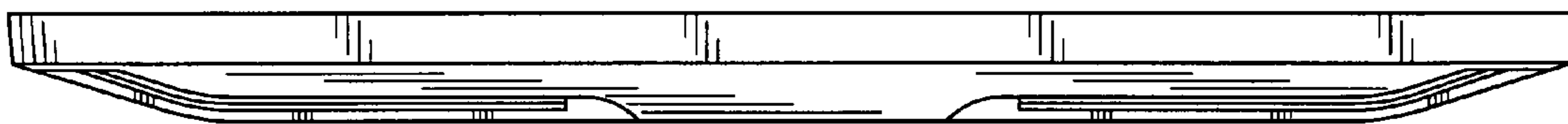


Fig. 8

