

US00D565874S

(12) **United States Design Patent**  
**Oura et al.**

(10) **Patent No.:** **US D565,874 S**

(45) **Date of Patent:** **\*\* Apr. 8, 2008**

(54) **FRONT PANEL FOR STORAGE**

(75) Inventors: **Norihiro Oura**, Tokyo (JP); **Misa Iwamoto**, Tokyo (JP); **Mariko Jinno**, Tokyo (JP); **Tetsuya Nagata**, Tokyo (JP)

(73) Assignee: **NEC Corporation**, Tokyo (JP)

(\*\*) Term: **14 Years**

(21) Appl. No.: **29/289,907**

(22) Filed: **Aug. 7, 2007**

(30) **Foreign Application Priority Data**

Mar. 20, 2007 (JP) ..... 2007-007135

(51) **LOC (8) Cl.** ..... **06-06**

(52) **U.S. Cl.** ..... **D6/510**

(58) **Field of Classification Search** ..... D3/304, D3/307, 312, 319; D6/349, 352, 407, 432-439, D6/441-445, 475-476, 481, 491-495, 509-511, D6/631-633; D14/125, 356, 442; D34/27; 211/27; 220/602, 662-665; 312/140.1, 312/140.3, 204, 249.4, 330.1, 348.1, 348.4  
See application file for complete search history.

(56) **References Cited**

**U.S. PATENT DOCUMENTS**

D335,409 S \* 5/1993 Kellems ..... D6/510  
D404,945 S \* 2/1999 Simpkins et al. .... D6/510  
D423,818 S \* 5/2000 Holcomb et al. .... D6/445  
D441,731 S \* 5/2001 Arhos et al. .... D14/125  
D467,451 S \* 12/2002 High ..... D6/492  
D495,701 S 9/2004 Murakami et al.  
D504,258 S \* 4/2005 Grossman et al. .... D6/510

D521,994 S \* 5/2006 Sanefuji ..... D14/356  
D523,667 S \* 6/2006 Bisson ..... D6/510  
D524,819 S \* 7/2006 Chen ..... D14/442  
D529,254 S \* 9/2006 Huguet ..... D34/27  
D540,999 S \* 4/2007 Huguet ..... D34/27  
D543,001 S \* 5/2007 Huguet ..... D34/27

**FOREIGN PATENT DOCUMENTS**

CH 77388 5/2004  
DE 40308103.3 12/2003  
FR 03 5952 2/2004  
JP 1207323 6/2004

\* cited by examiner

*Primary Examiner*—Mimosa De

*Assistant Examiner*—Ricky Pham

(74) *Attorney, Agent, or Firm*—Seyfarth Shaw LLP

(57) **CLAIM**

The ornamental design for the front panel for storage, as shown and described.

**DESCRIPTION**

FIG. 1 is a top perspective view of the front panel for storage showing our new design, the dashed lines indicating storage which forms no part of our design;

FIG. 2 is a front elevational view thereof;

FIG. 3 is a sectional view along the line 3—3 of FIG. 2;

FIG. 4 is a rear elevational view thereof;

FIG. 5 is a left-side elevational view thereof;

FIG. 6 is a right-side elevational view thereof;

FIG. 7 is a top plan view thereof; and,

FIG. 8 is a bottom plan view thereof.

**1 Claim, 2 Drawing Sheets**

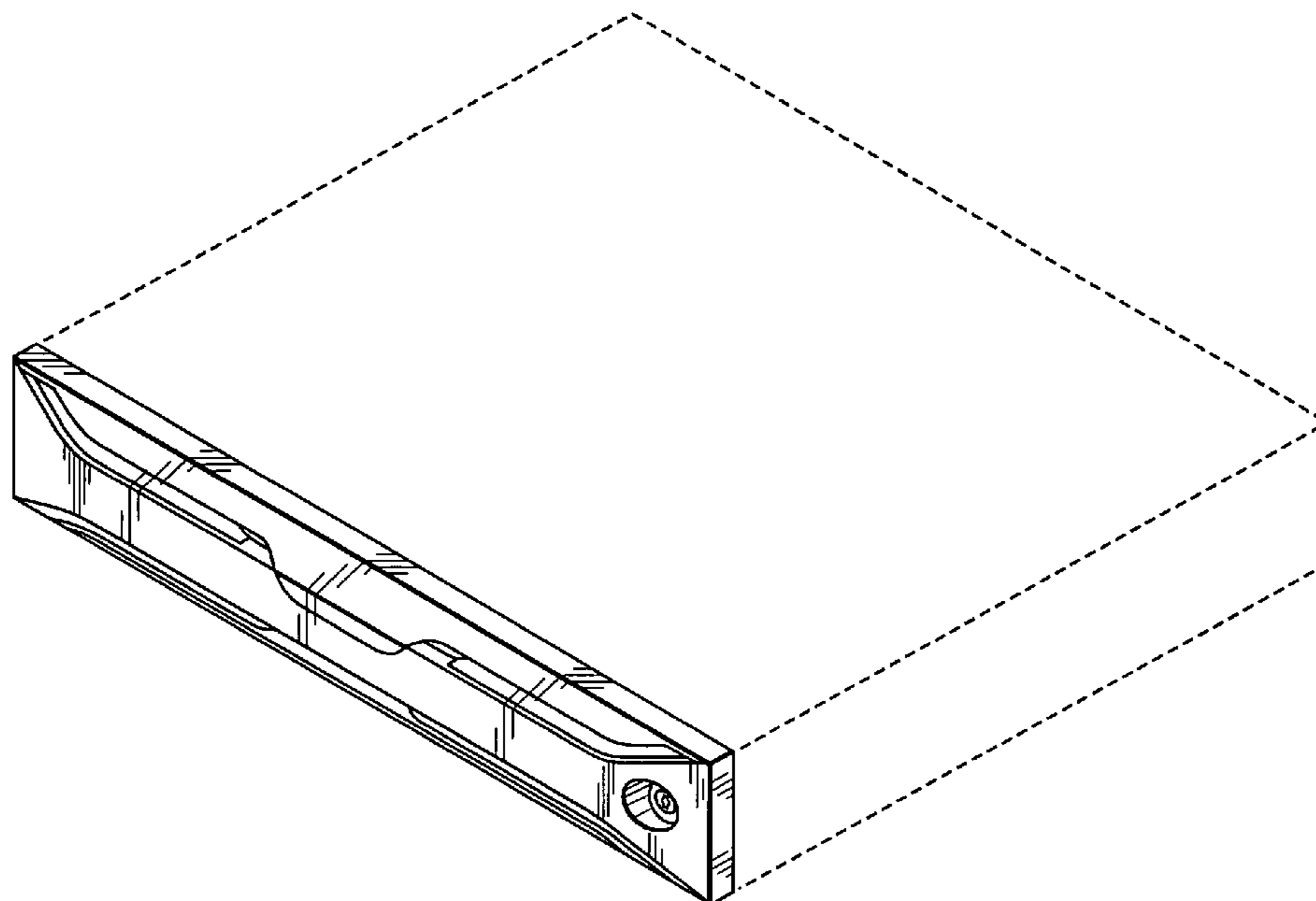


Fig. 1

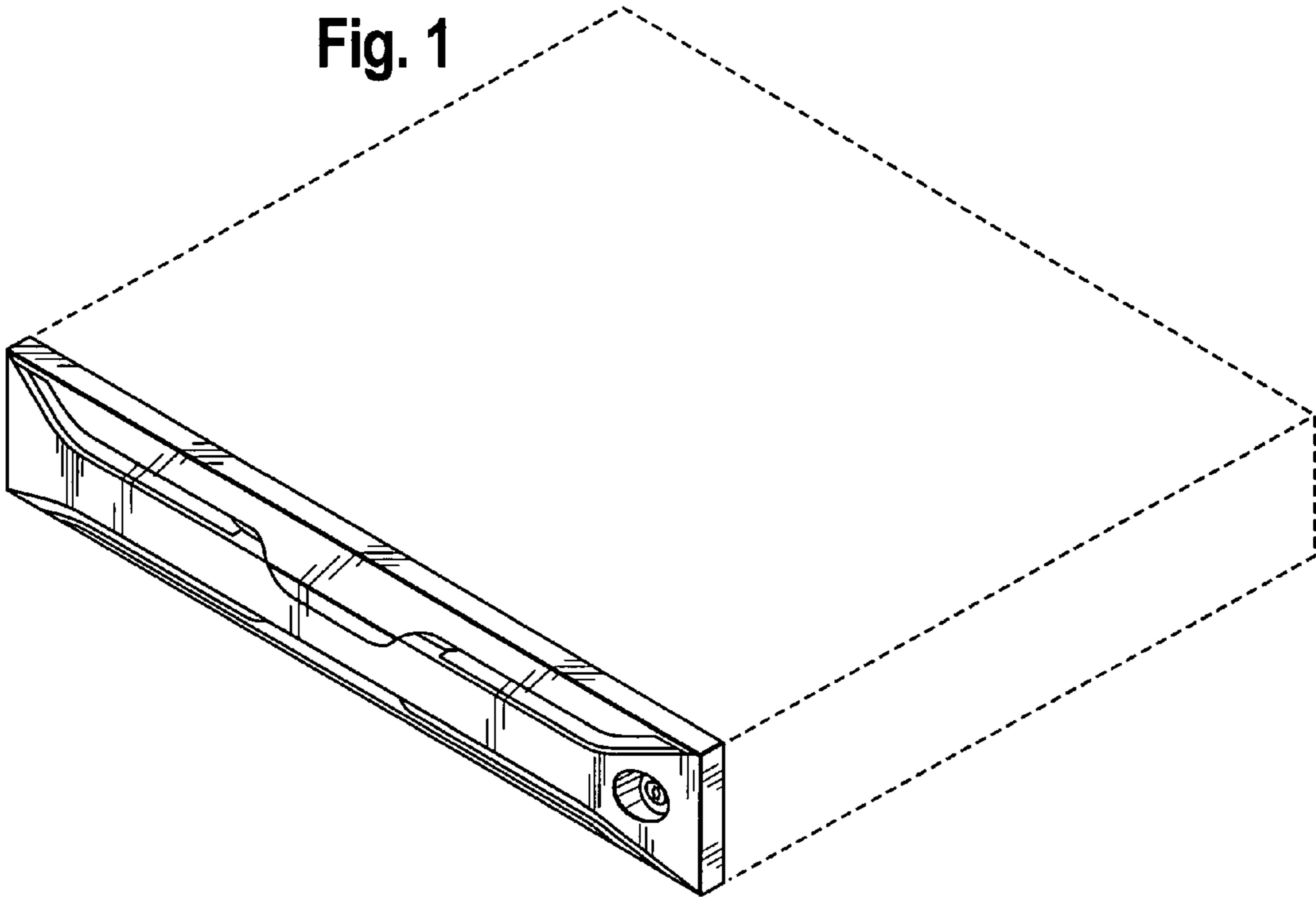


Fig. 2

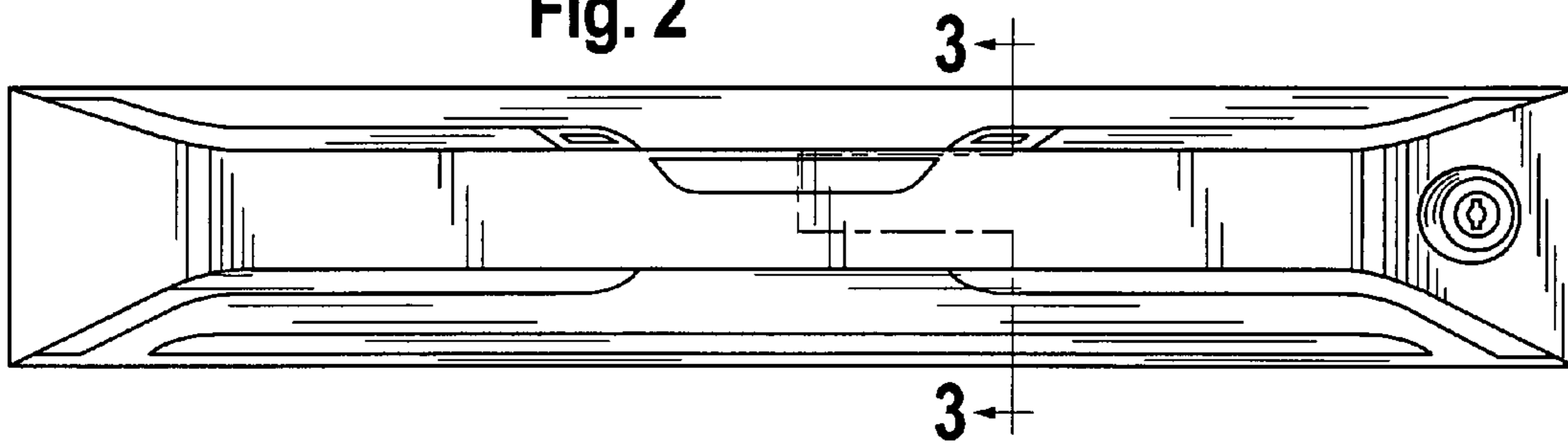


Fig. 3

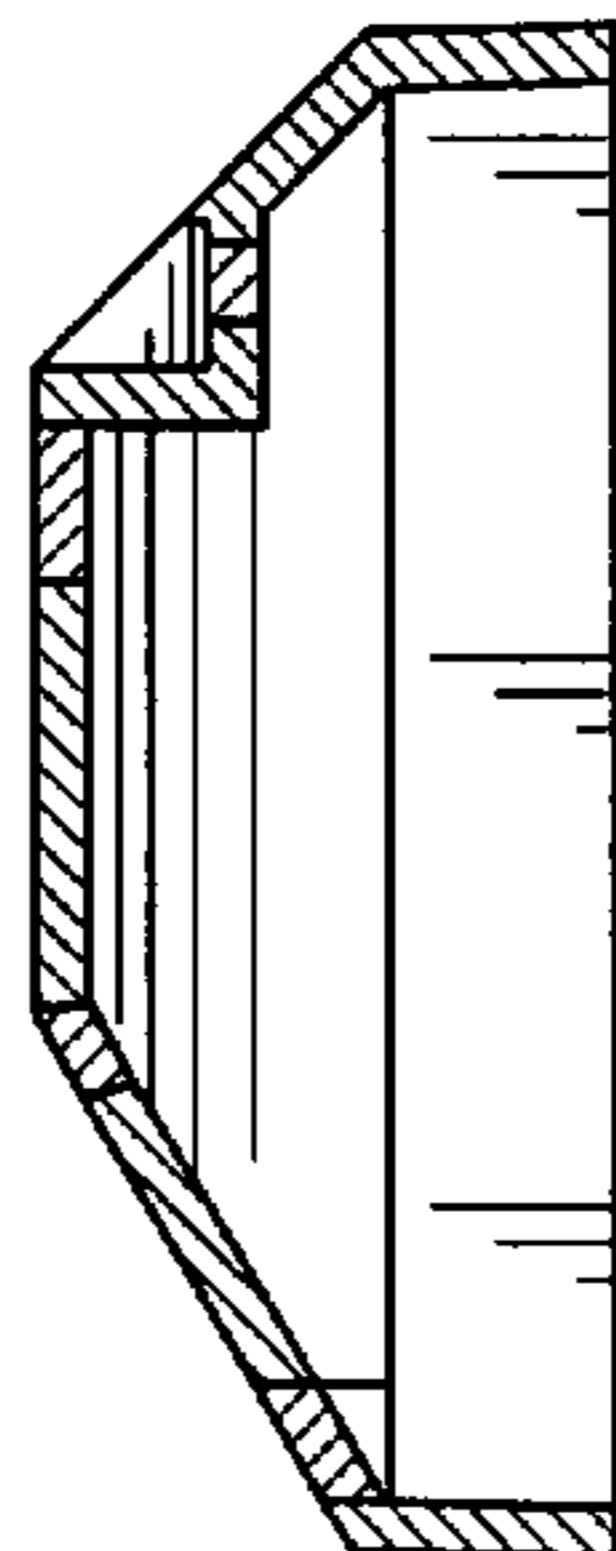


Fig. 4

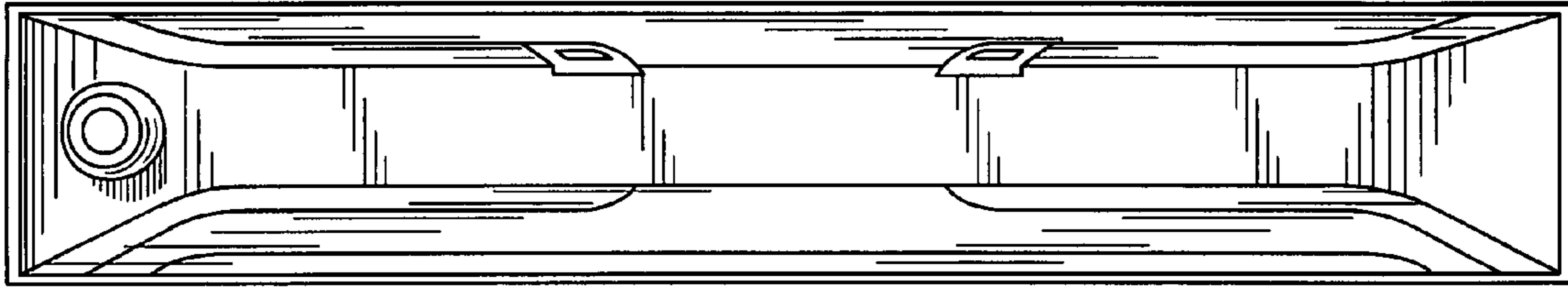


Fig. 5



Fig. 6

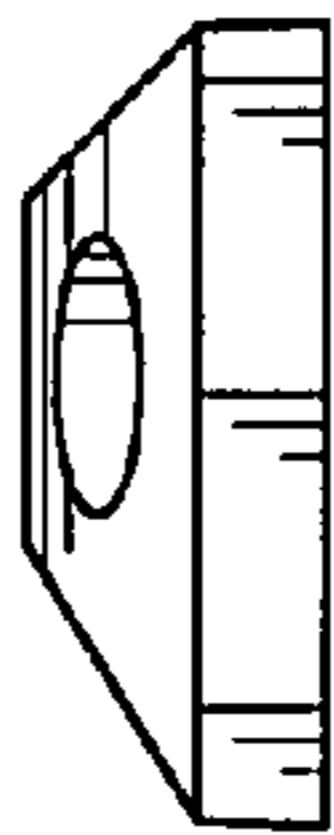


Fig. 7

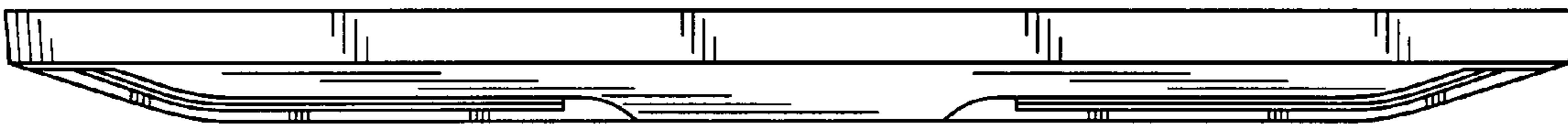


Fig. 8

