



US00D565869S

(12) **United States Design Patent**
Williams

(10) **Patent No.:** **US D565,869 S**

(45) **Date of Patent:** **** Apr. 8, 2008**

(54) **ROLLER FOOT FOR AN ARTICLE OF FURNITURE**

(75) Inventor: **Scott J. Williams**, Green Bay, WI (US)

(73) Assignee: **Krueger International, Inc.**, Green Bay, WI (US)

(**) Term: **14 Years**

(21) Appl. No.: **29/249,563**

(22) Filed: **Oct. 12, 2006**

(51) **LOC (8) Cl.** **06-06**

(52) **U.S. Cl.** **D6/495**

(58) **Field of Classification Search** D6/480-489,
D6/495-499, 428, 422; D8/375; 108/150,
108/152, 153.1, 156, 161, 157.1; 248/188,
248/188.1, 188.7, 188.8

See application file for complete search history.

(56) **References Cited**

U.S. PATENT DOCUMENTS

1,064,244 A	6/1913	Neugebauer
1,137,329 A	4/1915	Johnson
1,152,687 A	9/1915	Acton
1,749,751 A	3/1930	Bergsten
1,873,347 A	8/1932	Smart
2,025,448 A	12/1935	Hebbinghaus
2,059,420 A	11/1936	Ward, Jr.
2,434,863 A	1/1948	Parkhill
2,613,389 A	10/1952	Cramer
2,709,827 A	6/1955	Volz
2,767,420 A	10/1956	Riccio
2,770,831 A	11/1956	Angelica et al.
2,808,607 A	10/1957	Urso
2,885,720 A	9/1959	Bertha
2,911,226 A	11/1959	Grieder
2,942,290 A	6/1960	Segal
2,942,698 A	6/1960	Bolinger
2,980,944 A	4/1961	Bolinger
3,025,930 A	3/1962	Segal
3,102,298 A	9/1963	Sheahan
3,349,425 A	10/1967	Rabelos

3,699,609 A	10/1972	Spatz	
3,796,169 A	3/1974	Bales et al.	
4,077,086 A	3/1978	Butler	
4,086,680 A	5/1978	Kelly	
4,102,172 A	7/1978	Iiyoshi	
4,166,516 A	9/1979	Thurmond, Jr.	
4,700,430 A	10/1987	Rafferty	
4,821,369 A	4/1989	Daniels	
5,001,808 A	3/1991	Chung	
D330,302 S *	10/1992	Heidmann D6/495
5,259,088 A	11/1993	Yang	
5,355,550 A	10/1994	Yang	
5,421,636 A	6/1995	Gamble	
5,551,712 A	9/1996	Repucci	
5,617,934 A	4/1997	Yang	
D380,632 S *	7/1997	Schacht D6/495
D391,841 S *	3/1998	Loescher D8/375
D399,077 S *	10/1998	Lepper et al. D6/484

(Continued)

FOREIGN PATENT DOCUMENTS

GB	2127287	4/1984
JP	03266702	11/1991

Primary Examiner—Janice E. Seeger

(74) *Attorney, Agent, or Firm*—Boyle Fredrickson, SC

(57) **CLAIM**

The ornamental design for a roller foot for an article of furniture, as shown and described.

DESCRIPTION

FIG. 1 is an isometric view of a roller foot for an article of furniture incorporating my new design, wherein the phantom lines indicate environment and form no part of the claimed design;

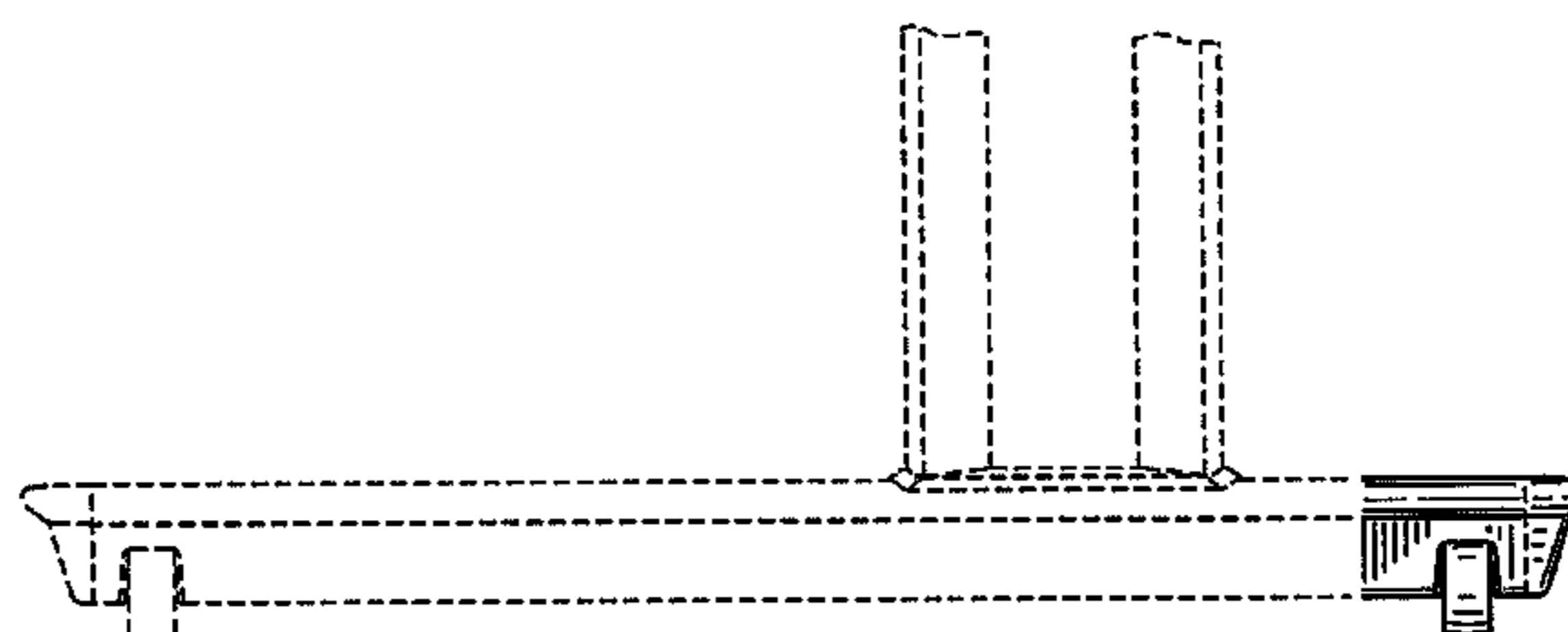
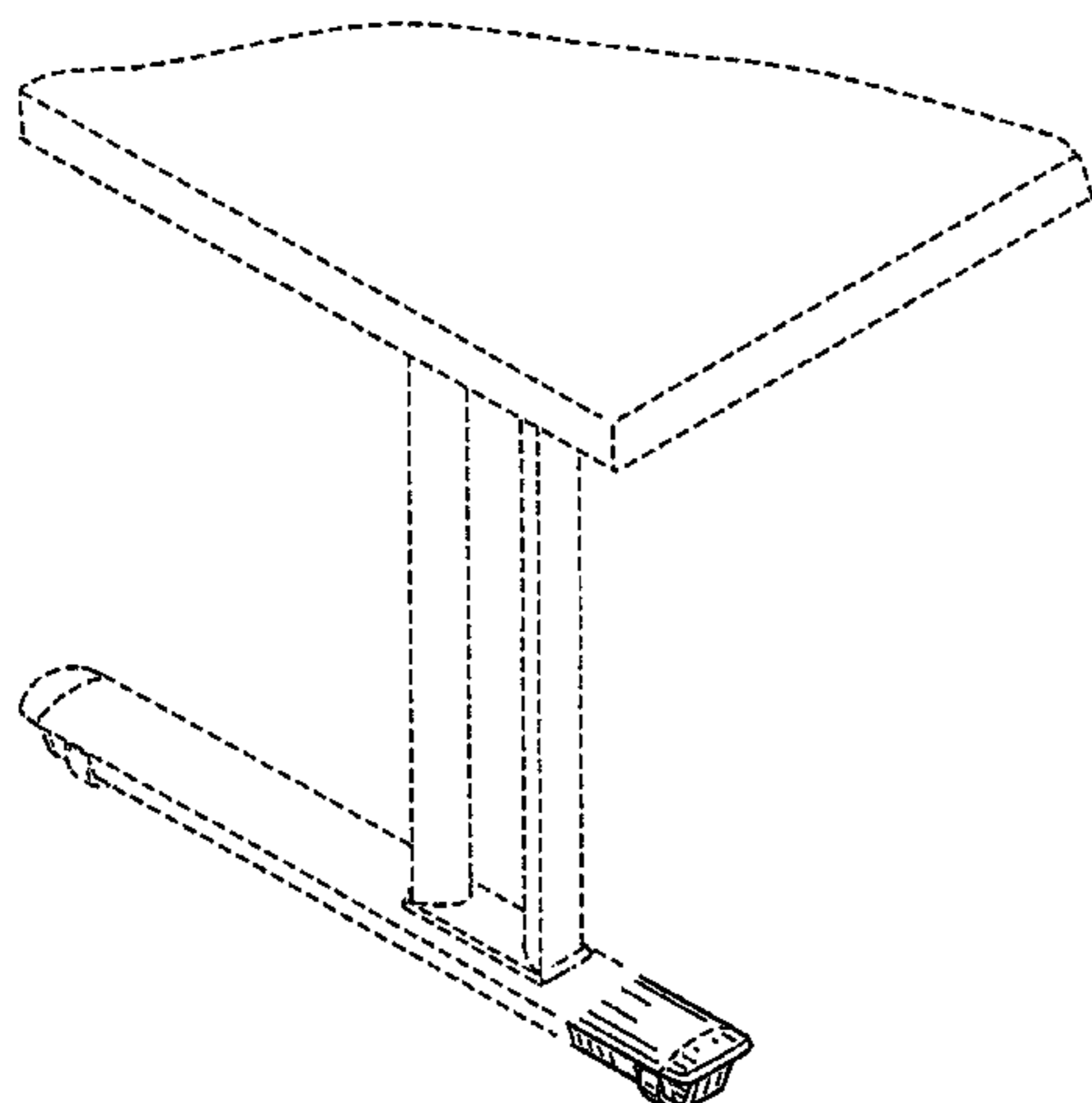
FIG. 2 is a side elevation view thereof;

FIG. 3 is an end elevation view thereof;

FIG. 4 is a top plan view thereof; and,

FIG. 5 is a bottom plan view thereof.

1 Claim, 3 Drawing Sheets



US D565,869 S

Page 2

U.S. PATENT DOCUMENTS			
		D488,998 S	4/2004 Bosman
6,357,077 B1	3/2002	Jones et al.	6,719,256 B2 4/2004 Rydell et al.
6,473,935 B1	11/2002	Cherukuri	6,883,763 B2 4/2005 Bosman et al.
D471,791 S *	3/2003	Bosman	D8/375 * cited by examiner

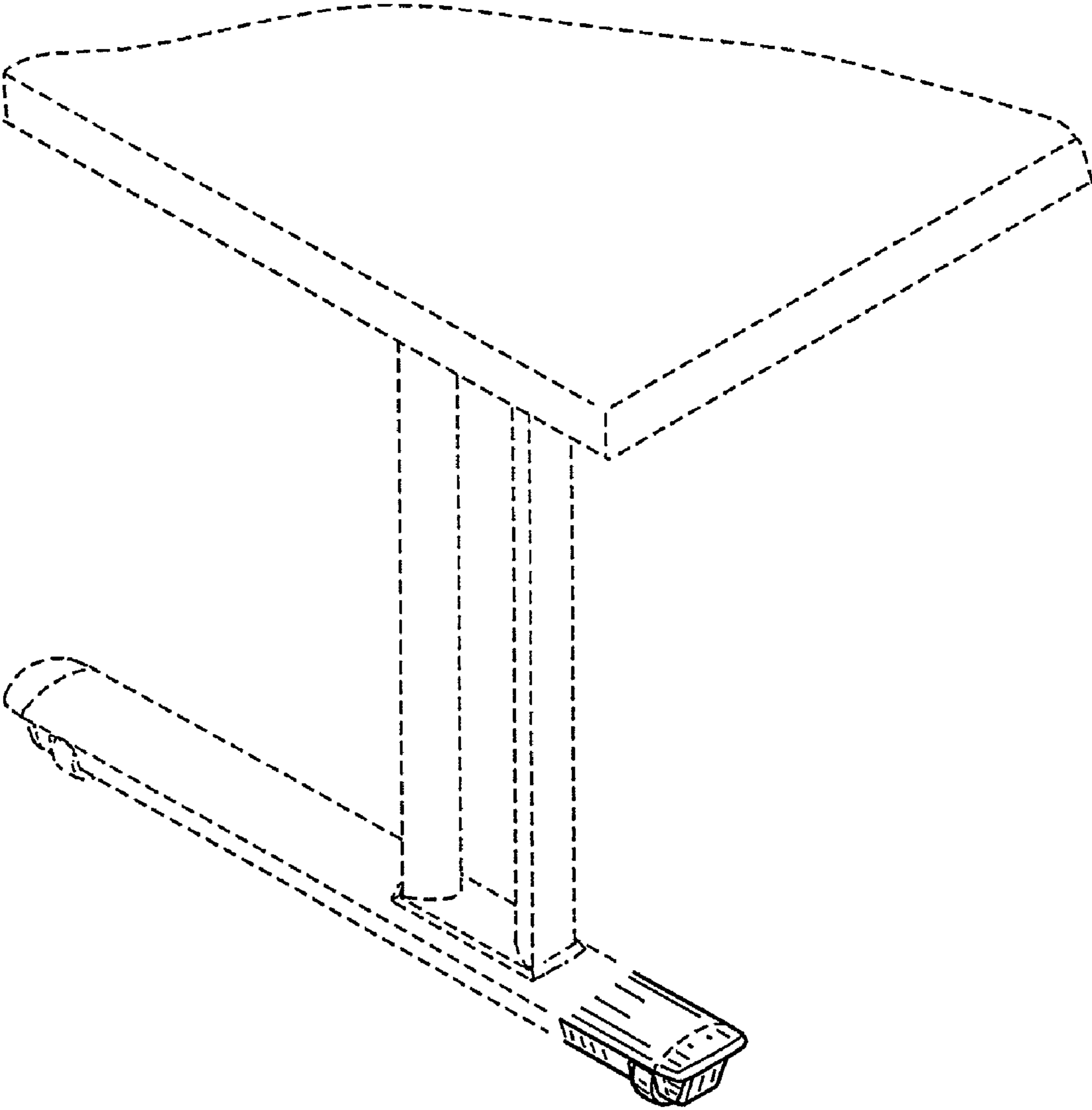


FIG. 1

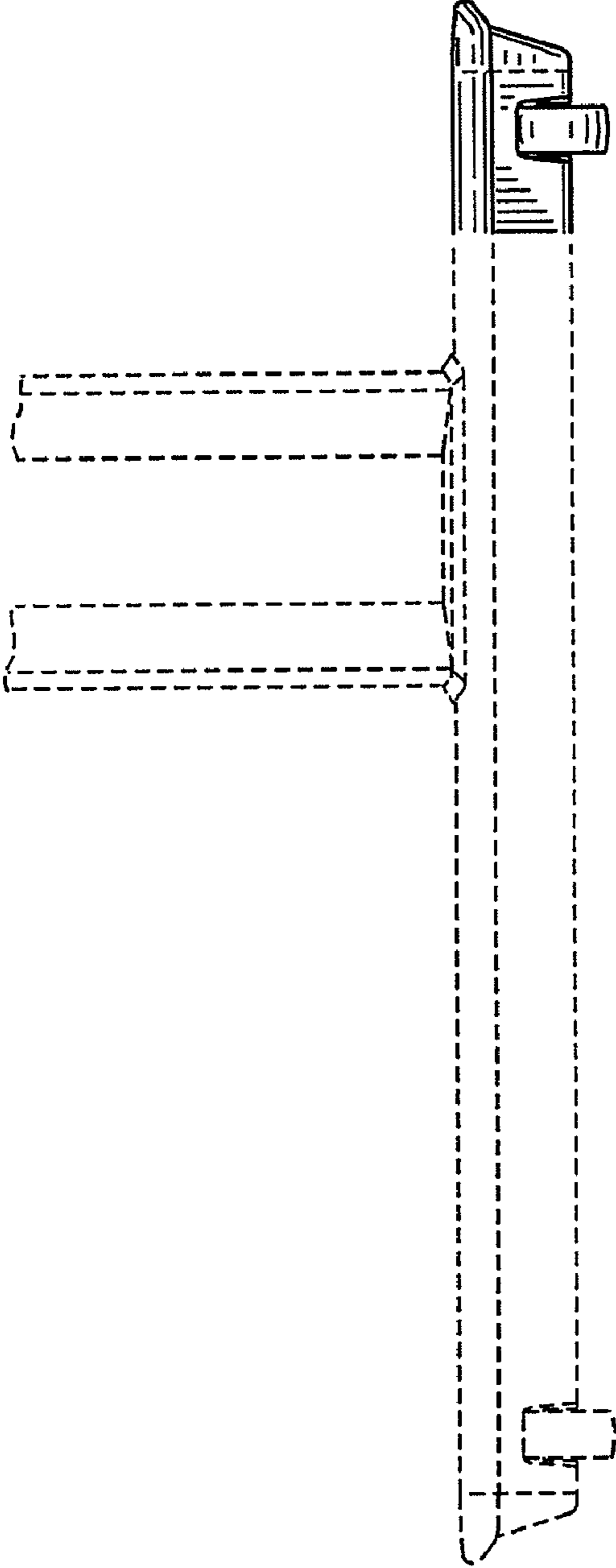


FIG. 2

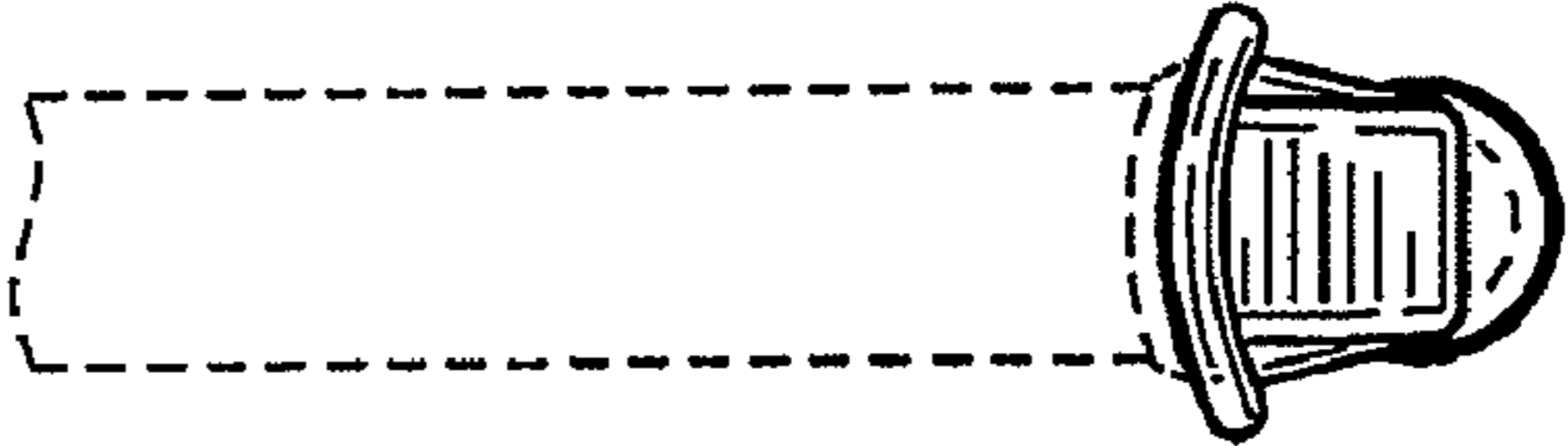


FIG. 3

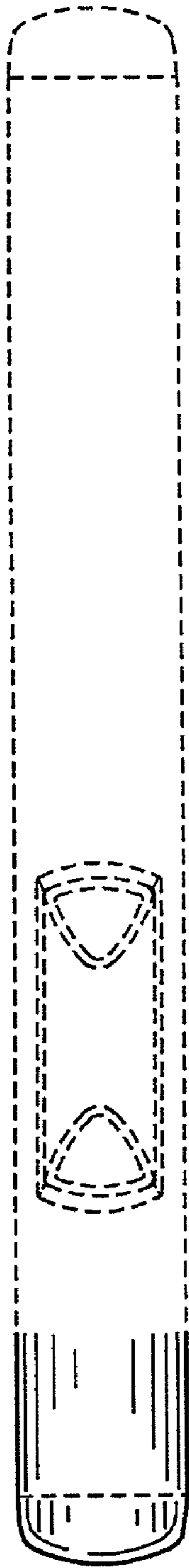


FIG. 4

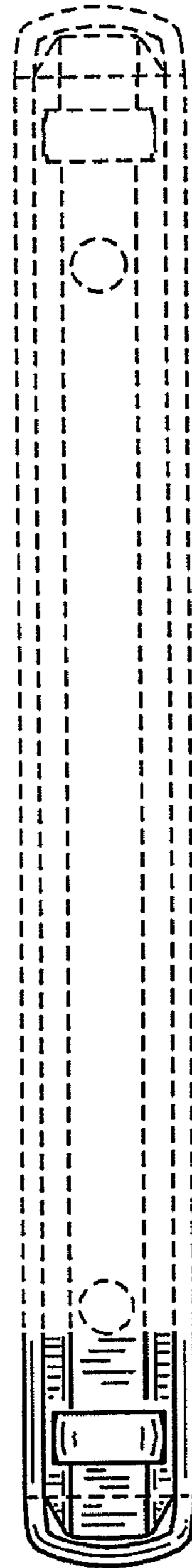


FIG. 5