



US00D565868S

(12) **United States Design Patent**
Matheus et al.

(10) **Patent No.:** **US D565,868 S**

(45) **Date of Patent:** **** Apr. 8, 2008**

(54) **ARMREST FOR FOLDING CHAIR**

(75) Inventors: **Gail R. Matheus**, Towanda, KS (US);
Luke E. Kelly, Augusta, KS (US)

(73) Assignee: **The Coleman Company, Inc.**, Wichita, KS (US)

(**) Term: **14 Years**

(21) Appl. No.: **29/281,589**

(22) Filed: **Jun. 26, 2007**

(51) **LOC (8) Cl.** **06-01**

(52) **U.S. Cl.** **D6/491**

(58) **Field of Classification Search** D6/334–338,
D6/349, 355, 363, 364, 369–370, 381, 491,
D6/500–502, 509, 511, 601; 297/16.1–16.2,
297/116, 135, 154, 187, 158.3, 158.4, 158.5,
297/184.1, 232, 244, 411.37, 440.1, 445.1;
5/12.1, 655.3

See application file for complete search history.

(56) **References Cited**

U.S. PATENT DOCUMENTS

5,984,406	A *	11/1999	Lee	297/16.2
D430,976	S *	9/2000	Tow	D6/374
6,247,748	B1 *	6/2001	Zheng	297/16.2
6,382,715	B1 *	5/2002	Tang	297/16.2
6,382,729	B1 *	5/2002	Wu	297/452.41
6,644,731	B2 *	11/2003	Tang	297/16.2
D486,310	S *	2/2004	Goldy	D6/335
6,733,070	B2 *	5/2004	Chang	297/16.2
6,755,462	B2 *	6/2004	Zheng	297/16.2
6,779,838	B2 *	8/2004	Chang	297/16.2
6,814,408	B2 *	11/2004	Chen	297/284.6
6,899,383	B2 *	5/2005	Hwang	297/16.2
D507,892	S *	8/2005	Zheng	D6/358
D515,830	S *	2/2006	Zheng	D6/358
D516,825	S *	3/2006	Zheng	D6/358

D516,826	S *	3/2006	Zheng	D6/358
D517,819	S *	3/2006	Zheng	D6/358
7,066,534	B2 *	6/2006	Choi	297/16.2
2003/0052518	A1 *	3/2003	Zheng	297/16.2
2003/0057741	A1 *	3/2003	Zheng	297/16.2

* cited by examiner

Primary Examiner—Sandra Snapp

(74) *Attorney, Agent, or Firm*—Leydig, Voit & Mayer, Ltd.

(57) **CLAIM**

The ornamental design for an armrest for folding chair, as shown and described.

DESCRIPTION

FIG. 1 is a side perspective view of a first embodiment of our new armrest for folding chair;

FIG. 2 is a front elevation view thereof;

FIG. 3 is a rear elevation view thereof;

FIG. 4 is a left side elevation view thereof;

FIG. 5 is a right side elevation view thereof;

FIG. 6 is a top plan view thereof;

FIG. 7 is a bottom plan view thereof;

FIG. 8 is a side perspective view of a second embodiment of our new armrest for folding chair;

FIG. 9 is a front elevation view thereof;

FIG. 10 is a rear elevation view thereof;

FIG. 11 is a left side elevation view thereof;

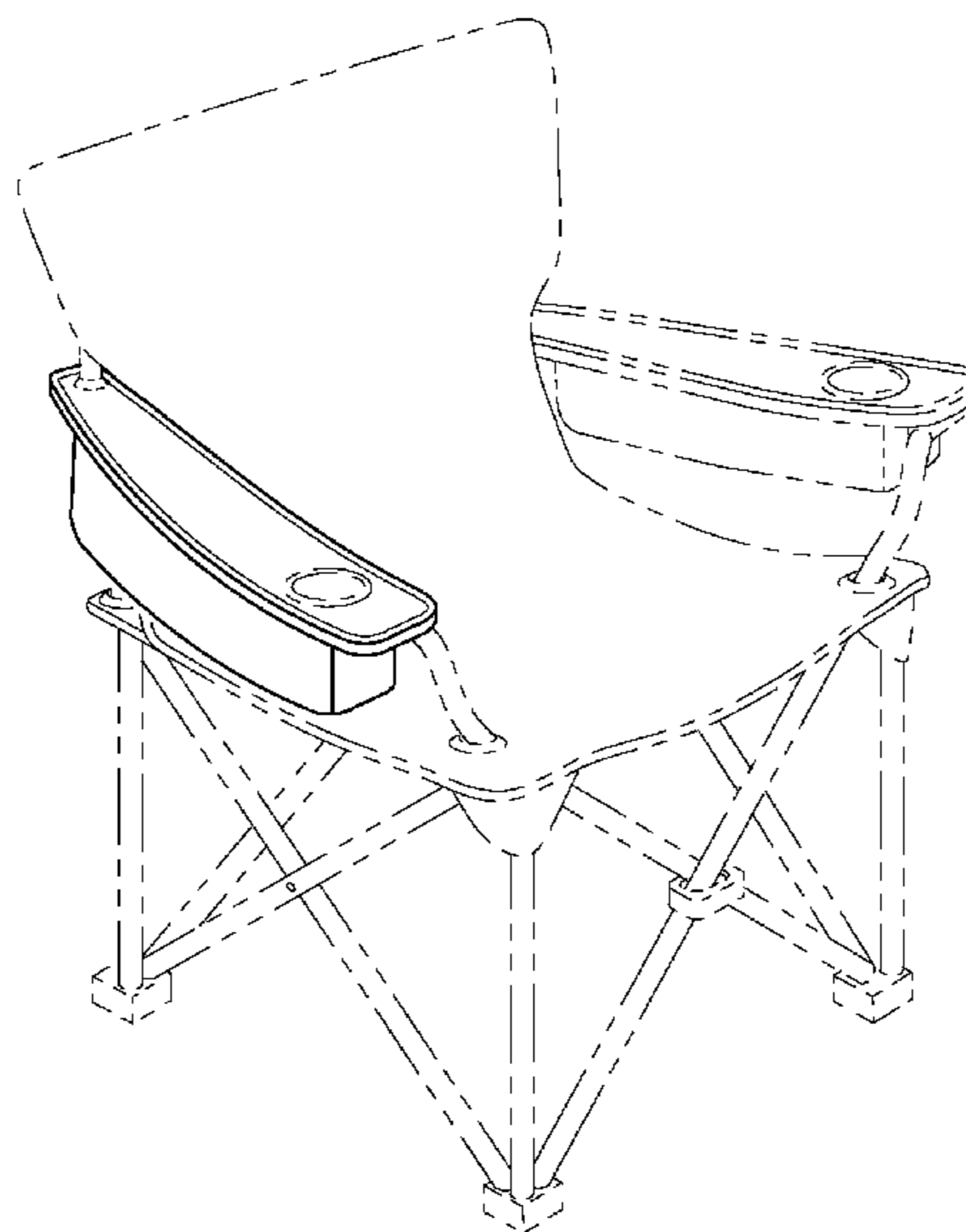
FIG. 12 is a right side elevation view thereof;

FIG. 13 is a top plan view thereof; and,

FIG. 14 is a bottom plan view thereof.

The broken line showing is for illustrative purposes only and forms no part of the claimed design.

1 Claim, 3 Drawing Sheets



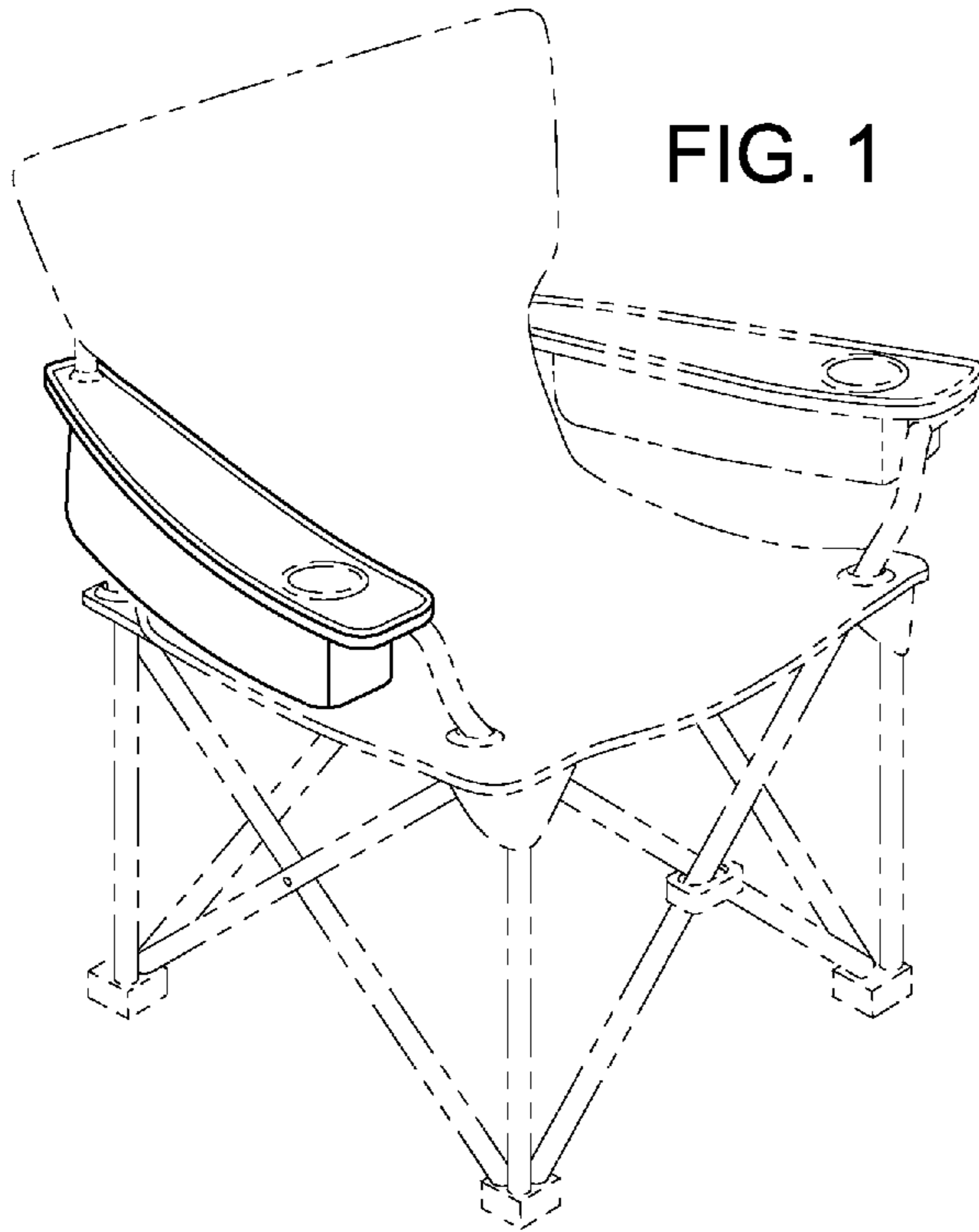


FIG. 1

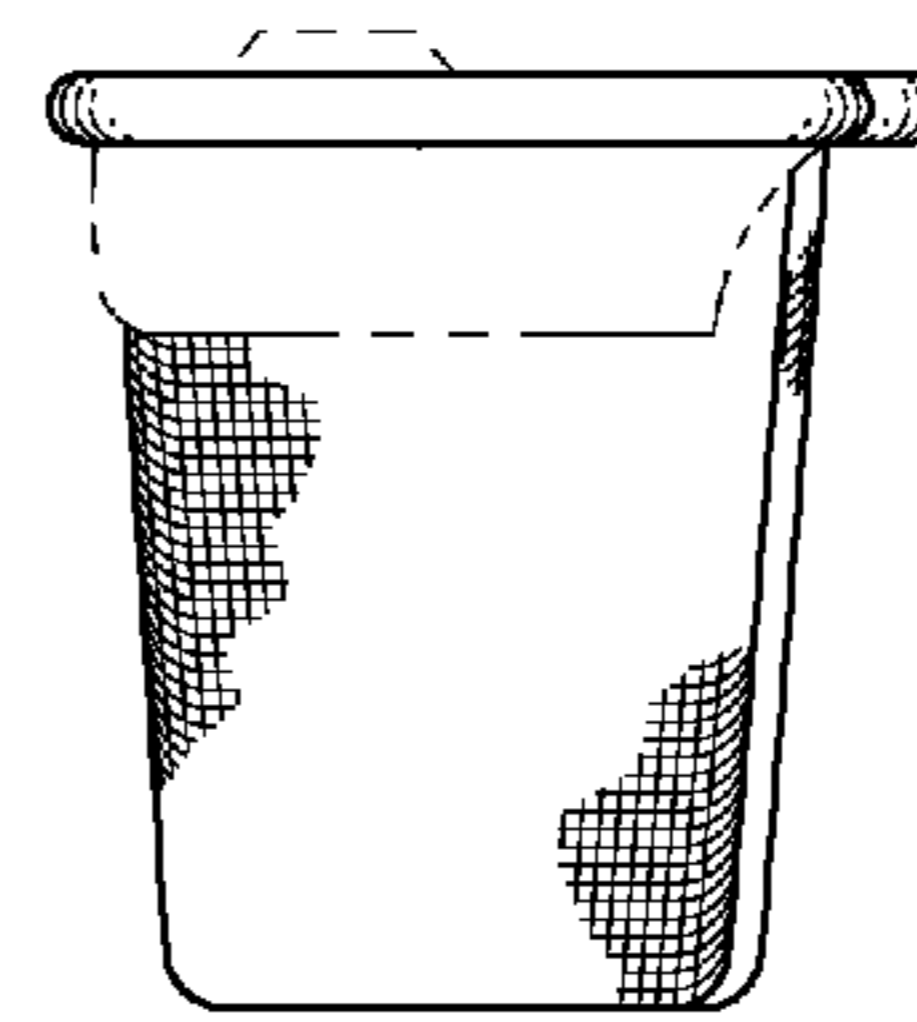


FIG. 2

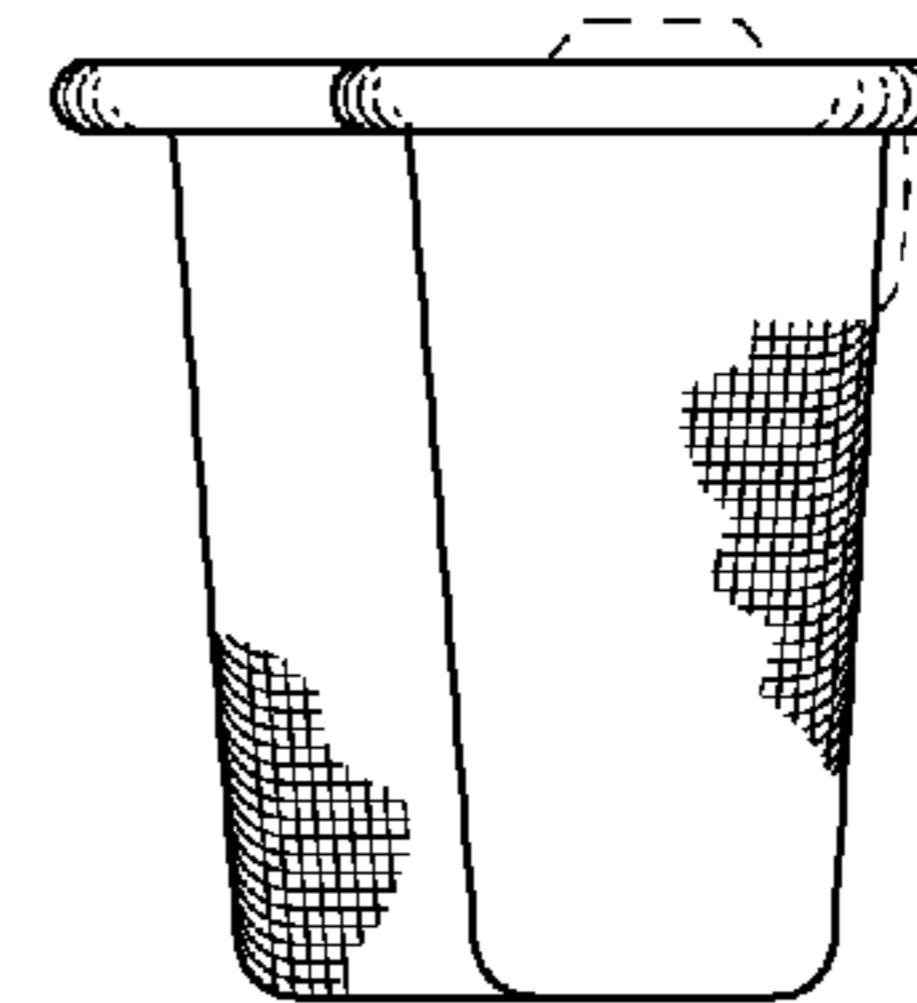


FIG. 3

FIG. 4

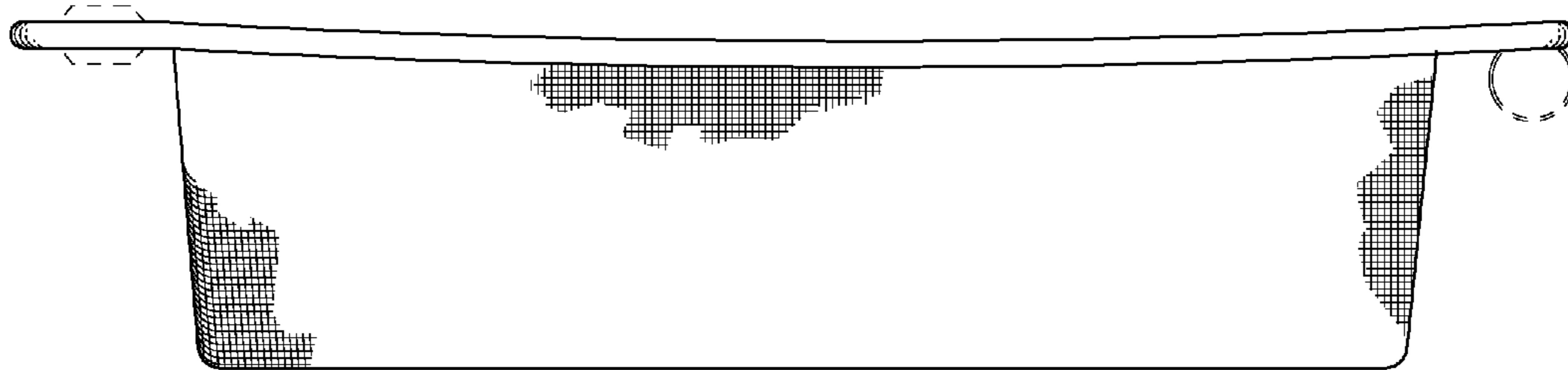


FIG. 5

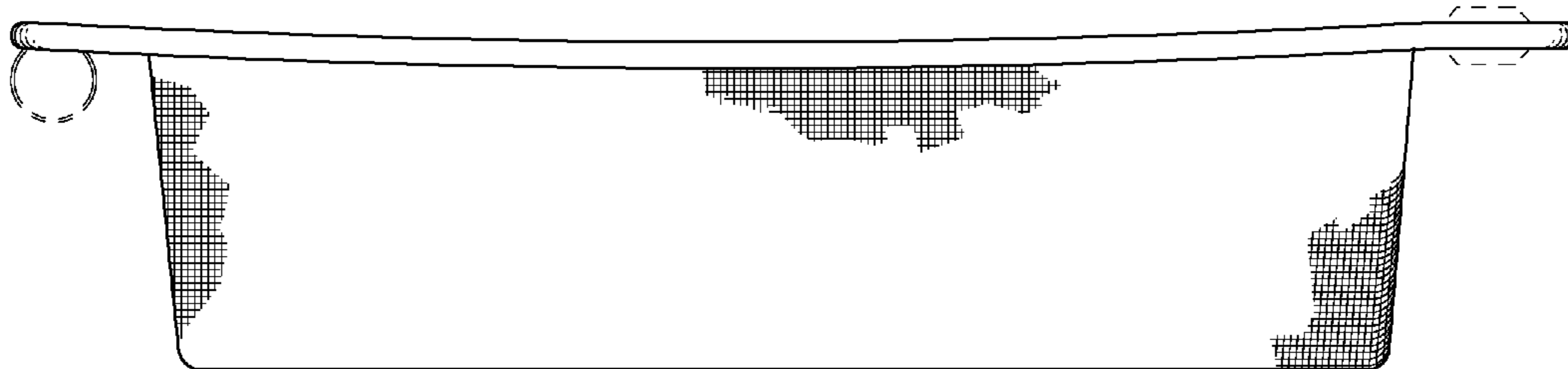


FIG. 6

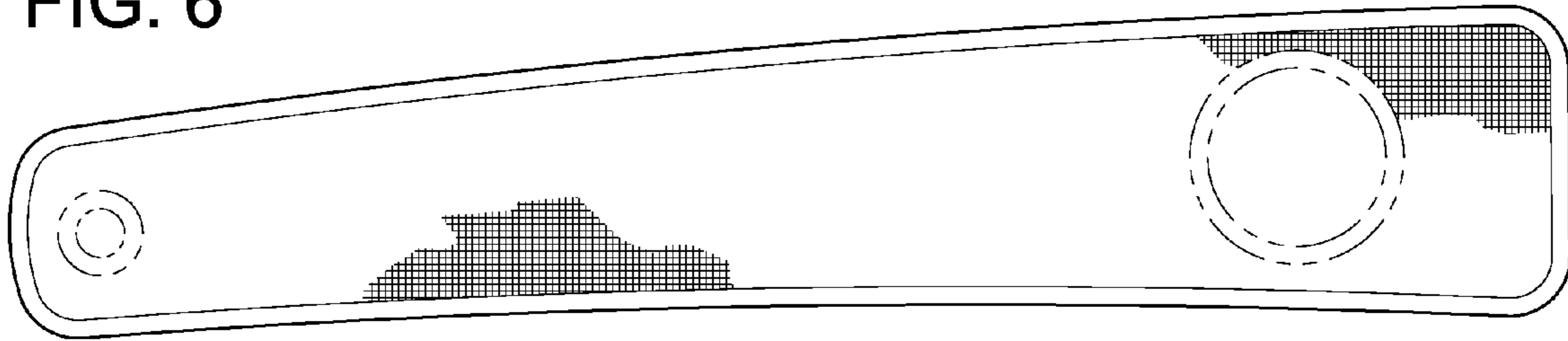


FIG. 7

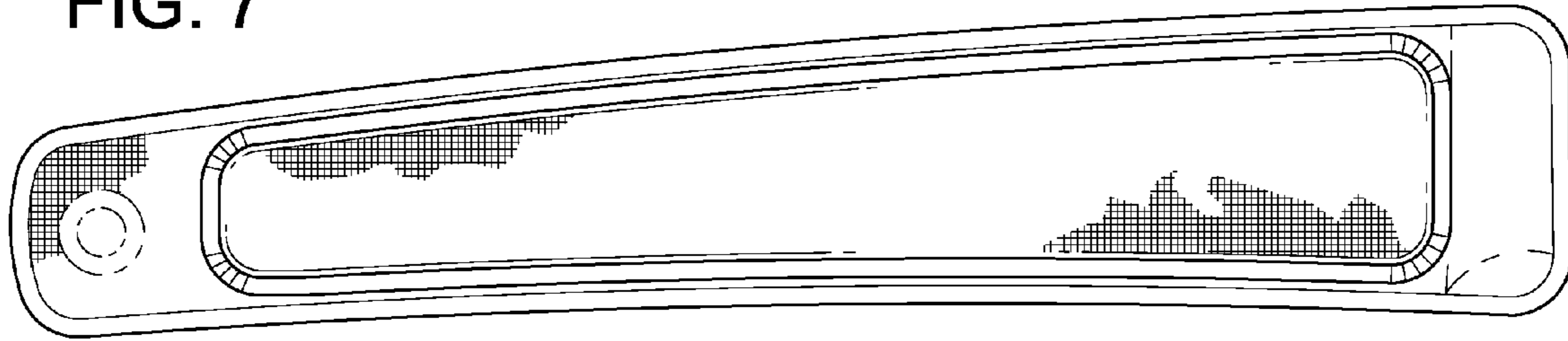


FIG. 8

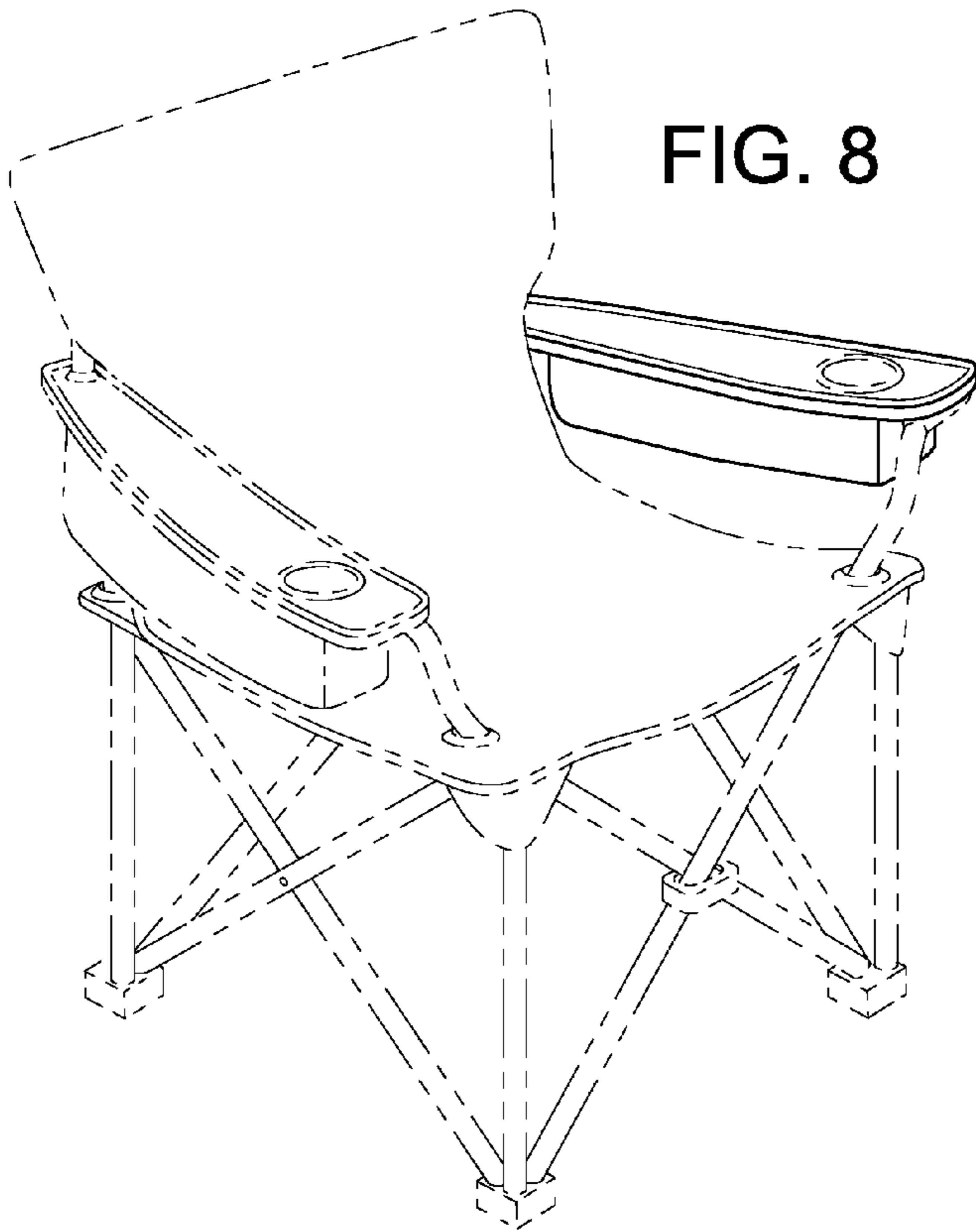


FIG. 9

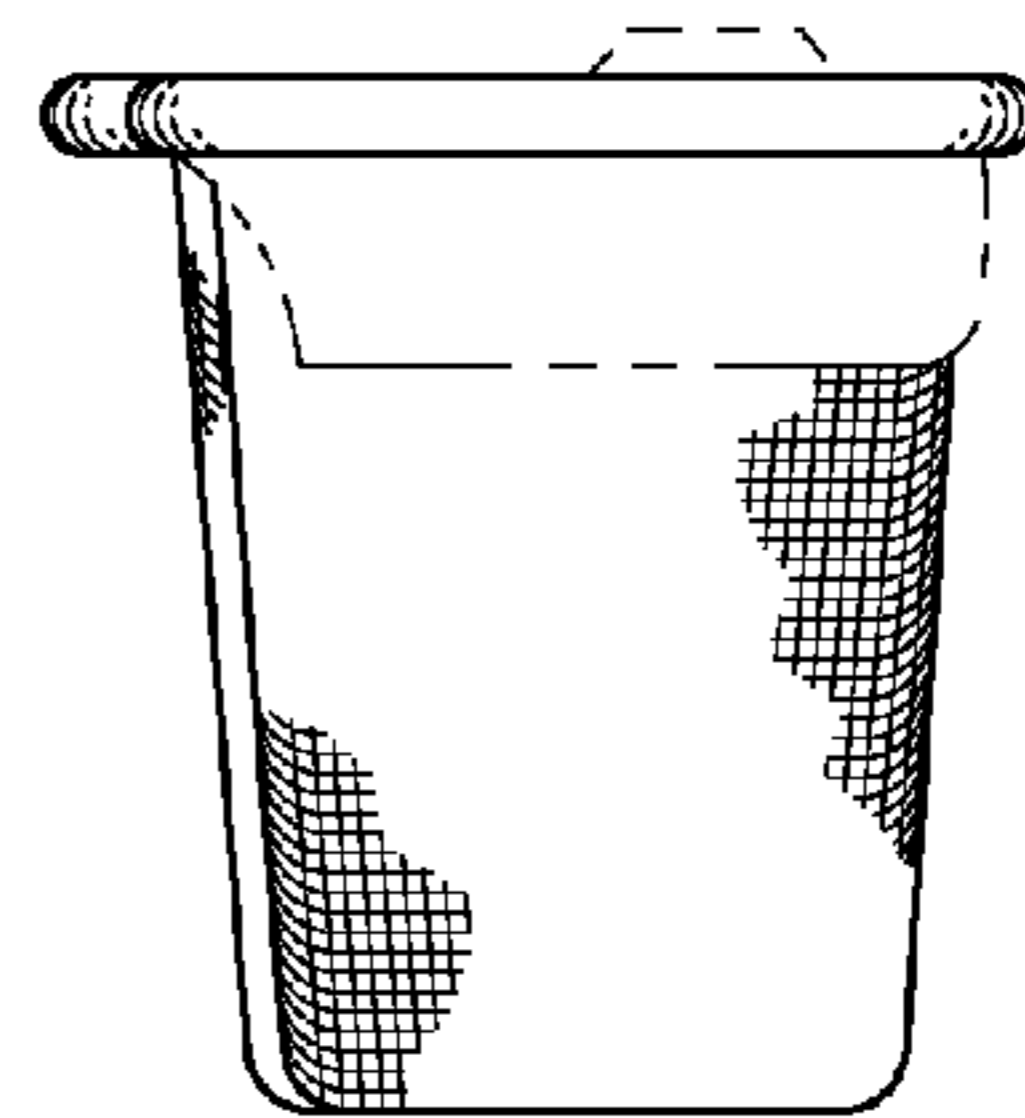


FIG. 10

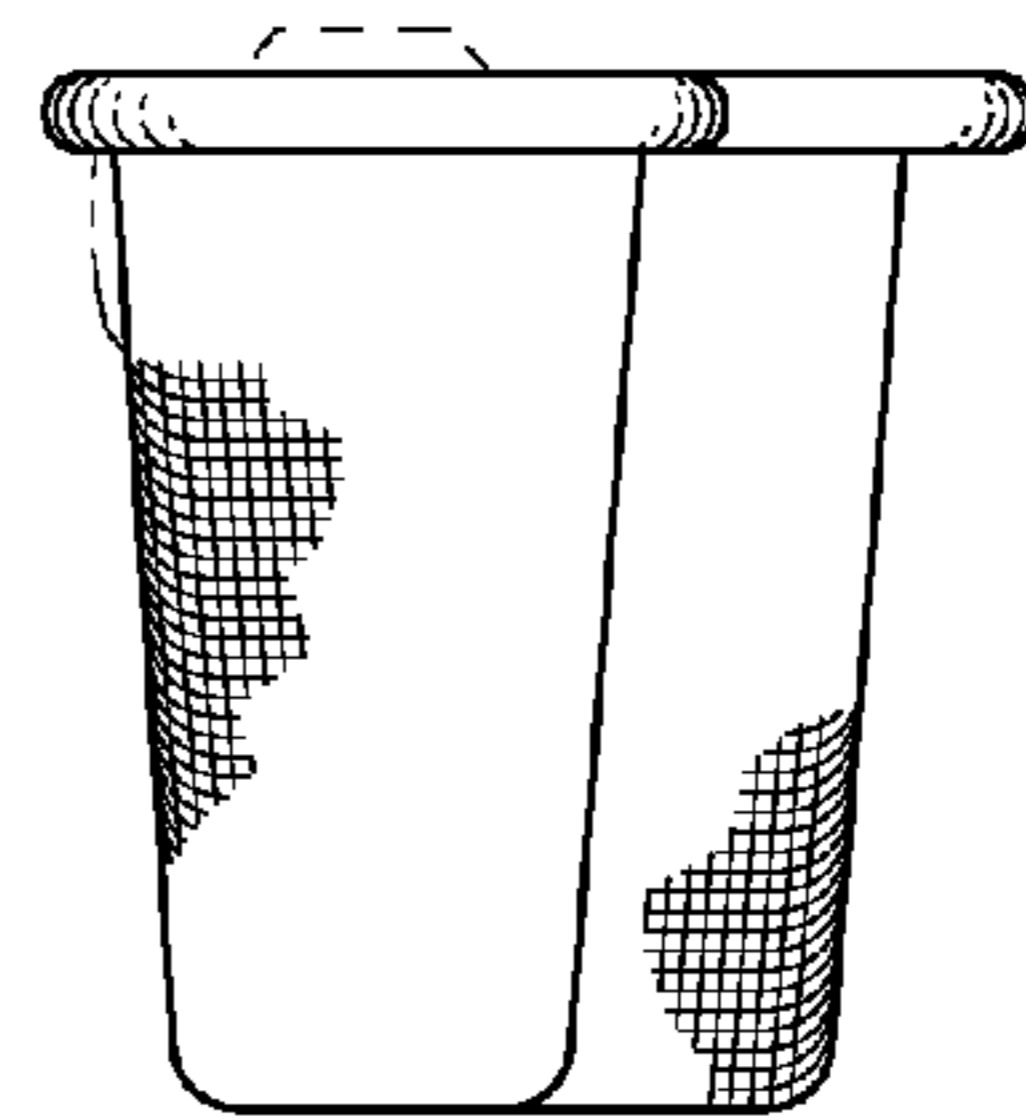


FIG. 11

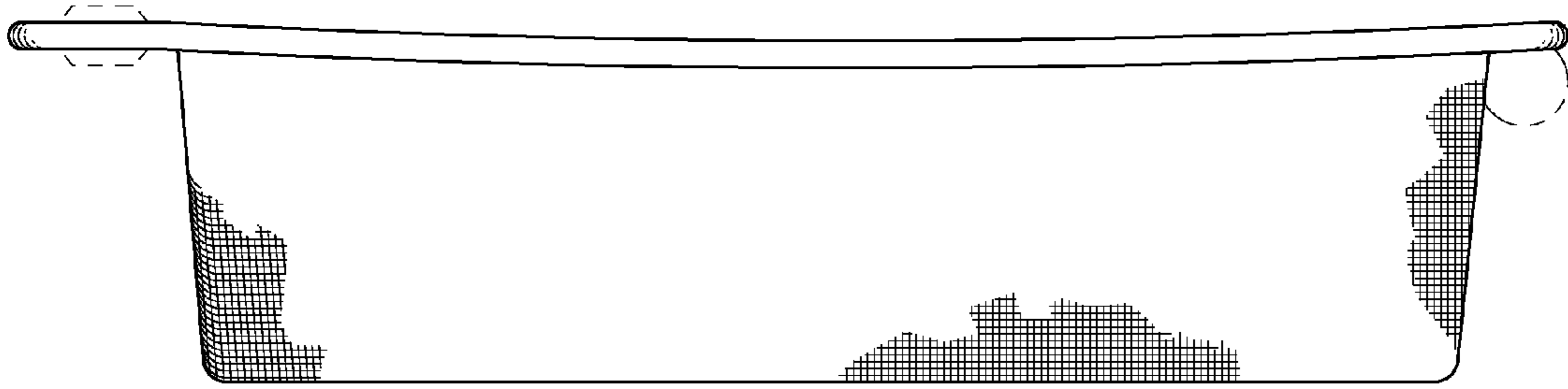


FIG. 12

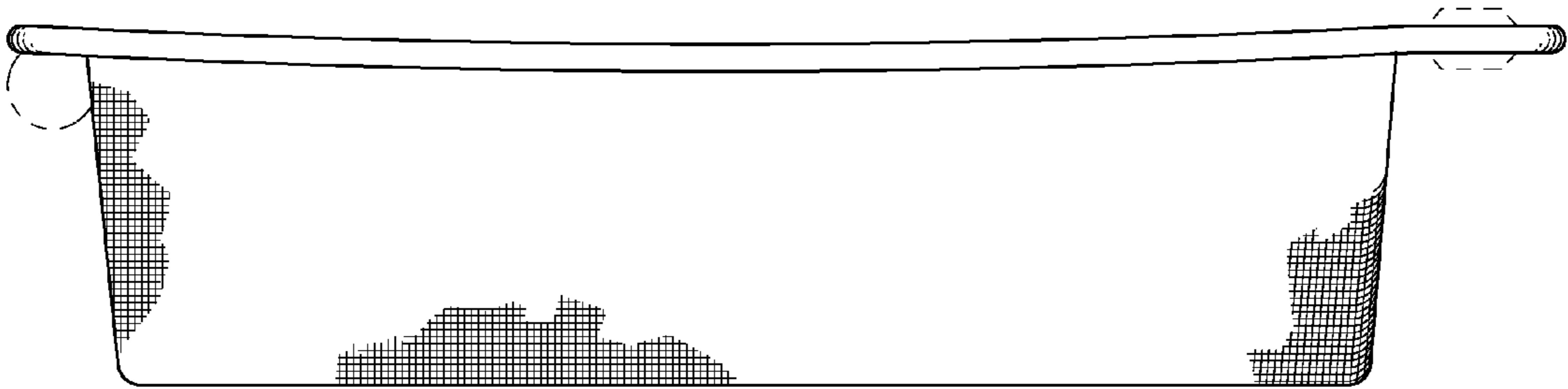


FIG. 13

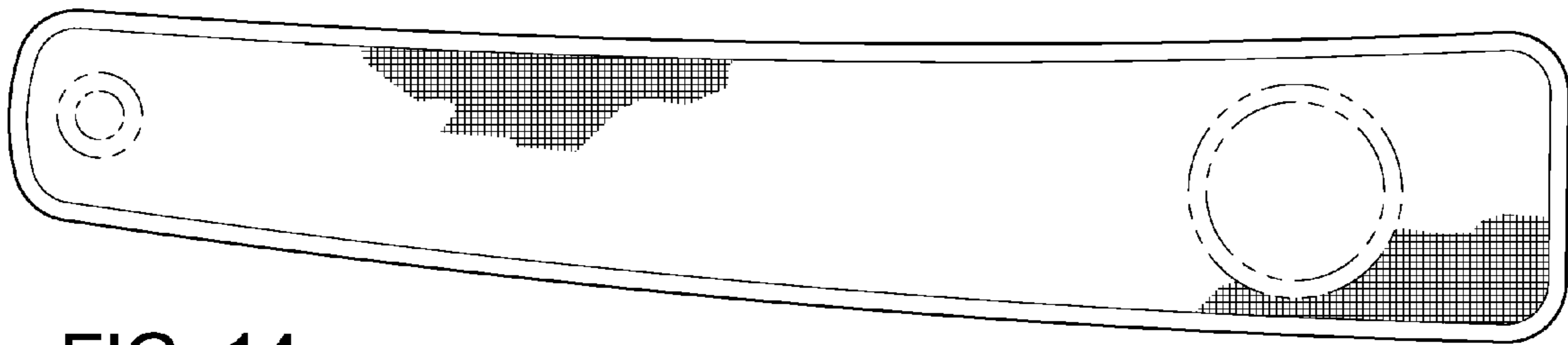


FIG. 14

