



US00D565859S

(12) **United States Design Patent**
Natuzzi

(10) **Patent No.:** **US D565,859 S**
(45) **Date of Patent:** **** Apr. 8, 2008**

- (54) **SOFA**
- (75) Inventor: **Pasquale Natuzzi**, Santeramo in Colle
Bari (IT)
- (73) Assignee: **Natuzzi, S.p.A.**, Bari (IT)
- (**) Term: **14 Years**
- (21) Appl. No.: **29/295,803**
- (22) Filed: **Oct. 6, 2007**

- (51) **LOC (8) Cl.** **06-01**
- (52) **U.S. Cl.** **D6/381**
- (58) **Field of Classification Search** D6/334,
D6/335, 337, 341, 349, 353, 354, 377, 367-369,
D6/381, 383, 492, 500-502; 5/12.1, 12.2;
297/16.1, 232, 16.2, 245, 283.2, 353, 354.1,
297/445.1, 448.1

See application file for complete search history.

(56) **References Cited**

U.S. PATENT DOCUMENTS

- D426,397 S * 6/2000 Nicoletti D6/381
- D466,325 S * 12/2002 Nicoletti D6/381
- D467,091 S * 12/2002 Natuzzi et al. D6/381
- D498,942 S * 11/2004 Ricci D6/381
- D519,744 S * 5/2006 Nicoletti D6/381

- D524,073 S * 7/2006 Nicoletti D6/381
- D532,622 S * 11/2006 Nastri D6/381

OTHER PUBLICATIONS

Natuzzi sofa #1677, International Home Furnishings Market, High Point, NC, Oct. 1998.*
Natuzzi sofa #1727, International Home Furnishings Market, High Point, NC, 1998.*

* cited by examiner

Primary Examiner—Sandra Snapp

(74) *Attorney, Agent, or Firm*—Egbert Law Offices

(57) **CLAIM**

The ornamental design for a sofa, as shown and described.

DESCRIPTION

FIG. 1 is a front elevation view of the sofa showing my design.

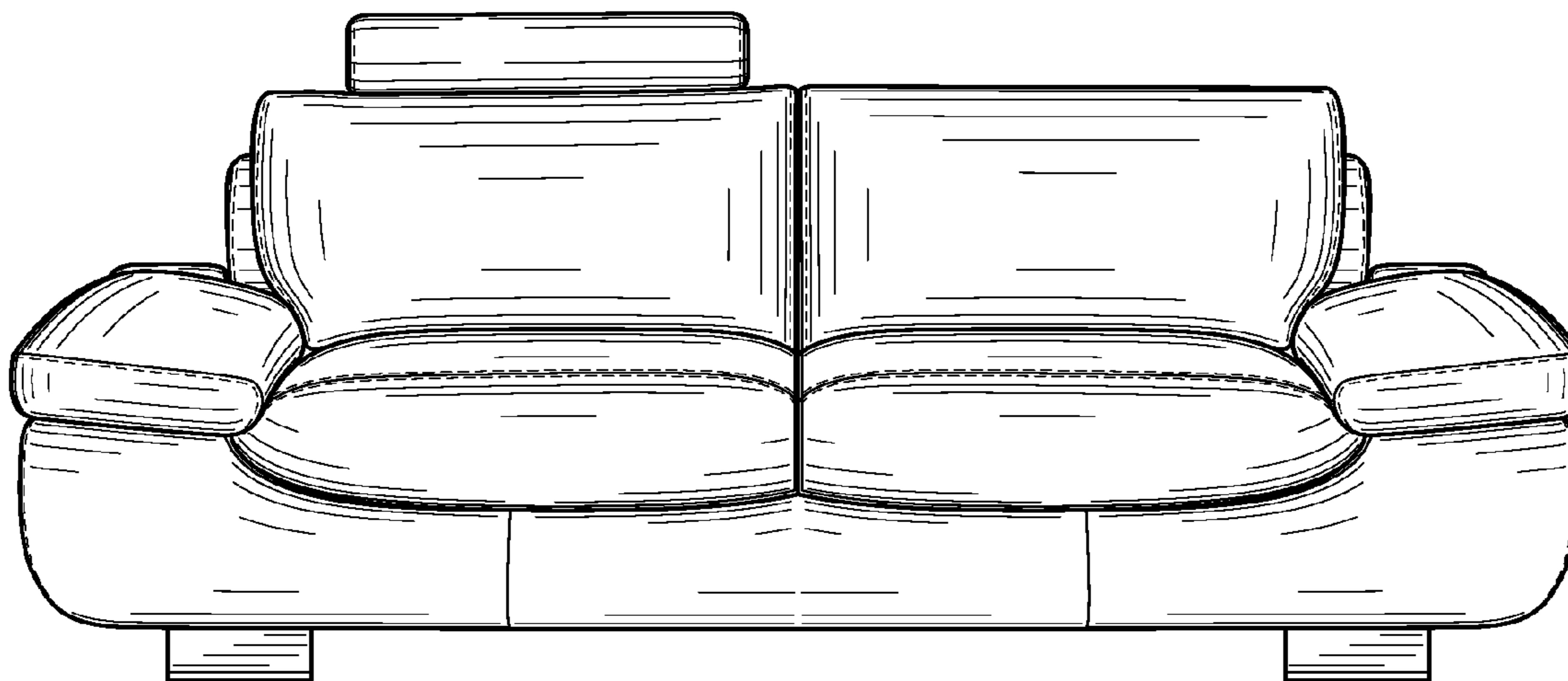
FIG. 2 is top plan view thereof;

FIG. 3 is a back perspective view thereof; and,

FIG. 4 is a side view thereof, an opposite side view being a mirror image thereof.

The broken lines shown on the sofa are understood to represent stitching.

1 Claim, 2 Drawing Sheets



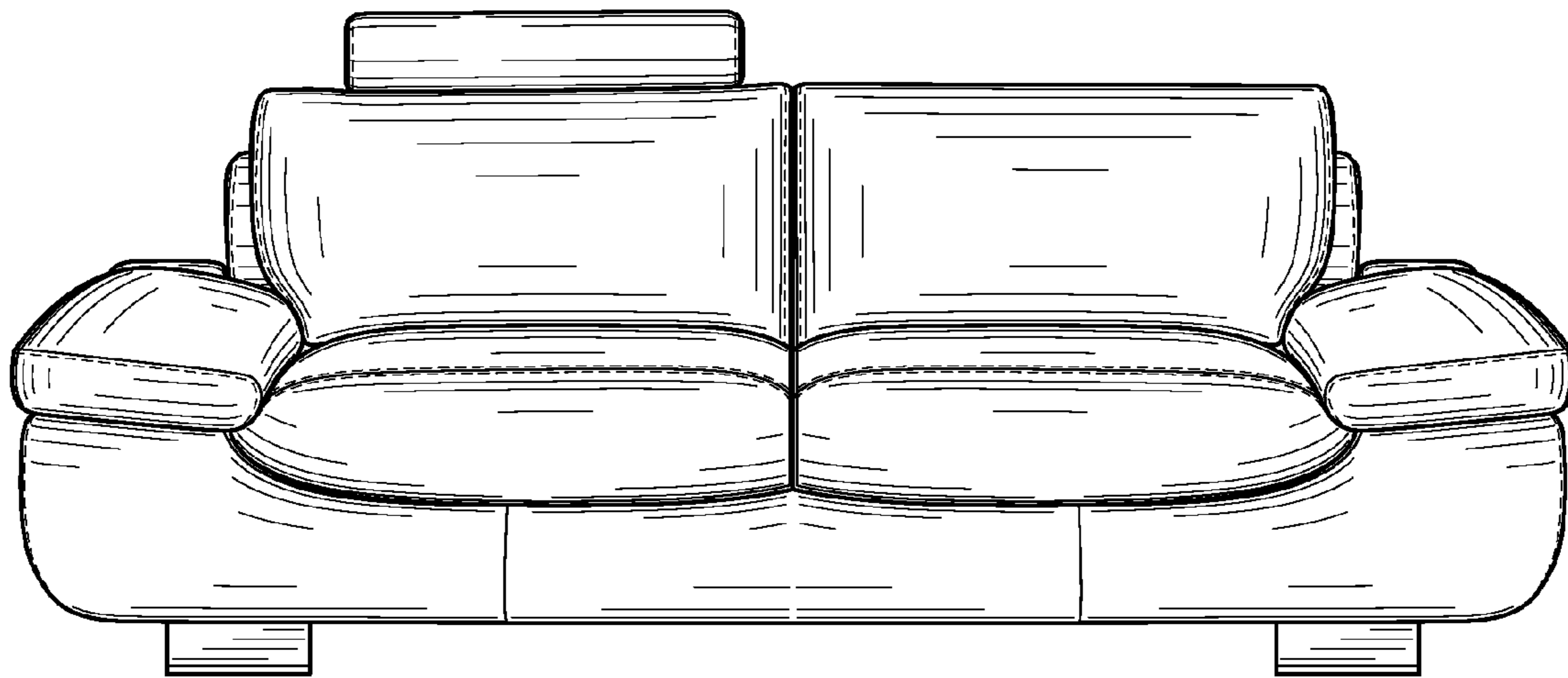


FIG. 1

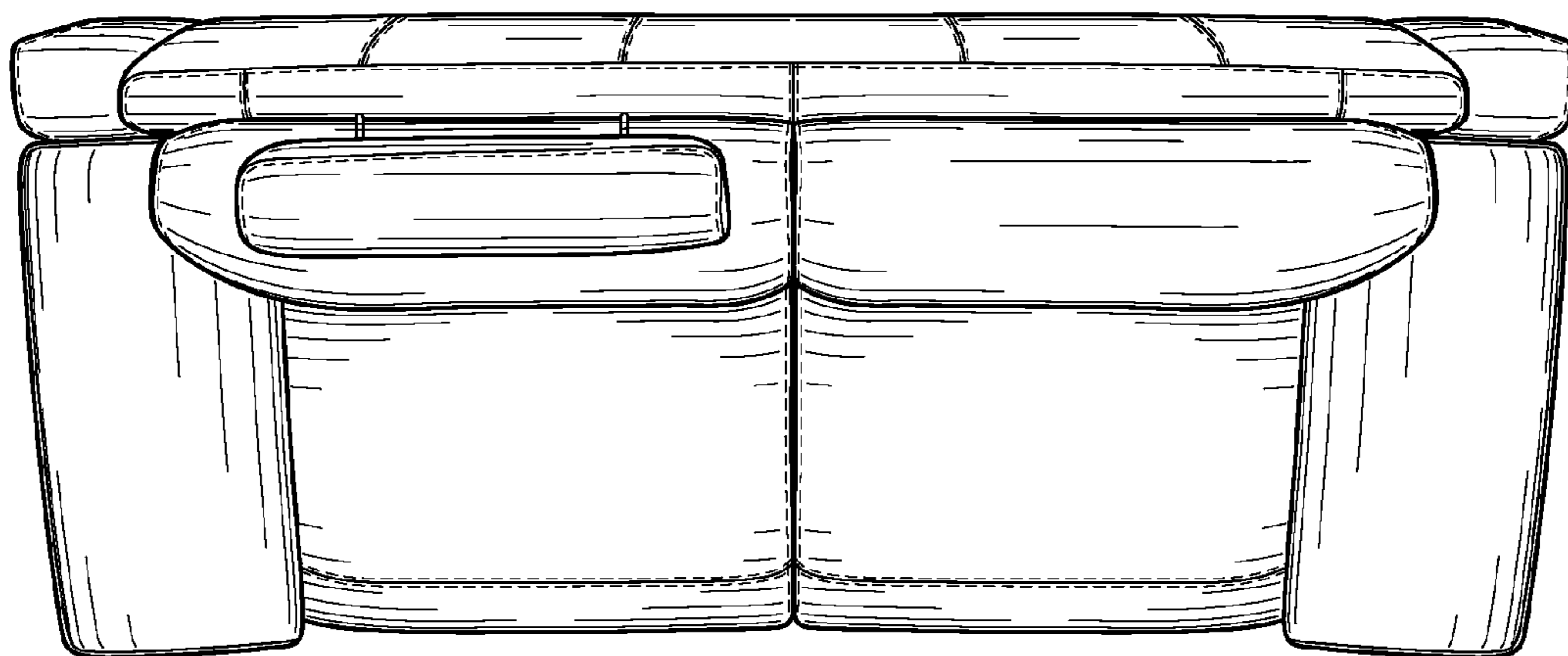


FIG. 2

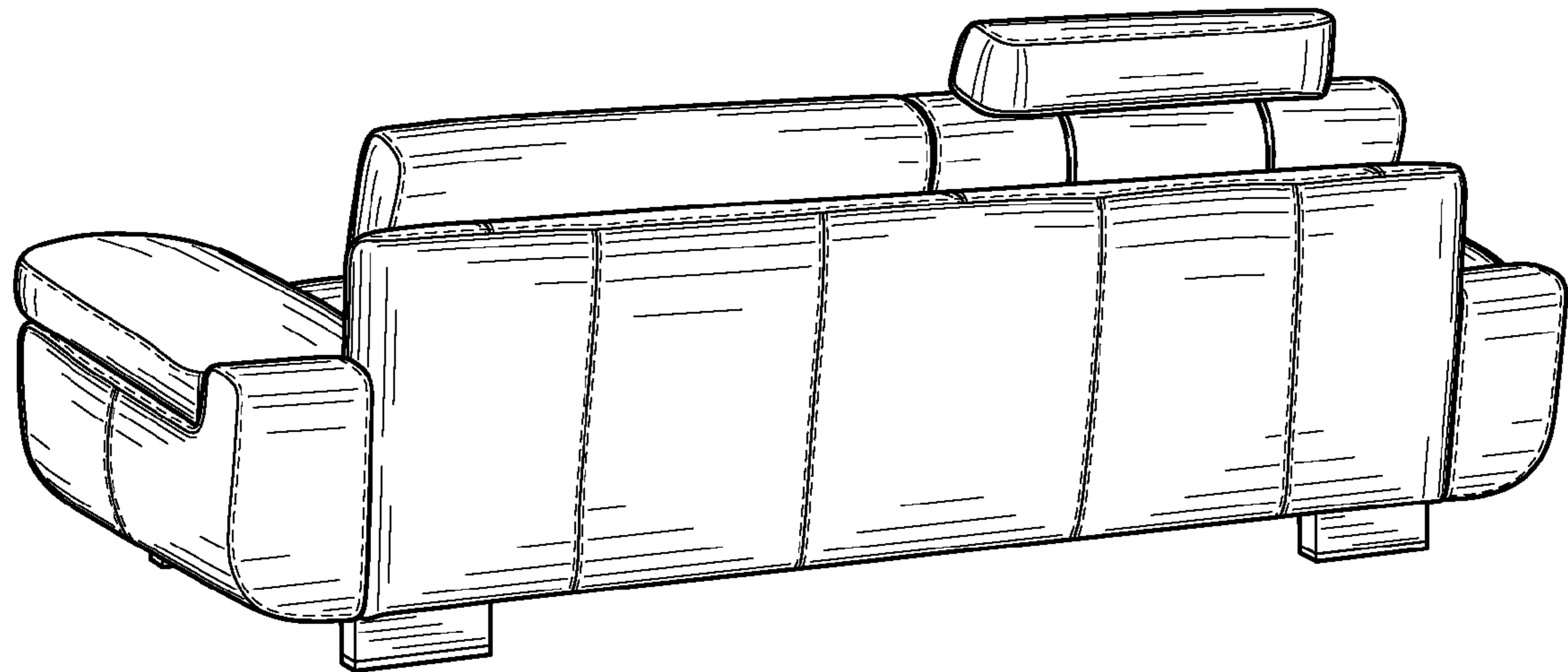


FIG. 3

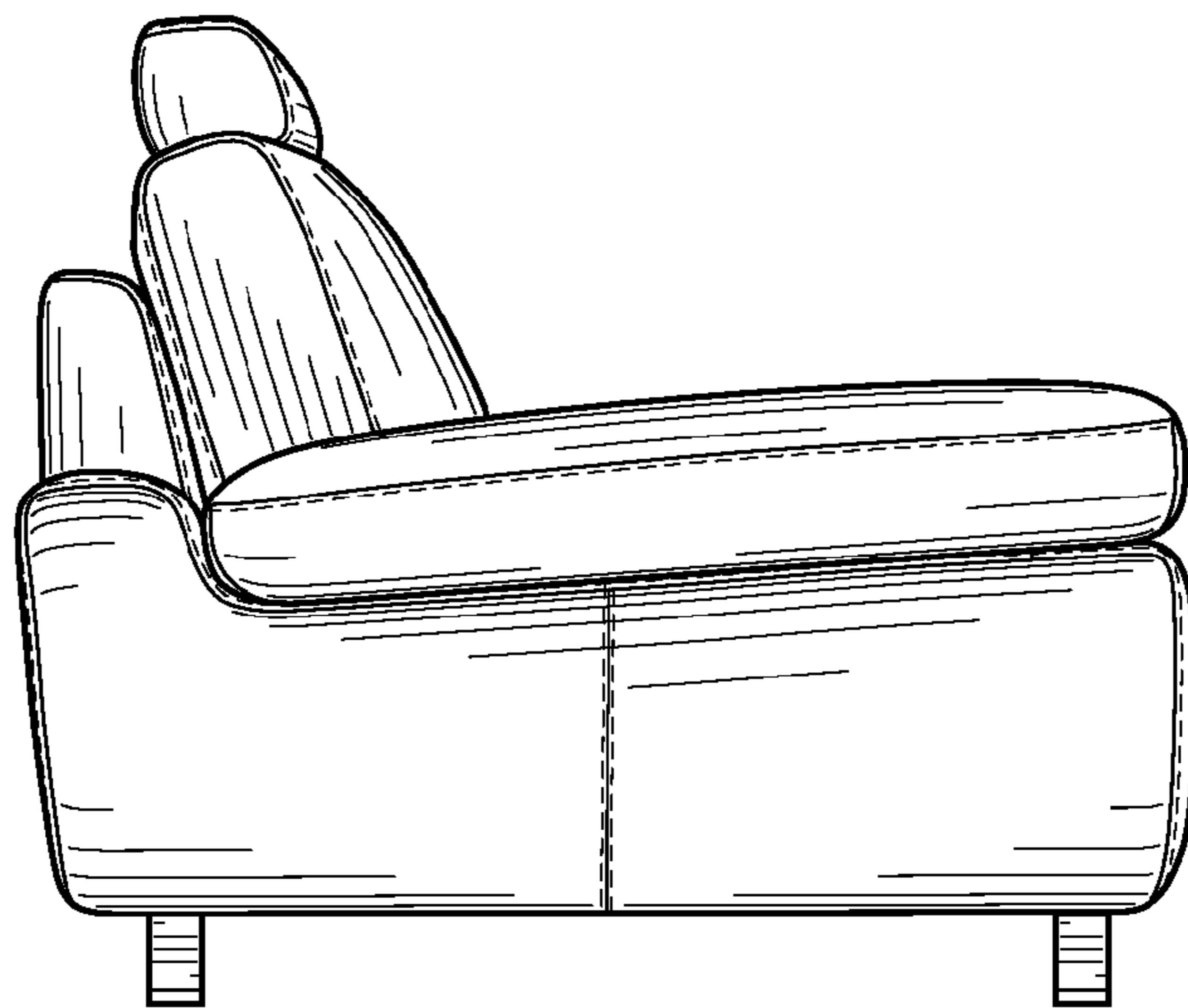


FIG. 4