



US00D565857S

(12) **United States Design Patent** (10) **Patent No.:** **US D565,857 S**
Nemschoff (45) **Date of Patent:** **** Apr. 8, 2008**

(54) **SEATING UNIT**

(75) Inventor: **Mark Nemschoff**, Sheboygan, WI (US)

(73) Assignee: **Nemschoff Chairs, Inc.**, Sheboygan, WI (US)

(**) Term: **14 Years**

(21) Appl. No.: **29/288,508**

(22) Filed: **Jun. 12, 2007**

Related U.S. Application Data

(62) Division of application No. 29/217,030, filed on Nov. 12, 2004, now Pat. No. Des. 544,237.

(51) **LOC (8) Cl.** **06-01**

(52) **U.S. Cl.** **D6/381**

(58) **Field of Classification Search** D6/349-353,
D6/355, 364, 484, 334, 500-502, 381, 369,
D6/376, 495; 297/232-233, 445.1, 446.1,
297/184.1; 5/15.1

See application file for complete search history.

(56) **References Cited**

U.S. PATENT DOCUMENTS

D263,657 S *	4/1982	Saporiti	D6/381
D263,770 S *	4/1982	Melchior	D6/334
D347,747 S *	6/1994	Hopfer	D6/381
D369,480 S *	5/1996	Natuzzi et al.	D6/381
D383,326 S *	9/1997	Hopfer	D6/381
D467,091 S *	12/2002	Natuzzi et al.	D6/381
D474,908 S *	5/2003	Ricci	D6/381
D474,914 S *	5/2003	Ricci	D6/381
D487,996 S *	4/2004	Natuzzi	D6/381
D498,942 S *	11/2004	Ricci	D6/381
D499,263 S *	12/2004	Ricci	D6/381
D515,334 S *	2/2006	Natuzzi	D6/381
D525,451 S *	7/2006	Natuzzi	D6/381

Primary Examiner—Sandra Snapp

(74) *Attorney, Agent, or Firm*—Reinhart Boerner Van Deuren S C

(57) **CLAIM**

The ornamental design for a seating unit, as shown and described.

DESCRIPTION

FIG. 1 is a perspective view of a first embodiment of a seating unit showing my new design;

FIG. 2 is a front elevational view of the seating unit illustrated in FIG. 1;

FIG. 3 is a left-side elevational view of the seating unit illustrated in FIGS. 1-2, with the right-side elevational view being the mirror image;

FIG. 4 is a top plan view of the seating unit illustrated in FIGS. 1-3

FIG. 5 is a rear elevational view of the seating unit illustrated in FIGS. 1-4;

FIG. 6 is a bottom plan view of the seating unit illustrated in FIGS. 1-5;

FIG. 7 is a perspective view of another embodiment of a seating unit showing my new design;

FIG. 8 is a front elevational view of the seating unit of FIG. 7;

FIG. 9 is a left-side elevational view of the seating unit illustrated in FIGS. 7-8, with the right-side elevational view being the mirror image thereof;

FIG. 10 is a top plan view of the seating unit illustrated in FIGS. 7-9;

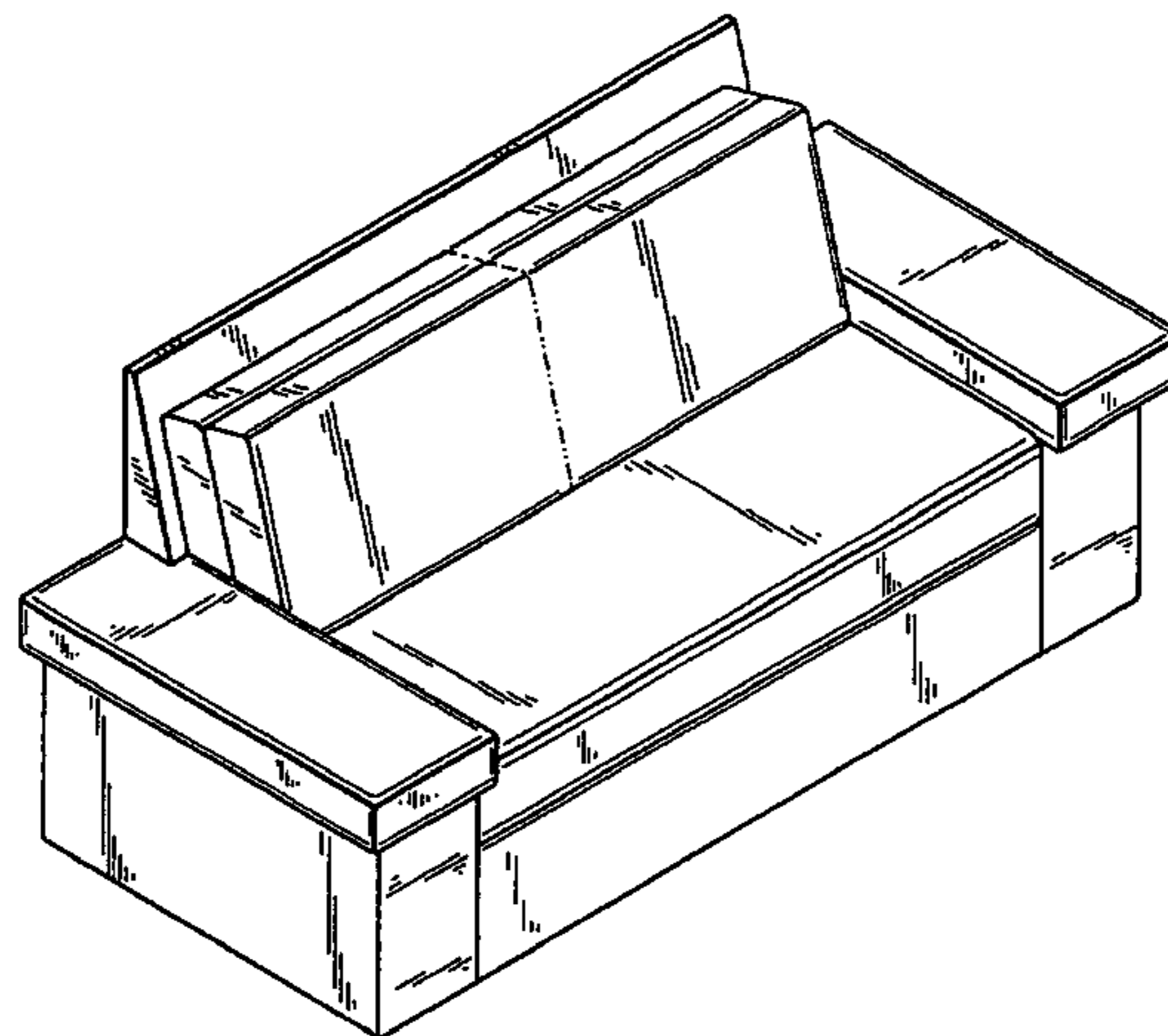
FIG. 11 is a rear elevational view of the seating unit illustrated in FIGS. 7-10; and,

FIG. 12 is a bottom plan view of the seating unit illustrated in FIGS. 7-11.

The detail shown in broken lines is for illustrative purposes only and forms no part of the claimed design.

(Continued)

1 Claim, 4 Drawing Sheets



US D565,857 S

Page 2

U.S. PATENT DOCUMENTS

D543,045 S	*	5/2007	Ricci	D6/381	D549,483 S	*	8/2007	Natuzzi	D6/381
D543,047 S	*	5/2007	Ricci	D6/381	D552,862 S	*	10/2007	Natuzzi	D6/381
D548,997 S	*	8/2007	Nicoletti	D6/381	D552,864 S	*	10/2007	Natuzzi	D6/381

* cited by examiner

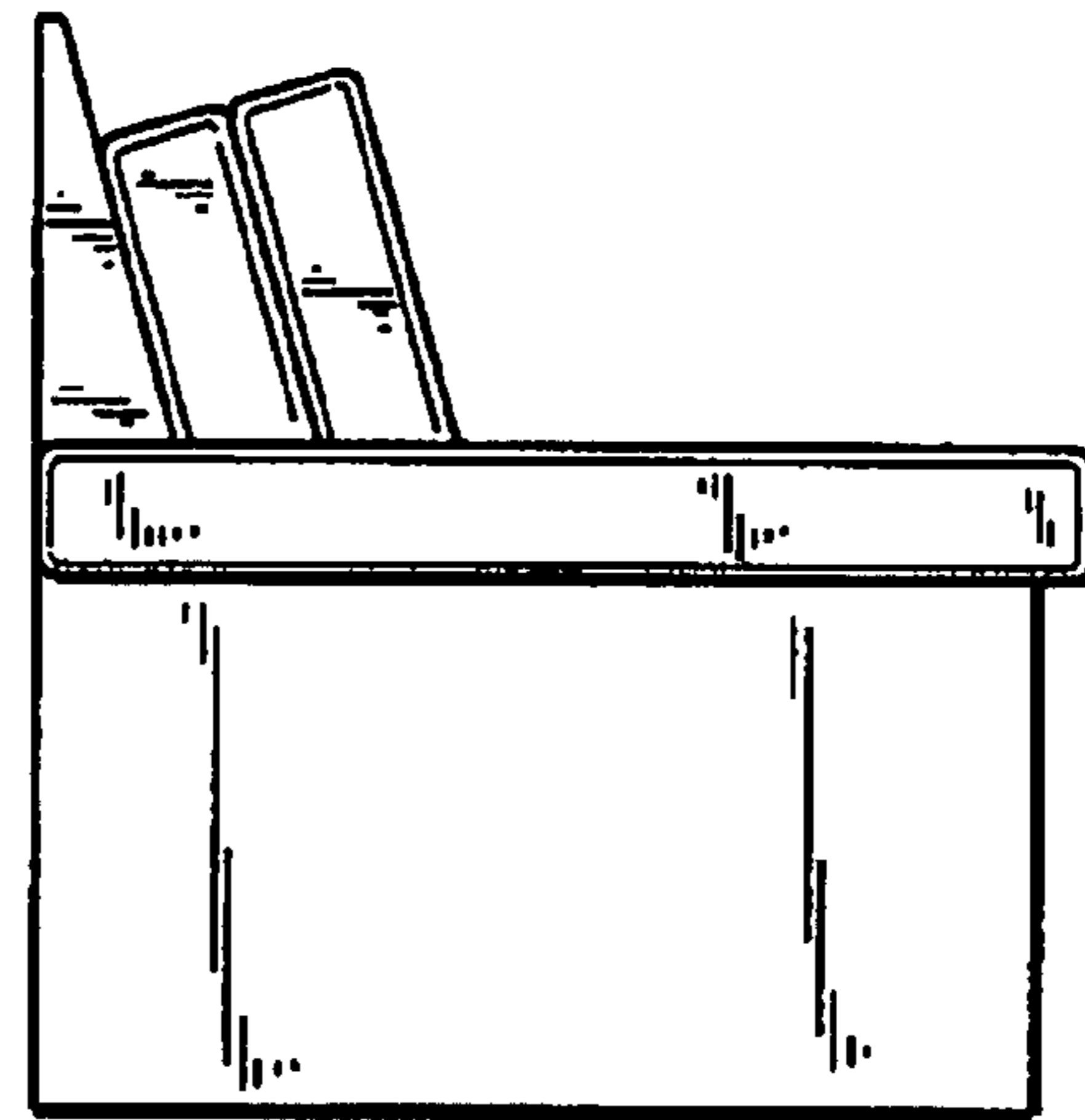
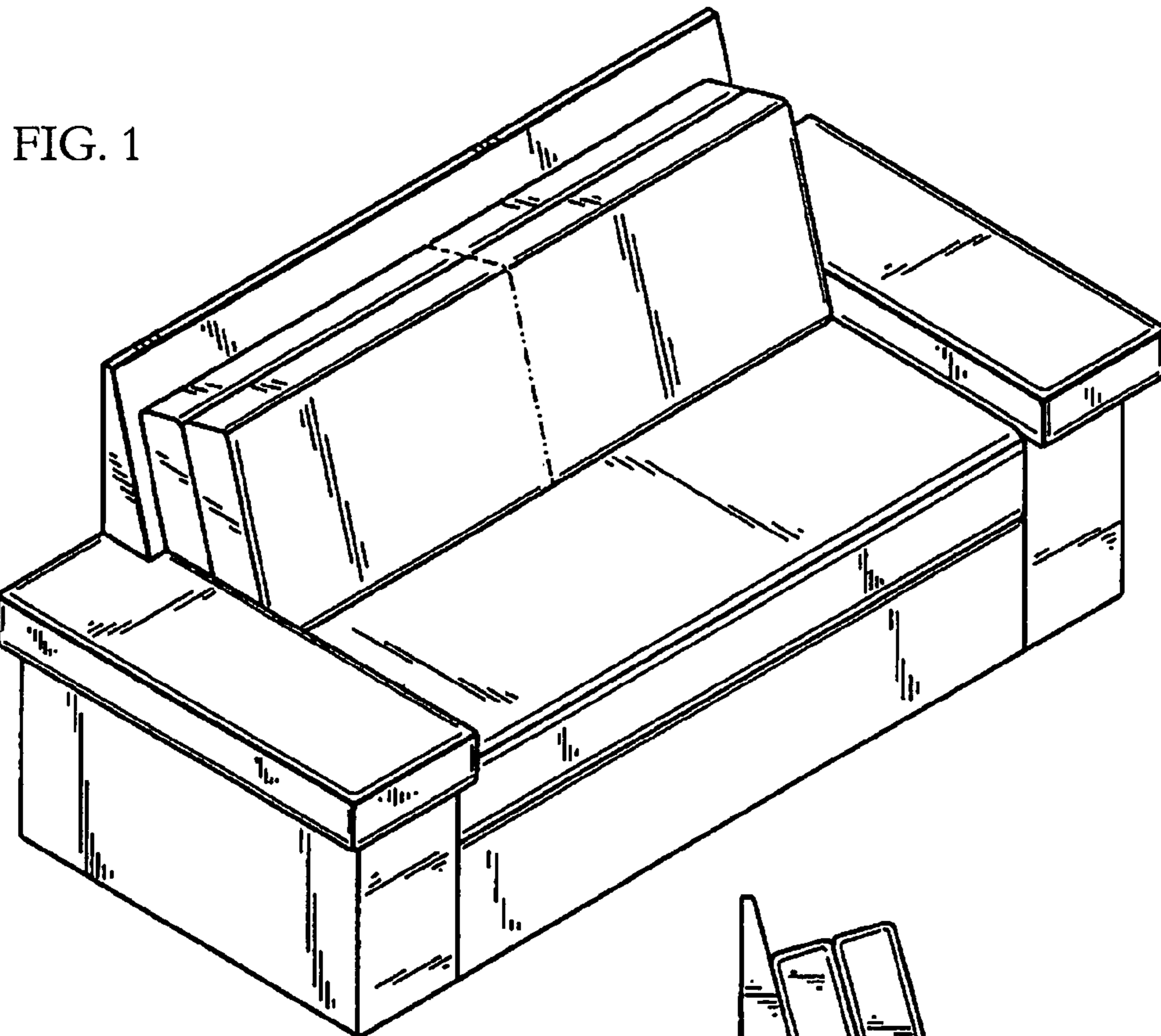


FIG. 2

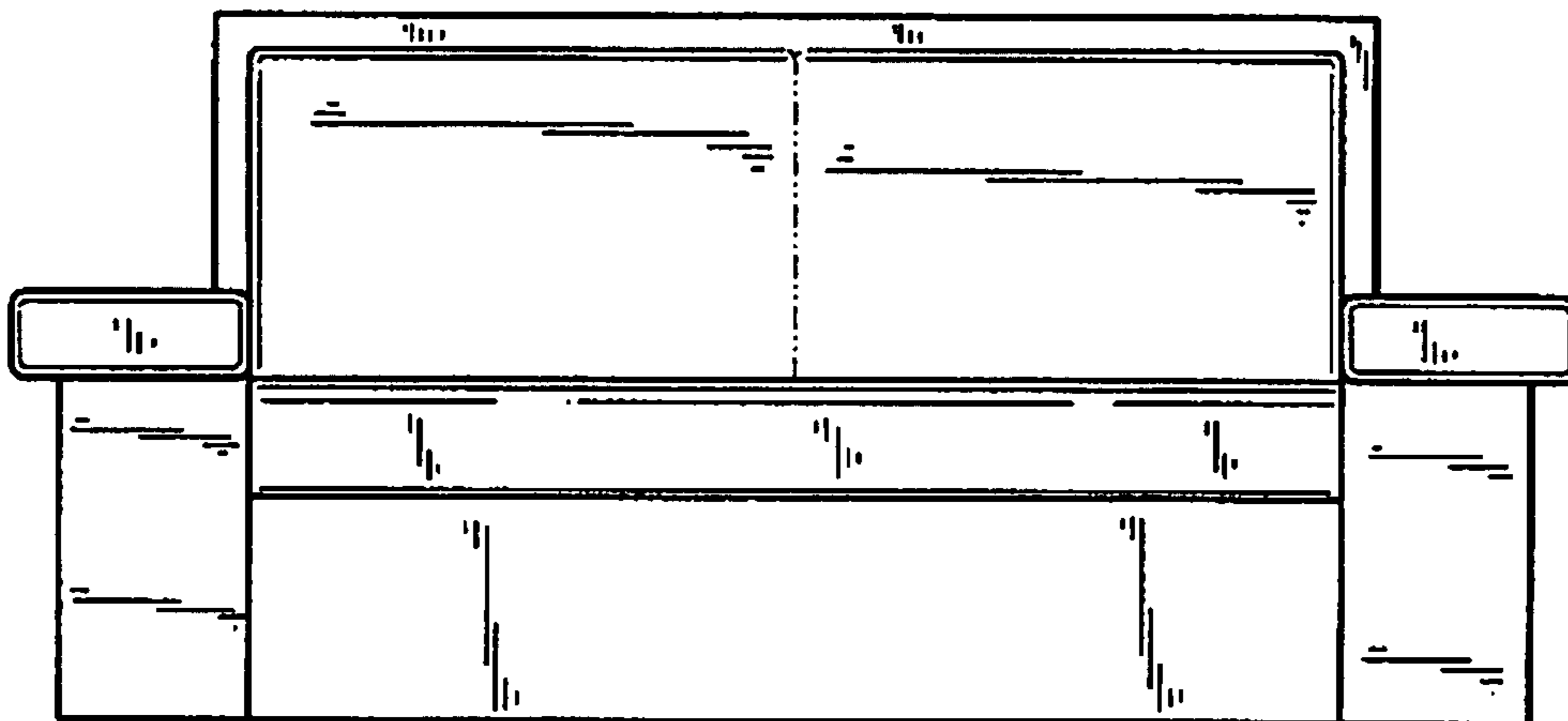


FIG. 4

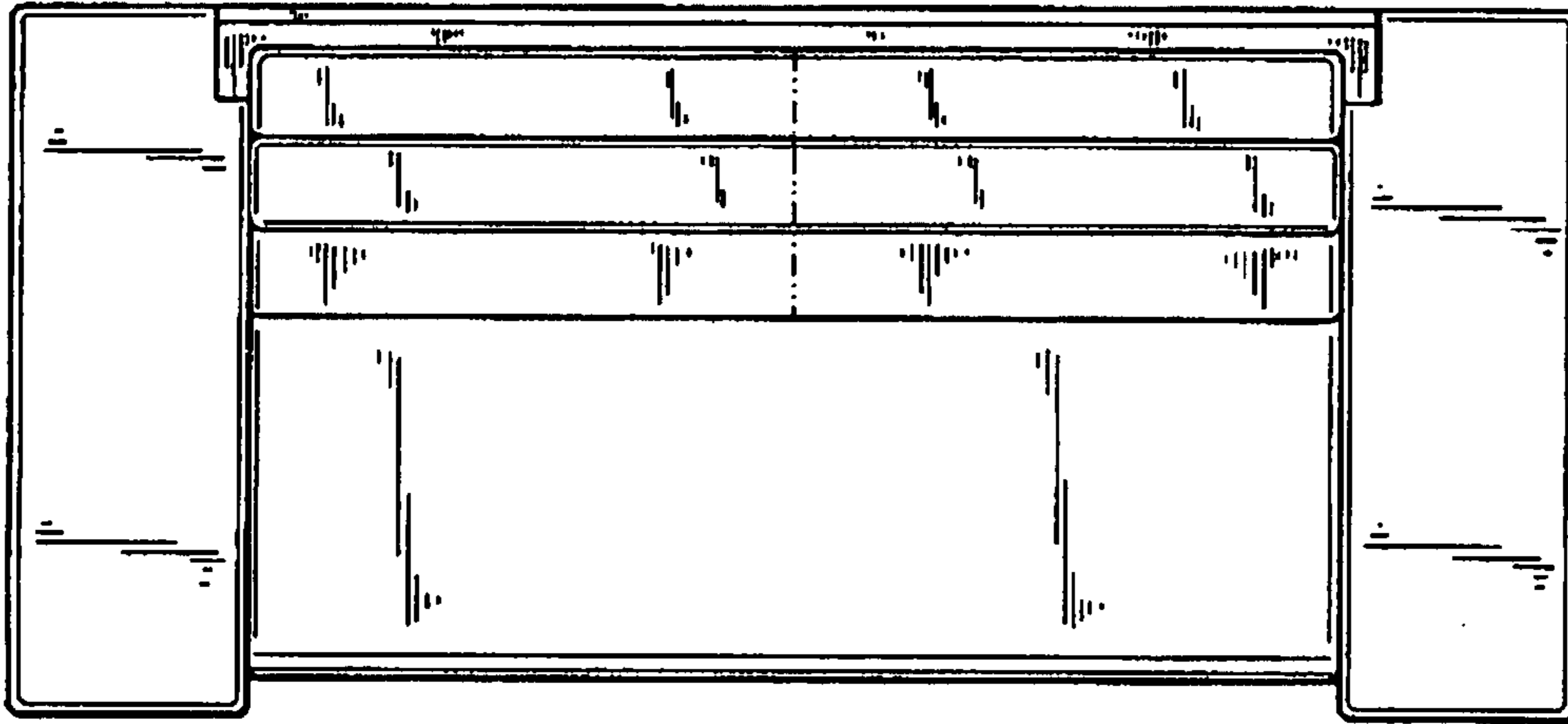


FIG. 5

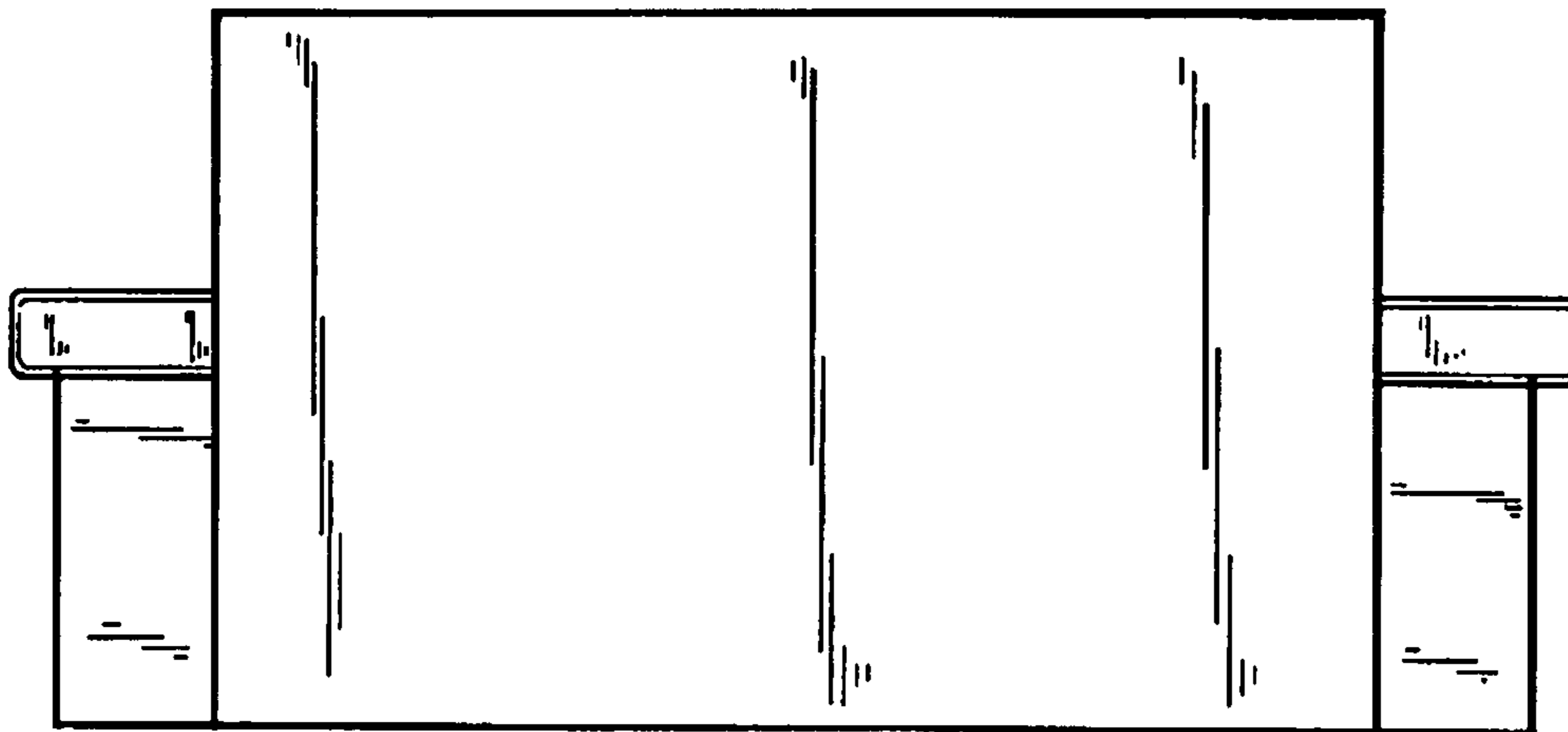
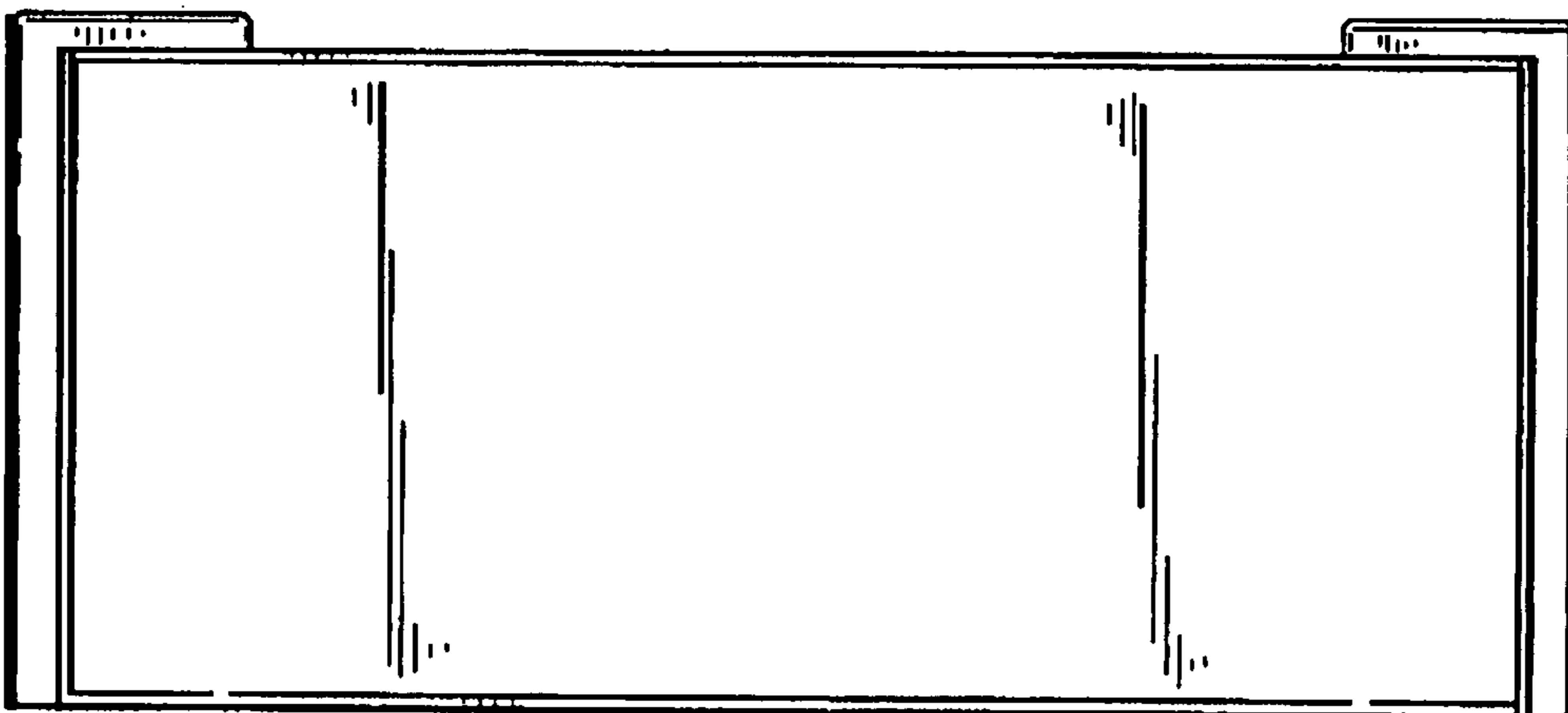


FIG. 6



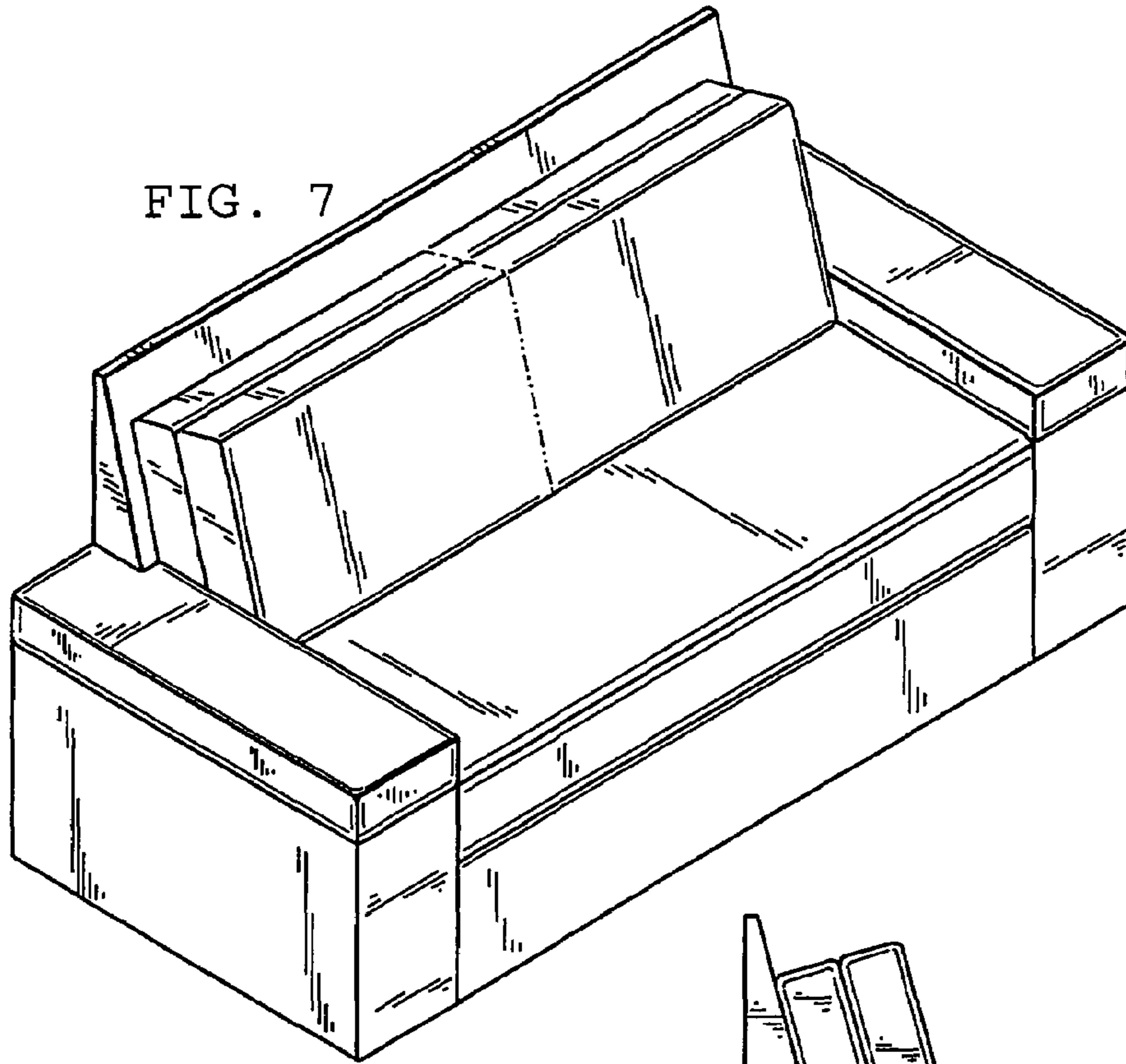


FIG. 7

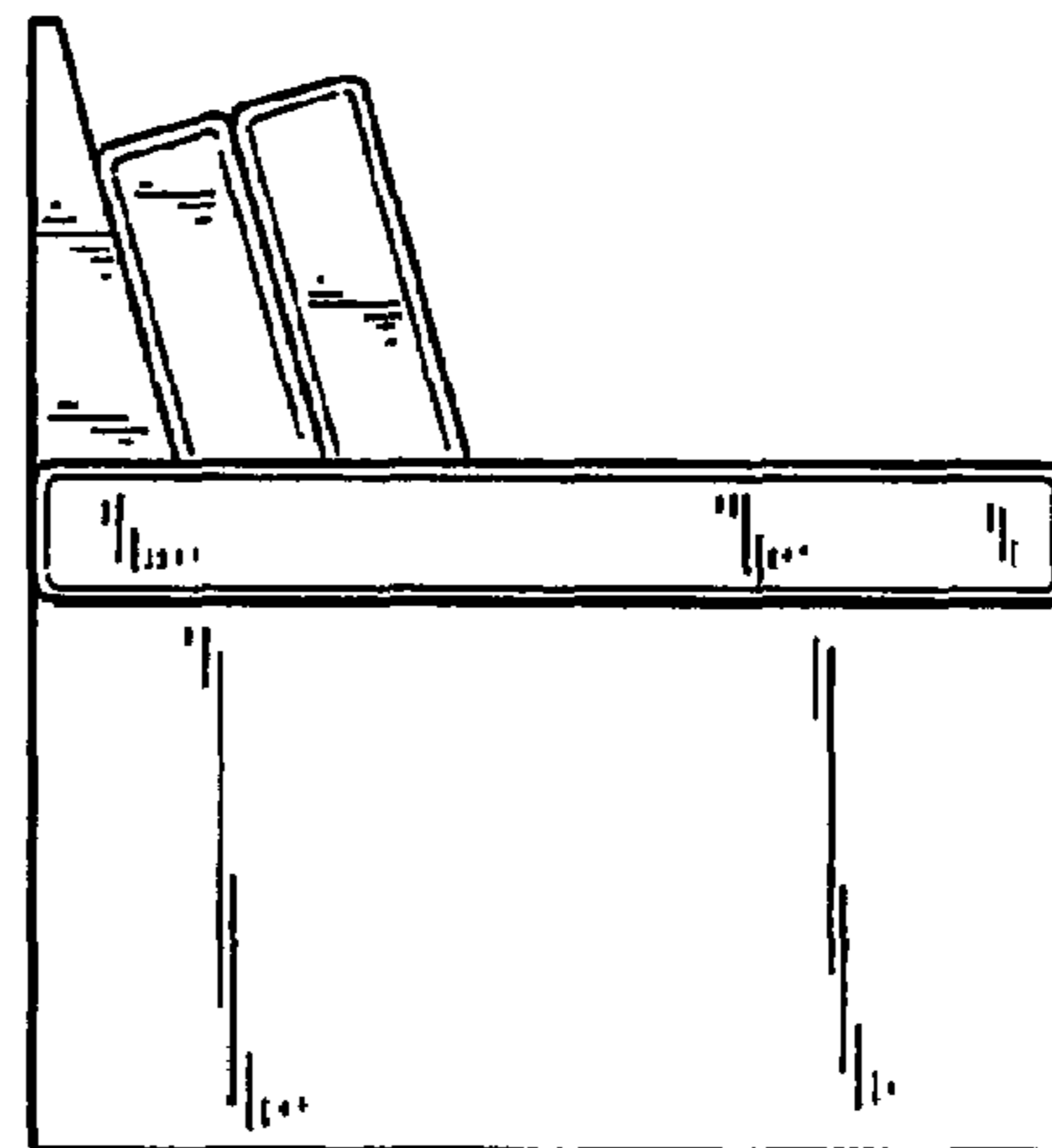


FIG. 9

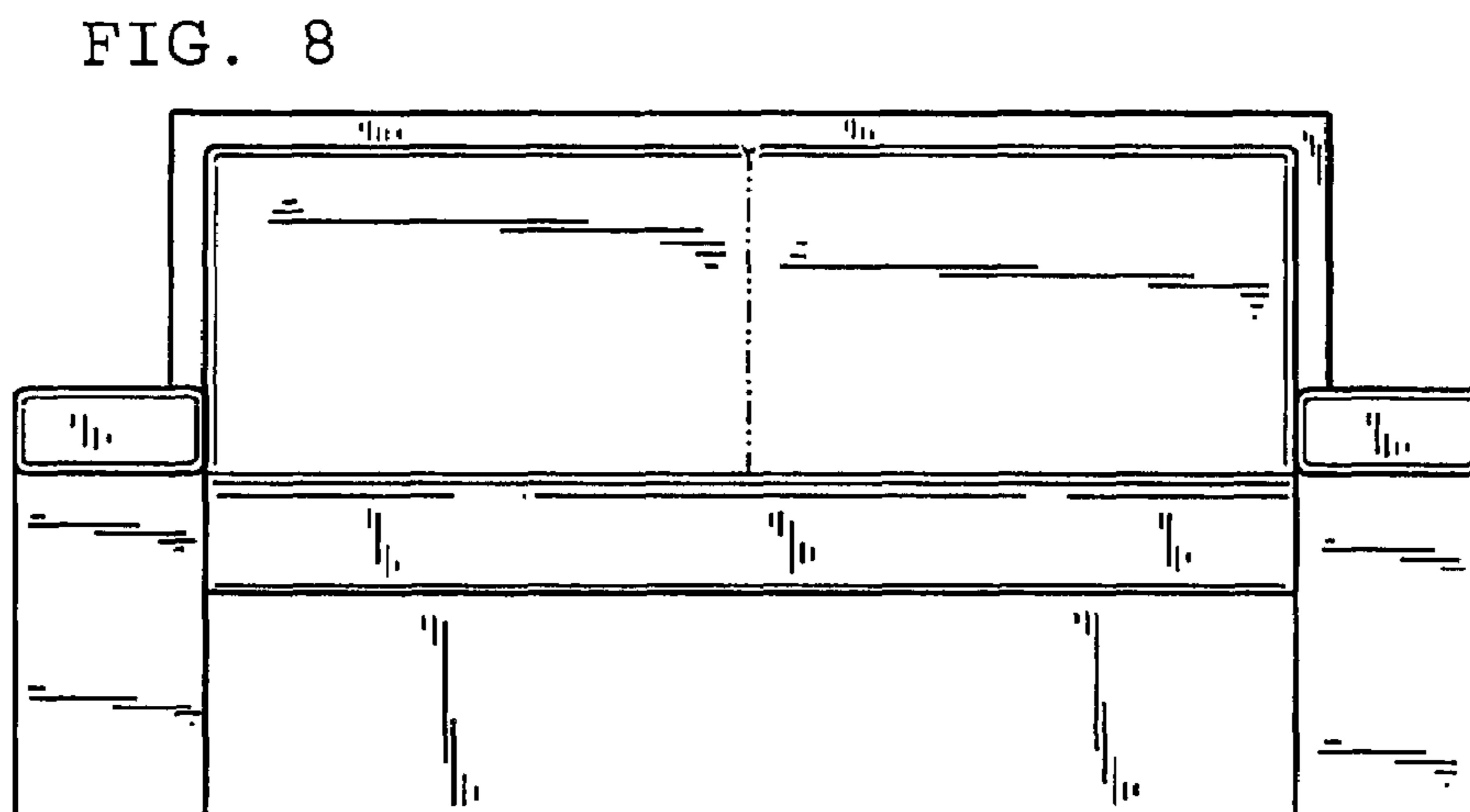


FIG. 8

FIG. 10

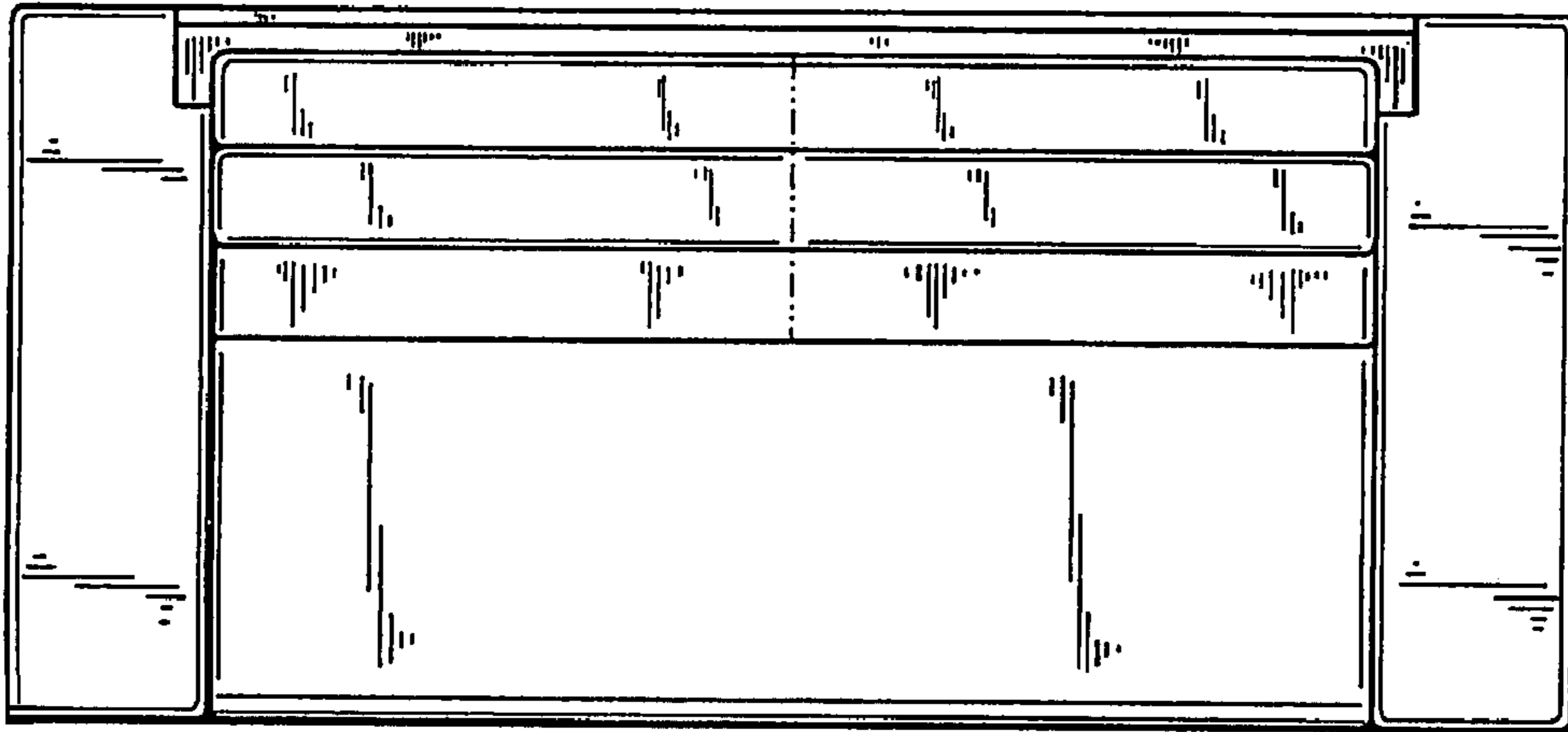


FIG. 11

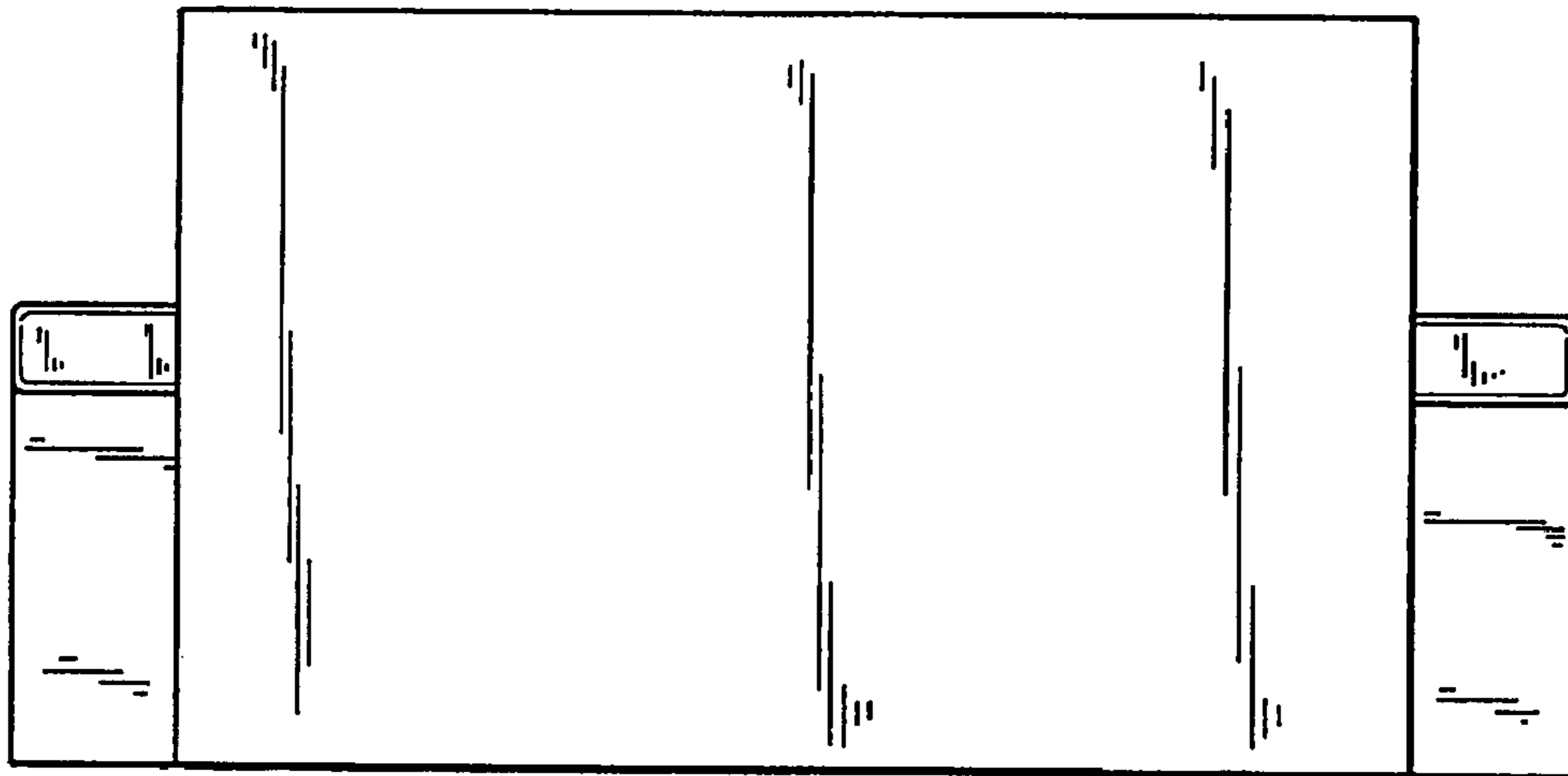


FIG. 12

