



US00D565854S

(12) **United States Design Patent**
Huang

(10) **Patent No.:** **US D565,854 S**

(45) **Date of Patent:** **** Apr. 8, 2008**

(54) **CHAIR**

D391,089 S * 2/1998 Chu D6/366
D391,790 S * 3/1998 Breen D6/500

(76) Inventor: **William Huang**, 5353 Jillson St.,
Commerce, CA (US) 90040

* cited by examiner

(**) Term: **14 Years**

Primary Examiner—Mimosa De
(74) *Attorney, Agent, or Firm*—Jen-Feng Lee, Esq.

(21) Appl. No.: **29/282,163**

(22) Filed: **Jul. 12, 2007**

(57) **CLAIM**

(51) **LOC (8) Cl.** **06-01**

I claim the ornamental design for a chair, as shown and described.

(52) **U.S. Cl.** **D6/366**

(58) **Field of Classification Search** D6/334–336,
D6/364–367, 374, 379, 380, 498, 500–502;
297/353, 354.1, 411.2, 411.27, 452.29, 452.32,
297/452.35, 452.48

DESCRIPTION

See application file for complete search history.

FIG. 1 shows the perspective view of a chair showing my new design,

FIG. 2 shows the front view thereof,

FIG. 3 shows the rear view thereof,

FIG. 4 shows the right side view thereof,

FIG. 5 shows the left side view thereof; and,

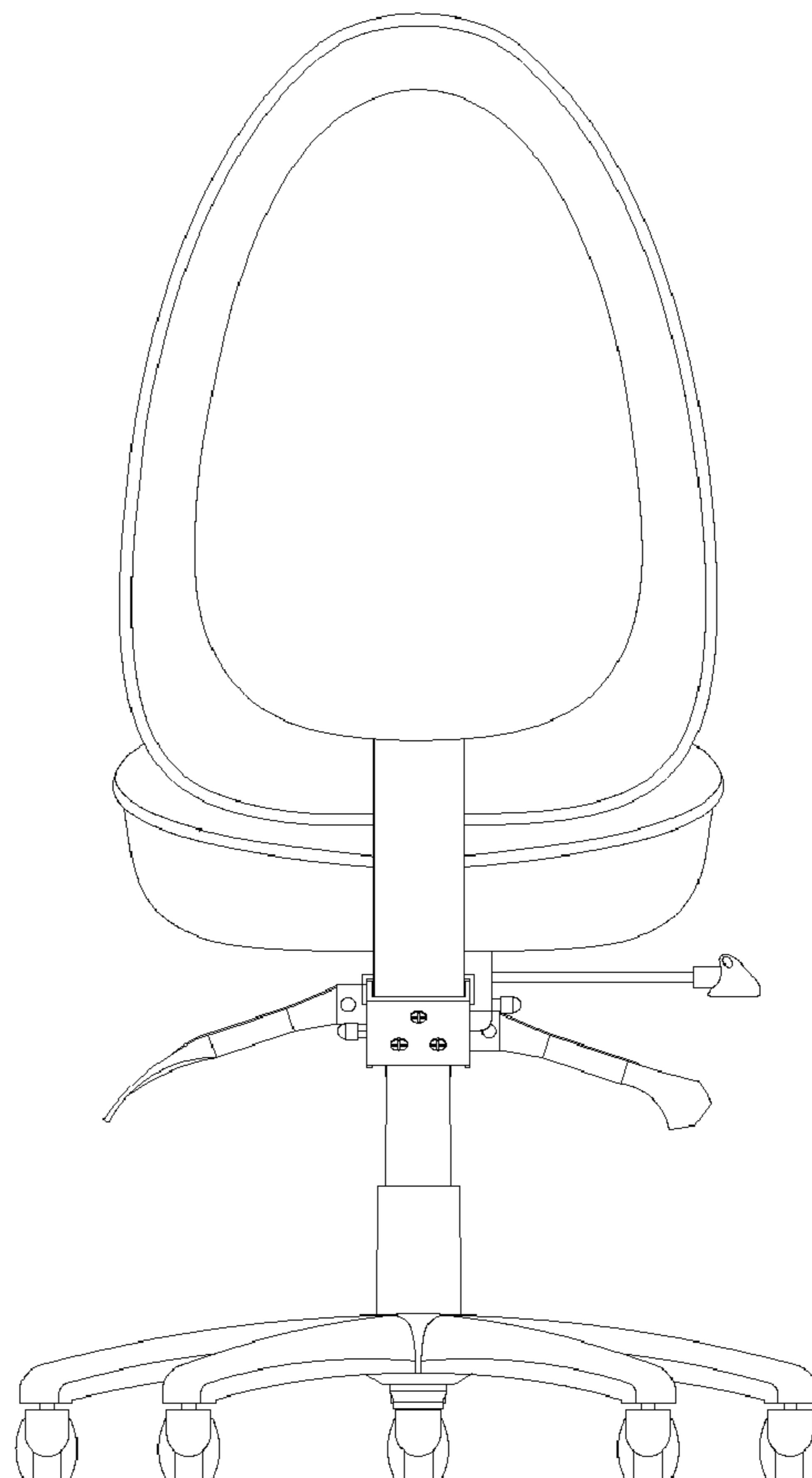
FIG. 6 shows the top plan view thereof.

(56) **References Cited**

U.S. PATENT DOCUMENTS

D350,032 S * 8/1994 Beaulieu D6/366
D368,596 S * 4/1996 Breen D6/366
D369,259 S * 4/1996 Breen D6/500

1 Claim, 6 Drawing Sheets



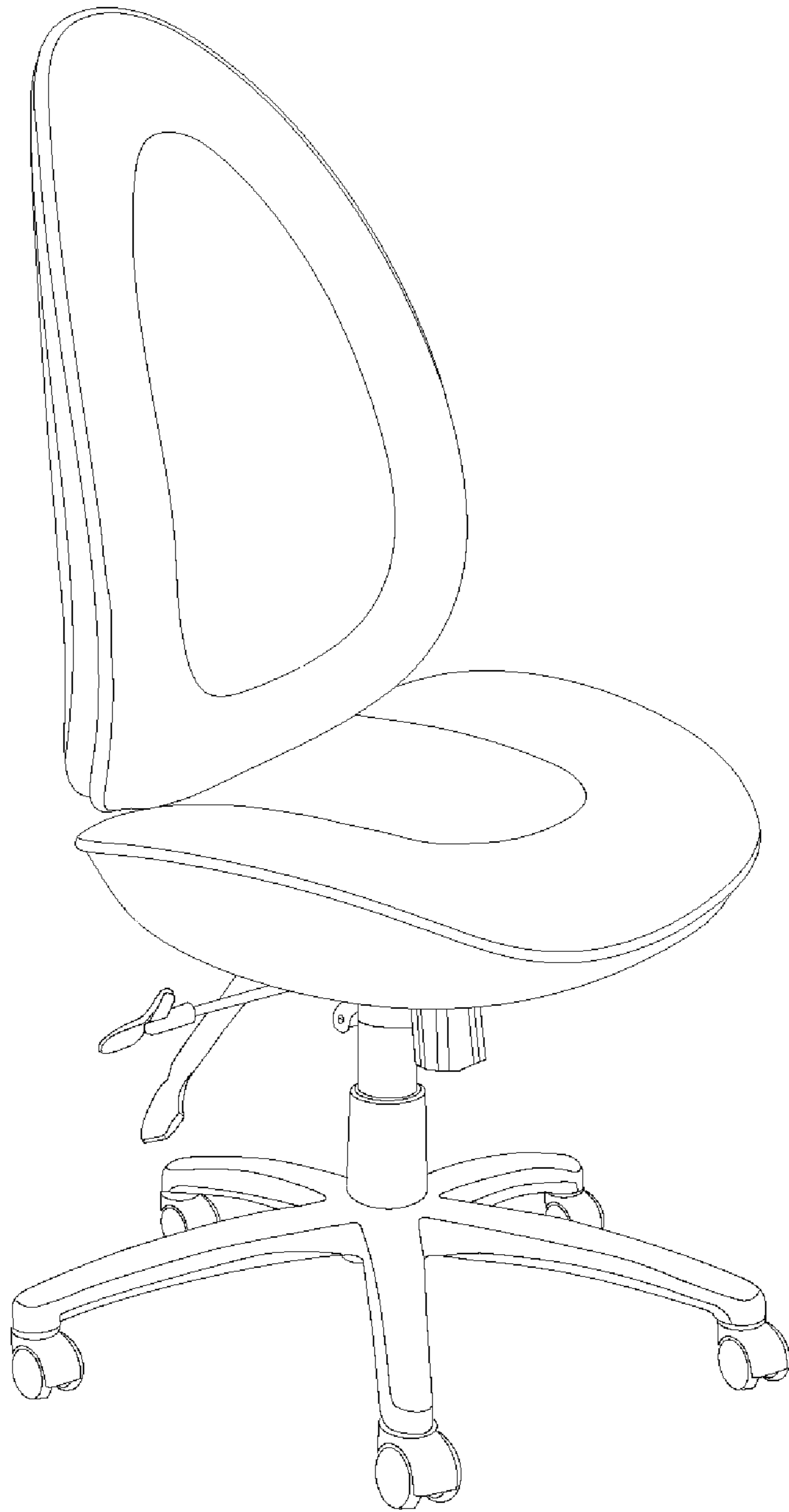


Figure 1

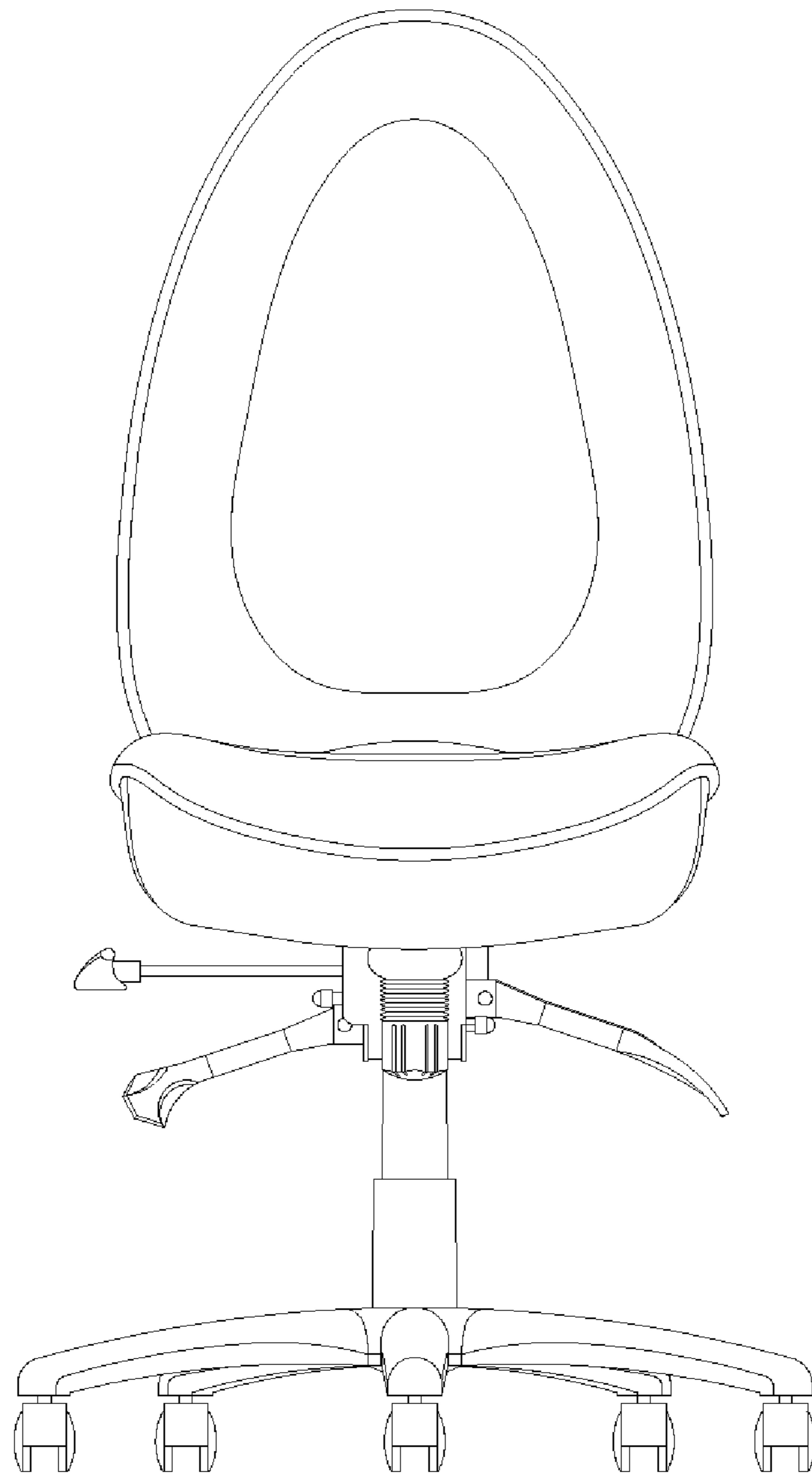


Figure 2

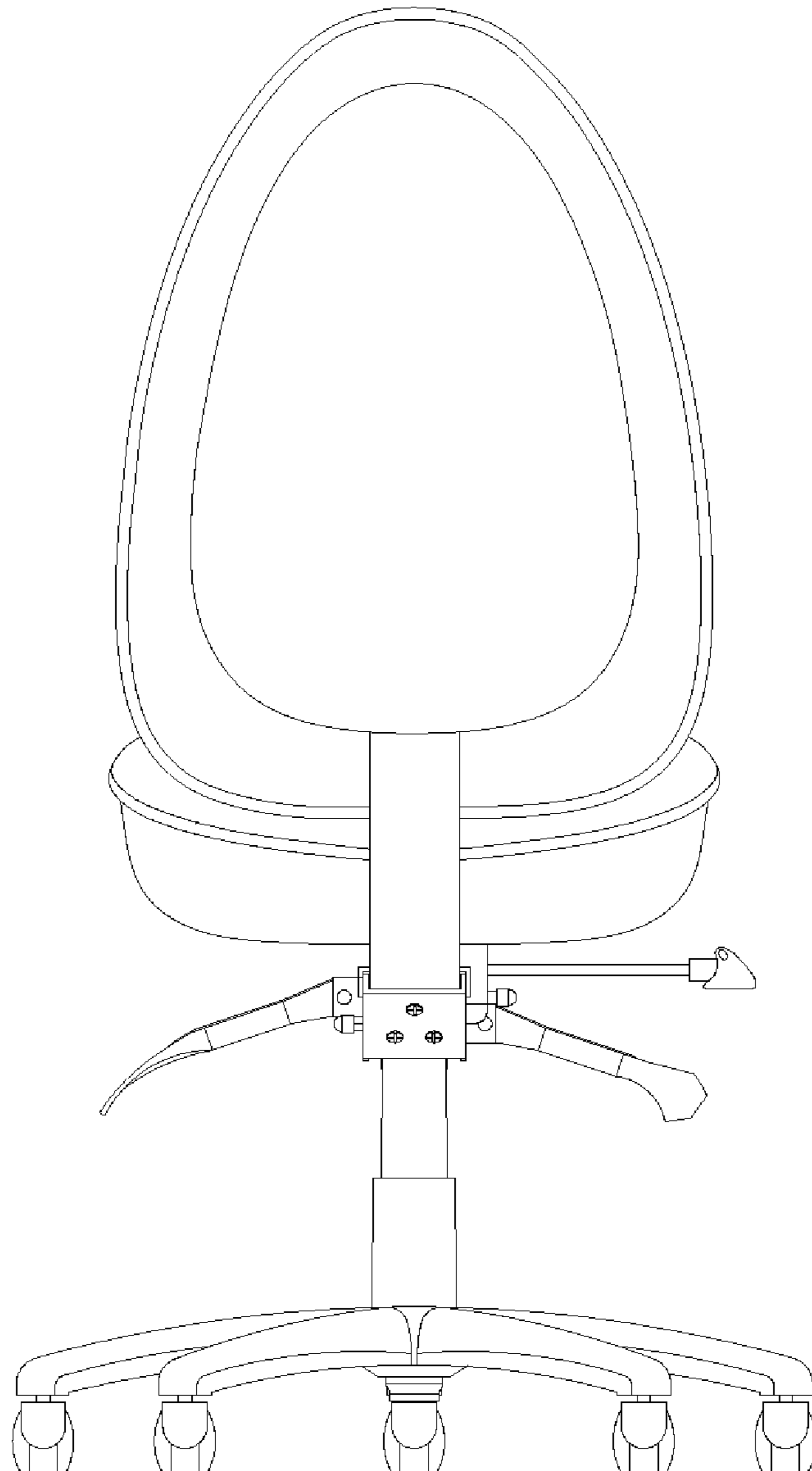


Figure 3

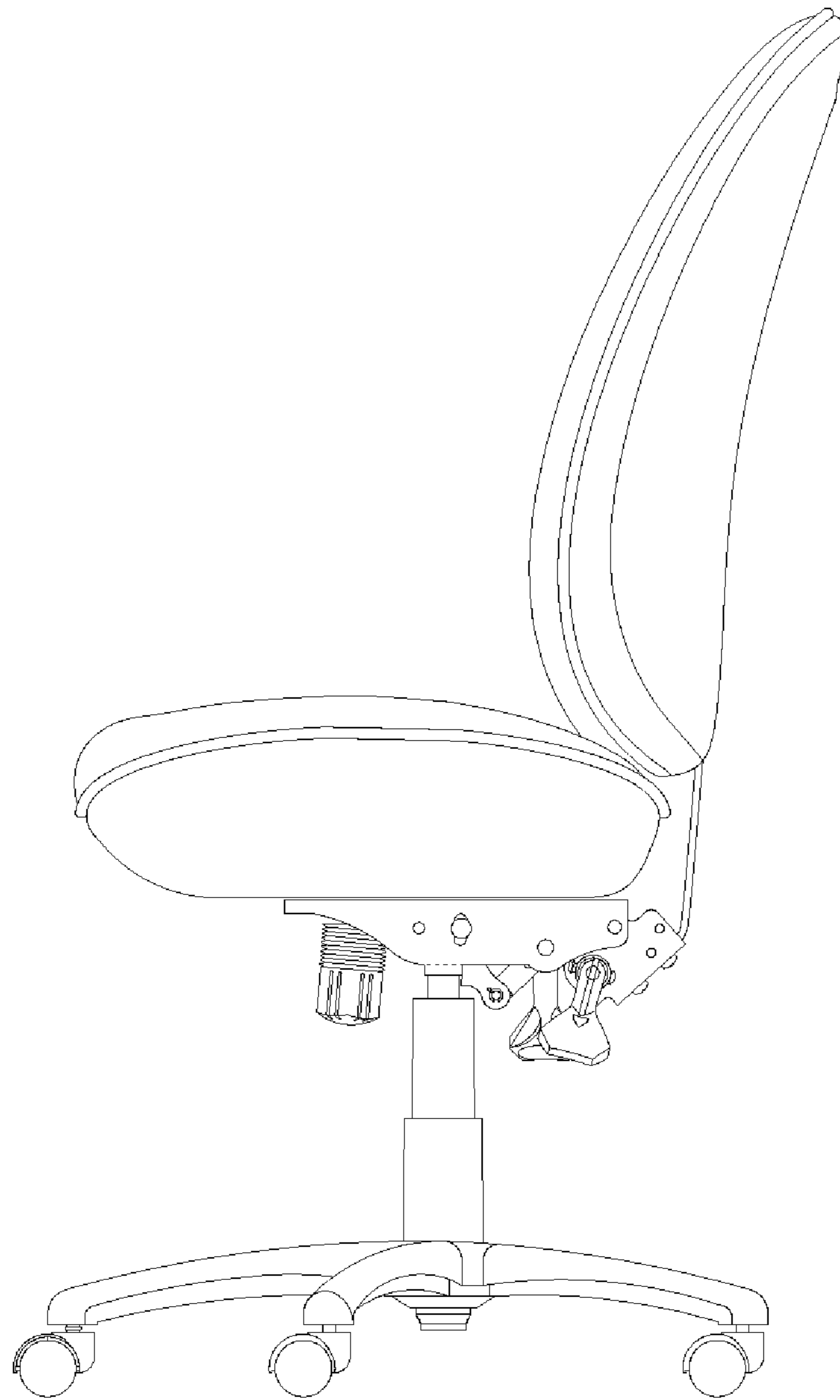


Figure 4

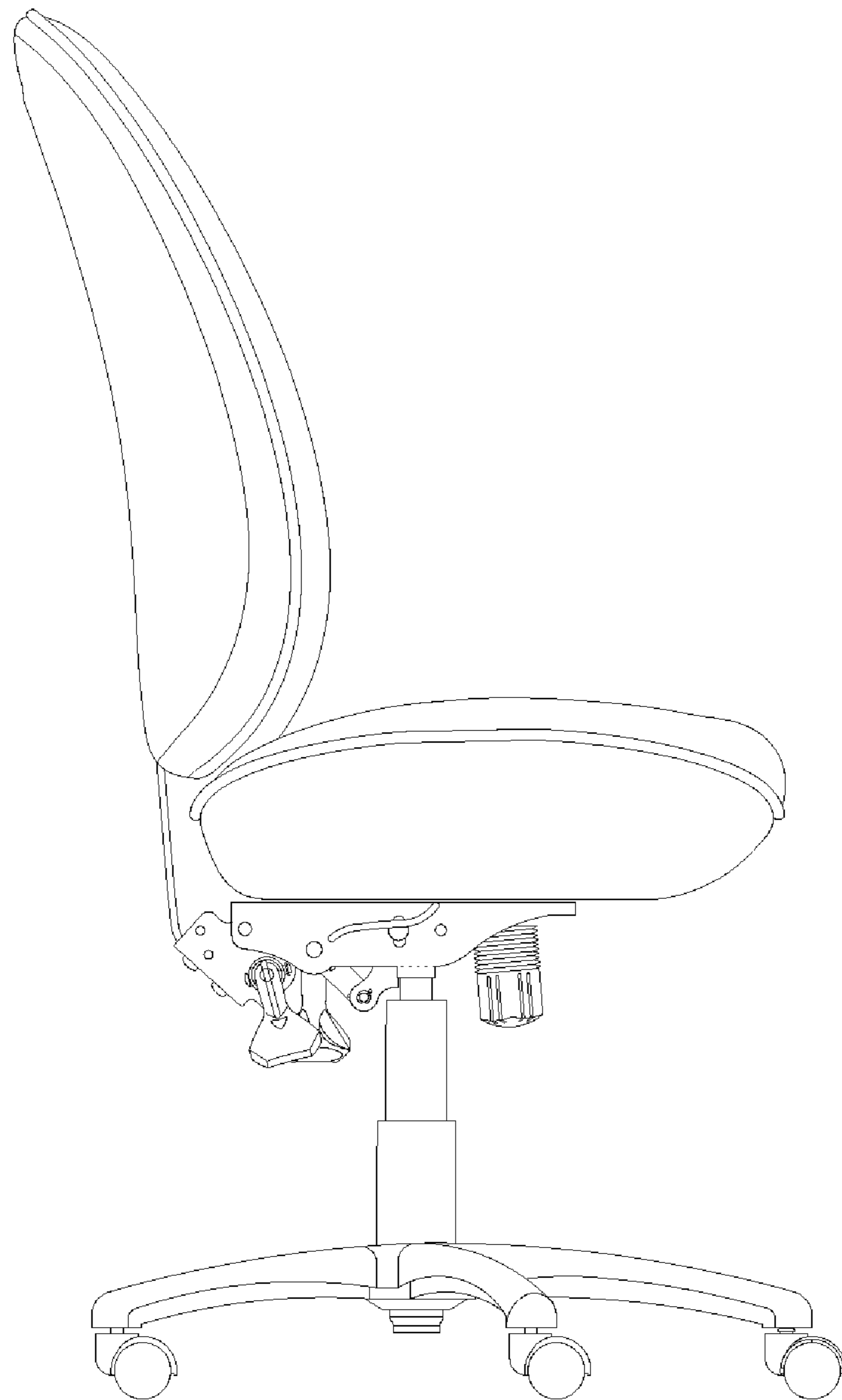


Figure 5

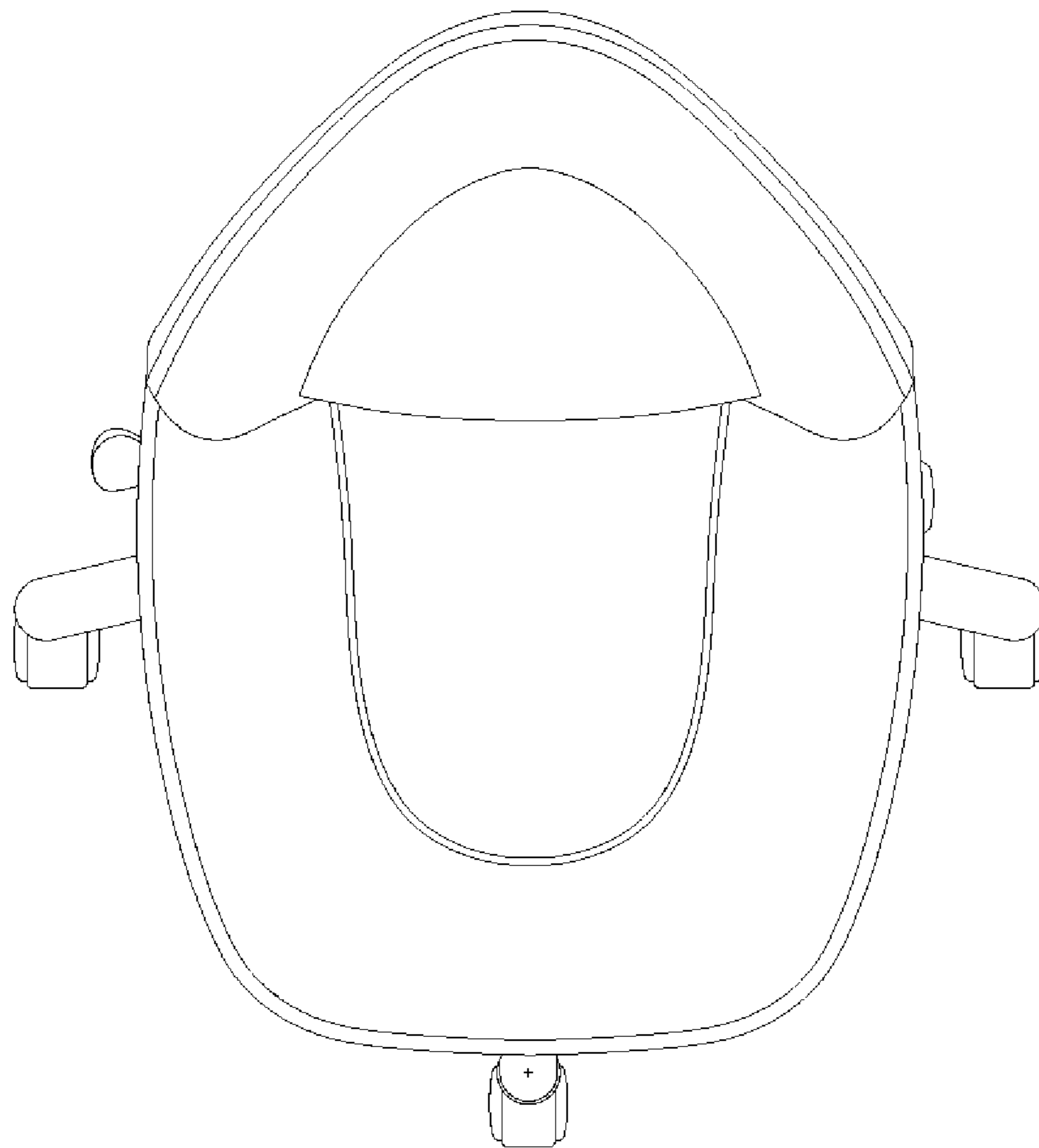


Figure 6