



US00D565853S

(12) **United States Design Patent**  
**Pini**

(10) **Patent No.:** **US D565,853 S**

(45) **Date of Patent:** **\*\* Apr. 8, 2008**

(54) **CHAIR**

(75) Inventor: **Belisario Pini**, Florence (IT)

(73) Assignee: **Steab S.p.A.**, Florence (IT)

(\*\*) Term: **14 Years**

(21) Appl. No.: **29/280,835**

(22) Filed: **Jun. 8, 2007**

(51) **LOC (8) Cl.** ..... **06-01**

(52) **U.S. Cl.** ..... **D6/363**

(58) **Field of Classification Search** ..... D6/334,  
D6/335, 336, 363, 374, 375, 376, 379, 380,  
D6/500-502; 297/445.1, 446.1, 451.2, DIG. 2  
See application file for complete search history.

(56) **References Cited**

U.S. PATENT DOCUMENTS

D155,273 S \* 9/1949 Eames ..... D6/363

D364,970 S \* 12/1995 Reese ..... D6/363

D372,594 S \* 8/1996 Reese ..... D6/363

\* cited by examiner

*Primary Examiner*—Mimosa De

(74) *Attorney, Agent, or Firm*—McGlew and Tuttle, P.C.

(57) **CLAIM**

The ornamental design for a chair, as shown and described.

**DESCRIPTION**

FIG. 1 is a perspective view of my new chair design;

FIG. 2 is a rear view thereof;

FIG. 3 is a front view thereof;

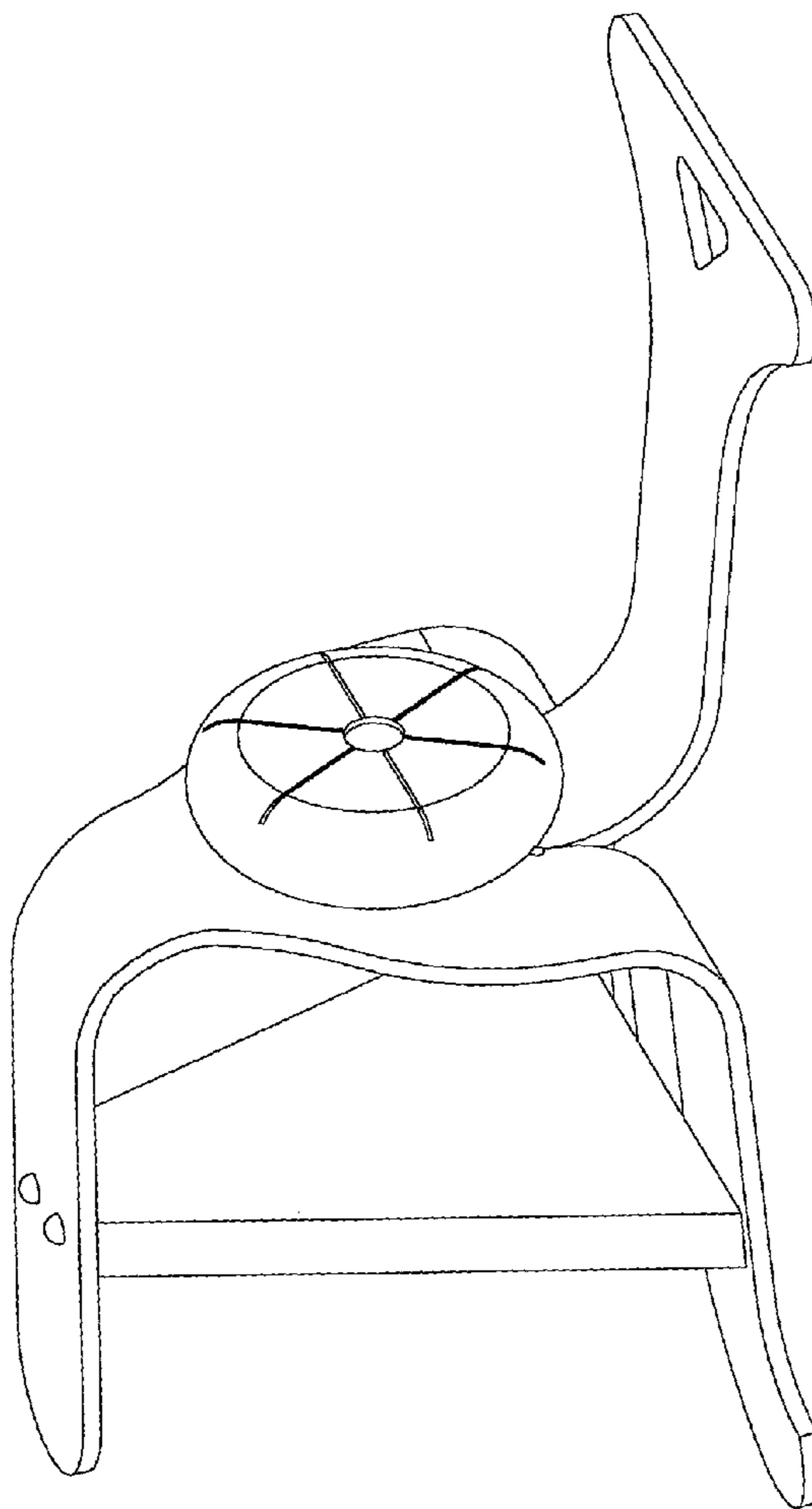
FIG. 4 is a right side view thereof (the left side view being a mirror image of the right side view);

FIG. 5 is a top view thereof; and,

FIG. 6 is a bottom view thereof.

The broken line shown in FIG. 6 of the drawing is for illustrative purposes only and forms no part of the claimed design.

**1 Claim, 6 Drawing Sheets**



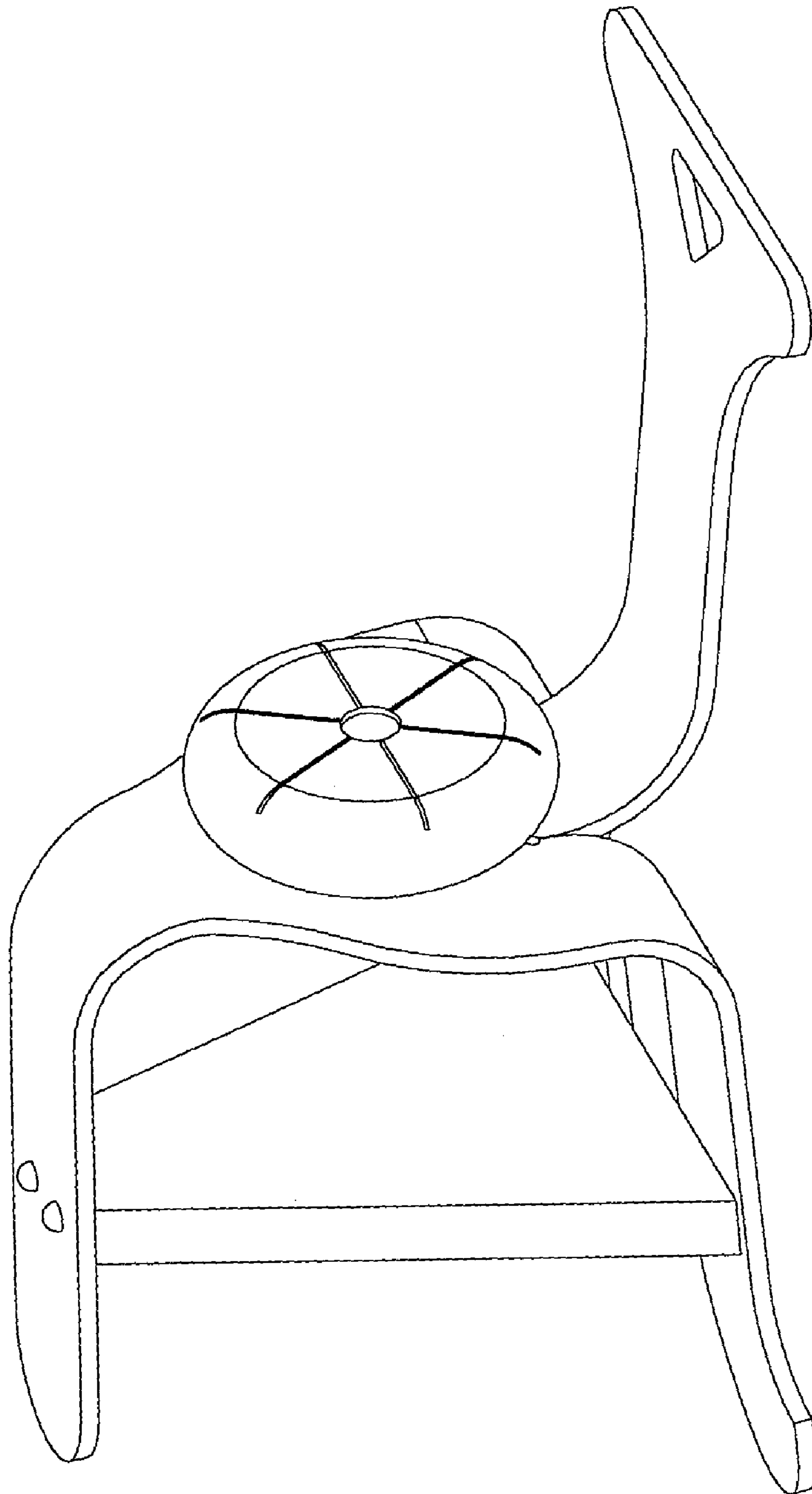


FIG. 1

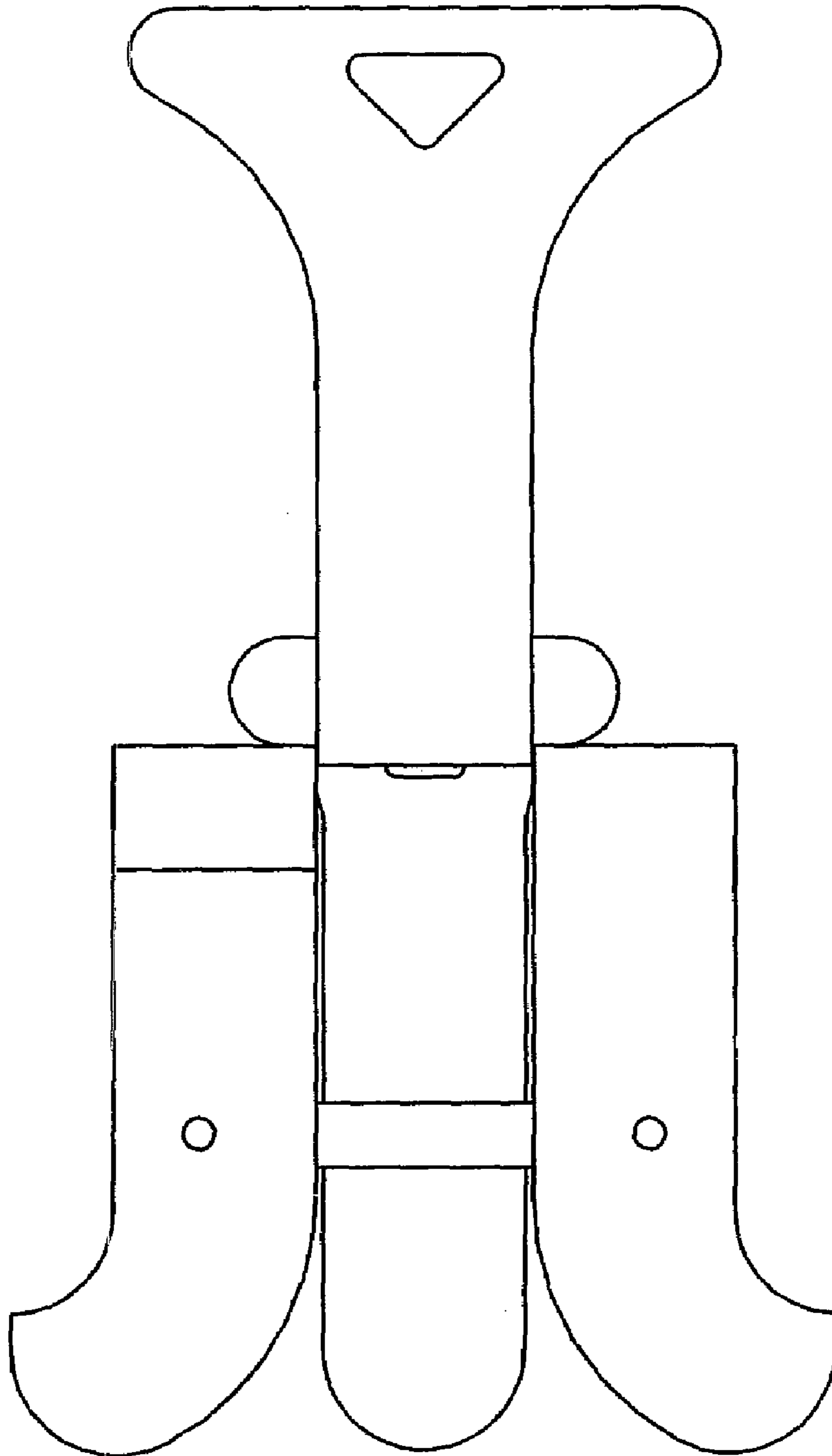


FIG. 2

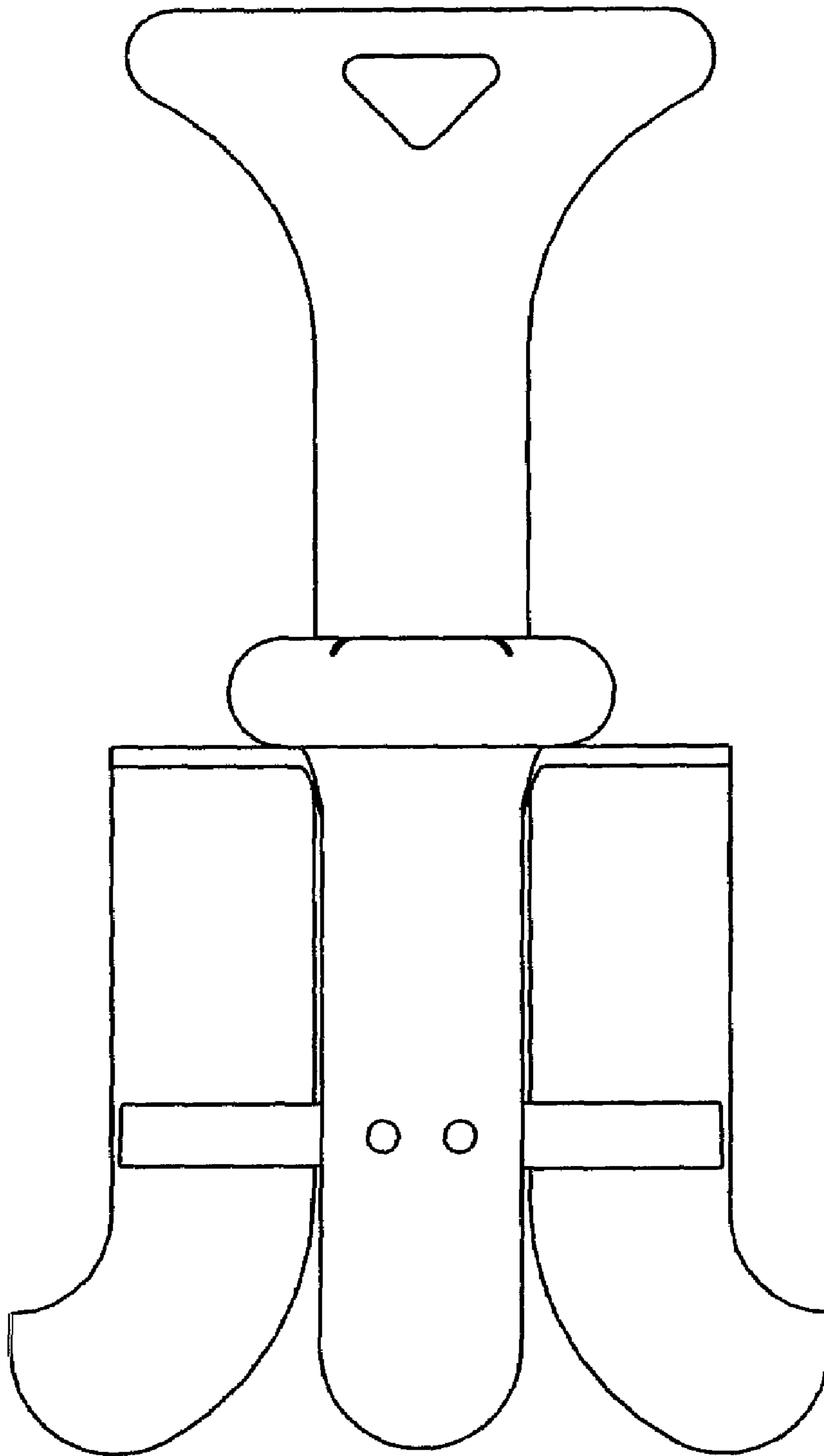


FIG. 3

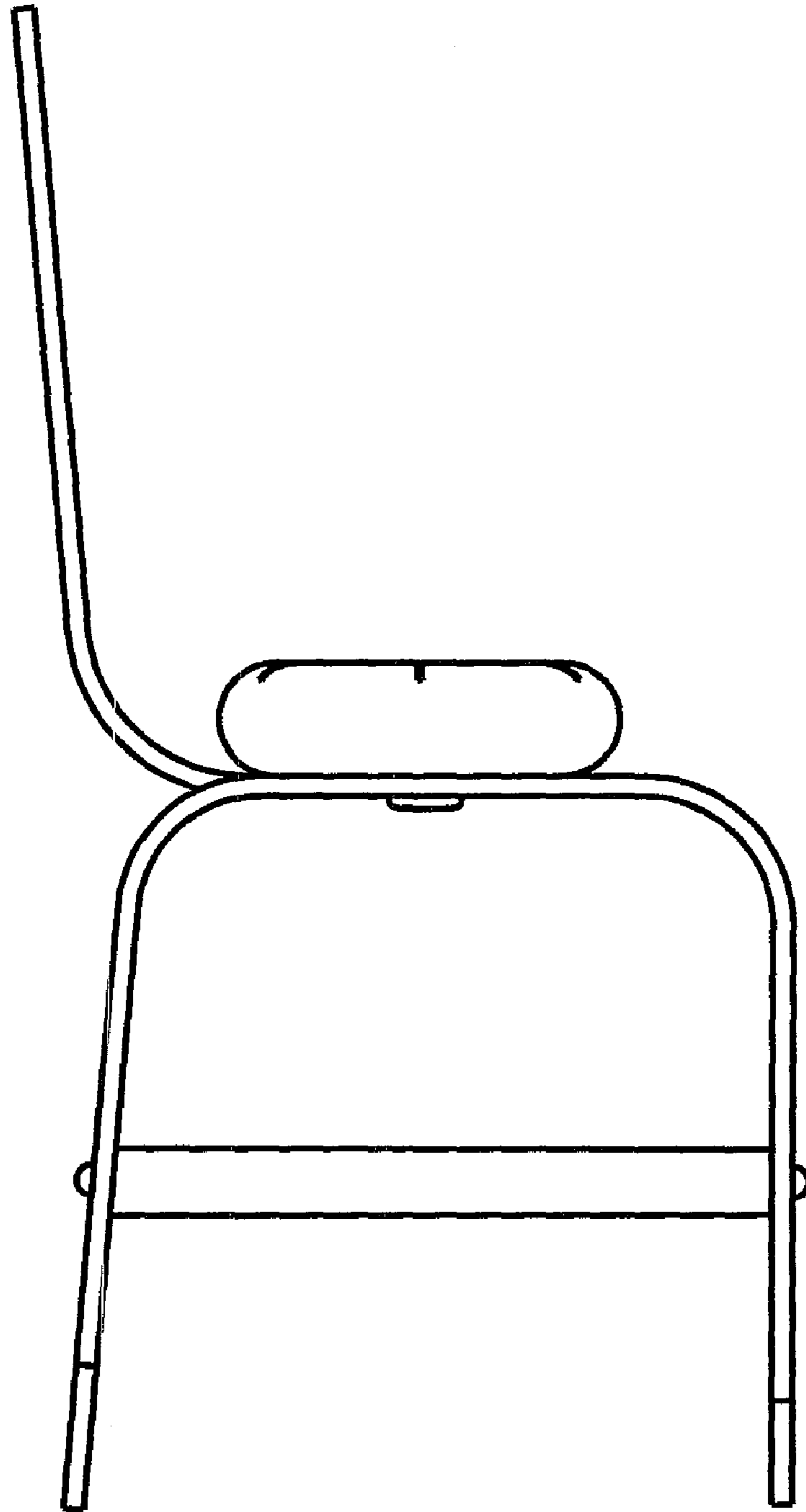


FIG. 4

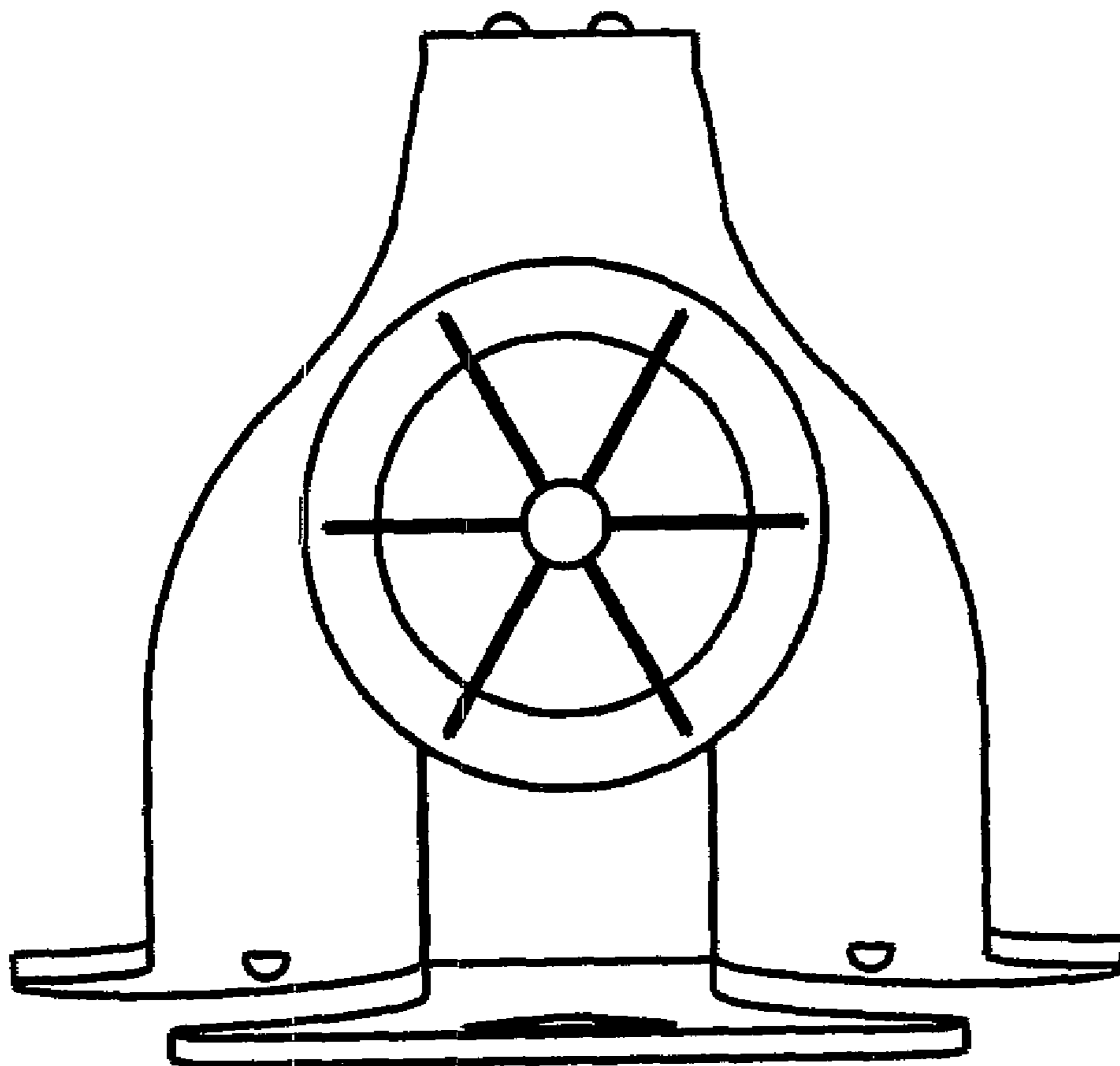


FIG. 5

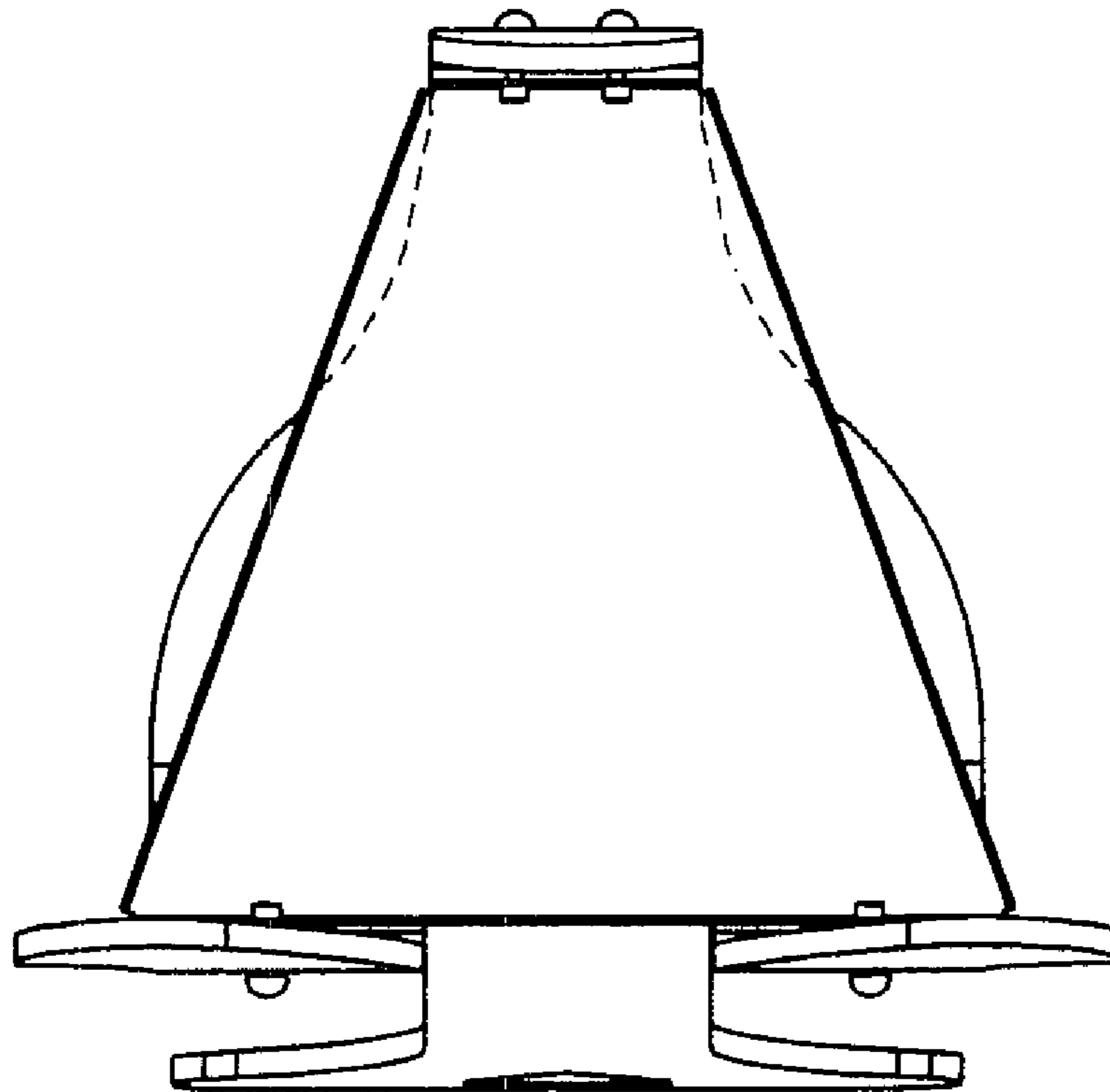


FIG. 6