

US00D565850S

(12) **United States Design Patent**
Newhouse

(10) **Patent No.:** **US D565,850 S**
(45) **Date of Patent:** **** Apr. 8, 2008**

(54) **MODULAR STUDY FURNITURE**

(75) Inventor: **Thomas J. Newhouse**, Grand Rapids, MI (US)

(73) Assignee: **The Worden Company**, Holland, MI (US)

(**) Term: **14 Years**

(21) Appl. No.: **29/284,621**

(22) Filed: **Sep. 12, 2007**

Related U.S. Application Data

(62) Division of application No. 29/247,517, filed on Jun. 23, 2006.

(51) **LOC (8) Cl.** **06-01**

(52) **U.S. Cl.** **D6/338**

(58) **Field of Classification Search** D6/334-338, D6/349, 355, 363, 364, 369-370, 381, 491, D6/500-502, 509, 511, 601; 297/16.1-16.2, 297/116, 135, 154, 187, 158.3, 158.4, 158.5, 297/184.1, 232, 244, 411.37, 440.1, 445.1; 5/12.1, 655.3

See application file for complete search history.

(56) **References Cited**

U.S. PATENT DOCUMENTS

536,131 A * 3/1895 Coldwell et al. 135/151
D47,792 S * 9/1915 Kelsey D6/341
1,452,343 A 4/1923 Jones

D78,780 S * 6/1929 Papa D6/381
D83,452 S * 2/1931 Klemm et al. D6/341
D161,772 S 1/1951 Macdonald
2,572,732 A * 10/1951 Keklen et al. 297/184.14
D174,900 S * 6/1955 Flexer et al. D6/357
2,947,348 A 8/1960 Peckham
D197,652 S 3/1964 Courtwright
D200,851 S * 4/1965 Wise D6/336
3,353,866 A 11/1967 Chapman et al.
D219,519 S 12/1970 Gianfagna
3,632,161 A 1/1972 Arfaras et al.

(Continued)

FOREIGN PATENT DOCUMENTS

EP 1 172 252 A1 1/2002

Primary Examiner—Sandra Snapp

(74) *Attorney, Agent, or Firm*—McGarry Bair PC

(57) **CLAIM**

The ornamental design for modular study furniture, as shown and described.

DESCRIPTION

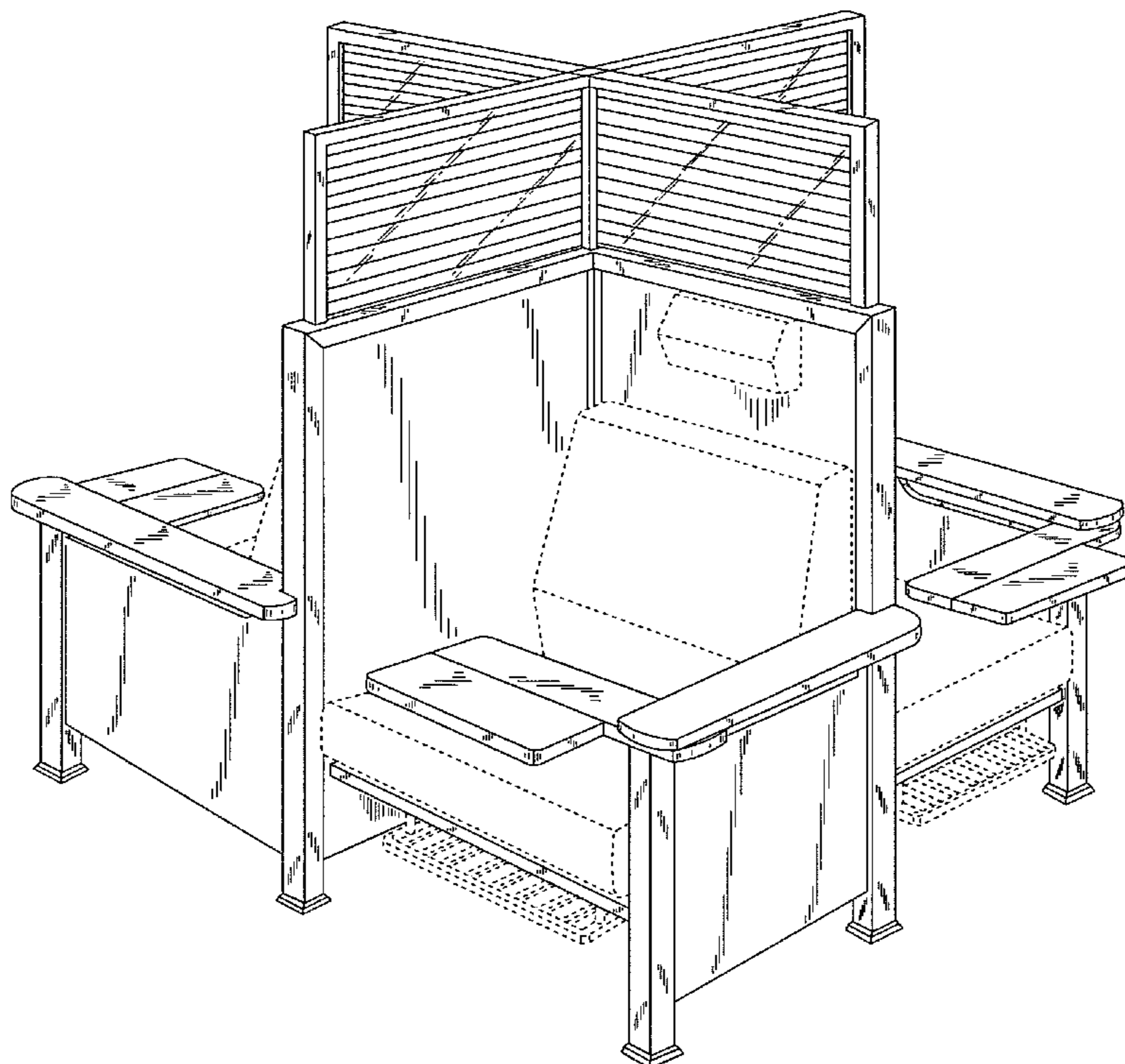
FIG. 1 is a perspective view of an embodiment of the ornamental design for modular study furniture according to the invention;

FIG. 2 is a front view thereof, and,

FIG. 3 is a top view thereof.

The material in dotted lines forms no part of my design.

1 Claim, 3 Drawing Sheets



US D565,850 S

Page 2

U.S. PATENT DOCUMENTS

D227,457 S *	6/1973	Skiaroff	D25/18	D362,348 S *	9/1995	Sacchi Lodispoto	D6/336
3,931,771 A	1/1976	Kramer		5,547,247 A	8/1996	Dixon	
D246,490 S *	11/1977	DuFresne	D6/338	5,630,642 A	5/1997	Grimmett et al.	
D259,282 S *	5/1981	Howey et al.	D25/18	D396,114 S *	7/1998	Horton	D25/16
D261,577 S *	11/1981	Heritage	D6/338	5,799,964 A	9/1998	Chao	
D261,578 S *	11/1981	Heritage	D6/338	D402,476 S	12/1998	Thorp et al.	
4,428,616 A	1/1984	Hamilton		D406,903 S *	3/1999	Horton	D25/16
D296,731 S *	7/1988	Hollington	D6/334	D407,921 S *	4/1999	Horton	D6/474
4,944,552 A	7/1990	Harris		D421,533 S	3/2000	Lininger et al.	
5,026,114 A	6/1991	Miller		6,032,587 A	3/2000	Salenbauch et al.	
D331,672 S	12/1992	Brodbeck		D427,447 S *	7/2000	Vu et al.	D6/381
D332,189 S	1/1993	Brodbeck		6,142,559 A	11/2000	Sorel et al.	
D334,490 S	4/1993	Johnson		6,237,994 B1	5/2001	Bentley et al.	
D342,617 S *	12/1993	Louden	D6/335	D487,519 S *	3/2004	Staubach et al.	D25/56
5,293,825 A	3/1994	Cauffiel		7,017,988 B2	3/2006	Tornero et al.	
5,372,403 A	12/1994	Puerto		D551,878 S *	10/2007	Cohen	D6/442
D360,766 S *	8/1995	Sacchi Lodispoto	D6/336				

* cited by examiner

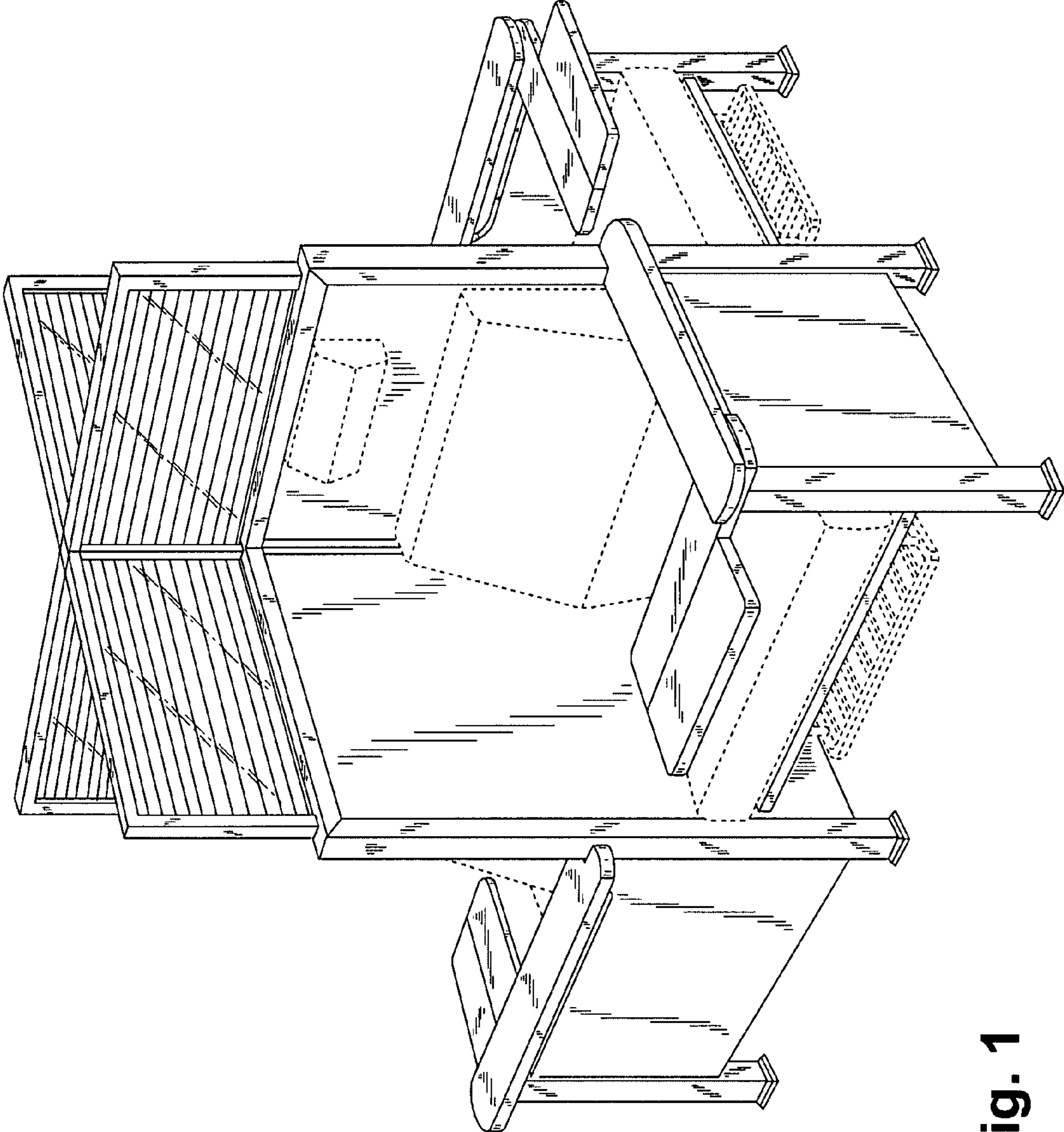


Fig. 1

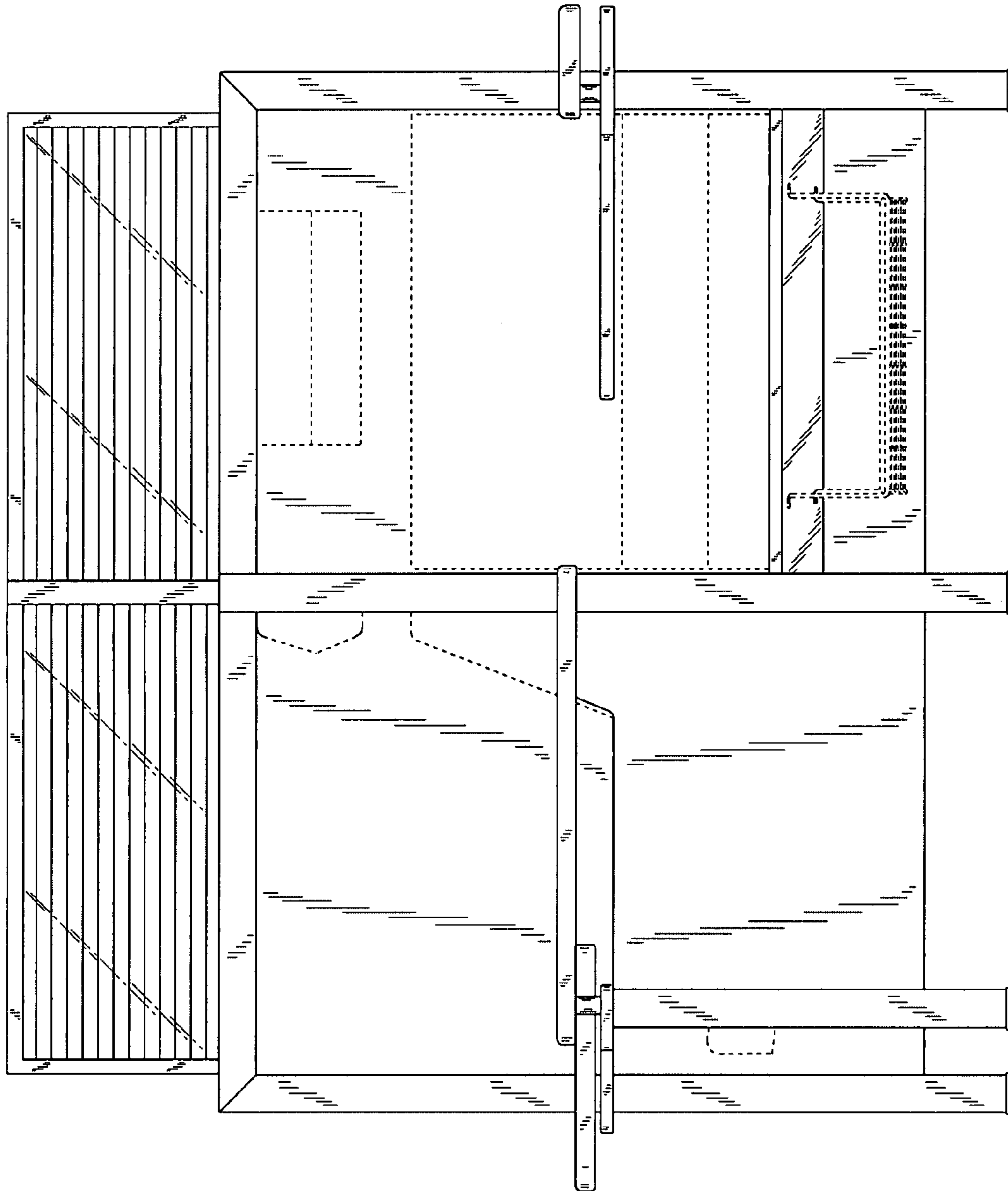


Fig. 2

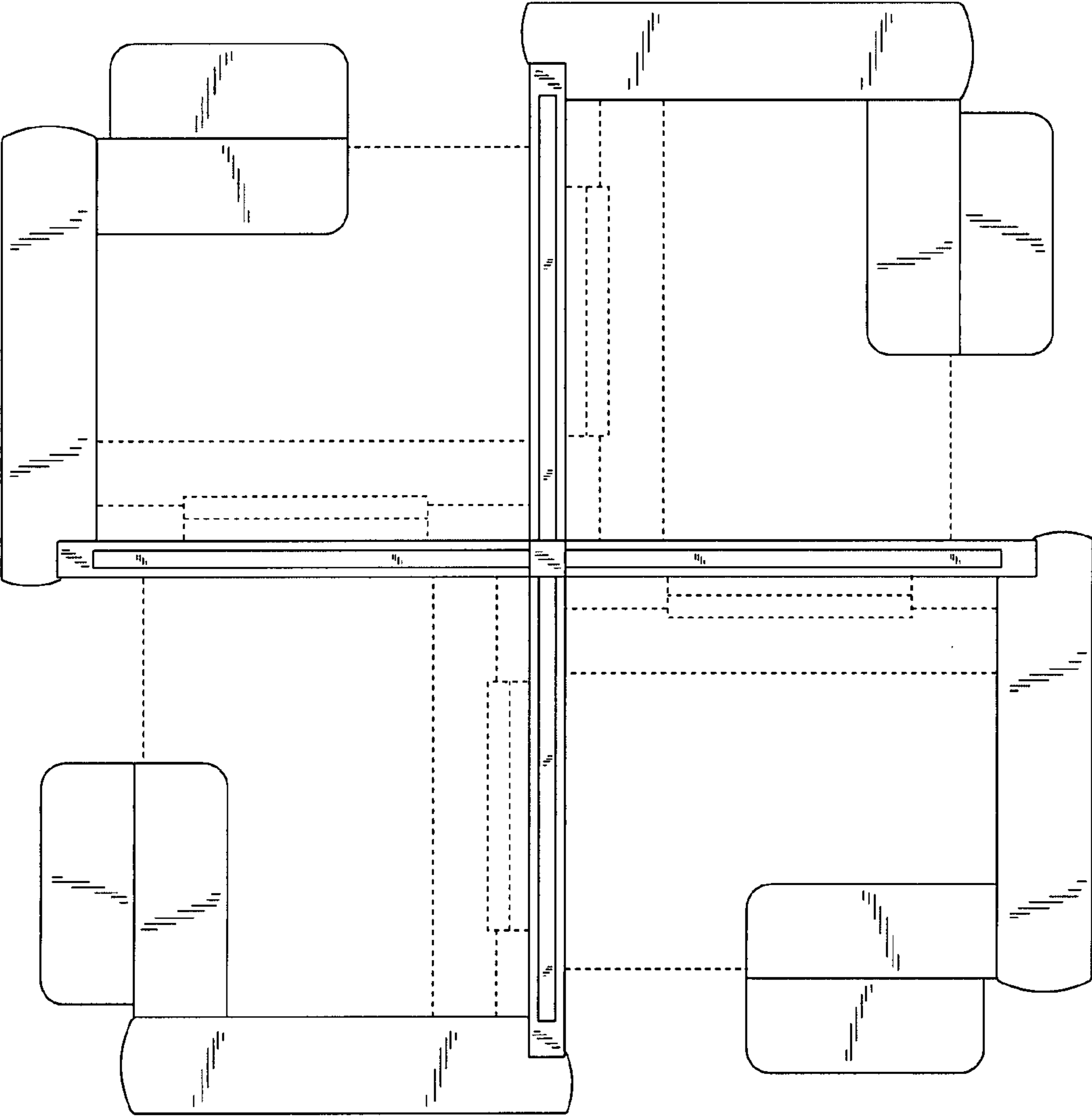


Fig. 3