

US00D565849S

(12) **United States Design Patent**
Newhouse

(10) **Patent No.:** **US D565,849 S**

(45) **Date of Patent:** **** Apr. 8, 2008**

(54) **MODULAR STUDY FURNITURE**

(75) Inventor: **Thomas J. Newhouse**, Grand Rapids, MI (US)

(73) Assignee: **The Worden Company**, Holland, MI (US)

(**) Term: **14 Years**

(21) Appl. No.: **29/284,617**

(22) Filed: **Sep. 12, 2007**

2,947,348 A	8/1960	Peckham	
D190,904 S	7/1961	Kasparian	
D200,851 S *	4/1965	Wise	D6/336
3,632,161 A	1/1972	Arfaras et al.	
D227,457 S *	6/1973	Skiaroff	D25/18
D246,490 S *	11/1977	DuFresne	D6/338
D259,282 S *	5/1981	Howey et al.	D25/18
D260,058 S	8/1981	Fonzellini	
D260,059 S	8/1981	Vorwerck	
D261,577 S *	11/1981	Heritage	D6/338
D261,578 S *	11/1981	Heritage	D6/338
4,428,616 A	1/1984	Hamilton	
D296,731 S *	7/1988	Hollington	D6/334

(Continued)

Related U.S. Application Data

(62) Division of application No. 29/247,496, filed on Jun. 22, 2006.

(51) **LOC (8) Cl.** **06-01**

(52) **U.S. Cl.** **D6/338**

(58) **Field of Classification Search** D6/334-338, D6/349, 355, 363, 364, 369-370, 381, 491, D6/500-502, 509, 511, 601; 297/16.1-16.2, 297/116, 135, 154, 187, 158.3, 158.4, 158.5, 297/184.1, 232, 244, 411.37, 440.1, 445.1; 5/12.1, 655.3

See application file for complete search history.

(56) **References Cited**

U.S. PATENT DOCUMENTS

536,131 A *	3/1895	Coldwell et al.	135/151
D47,792 S *	9/1915	Kelsey	D6/341
D78,780 S *	6/1929	Papa	D6/381
D83,452 S *	2/1931	Klemm et al.	D6/341
D83,569 S	3/1931	Platter	
2,572,732 A *	10/1951	Keklen et al.	297/184.14
D183,772 S	10/1958	Simpson	

FOREIGN PATENT DOCUMENTS

EP 1 172 252 A1 1/2002

Primary Examiner—Sandra Snapp

(74) *Attorney, Agent, or Firm*—McGarry Bair PC

(57) **CLAIM**

The ornamental design for modular study furniture, as shown and described.

DESCRIPTION

FIG. 1 is a perspective view of an embodiment of the ornamental design for modular study furniture according to the invention;

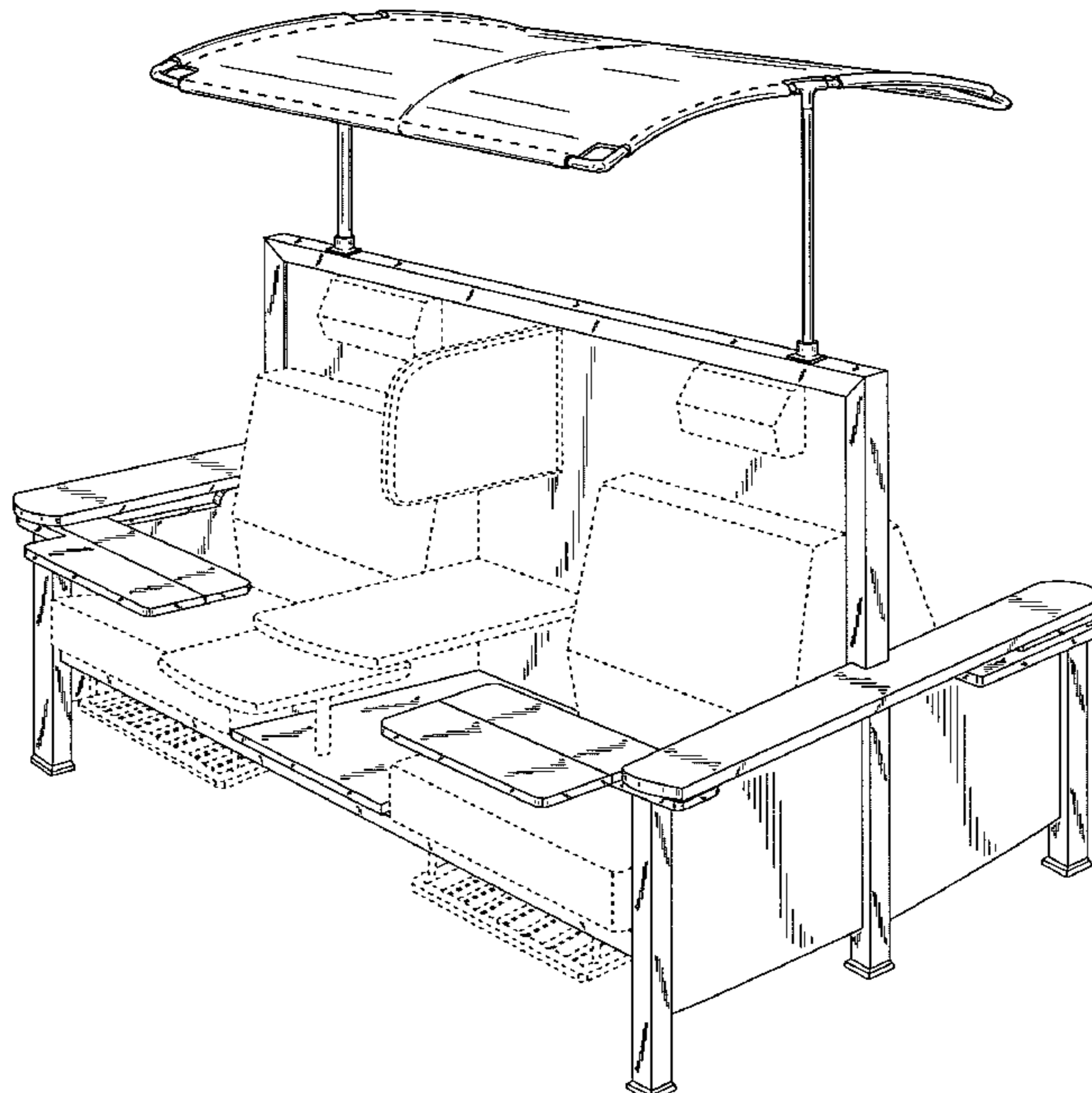
FIG. 2 is a front view thereof;

FIG. 3 is a side view thereof; and,

FIG. 4 is a top view thereof.

The material in dotted lines forms no part of my design.

1 Claim, 4 Drawing Sheets



US D565,849 S

Page 2

U.S. PATENT DOCUMENTS

4,944,552	A	7/1990	Harris				
5,026,114	A	6/1991	Miller				
D338,073	S	8/1993	Wall				
D342,617	S *	12/1993	Louden	D6/335		
5,293,825	A	3/1994	Cauffiel				
5,372,403	A	12/1994	Puerto				
D360,766	S *	8/1995	Sacchi Lodispoto	D6/336		
D361,437	S	8/1995	Sacchi Lodispoto				
D362,348	S *	9/1995	Sacchi Lodispoto	D6/336		
5,547,247	A	8/1996	Dixon				
5,630,642	A	5/1997	Grimmett et al.				
D396,114	S *	7/1998	Horton	D25/16		
5,799,964	A	9/1998	Chao				
D406,903	S *	3/1999	Horton	D25/16		
D407,921	S *	4/1999	Horton	D6/474		
D415,573	S	10/1999	Chipman et al.				
D420,812	S	2/2000	Chipman et al.				
6,032,587	A	3/2000	Salenbauch et al.				
D438,635	S	3/2001	Da Costa				
6,237,994	B1	5/2001	Bentley et al.				
6,585,319	B2	7/2003	Tseng				
D484,709	S	1/2004	Cronk et al.				
D487,519	S *	3/2004	Staubach et al.	D25/56		
7,017,988	B2	3/2006	Tornero et al.				
D551,878	S *	10/2007	Cohen	D6/442		

* cited by examiner

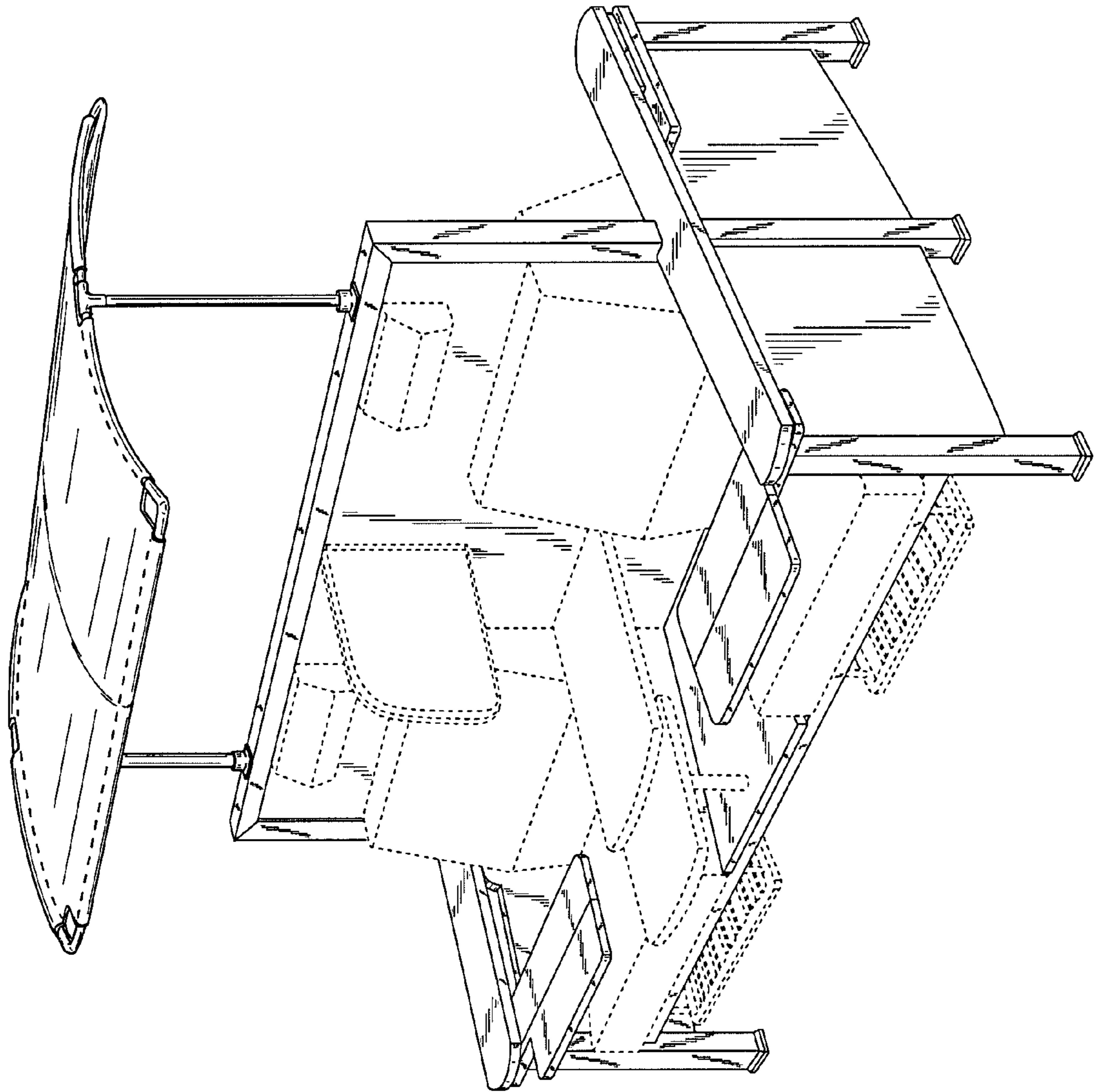


Fig. 1

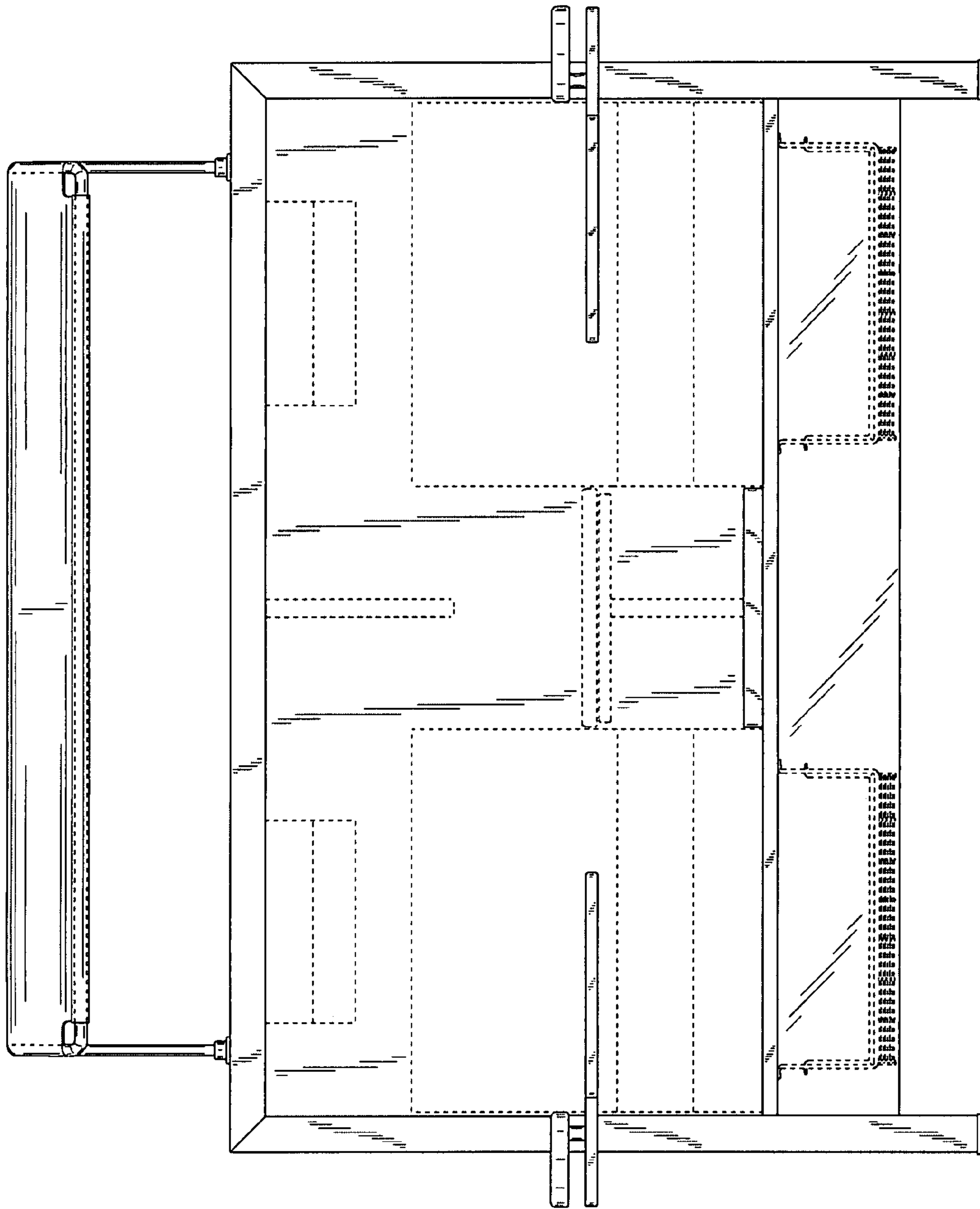


Fig. 2

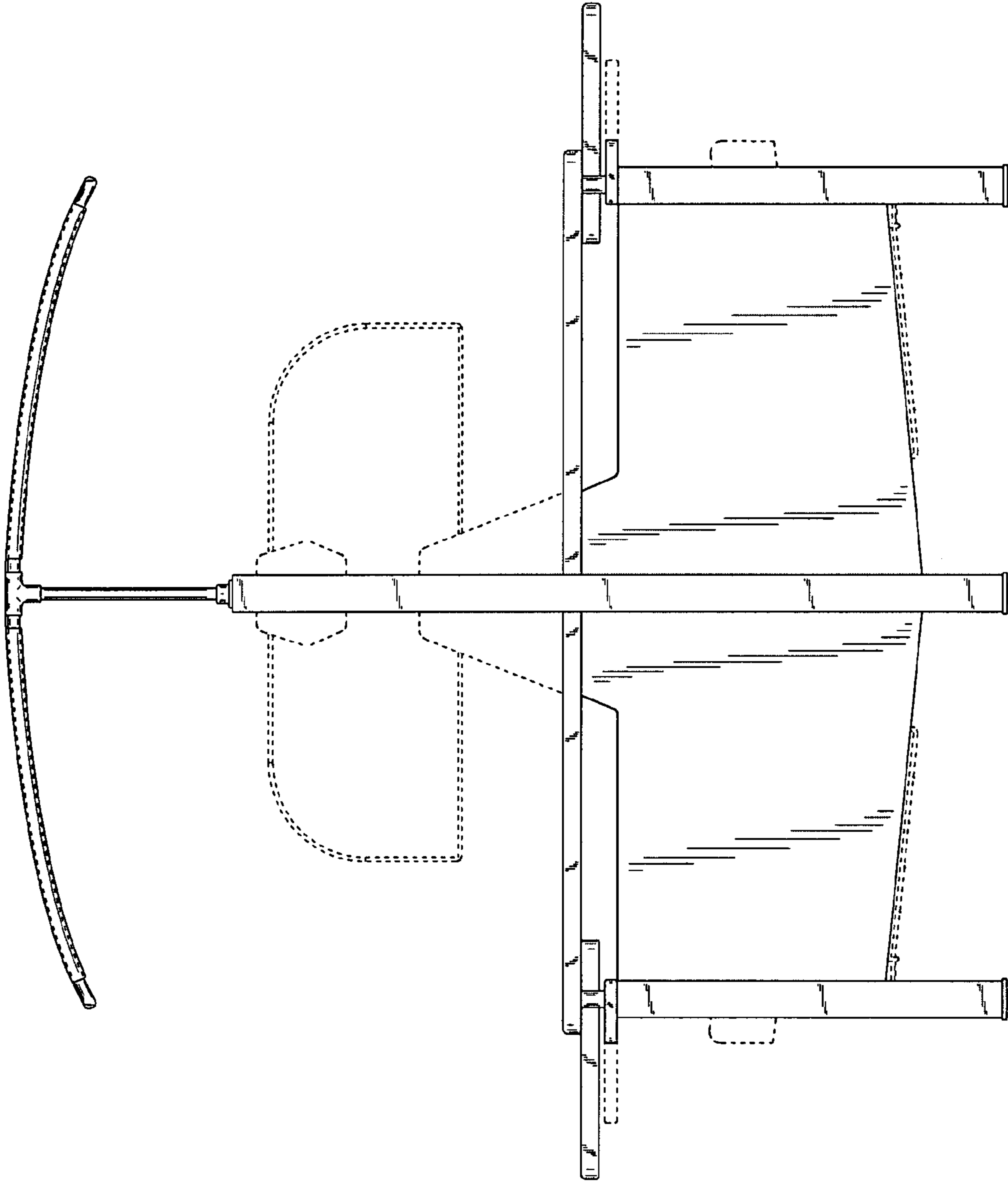


Fig. 3

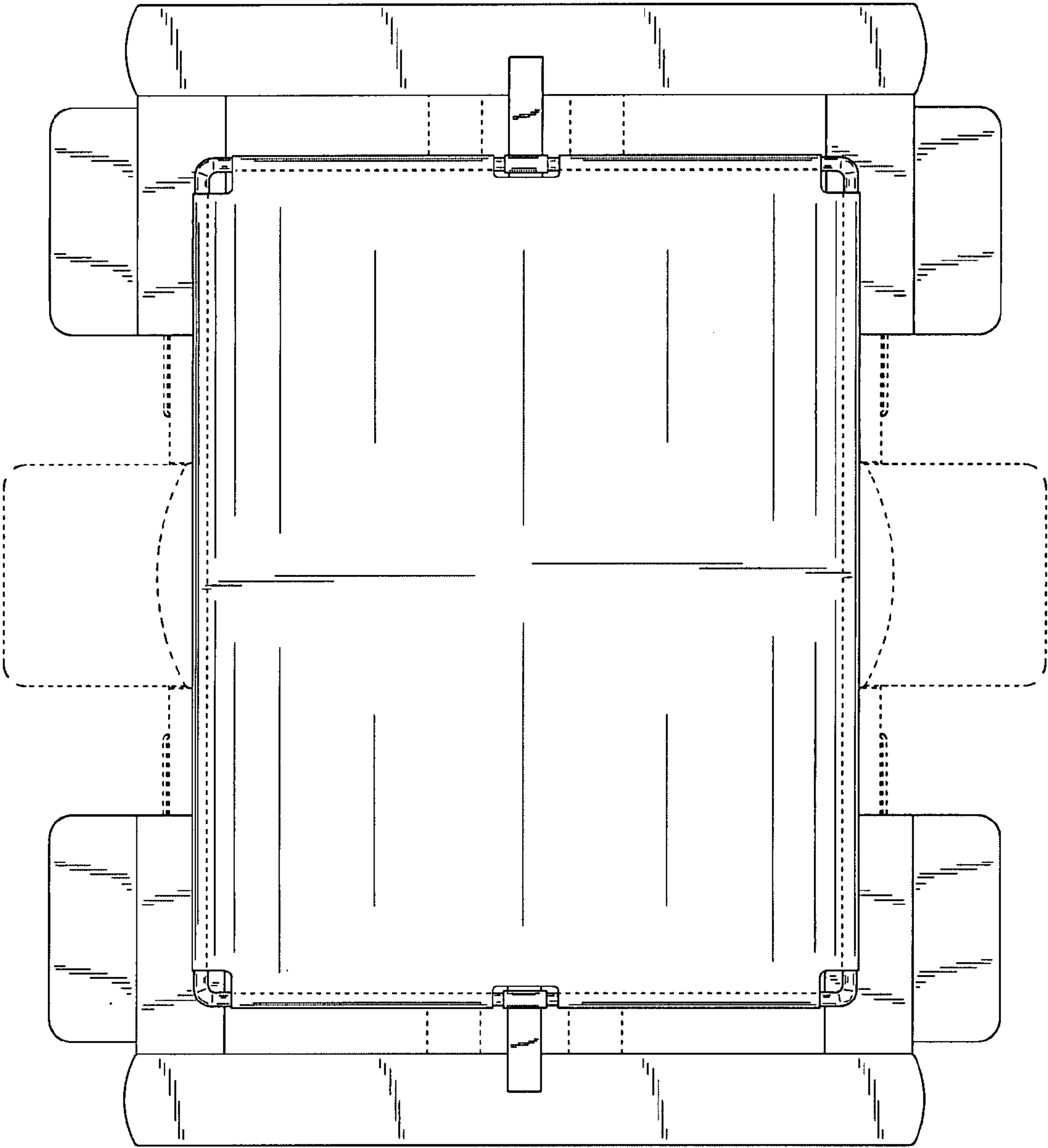


Fig. 4