



US00D565848S

(12) **United States Design Patent**
Newhouse

(10) **Patent No.:** **US D565,848 S**

(45) **Date of Patent:** **** Apr. 8, 2008**

(54) **MODULAR STUDY FURNITURE**

(75) Inventor: **Thomas J. Newhouse**, Grand Rapids, MI (US)

(73) Assignee: **The Worden Company**, Holland, MI (US)

(**) Term: **14 Years**

(21) Appl. No.: **29/284,613**

(22) Filed: **Sep. 12, 2007**

Related U.S. Application Data

(62) Division of application No. 29/247,496, filed on Jun. 22, 2006.

(51) **LOC (8) Cl.** **06-01**

(52) **U.S. Cl.** **D6/338**

(58) **Field of Classification Search** D6/334–338, D6/349, 355, 363, 364, 369–370, 381, 491, D6/500–502, 509, 511, 601; 297/16.1–16.2, 297/116, 135, 154, 187, 158.3, 158.4, 158.5, 297/184.1, 232, 244, 411.37, 440.1, 445.1; 5/12.1, 655.3

See application file for complete search history.

(56) **References Cited**

U.S. PATENT DOCUMENTS

- 536,131 A * 3/1895 Coldwell et al. 135/151
- D47,792 S * 9/1915 Kelsey D6/341
- D78,780 S * 7/1929 Papa D6/381
- D83,452 S * 2/1931 Klemm et al. D6/341
- D83,569 S 3/1931 Platter
- 2,575,732 A * 10/1951 Keklen et al. 297/184.14
- D183,772 S 10/1958 Simpson
- 2,947,348 A 8/1960 Peckham
- D190,904 S 7/1961 Kasparian
- D200,851 S * 4/1965 Wise D6/336
- 3,632,161 A 1/1972 Arfaras et al.
- D227,457 S * 6/1973 Skiaroff D25/18
- D246,490 S * 11/1977 DuFresne D6/338
- D259,282 S * 5/1981 Howey et al. D25/18

- D260,058 S 8/1981 Fonzellini
- D260,059 S 8/1981 Vorwerck
- D261,577 S * 11/1981 Heritage D6/338
- D261,578 S * 11/1981 Heritage D6/338
- 4,428,616 A 1/1984 Hamilton
- D296,731 S * 7/1988 Hollington D6/334
- 4,944,552 A 7/1990 Harris
- 5,026,114 A 6/1991 Miller
- D338,073 S 8/1993 Wall
- D342,617 S * 12/1993 Louden D6/335
- 5,293,825 A 3/1994 Cauffiel
- 5,372,403 A 12/1994 Puerto
- D360,766 S * 8/1995 Sacchi Lodispoto D6/336
- D361,437 S 8/1995 Sacchi Lodispoto
- D362,348 S * 9/1995 Sacchi Lodispoto D6/336
- 5,547,247 A 8/1996 Dixon
- 5,630,642 A 5/1997 Grimmett et al.
- D396,114 S * 7/1998 Horton D25/16
- 5,799,964 A 9/1998 Chao
- D406,903 S * 3/1999 Horton D25/16

(Continued)

FOREIGN PATENT DOCUMENTS

EP 1 172 252 A1 1/2002

Primary Examiner—Sandra Snapp
(74) *Attorney, Agent, or Firm*—McGarry Bair PC

(57) **CLAIM**

The ornamental design for modular study furniture, as shown and described.

DESCRIPTION

FIG. 1 is a perspective view of an embodiment of the ornamental design for modular study furniture according to the invention;

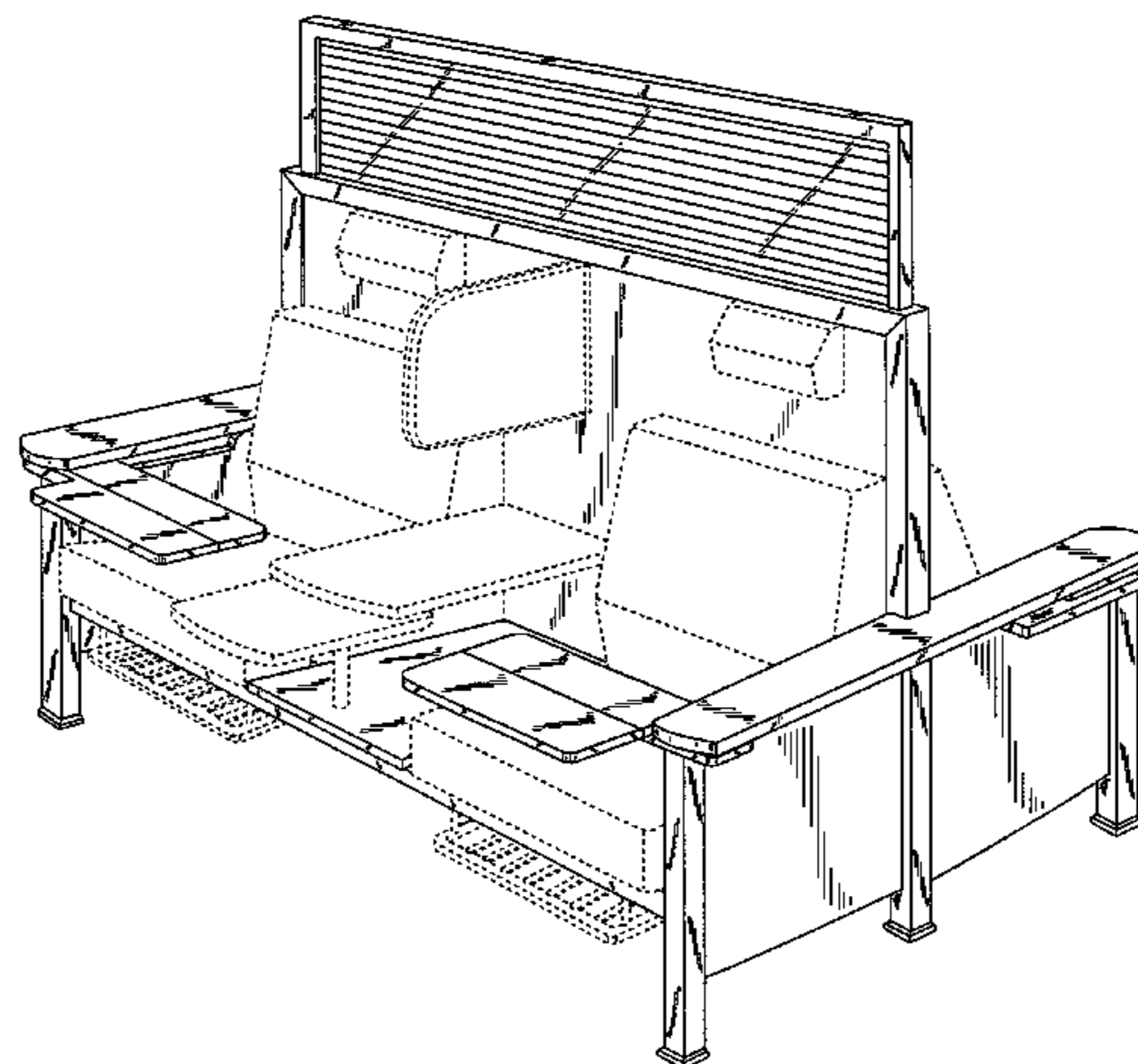
FIG. 2 is a front view thereof,

FIG. 3 is a side view thereof; and,

FIG. 4 is a top view thereof.

The material in dotted lines forms no part of my design.

1 Claim, 4 Drawing Sheets



US D565,848 S

Page 2

U.S. PATENT DOCUMENTS

| | | | | | | | |
|--------------|---------|-------------------|--------|--------------|---------|----------------------|--------|
| D407,921 S * | 4/1999 | Horton | D6/474 | 6,585,319 B2 | 7/2003 | Tseng | |
| D415,573 S | 10/1999 | Chipman et al. | | D484,709 S | 1/2004 | Cronk et al. | |
| D420,812 S | 2/2000 | Chipman et al. | | D487,519 S * | 3/2004 | Staubach et al. | D25/56 |
| 6,032,587 A | 3/2000 | Salenbauch et al. | | 7,017,988 B2 | 3/2006 | Tornero et al. | |
| D438,635 S | 3/2001 | Da Costa | | D551,878 S * | 10/2007 | Cohen | D6/442 |
| 6,237,994 B1 | 5/2001 | Bentley et al. | | | | | |

* cited by examiner

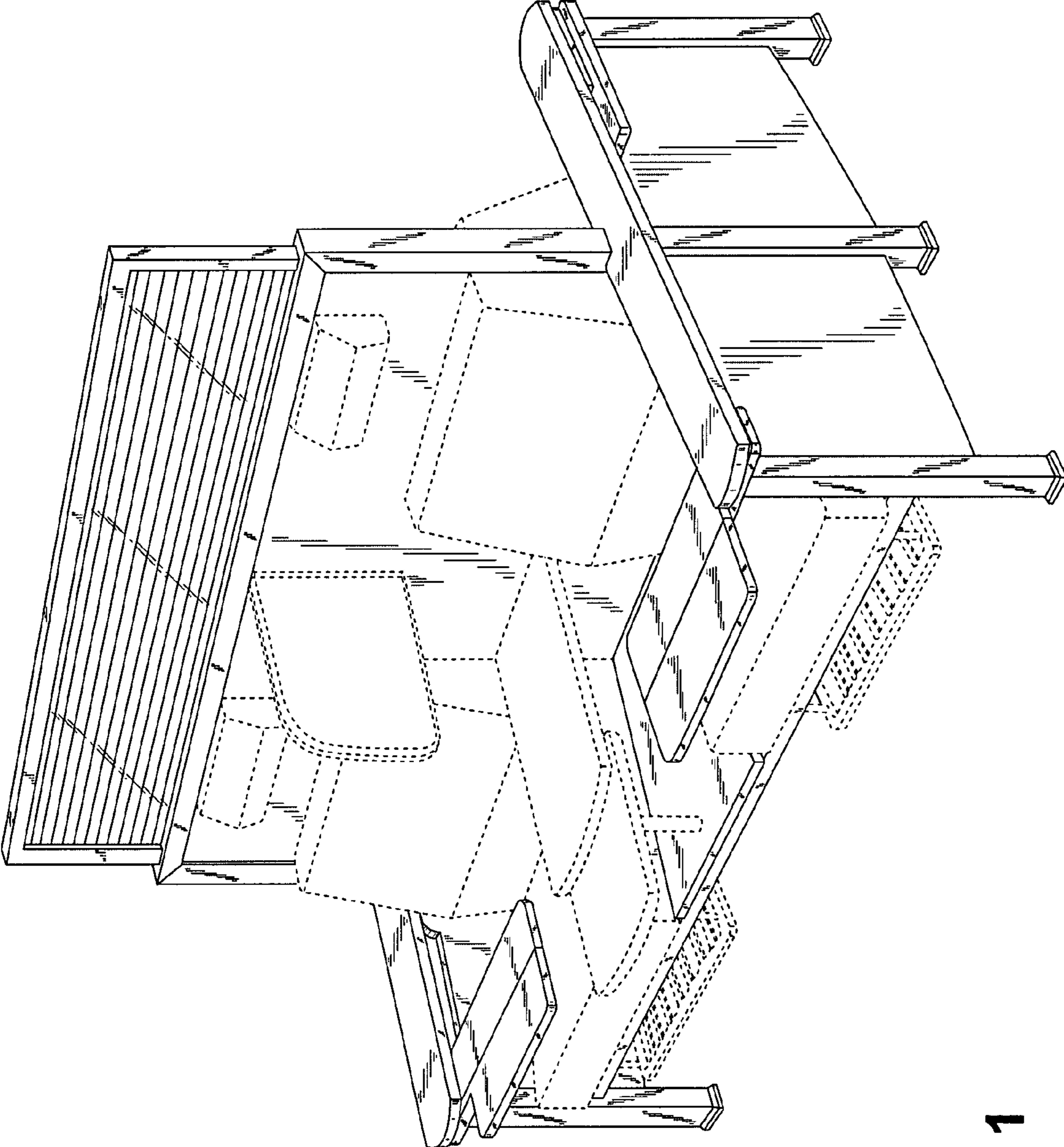


Fig. 1

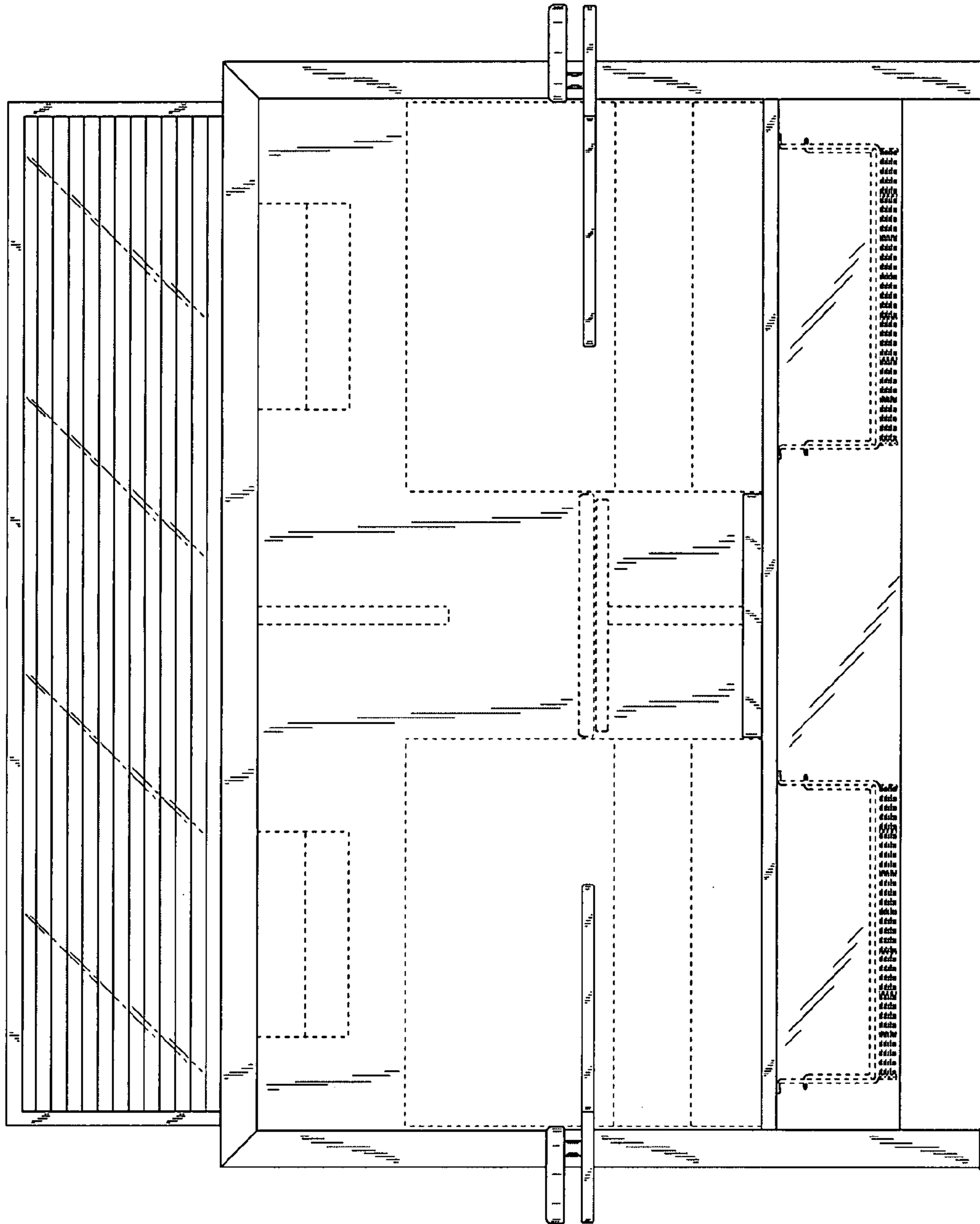


Fig. 2

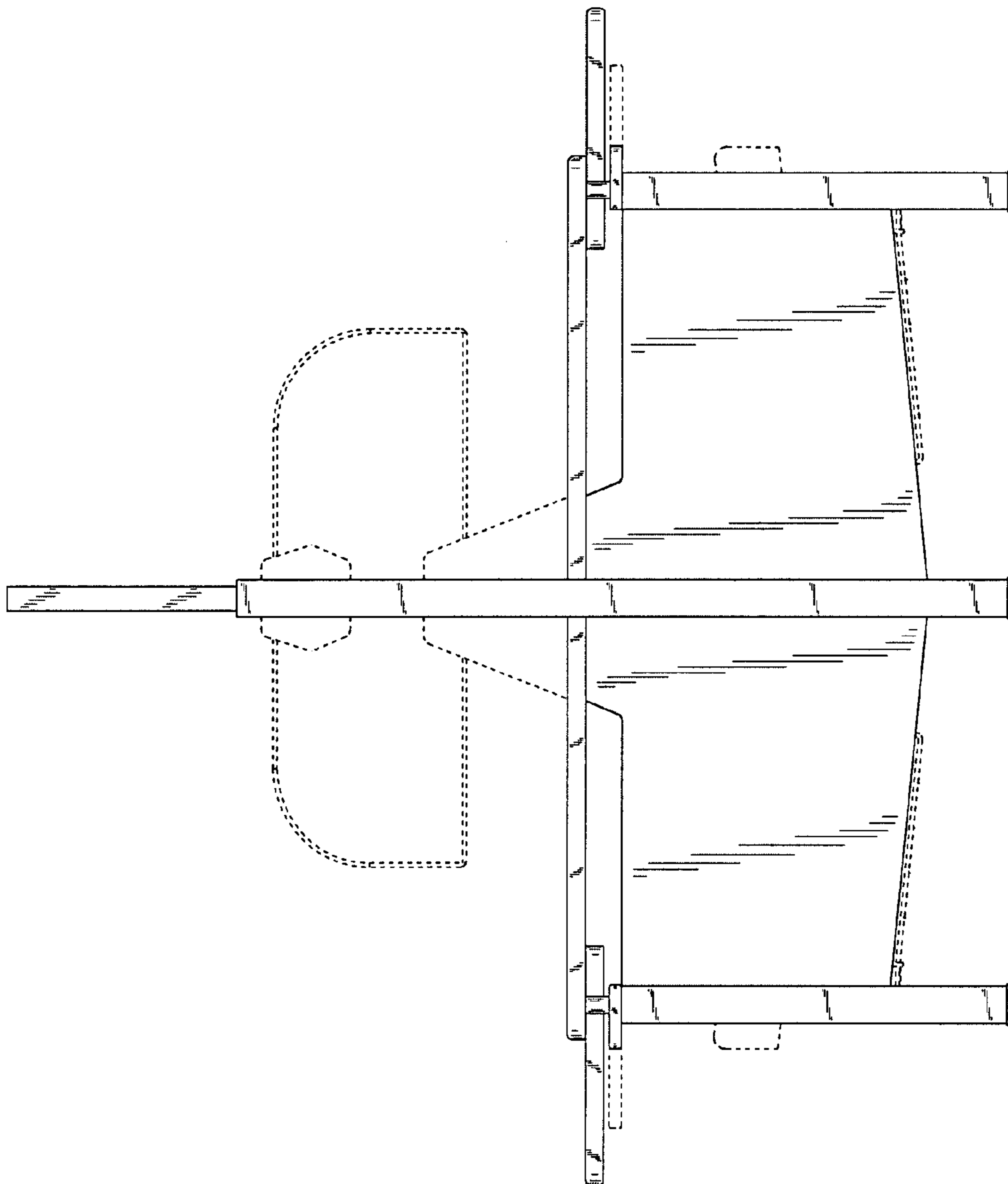


Fig. 3

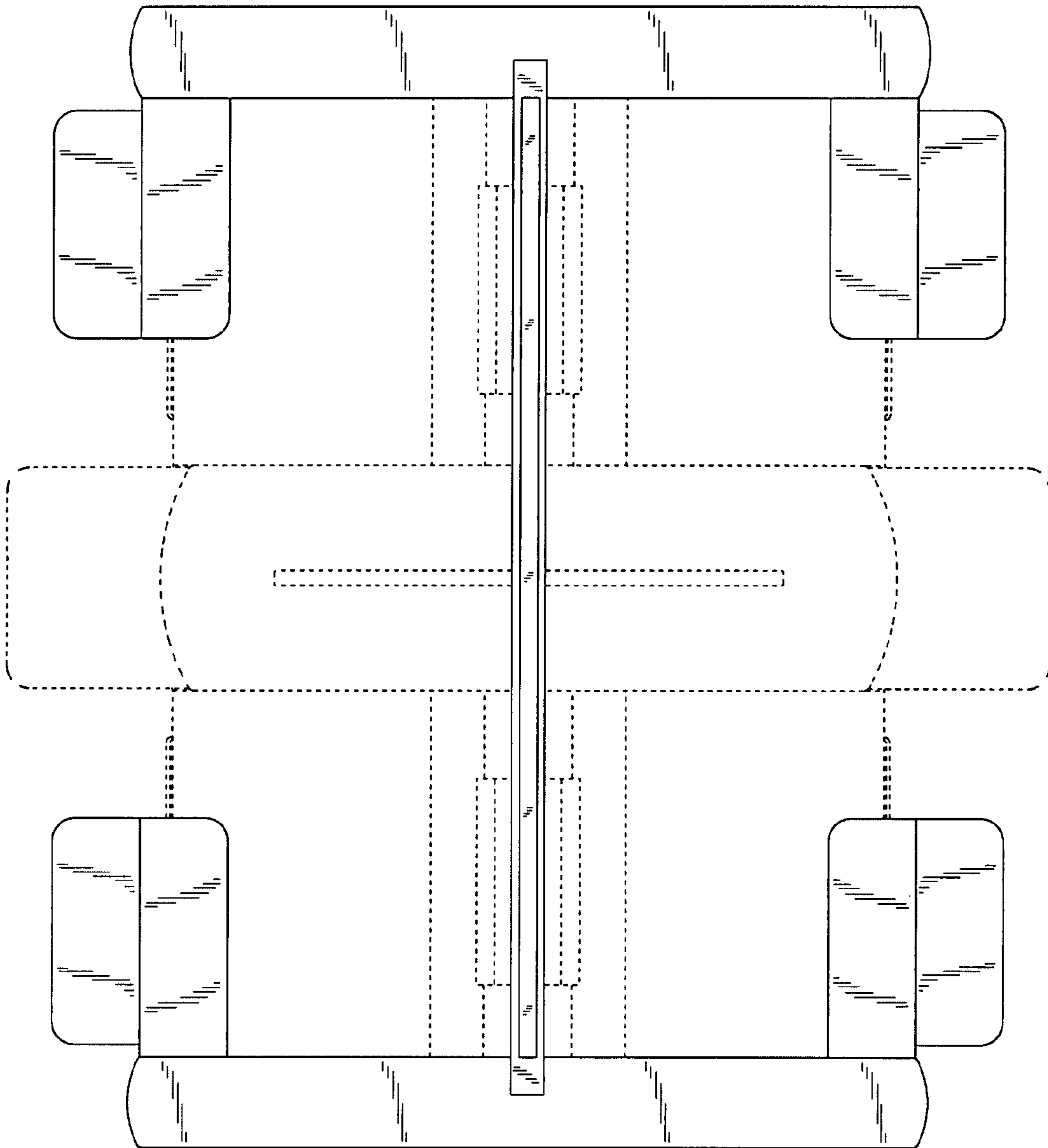


Fig. 4