

US00D565843S

(12) **United States Design Patent**
Mackintosh

(10) **Patent No.:** **US D565,843 S**

(45) **Date of Patent:** **** Apr. 8, 2008**

(54) **HEAD OF A TOOTHBRUSH**

7,174,596 B2 * 2/2007 Fischer et al. 15/110

* cited by examiner

(75) Inventor: **James Stuart Mackintosh**, Hong Kong (CN)

Primary Examiner—Cathron Brooks

Assistant Examiner—Lavone D. Tabor

(73) Assignee: **Melrose International Limited**, Kowloon (HK)

(74) *Attorney, Agent, or Firm*—Leydig, Voit & Mayer, Ltd.

(**) Term: **14 Years**

(57) **CLAIM**

(21) Appl. No.: **29/284,215**

I claim the ornamental design for a head of a toothbrush, as shown and described.

(22) Filed: **Sep. 4, 2007**

DESCRIPTION

(51) **LOC (8) Cl.** **04-02**

FIG. 1 is a first perspective view of a head of a toothbrush according to my new design;

(52) **U.S. Cl.** **D4/104; D4/136**

FIG. 2 is an enlarged bottom view thereof;

(58) **Field of Classification Search** D4/101,

FIG. 3 is an enlarged top view thereof;

D4/104–112, 132, 134, 136, 138; 15/110,

FIG. 4 is an enlarged left side view thereof;

15/167.1, 167.2, 176.1, 176.6, 188; 132/308–311;

FIG. 5 is an enlarged right side view thereof;

601/139, 141

FIG. 6 is an enlarged inner end view thereof;

See application file for complete search history.

FIG. 7 is an enlarged outer end view thereof;

(56) **References Cited**

U.S. PATENT DOCUMENTS

FIG. 8 is an enlarged bottom perspective view thereof; and,

FIG. 9 is an enlarged top perspective view thereof.

D402,117 S * 12/1998 Fleming et al. D4/104

The broken line showing of a handle in FIG. 1 is included for the purpose of illustrating environmental structure that forms no part of the claimed design.

D420,804 S * 2/2000 Juhlin et al. D4/104

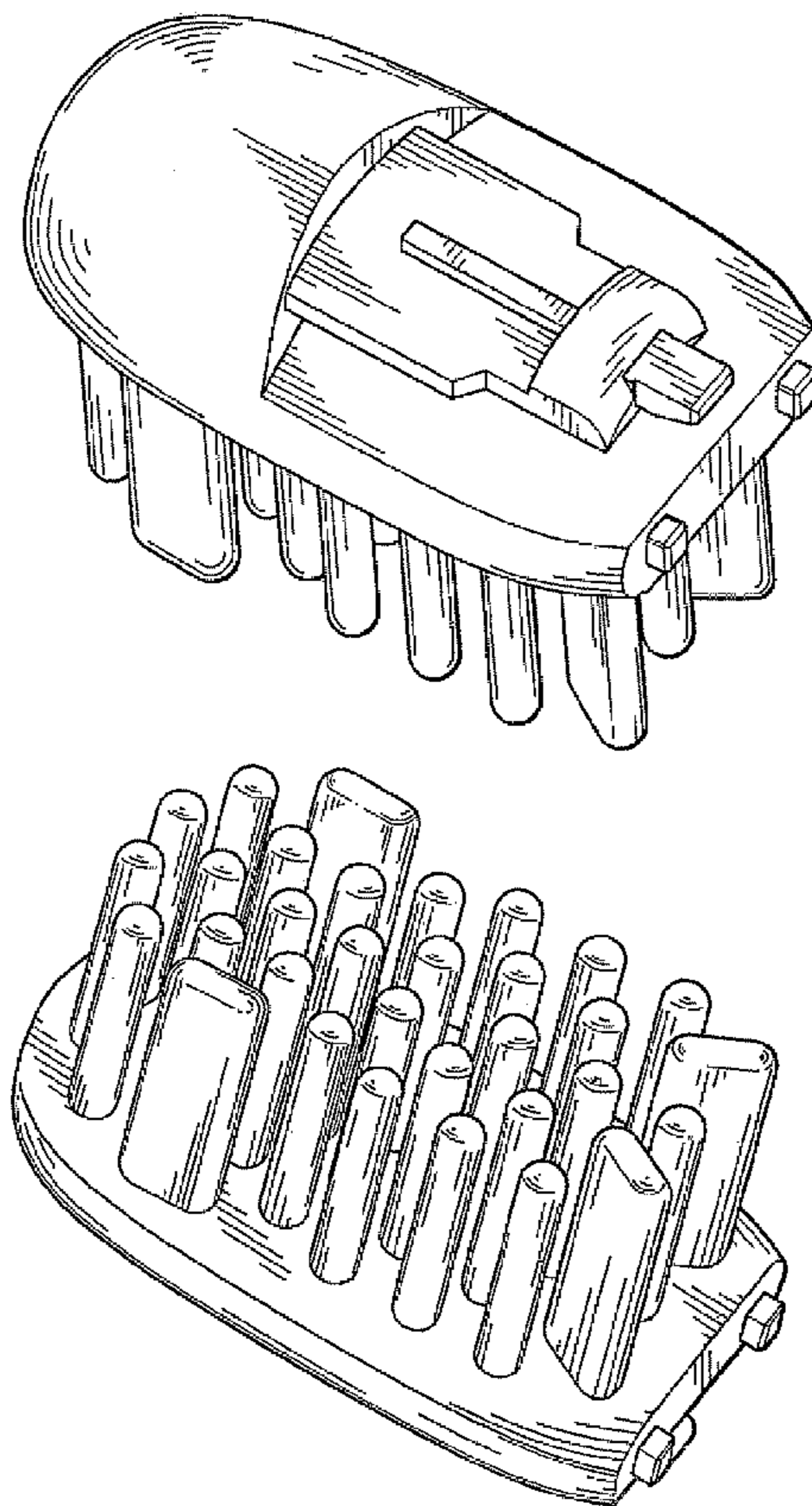
6,237,183 B1 * 5/2001 Fischer 15/167.1

6,276,021 B1 * 8/2001 Hohlbein 15/167.1

D478,214 S * 8/2003 Winkler et al. D4/104

7,024,718 B2 * 4/2006 Chu 15/22.2

1 Claim, 5 Drawing Sheets



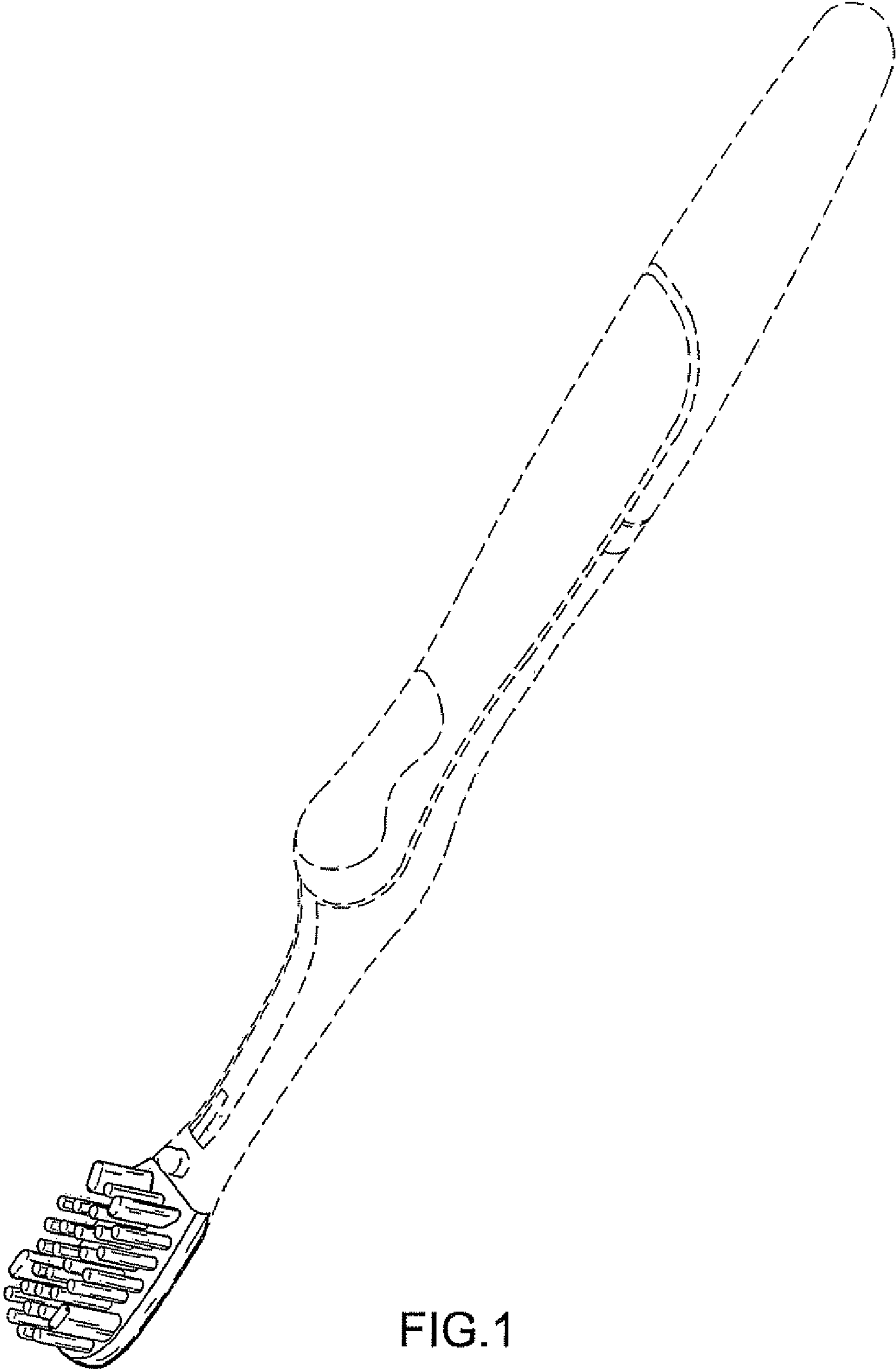


FIG.1

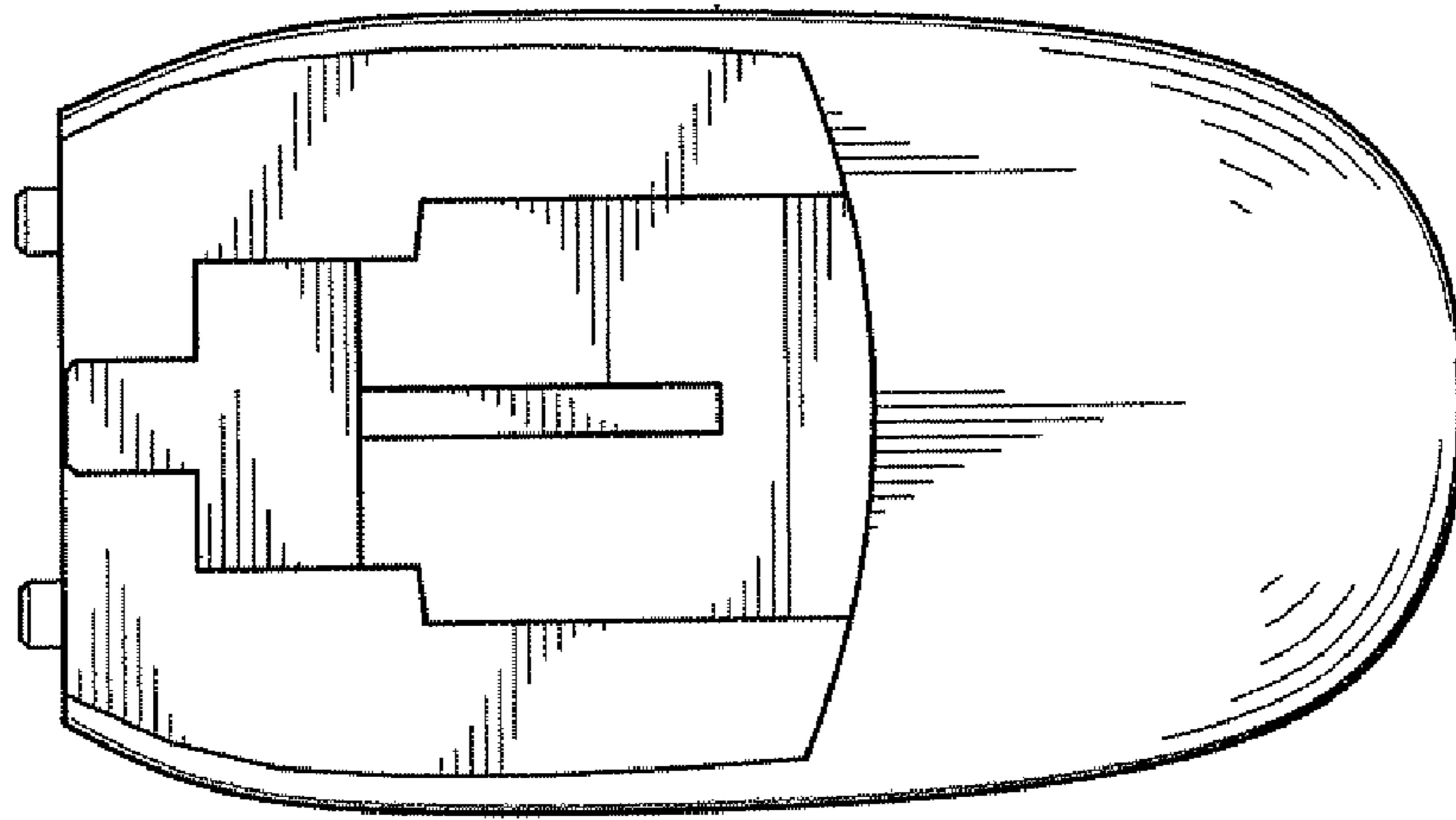


FIG. 2

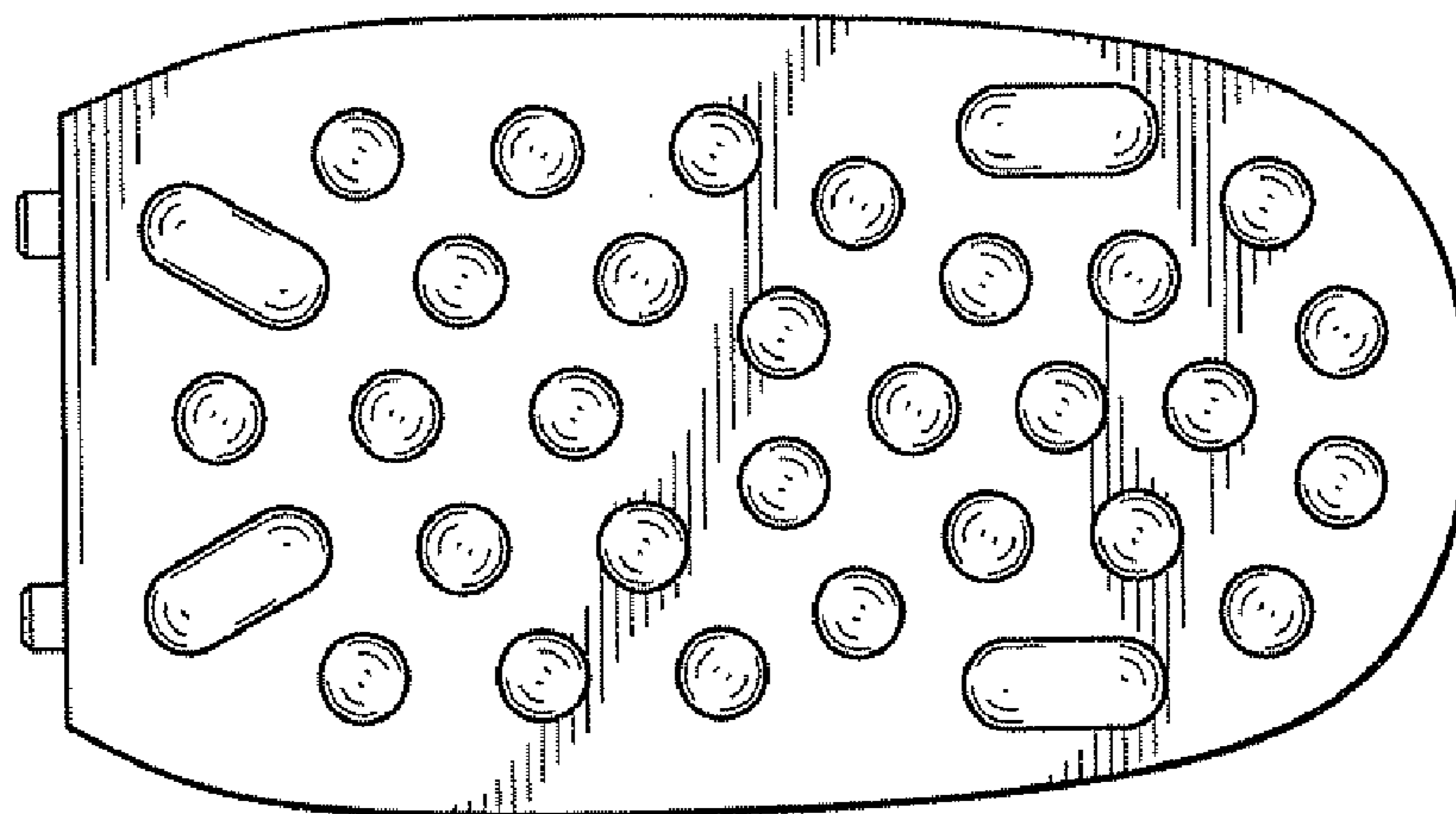


FIG. 3

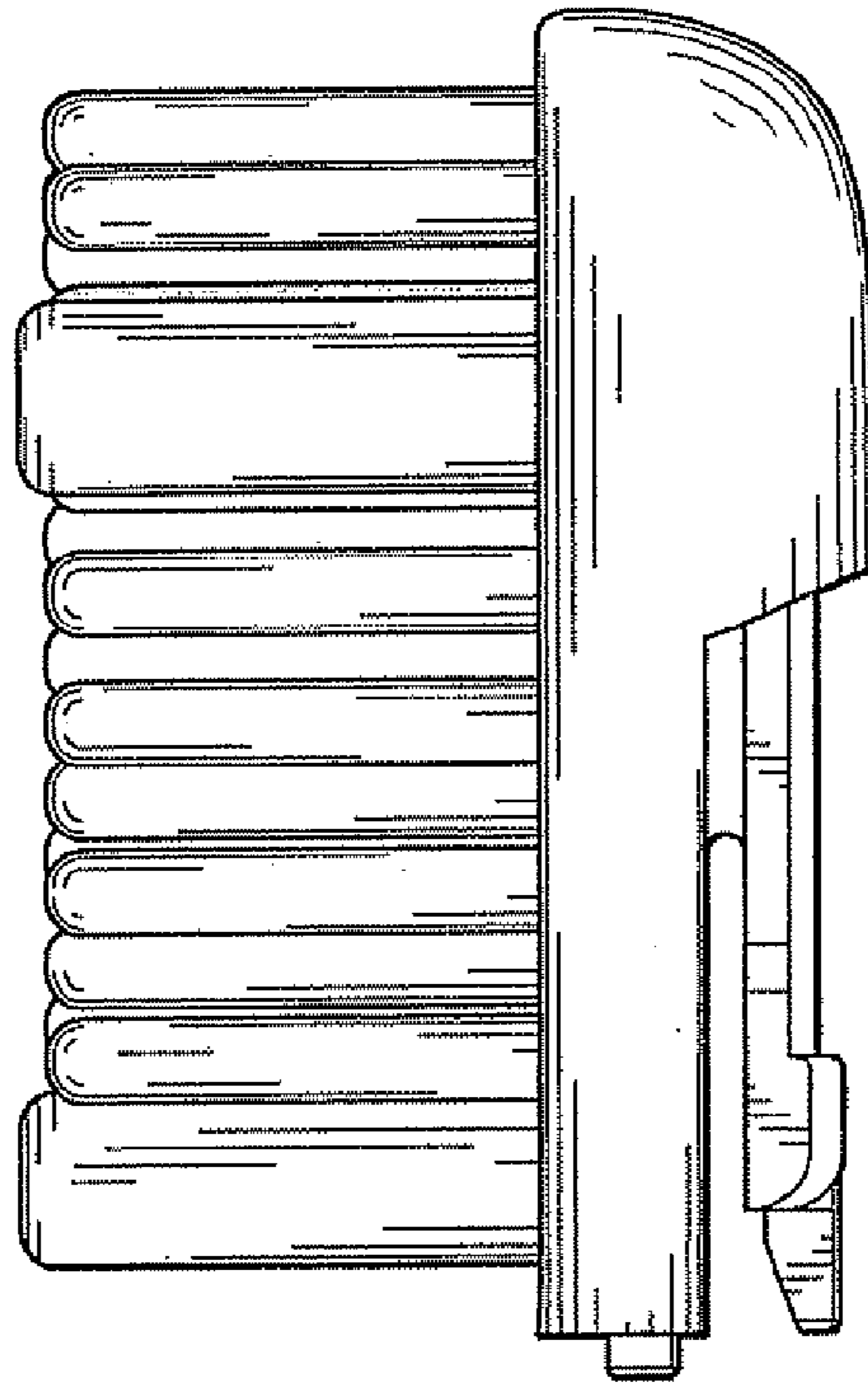


FIG. 4

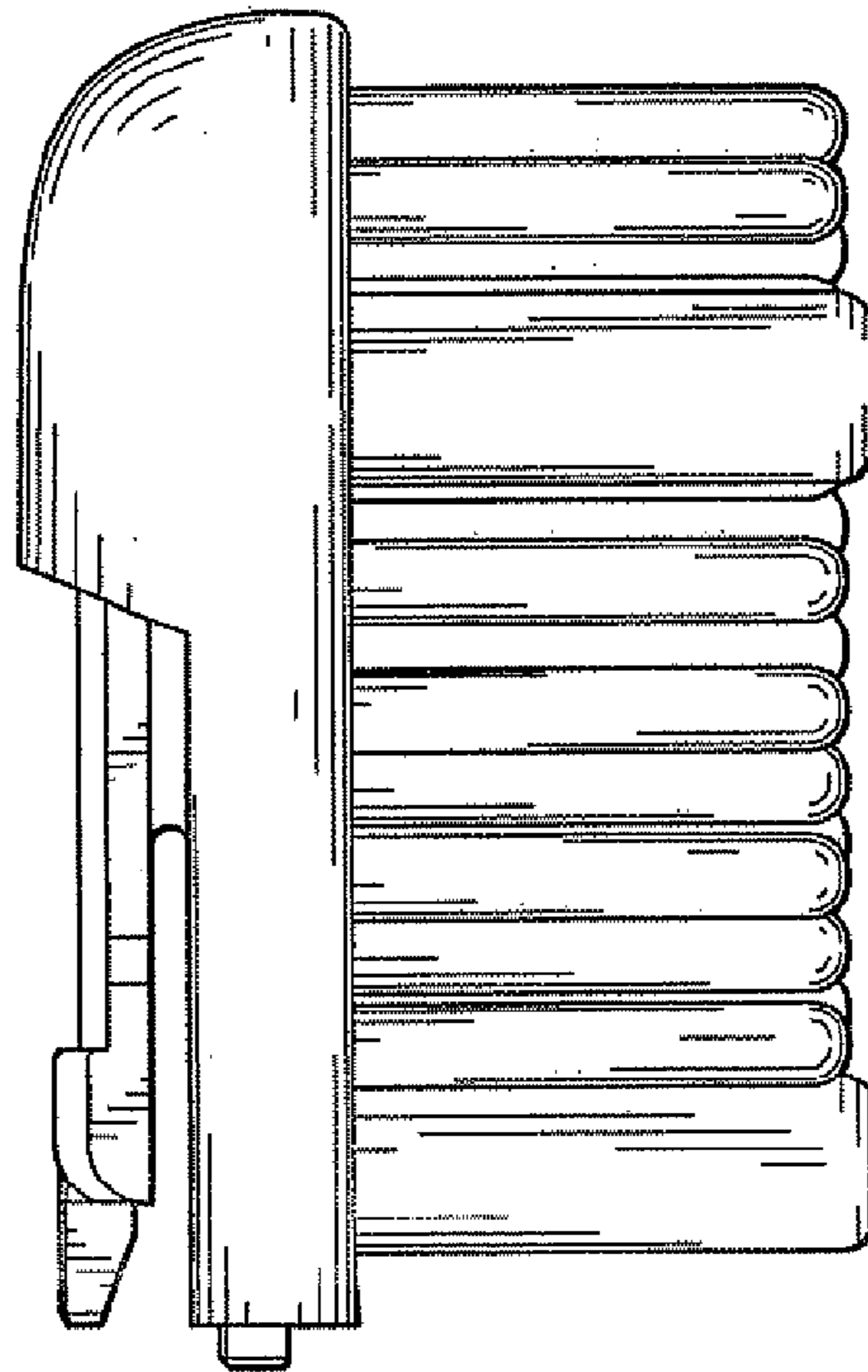


FIG. 5

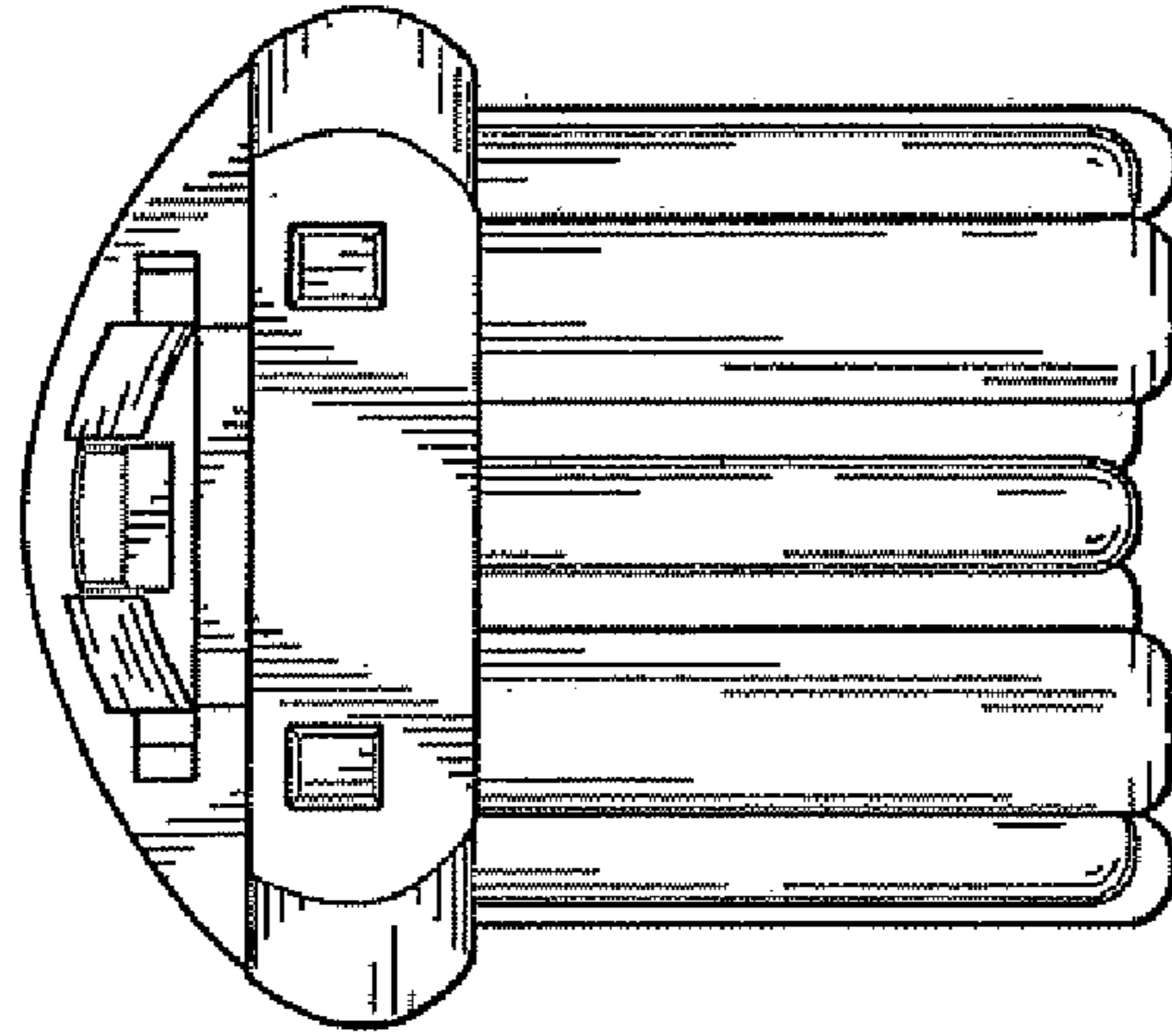


FIG. 6

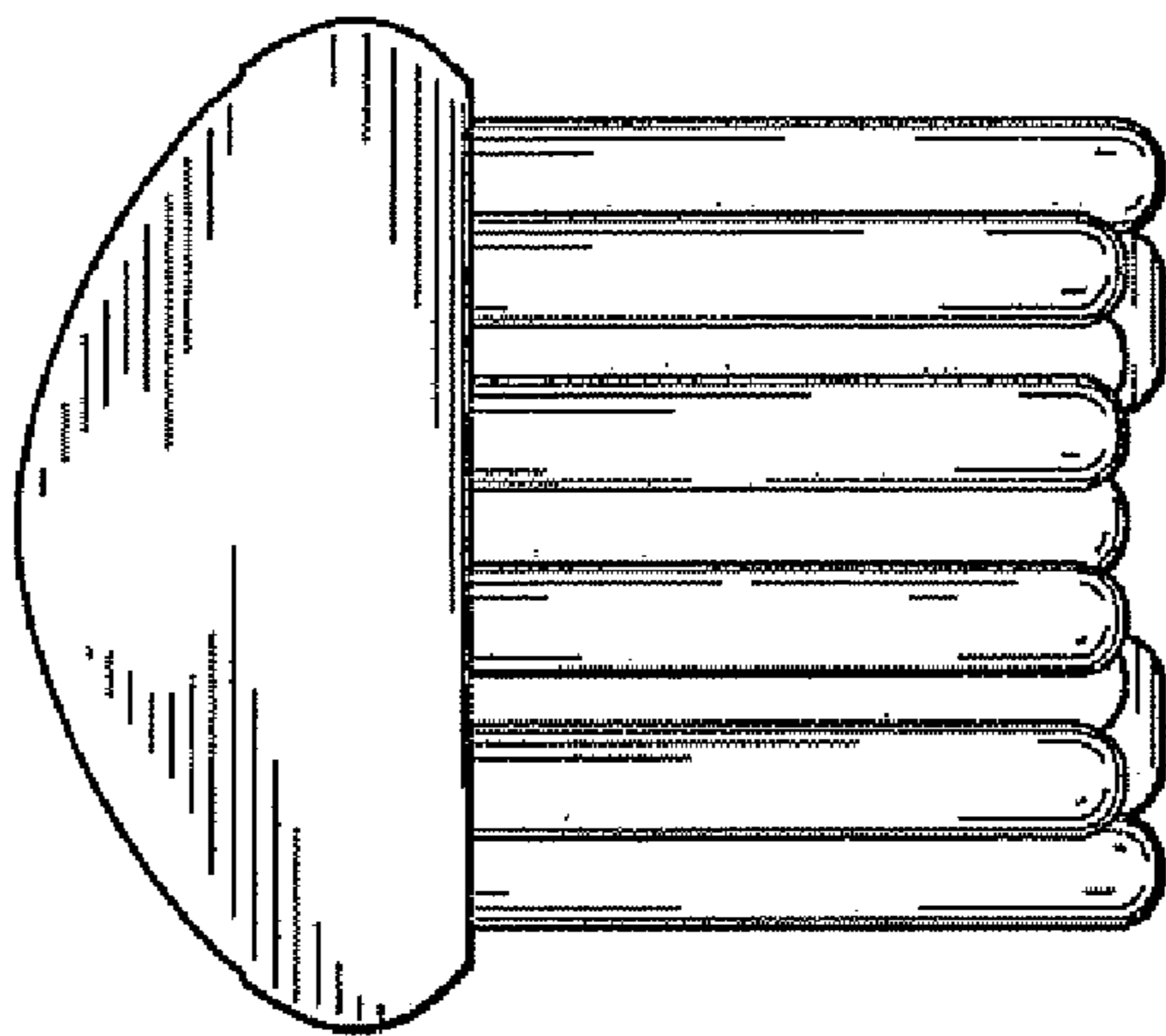


FIG. 7

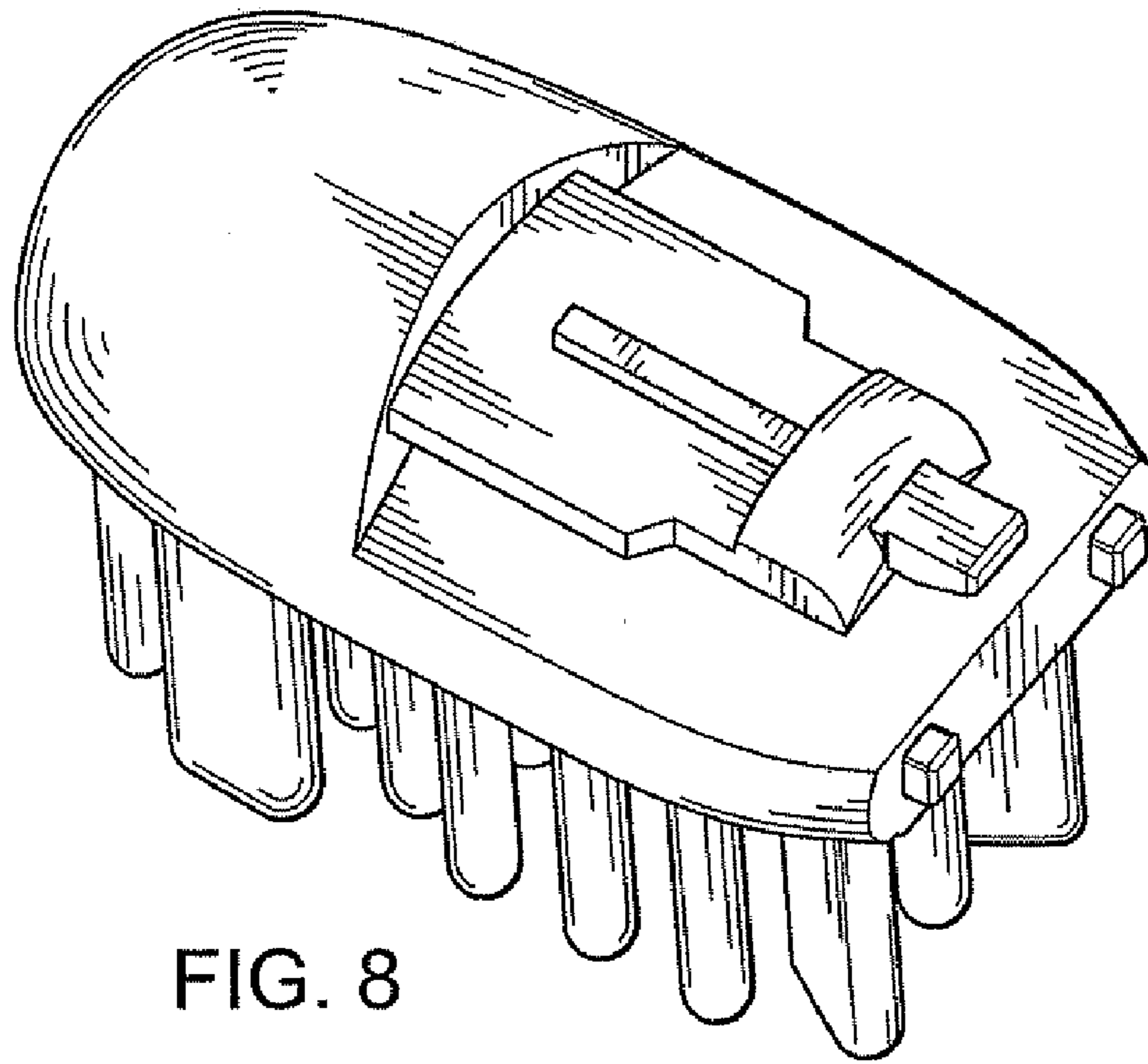


FIG. 8

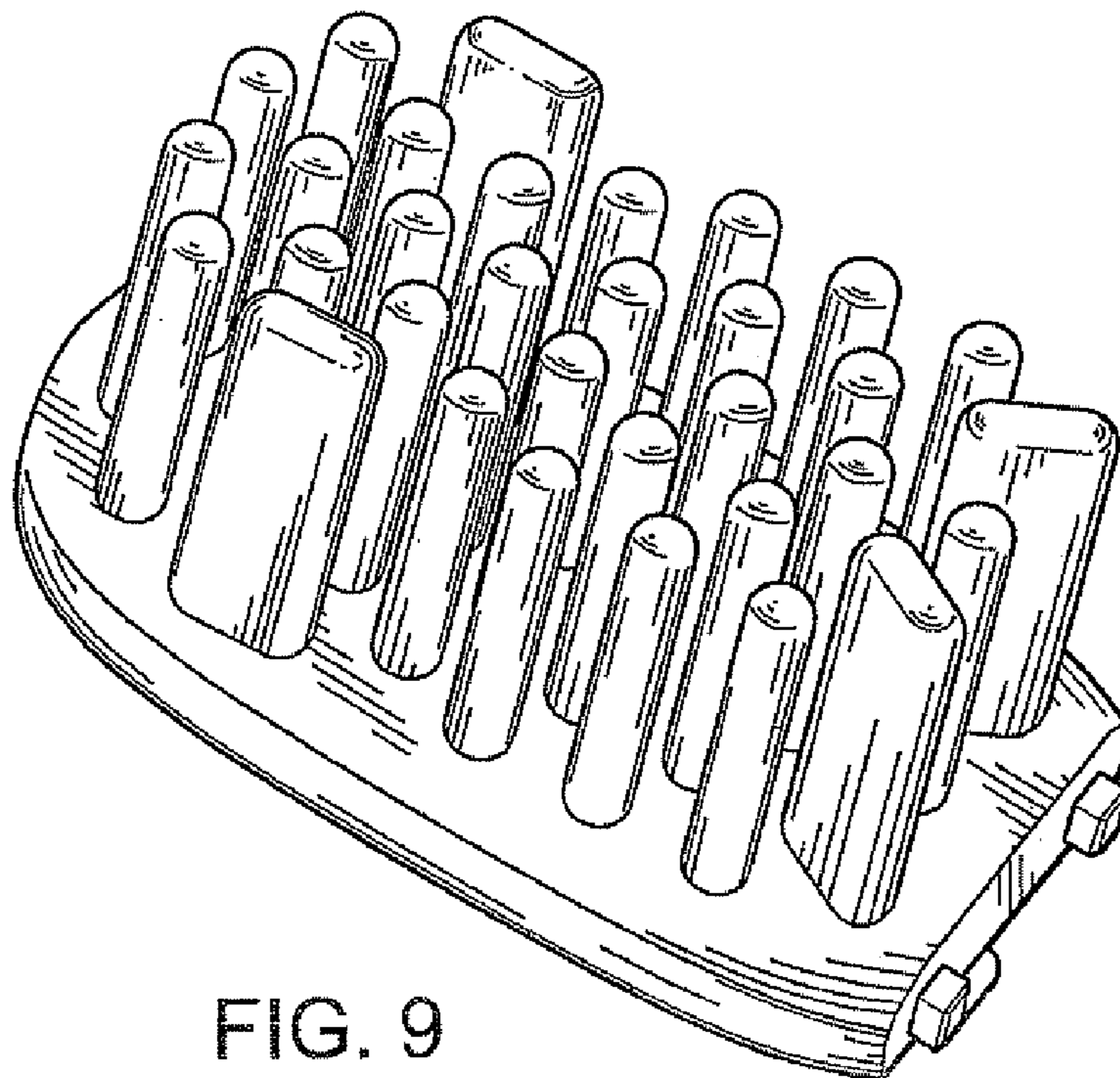


FIG. 9