



US00D565841S

(12) **United States Design Patent**
Kim

(10) **Patent No.:** **US D565,841 S**

(45) **Date of Patent:** **** Apr. 8, 2008**

(54) **CELL PHONE BELT CLIP**

(75) Inventor: **Rick Kim**, Santa Fe Springs, CA (US)

(73) Assignee: **Pagecomm International Inc.**, Santa Fe Springs, CA (US)

(**) Term: **14 Years**

(21) Appl. No.: **29/282,731**

(22) Filed: **Jul. 27, 2007**

(51) **LOC (8) Cl.** **03-01**

(52) **U.S. Cl.** **D3/218**

(58) **Field of Classification Search** D3/218,
D3/215, 219, 226; 224/236, 240, 165, 197,
224/196, 242, 669, 930, 271; 379/455, 446;
24/3.11, 3.12, 3.13

See application file for complete search history.

(56) **References Cited**

U.S. PATENT DOCUMENTS

D492,108 S *	6/2004	Goradesky	D3/218
D504,768 S *	5/2005	Goradesky	D3/218
D520,739 S *	5/2006	Tsai et al.	D3/218
D548,960 S *	8/2007	Tages et al.	D3/218

D550,450 S *	9/2007	Dong et al.	D3/218
2003/0102341 A1 *	6/2003	Iitsuka	224/197
2006/0237494 A1 *	10/2006	Fichera	224/197

* cited by examiner

Primary Examiner—Catherine R. Oliver

(74) *Attorney, Agent, or Firm*—Felix I. Fischer

(57) **CLAIM**

The ornamental design for a cell phone belt clip, as shown and described.

DESCRIPTION

FIG. 1 is a front view of a cell phone belt clip according to the present design with the connection plug in the straight position;

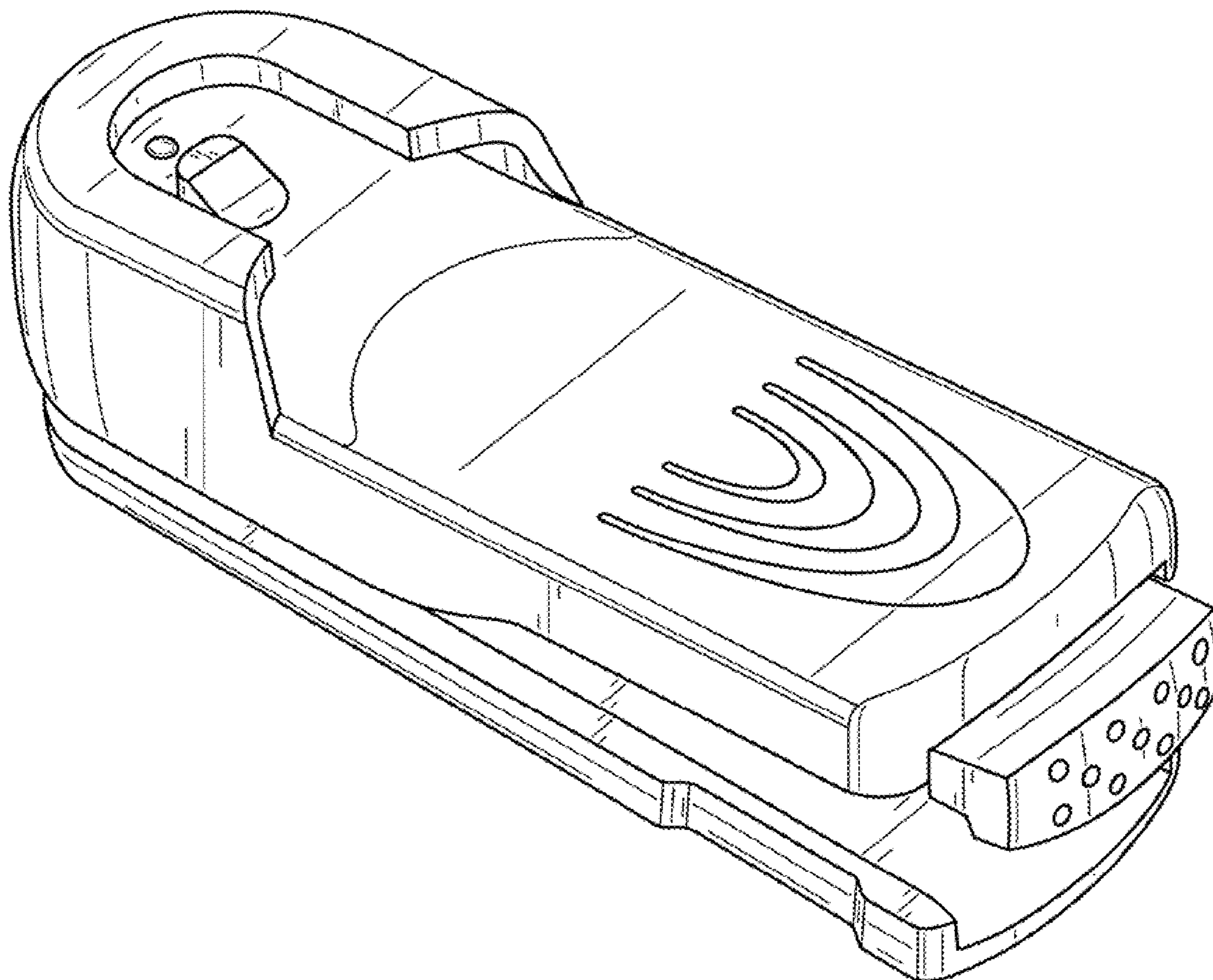
FIG. 2 is a side view of the cell phone belt clip of FIG. 1;

FIG. 3 is a rear view of the cell phone belt clip of FIG. 1;

FIG. 4 is an end view of the cell phone belt clip of FIG. 1; and,

FIG. 5 is a top, front and end perspective view of the cell phone belt clip of FIG. 1.

1 Claim, 5 Drawing Sheets



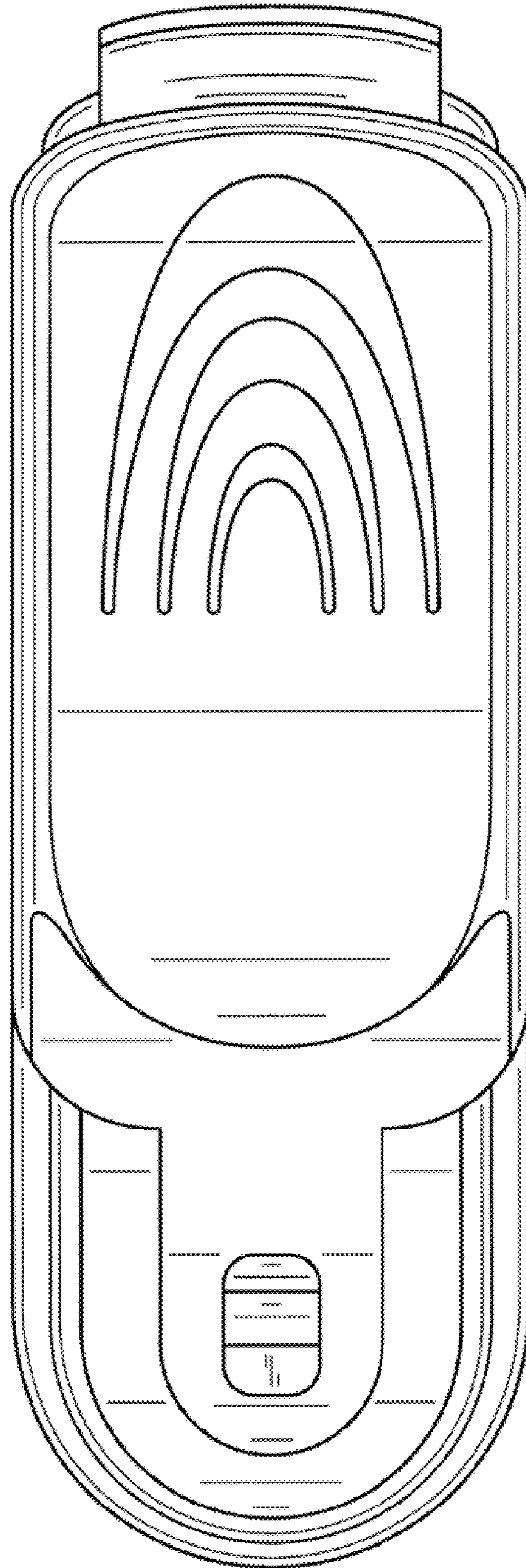


FIG. 1

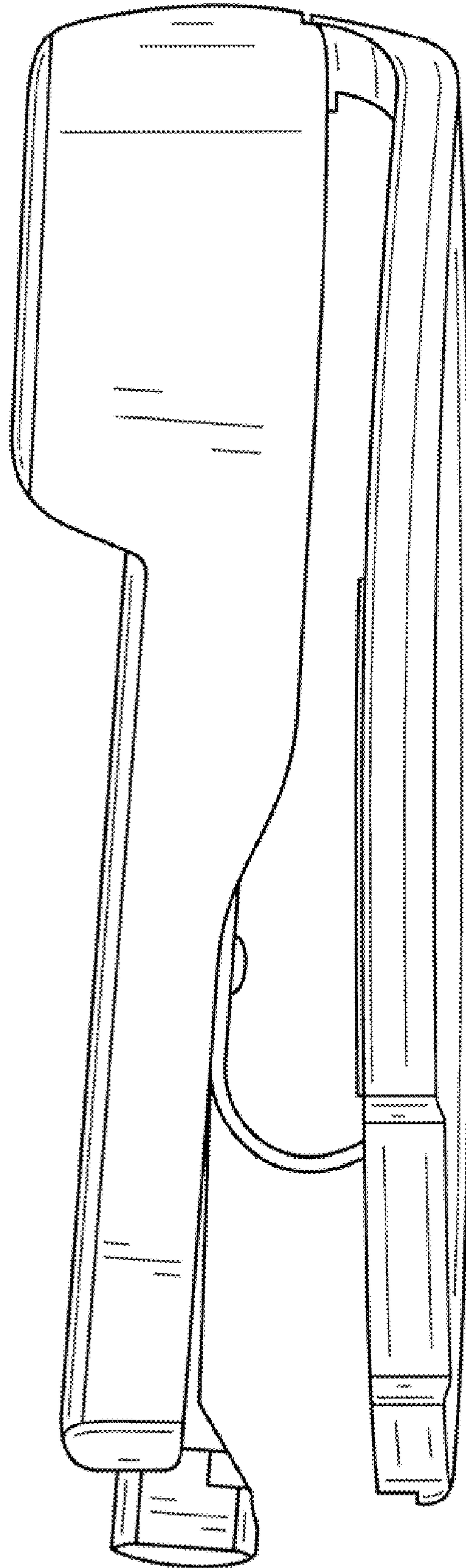


FIG. 2

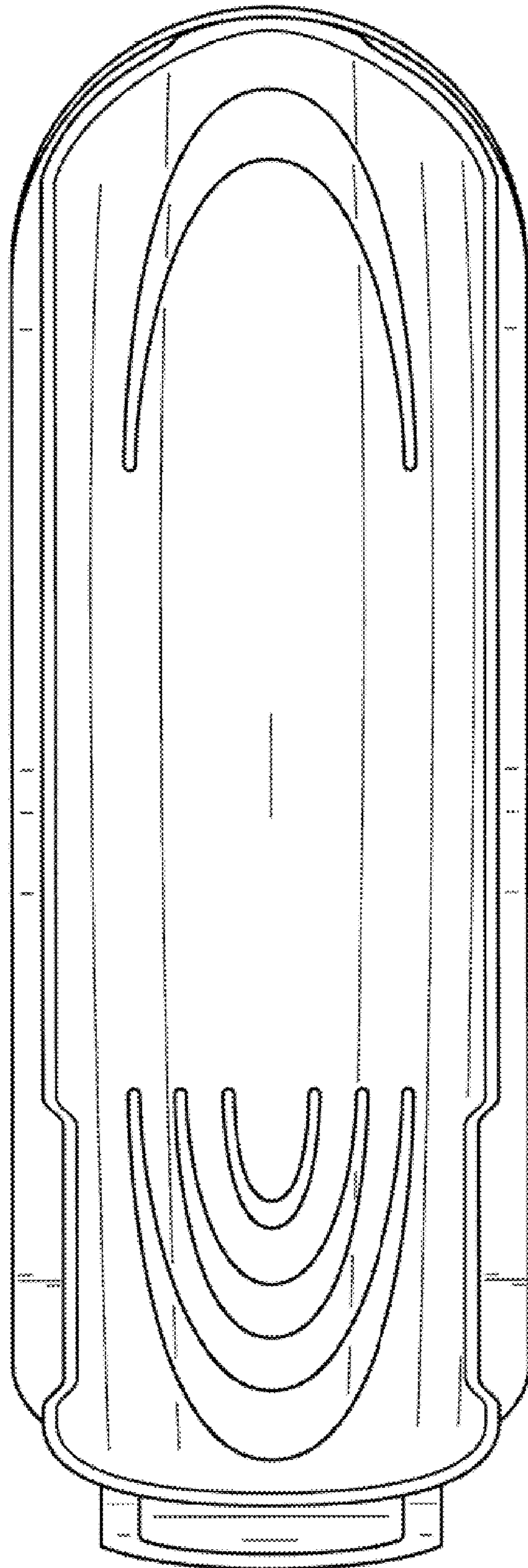


FIG. 3

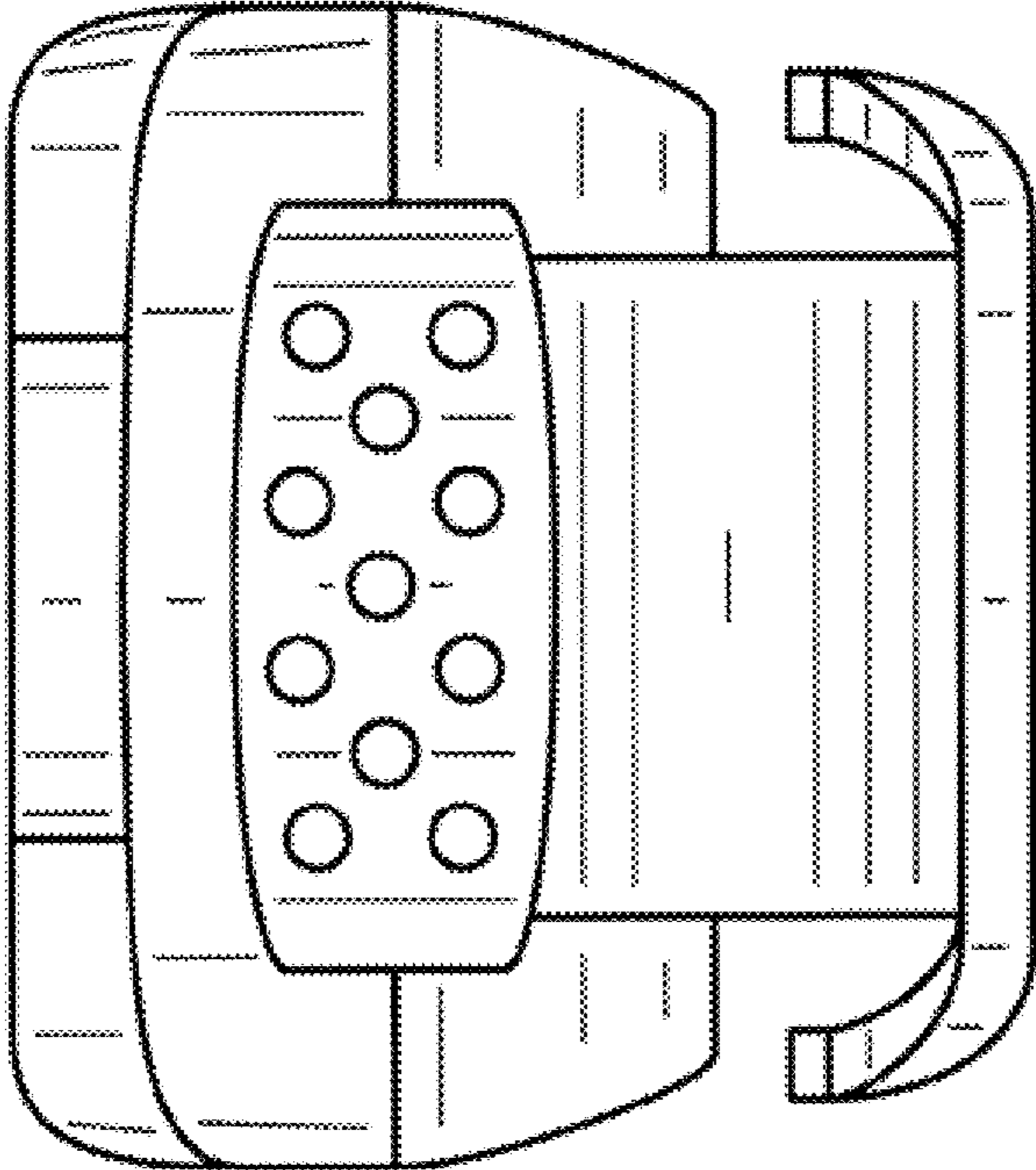


FIG. 4

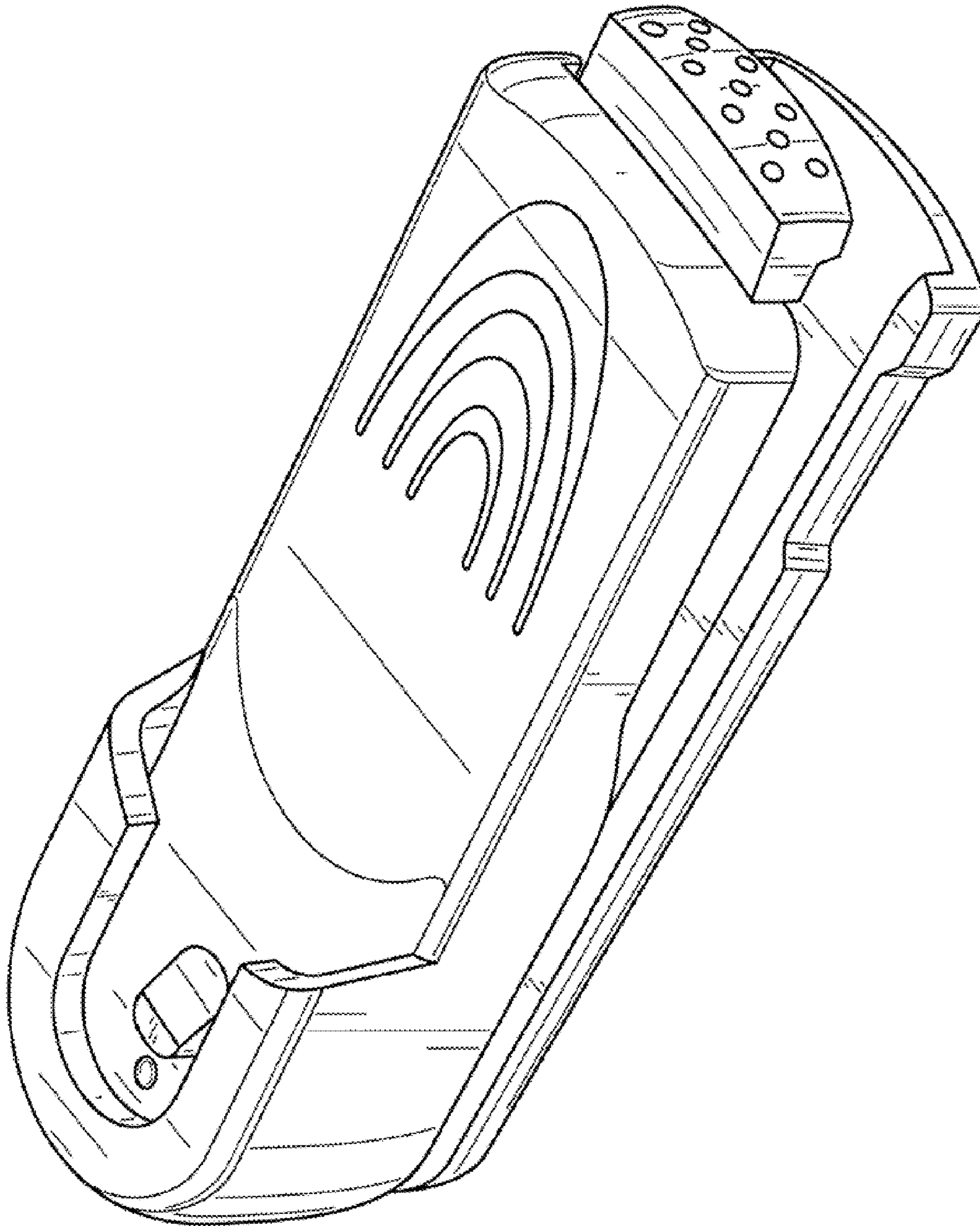


FIG. 5