



US00D565839S

(12) **United States Design Patent** (10) **Patent No.:** **US D565,839 S**
Allen (45) **Date of Patent:** **** Apr. 8, 2008**

(54) **LOCKING CAGE FOR A PORTABLE MUSIC PLAYER**

Primary Examiner—Catherine R. Oliver
(74) *Attorney, Agent, or Firm*—Alfred M. Walker

(76) **Inventor:** **Peter Allen**, 15 Berry Hill Rd., Oyster Bay Cove, NY (US) 11771

(57) **CLAIM**

(**) **Term:** **14 Years**

The ornamental design for a locking cage for a portable music player, as shown and described.

(21) **Appl. No.:** **29/267,239**

(22) **Filed:** **Oct. 10, 2006**

DESCRIPTION

(51) **LOC (8) Cl.** **03-01**

(52) **U.S. Cl.** **D3/218**

(58) **Field of Classification Search** D3/218,
D3/215, 219, 230, 299, 201; 206/305, 308.2,
206/387.1, 459.5; 379/419–420, 454–455;
D6/632, 634; 455/90, 515–550; D14/140–142
See application file for complete search history.

FIG. 1 is a perspective view of a locking cage for a portable music player, showing my new design.

FIG. 2 is a front elevation view thereof.

FIG. 3 is a rear elevation view thereof.

FIG. 4 is a right side elevation view thereof.

FIG. 5 is a left side elevation view thereof.

FIG. 6 is a bottom view thereof.

FIG. 7 is a top plan view thereof; and,

FIG. 8 is an inverted front elevation view thereof, shown in a rotated position of use suspended from a padlock and belt loop, wherein a portable music player lock is shown in phantom lines inserted within; and wherein the padlock, belt and belt loop are also shown in phantom lines.

(56) **References Cited**

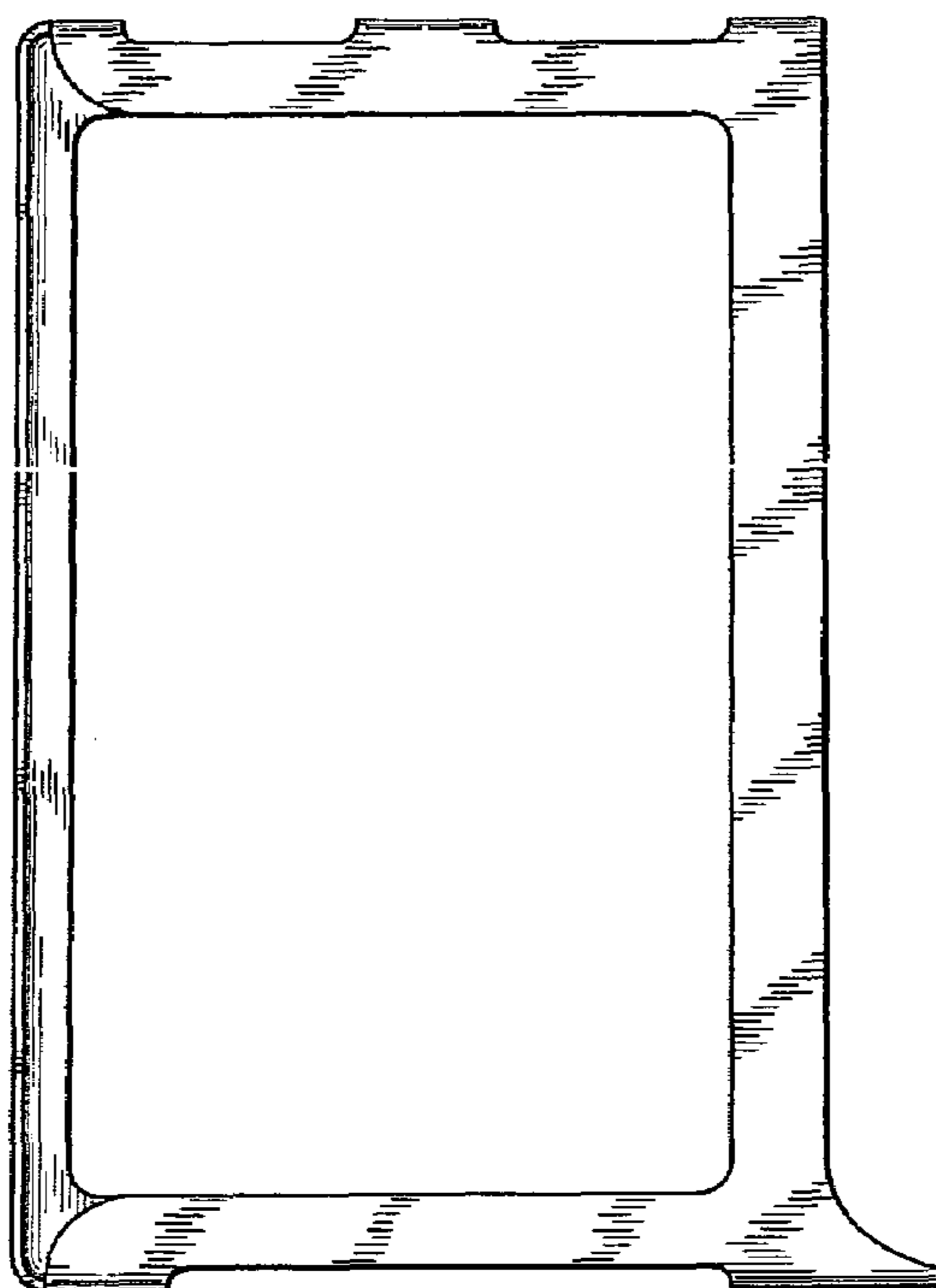
U.S. PATENT DOCUMENTS

5,560,481	A *	10/1996	Doodson et al.	206/387.1
D485,060	S *	1/2004	DeCotis	D3/215
D491,009	S *	6/2004	Burdett et al.	D6/632
D499,546	S *	12/2004	Smithers	D3/218
D503,532	S *	4/2005	Andre et al.	D3/218
D519,731	S *	5/2006	Andre et al.	D3/218
D521,232	S *	5/2006	Andre et al.	D3/218
D533,994	S *	12/2006	Hussaini et al.	D3/218
2003/0085143	A1 *	5/2003	Yatabe	206/387.1
2007/0205125	A1 *	9/2007	Ikebe et al.	206/387.1

The portable music player, pad lock, belt, belt loop, and directional arrows shown in phantom lines are shown for environmental purposes only, and form no part of the claimed design.

* cited by examiner

1 Claim, 5 Drawing Sheets



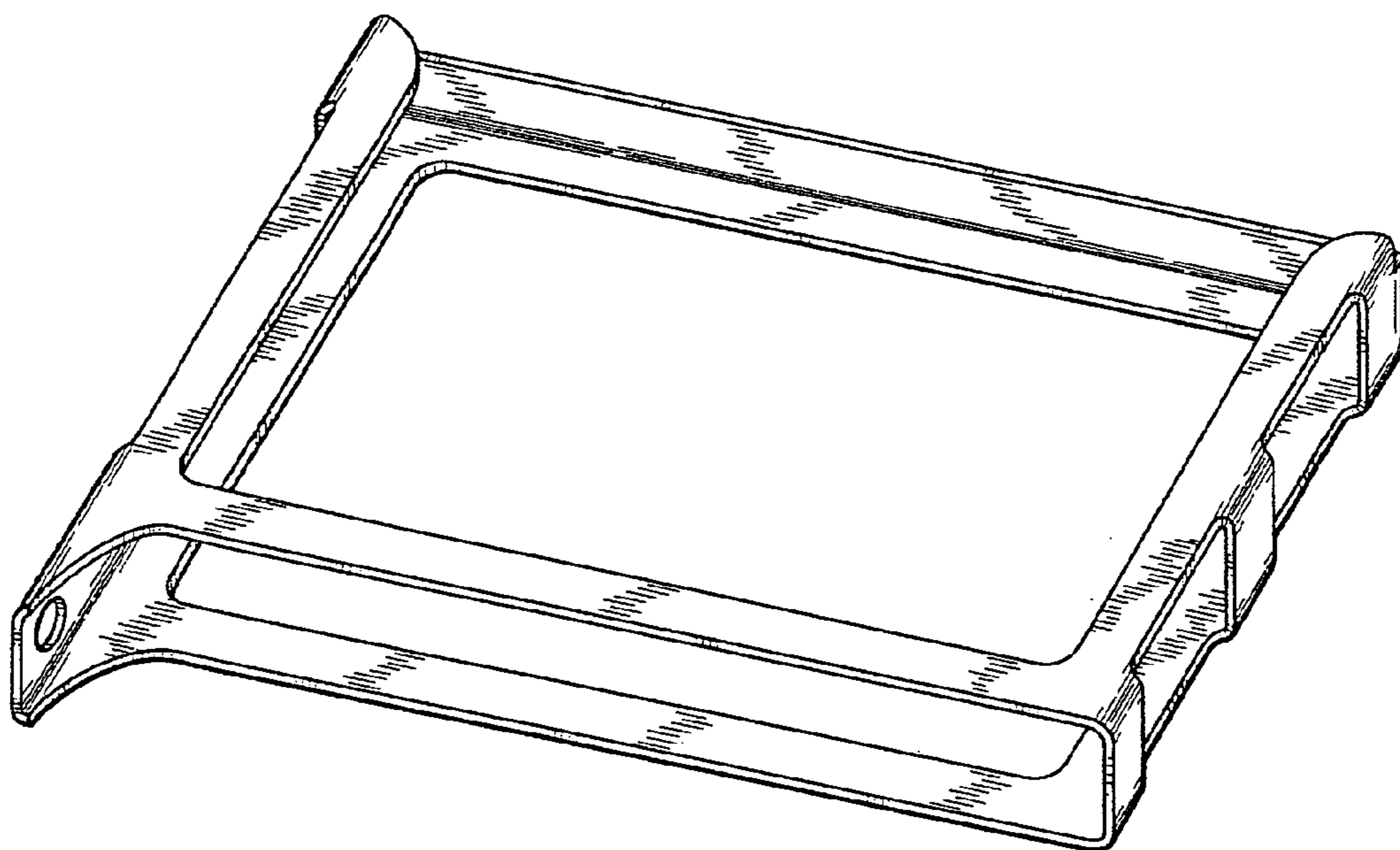


FIG. 1

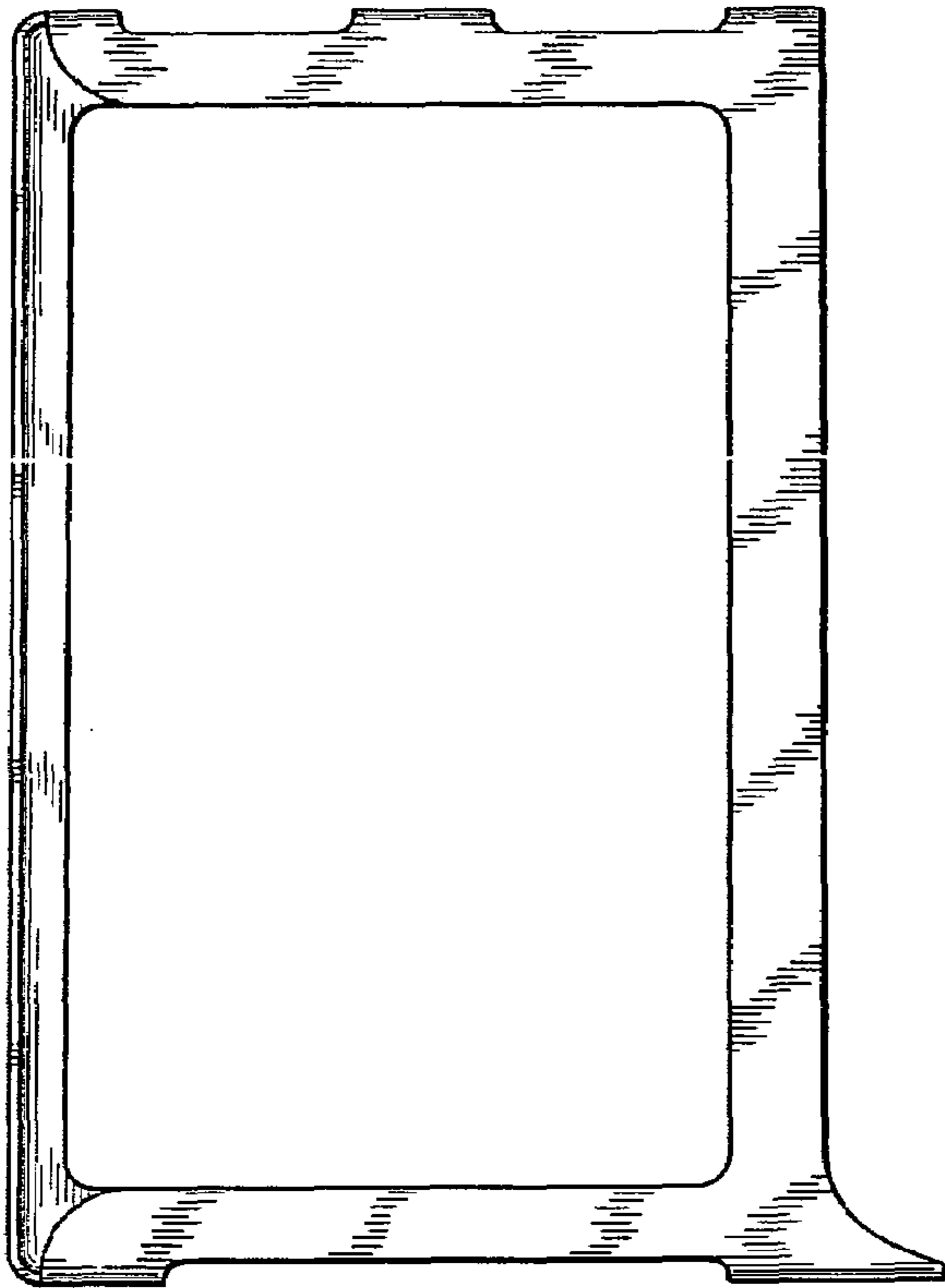


FIG. 2

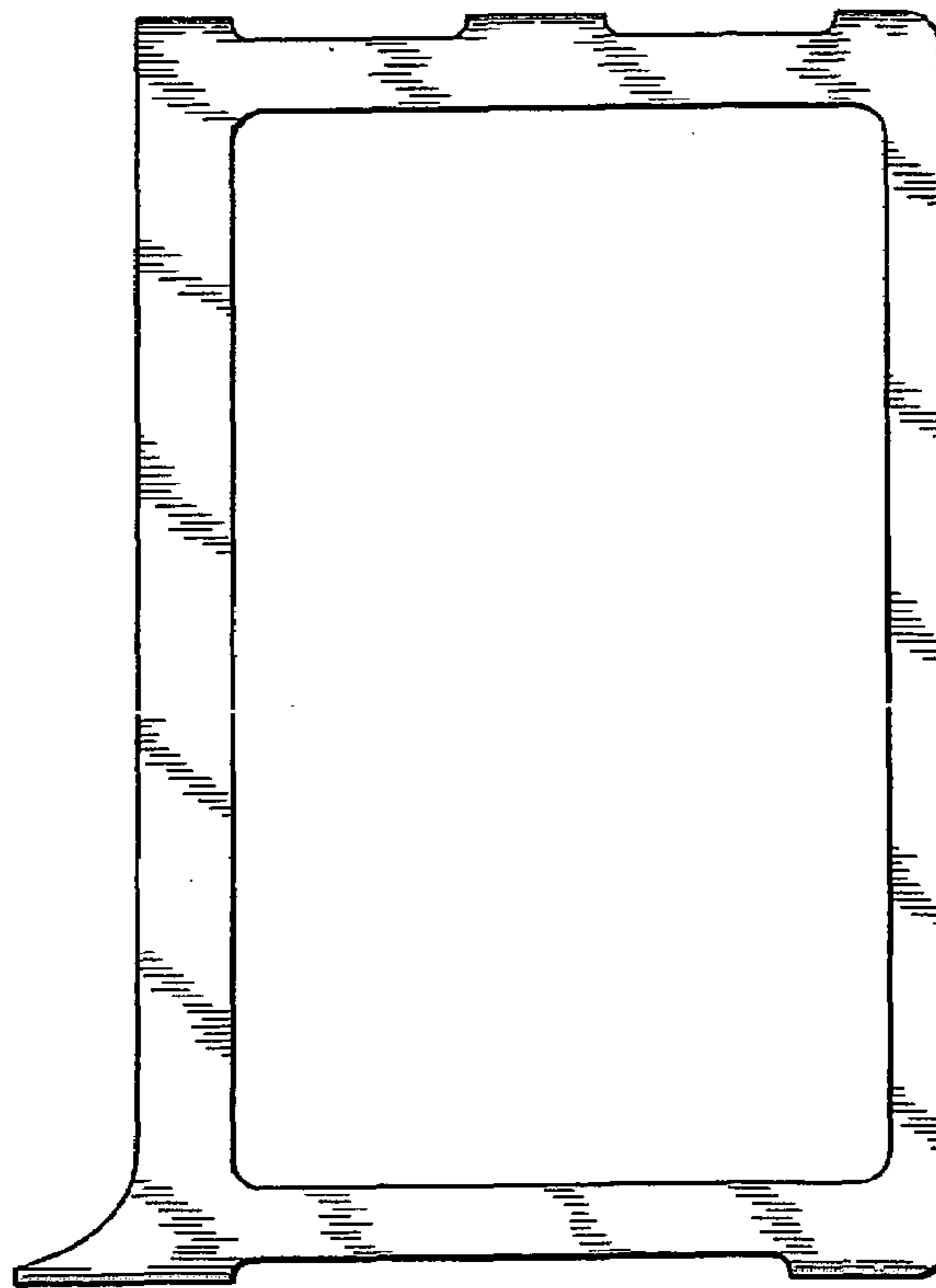


FIG. 3



FIG. 4



FIG. 5



FIG. 6

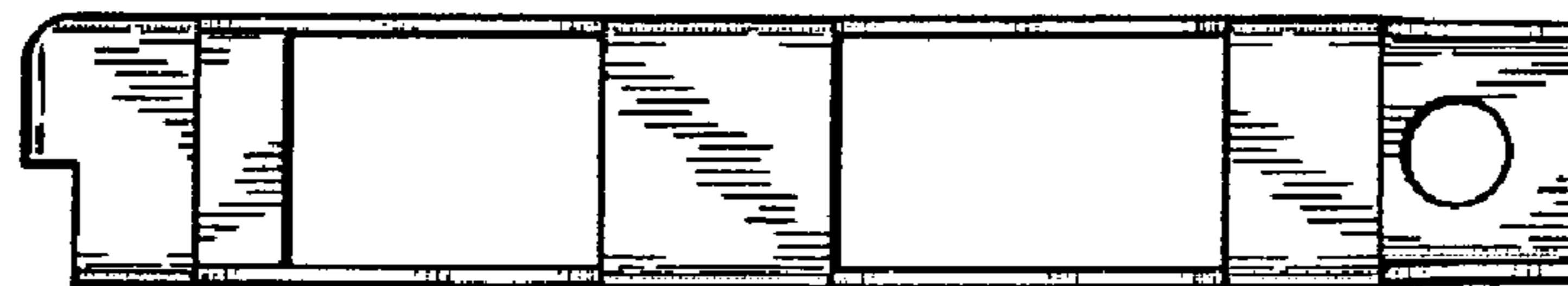


FIG. 7

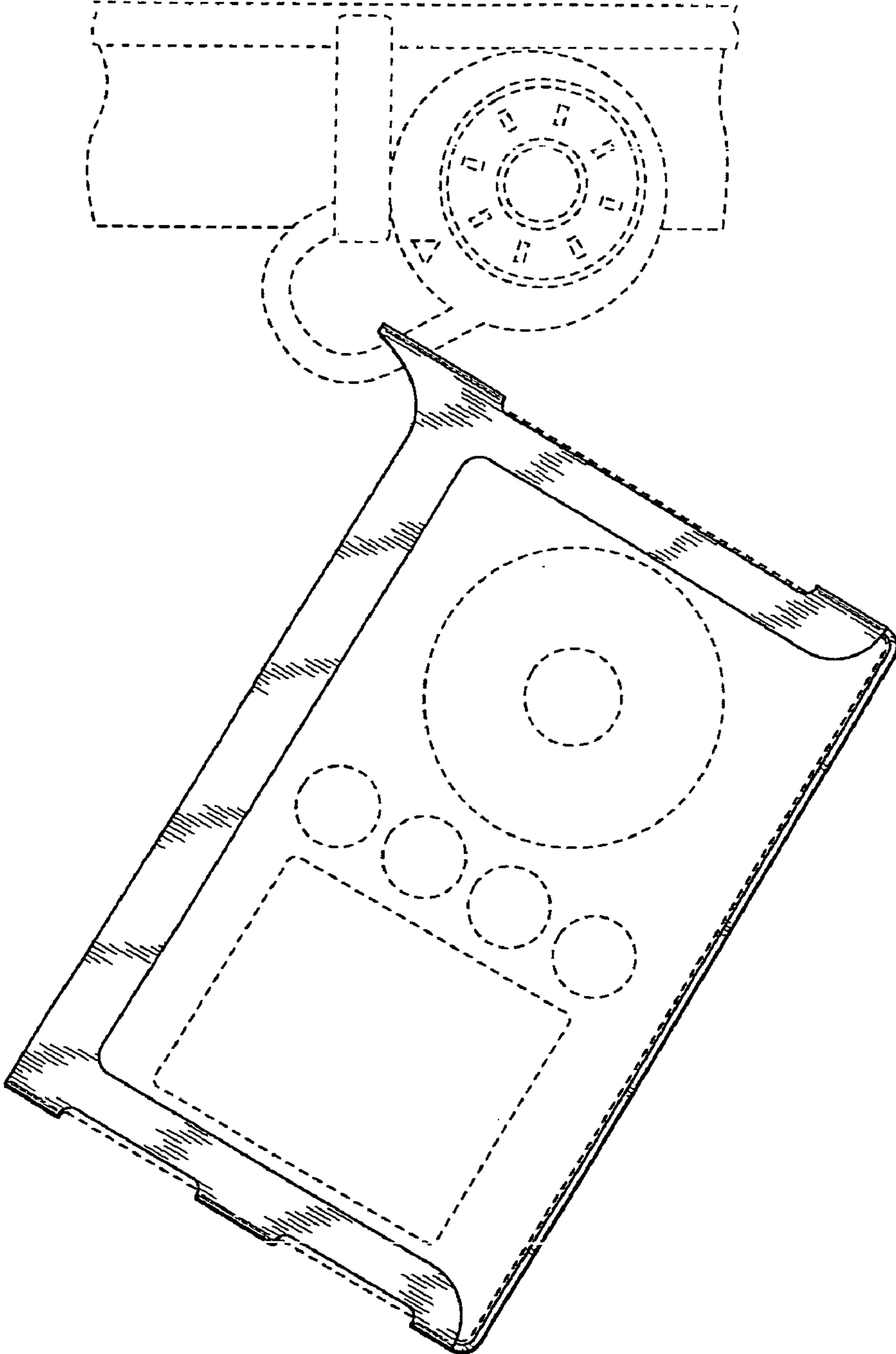


FIG. 8