



US00D565836S

(12) **United States Design Patent**
Wang

(10) **Patent No.:** **US D565,836 S**

(45) **Date of Patent:** **** Apr. 8, 2008**

(54) **CARRYING CASE**

D543,023 S * 5/2007 Han et al. D3/218
D558,392 S * 12/2007 Van Keppel et al. D3/247

(75) Inventor: **Bowman Wang**, Ben Lomond, CA
(US)

* cited by examiner

(73) Assignee: **Plantronics, Inc**, Santa Cruz, CA (US)

Primary Examiner—Catherine R. Oliver

(74) *Attorney, Agent, or Firm*—Michael Rodriguez

(**) Term: **14 Years**

(57) **CLAIM**

(21) Appl. No.: **29/291,308**

The ornamental design for a carrying case, as shown and described.

(22) Filed: **Aug. 22, 2007**

DESCRIPTION

(51) **LOC (8) Cl.** **03-01**

(52) **U.S. Cl.** **D3/201; D3/218**

(58) **Field of Classification Search** D3/201,
D3/215, 218, 219, 224, 226, 247, 248–253,
D3/263–266; 206/5, 5.1, 316.2, 904, 908,
206/3.12, 236, 260; D27/185

See application file for complete search history.

FIG. 1 is front-top-right perspective view of a carrying case showing our new design;

FIG. 2 is a front view thereof;

FIG. 3 is a rear view thereof;

FIG. 4 is a right side view thereof;

FIG. 5 is a left side view thereof;

FIG. 6 is a top view thereof; and,

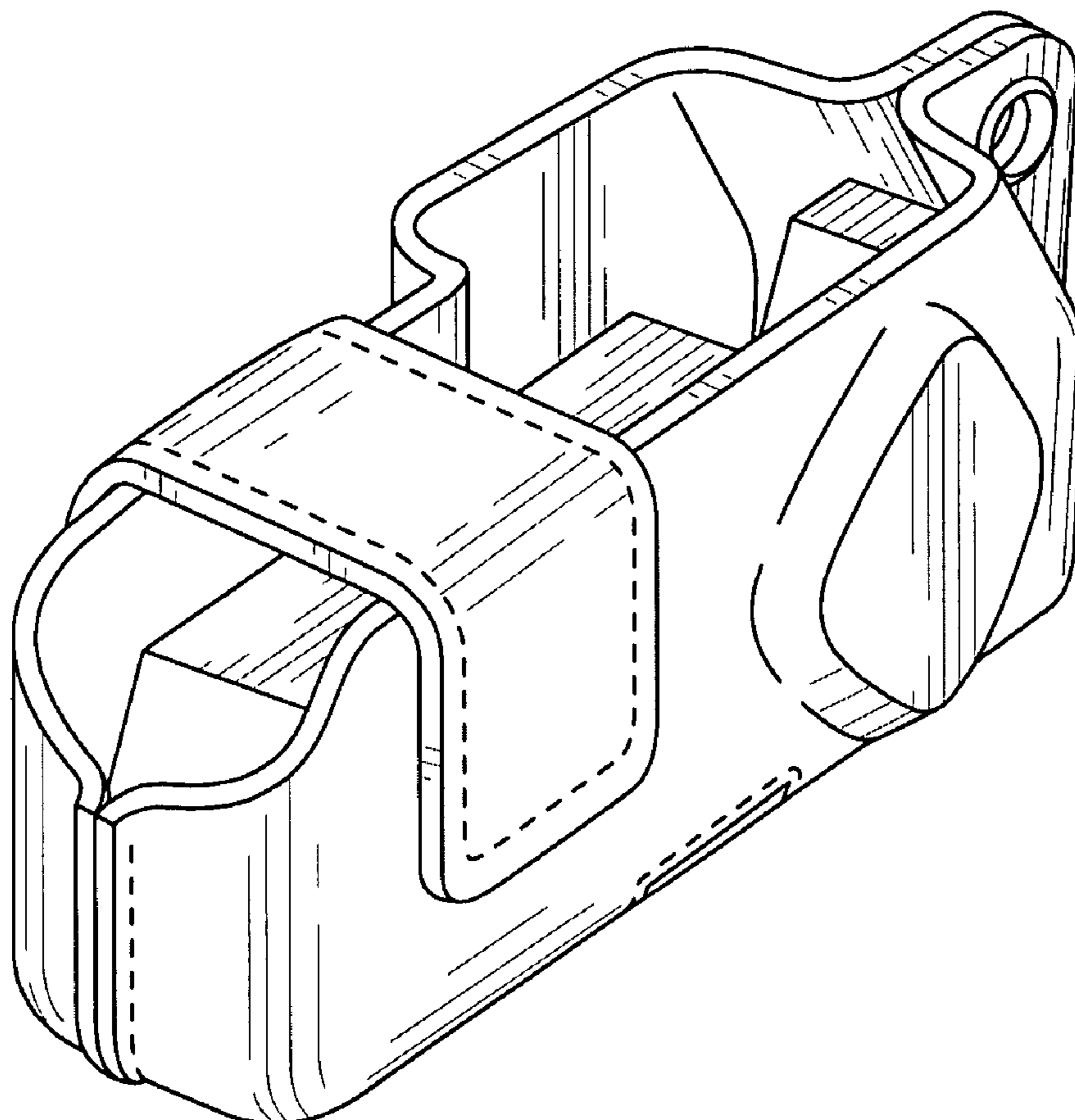
FIG. 7 is a bottom view thereof.

(56) **References Cited**

U.S. PATENT DOCUMENTS

D496,785 S * 10/2004 Hussaini et al. D3/218
D515,807 S * 2/2006 Faillace D3/218

1 Claim, 3 Drawing Sheets



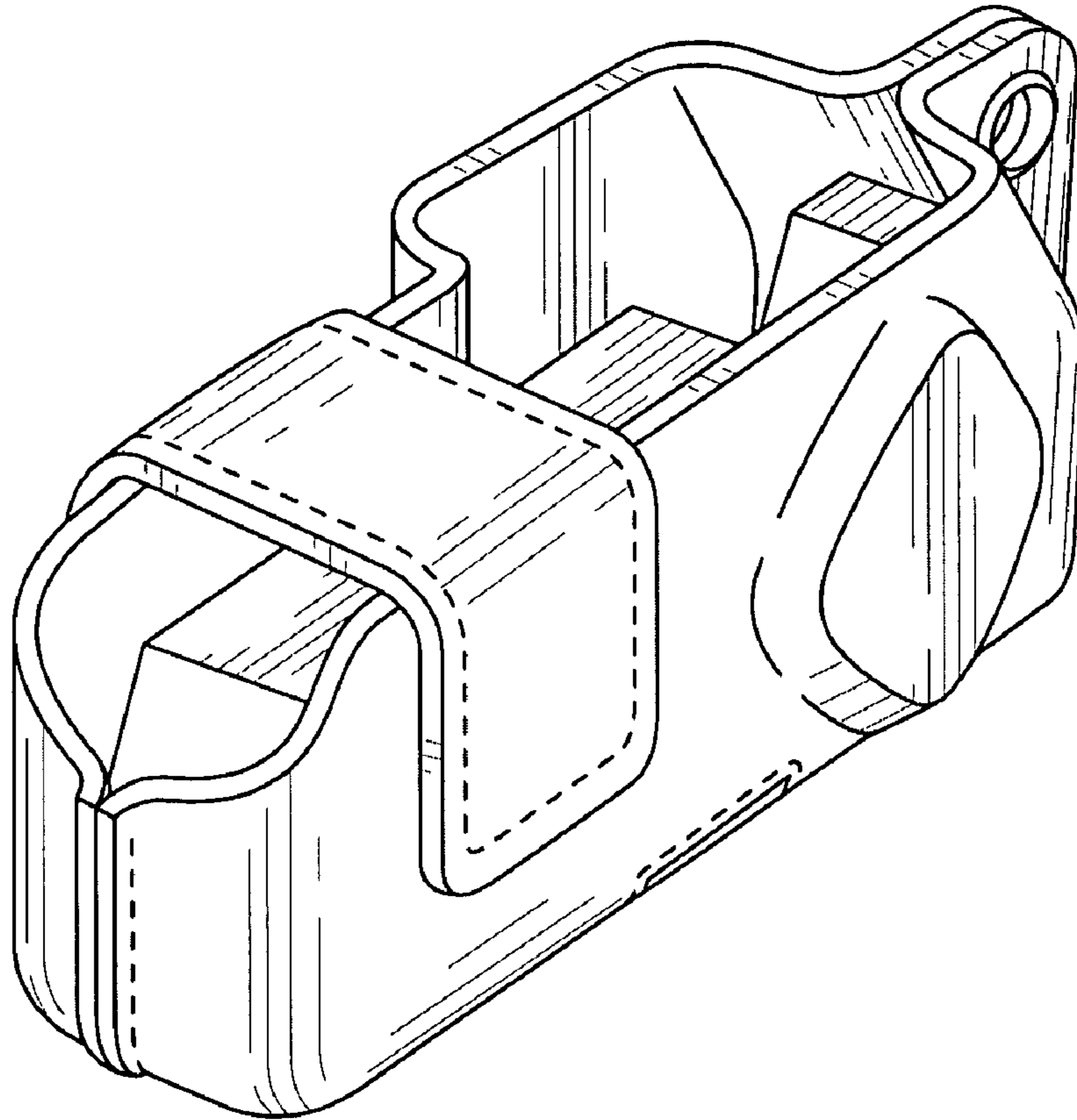


FIG. 1

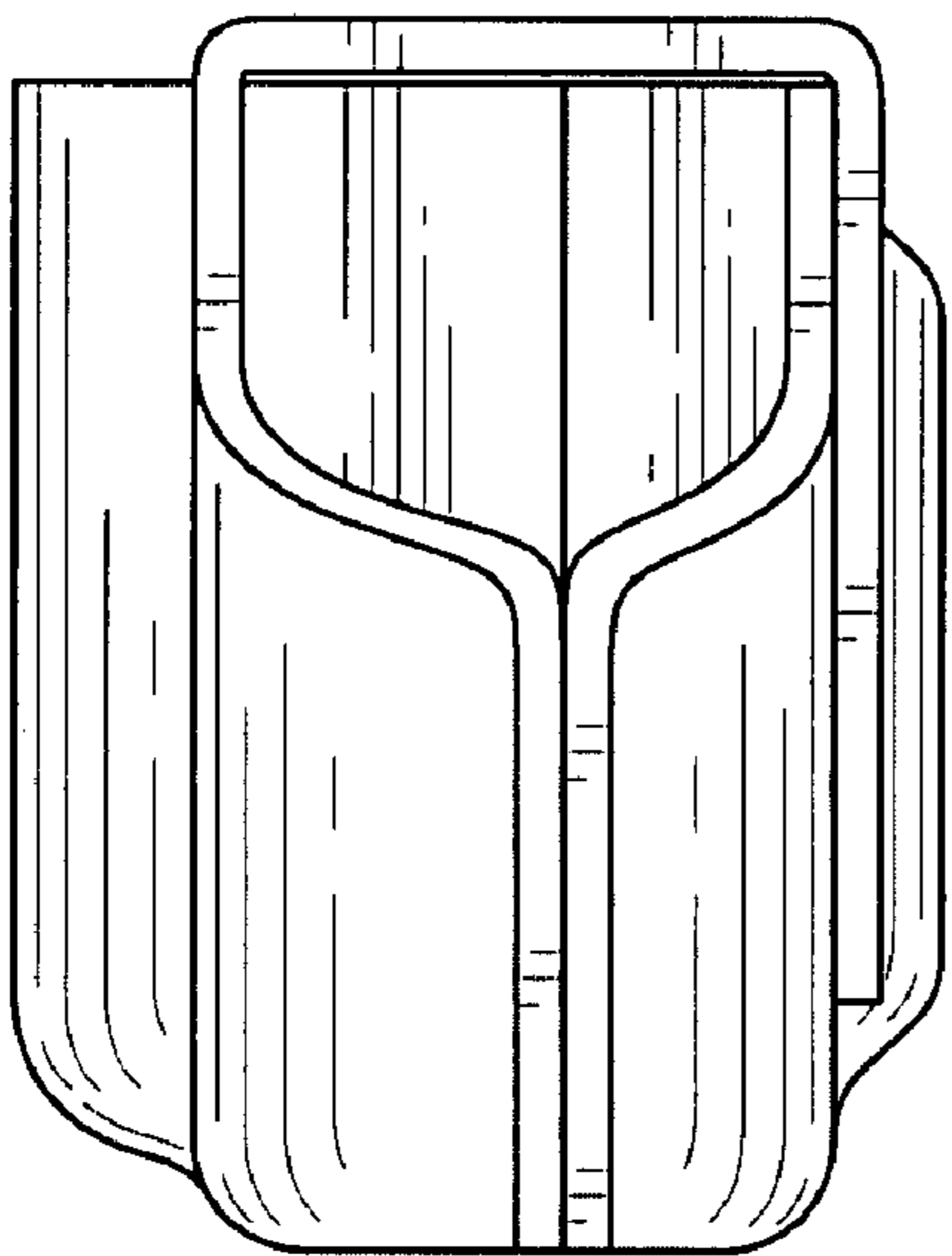


FIG. 2

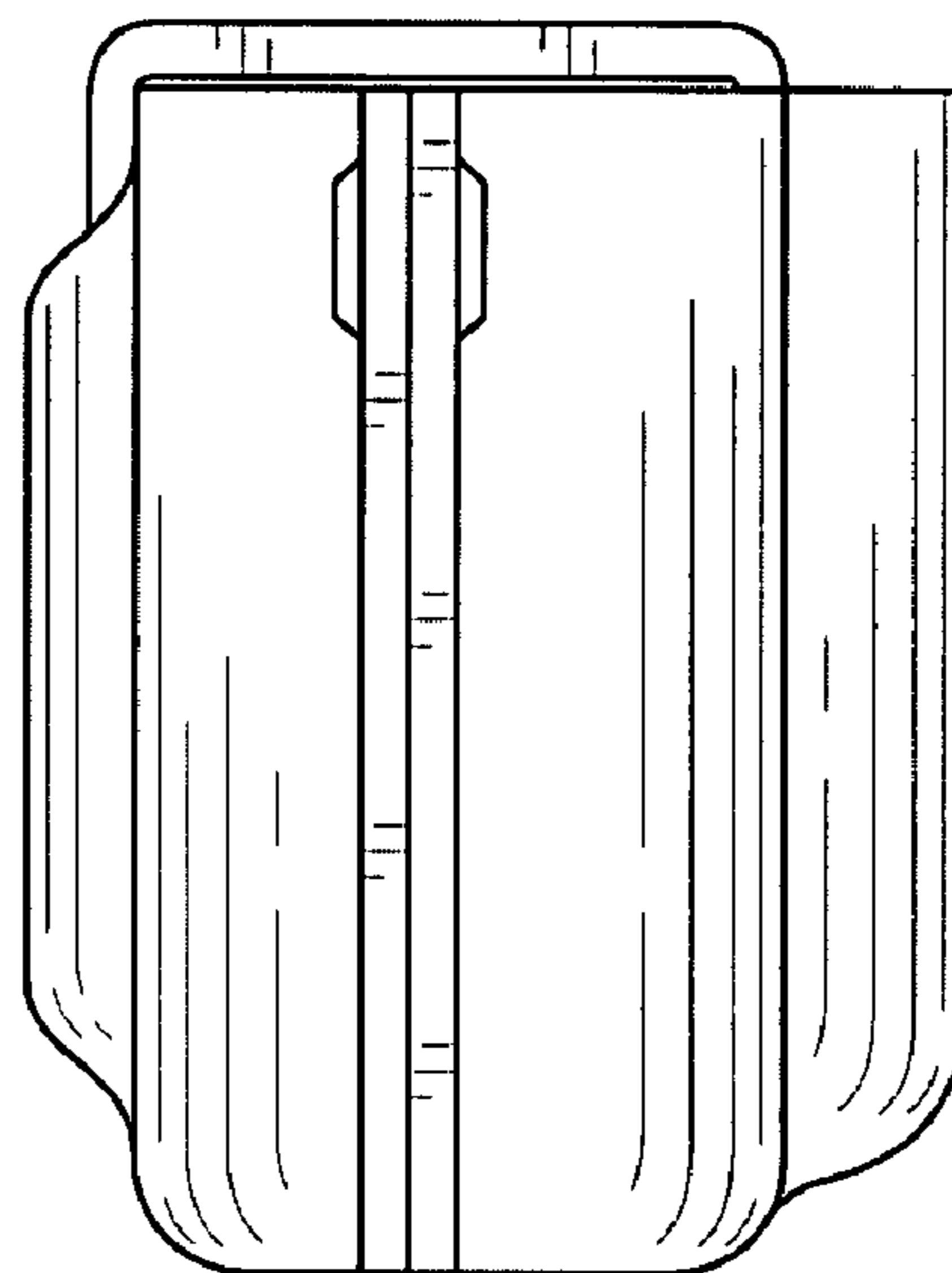


FIG. 3

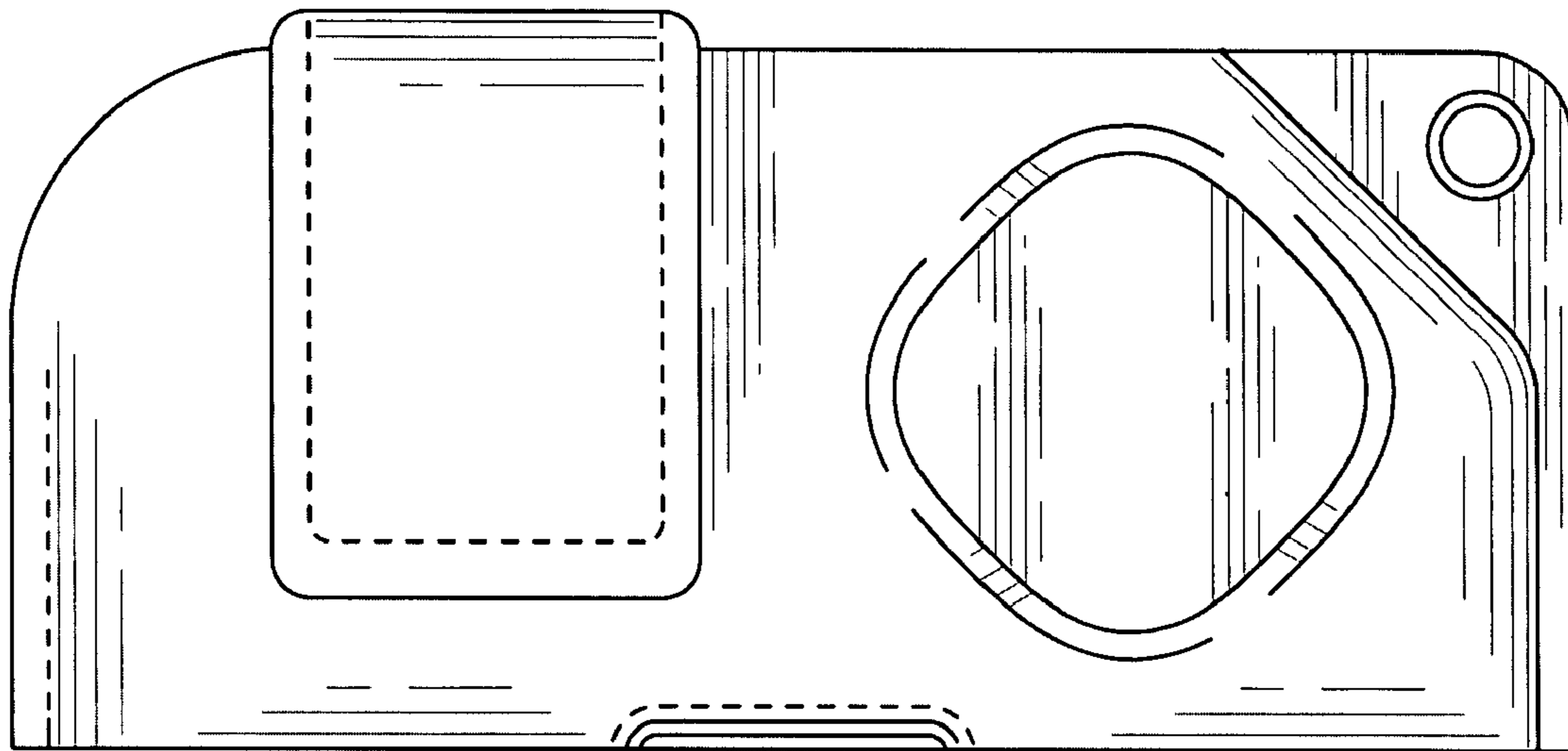


FIG. 4

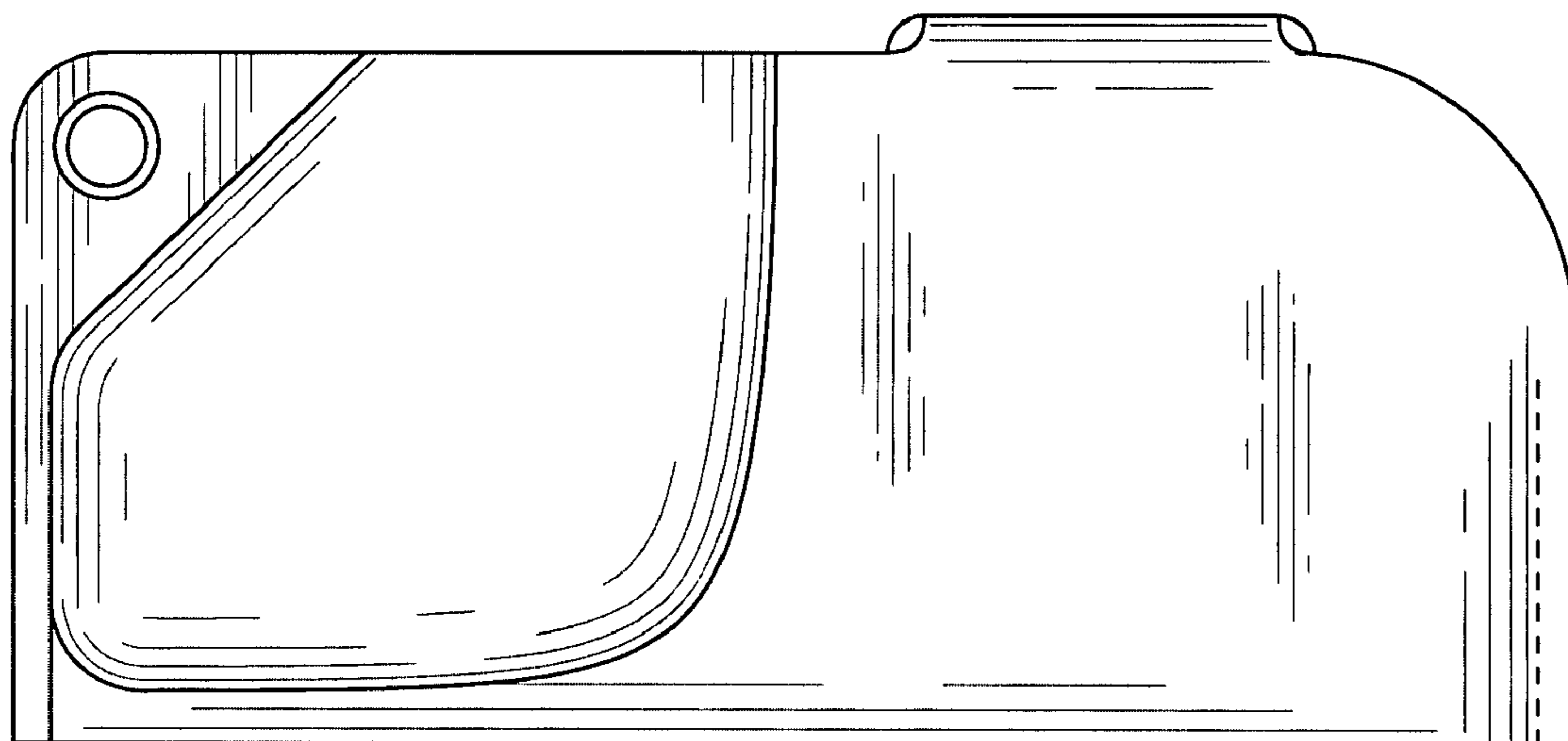


FIG. 5

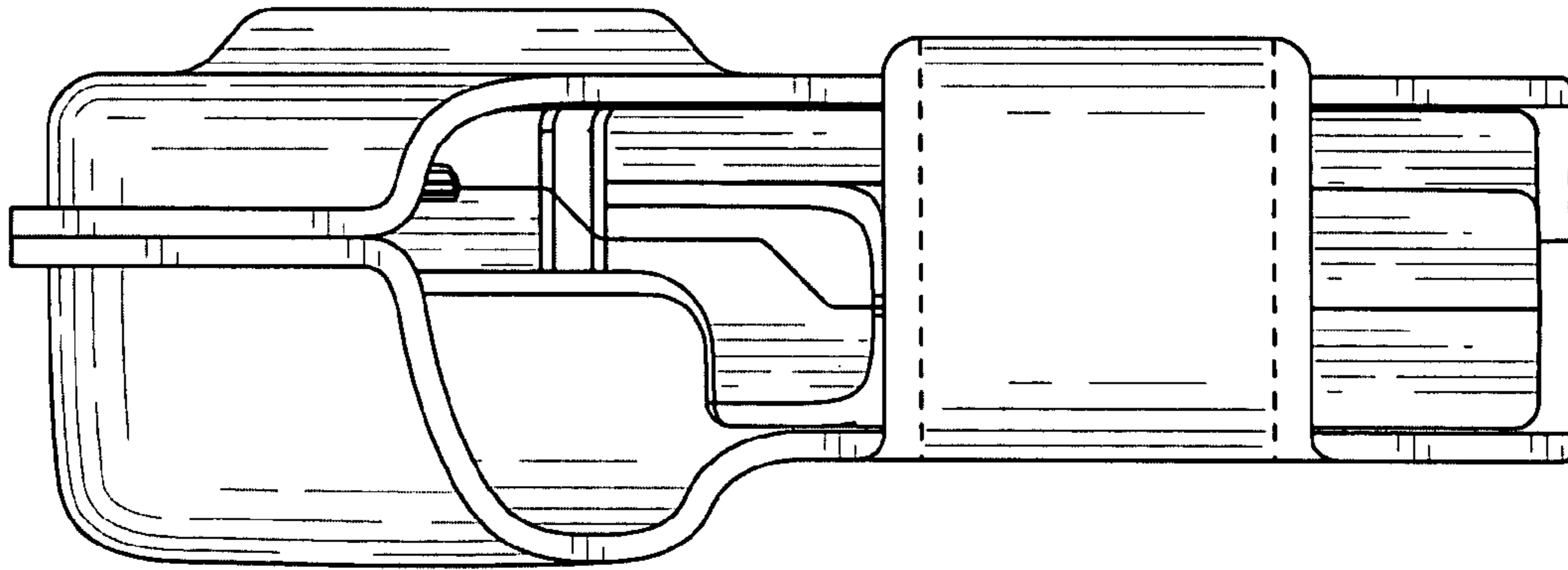


FIG. 6

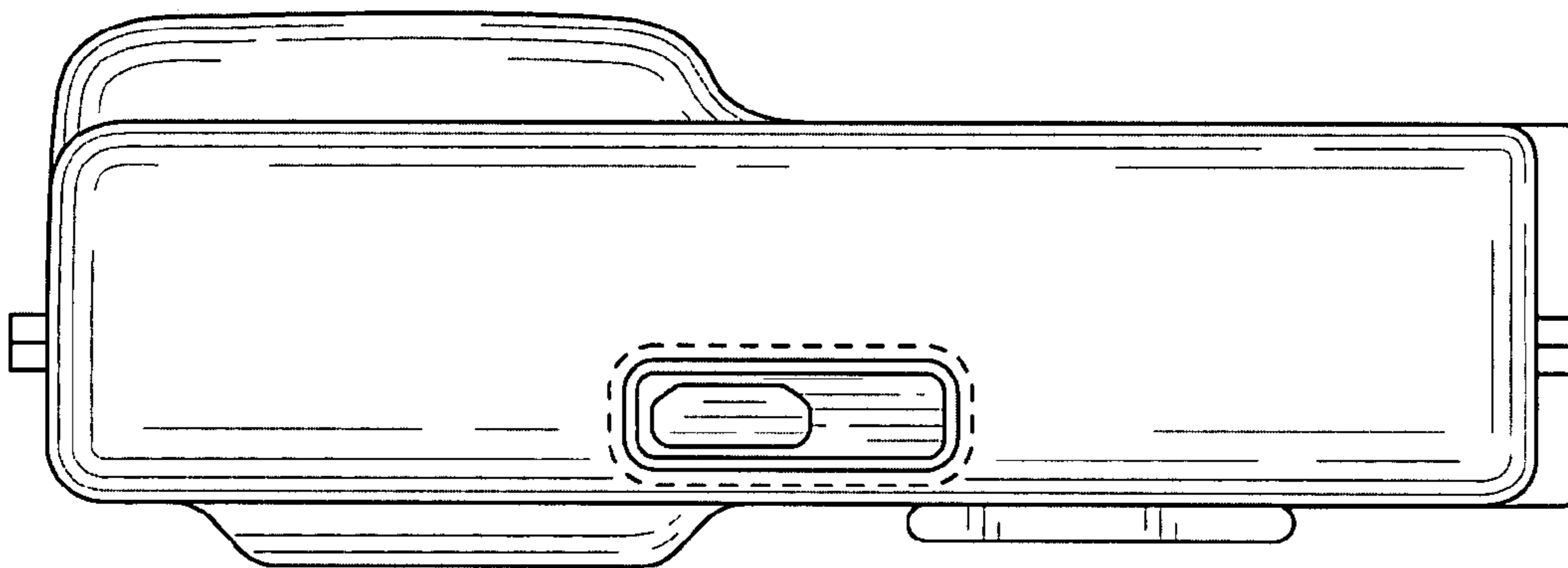


FIG. 7