



US00D565824S

(12) **United States Design Patent**  
**Mueller**

(10) **Patent No.:** **US D565,824 S**

(45) **Date of Patent:** **\*\* Apr. 1, 2008**

(54) **MOTORIZED TARGET PRACTICE APPARATUS**

(76) Inventor: **Guy T. Mueller**, EP 4438 Wescott Ave., Stratford, WI (US) 54484

(\*\*) Term: **14 Years**

(21) Appl. No.: **29/286,998**

(22) Filed: **May 29, 2007**

(51) **LOC (8) Cl.** ..... **12-02**

(52) **U.S. Cl.** ..... **D34/12; D22/113**

(58) **Field of Classification Search** ..... D34/12-27;  
273/403, 408; D22/113, 199; 280/652, 656,  
280/651, 79.3, 79.11, 35

See application file for complete search history.

(56) **References Cited**

**U.S. PATENT DOCUMENTS**

2,812,947	A *	11/1957	Fatzinger et al.	.....	273/404
3,770,914	A	11/1973	Larsen		
D263,691	S *	4/1982	Streiff	.....	D34/26
4,385,767	A	5/1983	Colbourne		
D327,968	S *	7/1992	Wright	.....	D34/24
D359,827	S *	6/1995	Biasini	.....	D34/17
5,431,409	A	7/1995	Webster		
5,467,999	A	11/1995	Valencic et al.		
5,498,001	A	3/1996	Franks et al.		
D395,105	S *	6/1998	Stallbaumer	.....	D34/12
D424,266	S *	5/2000	McIntyre	.....	D34/24
6,109,644	A *	8/2000	Cox	.....	280/652
6,257,584	B1	7/2001	Nasuti		

D449,415	S *	10/2001	Durieux	.....	D34/17
6,575,469	B2	6/2003	Love		
6,786,503	B1 *	9/2004	Young	.....	280/656
D530,876	S *	10/2006	Wyse	.....	D34/17
2003/0164602	A1 *	9/2003	Kuhlman	.....	280/79.7

\* cited by examiner

*Primary Examiner*—Cynthia E Ramirez

(74) *Attorney, Agent, or Firm*—Donald R. Schoonover

(57) **CLAIM**

I claim the ornamental design for a motorized target practice apparatus, as shown and described.

**DESCRIPTION**

FIG. 1 is a perspective view of a motorized target practice apparatus showing my new design;

FIG. 2 is a right side elevational view thereof;

FIG. 3 is a left side elevational view thereof;

FIG. 4 is a top plan view thereof;

FIG. 5 is a bottom plan view thereof;

FIG. 6 is a rear elevational view thereof;

FIG. 7 is a front elevational view thereof; and,

FIG. 8 is a reduced side elevational view showing the motorized target practice apparatus in use; the broken lines depict environmental structure for illustrative purposes only and form no part of the claimed design.

**1 Claim, 3 Drawing Sheets**

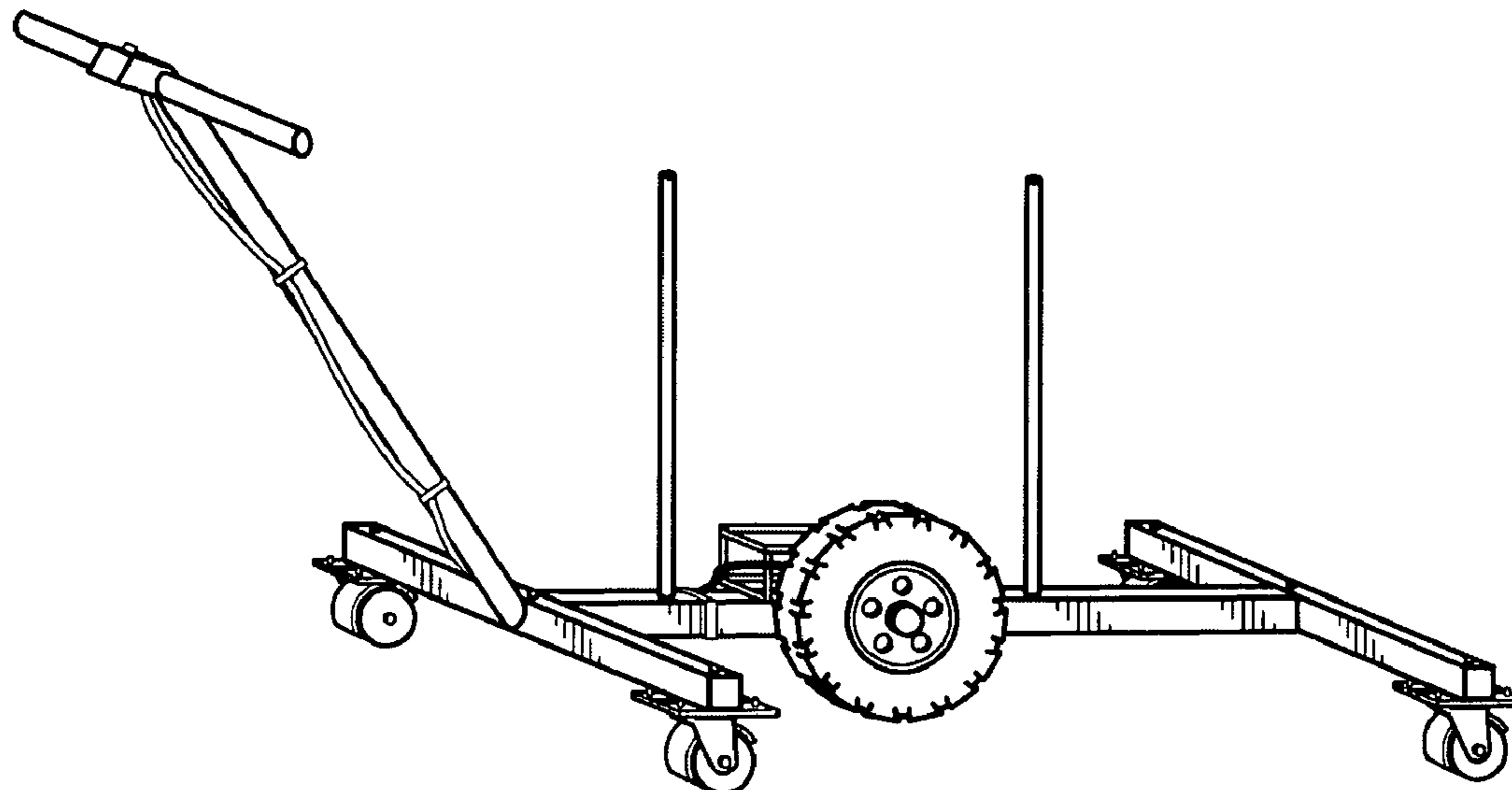


Fig. 1

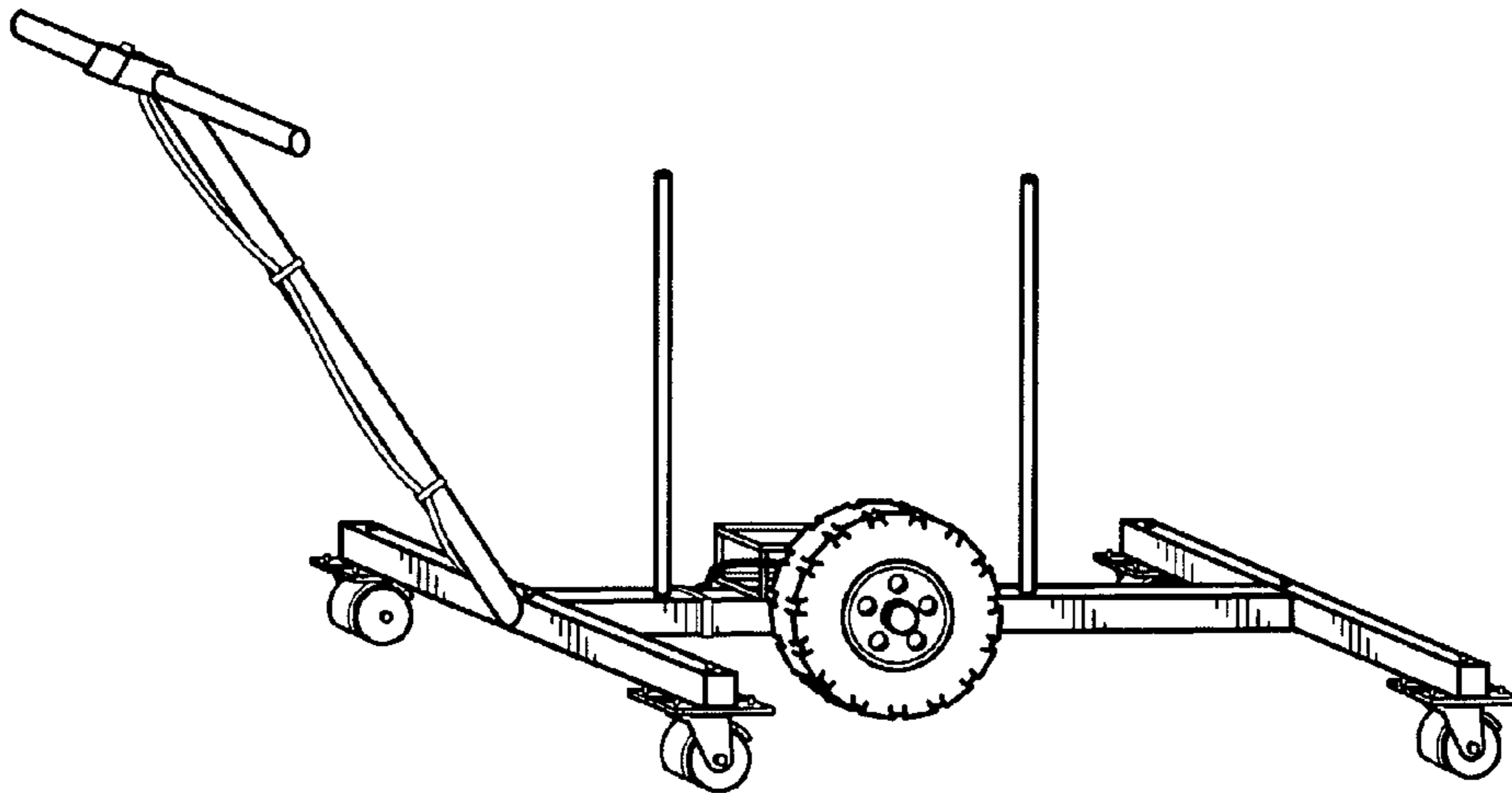
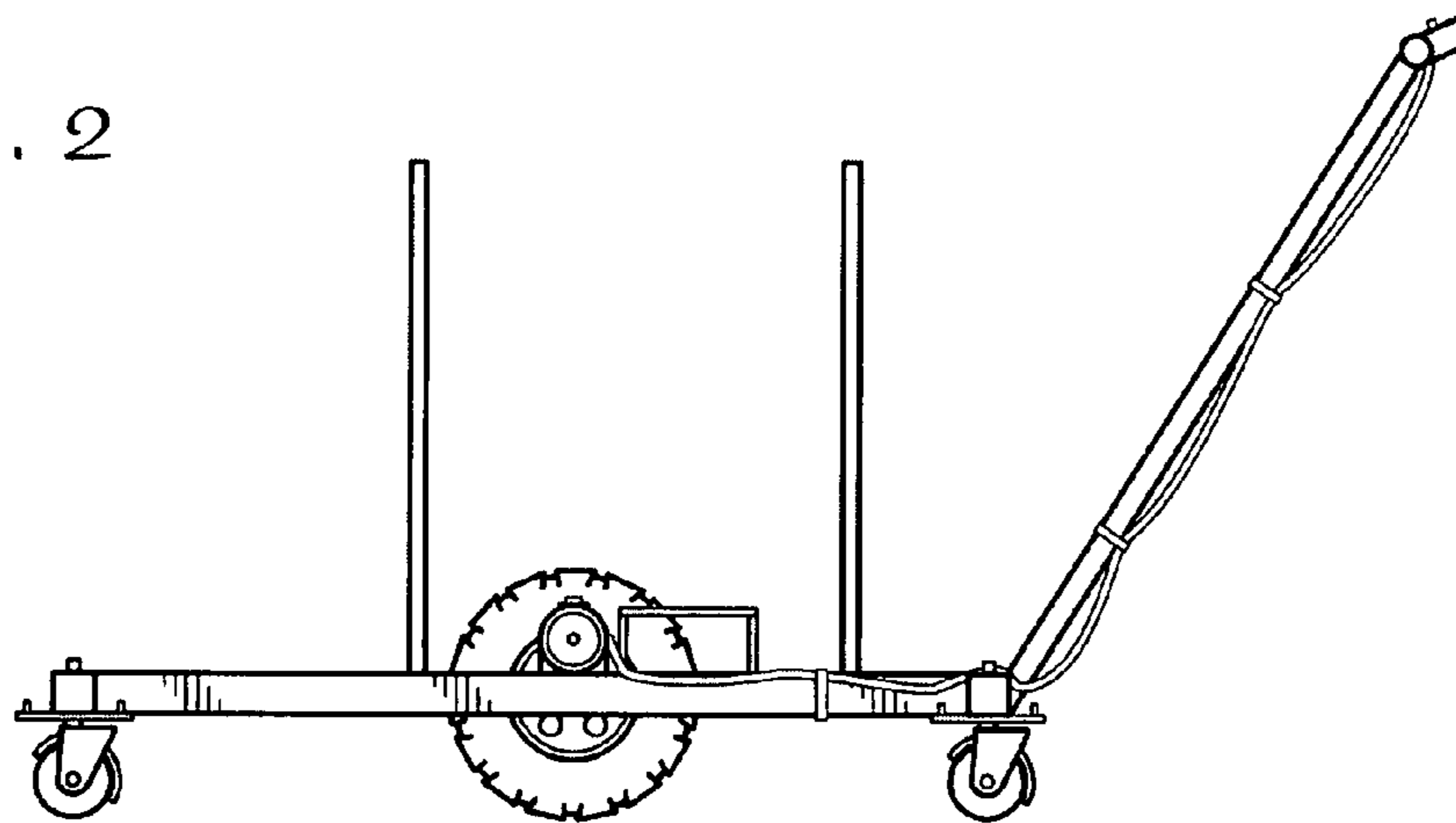


Fig. 2



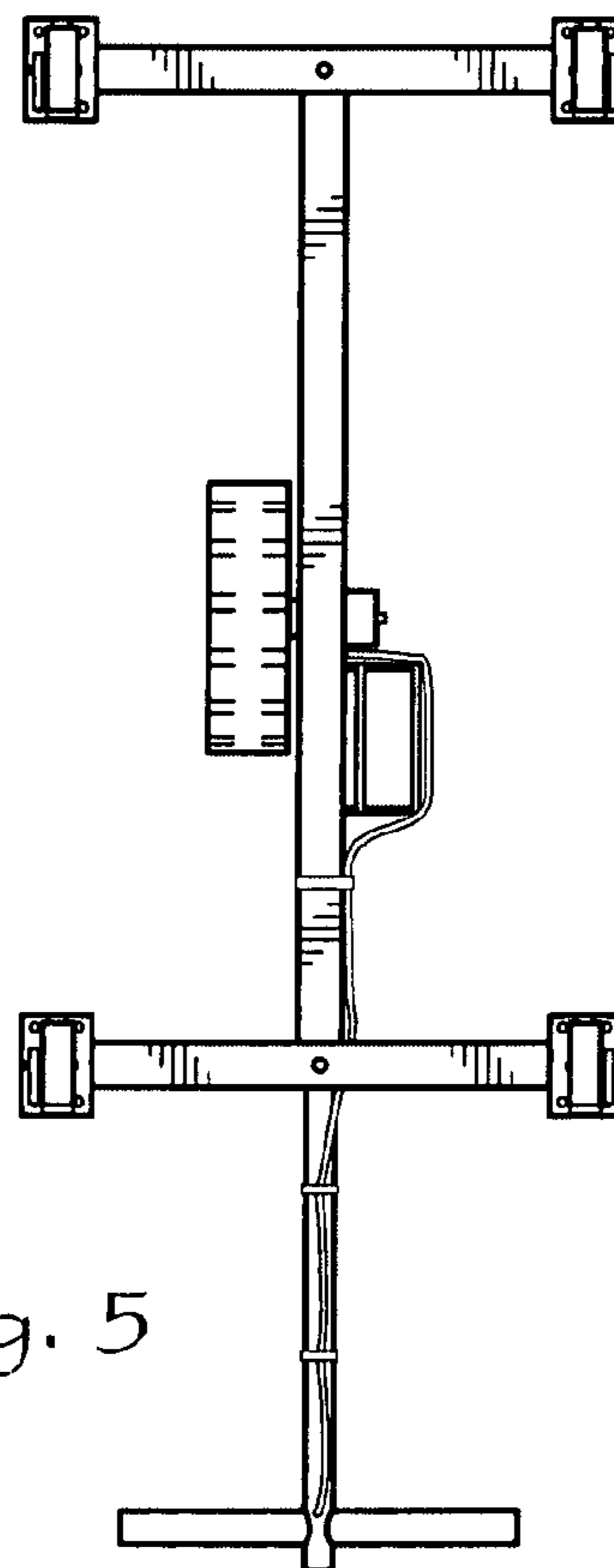
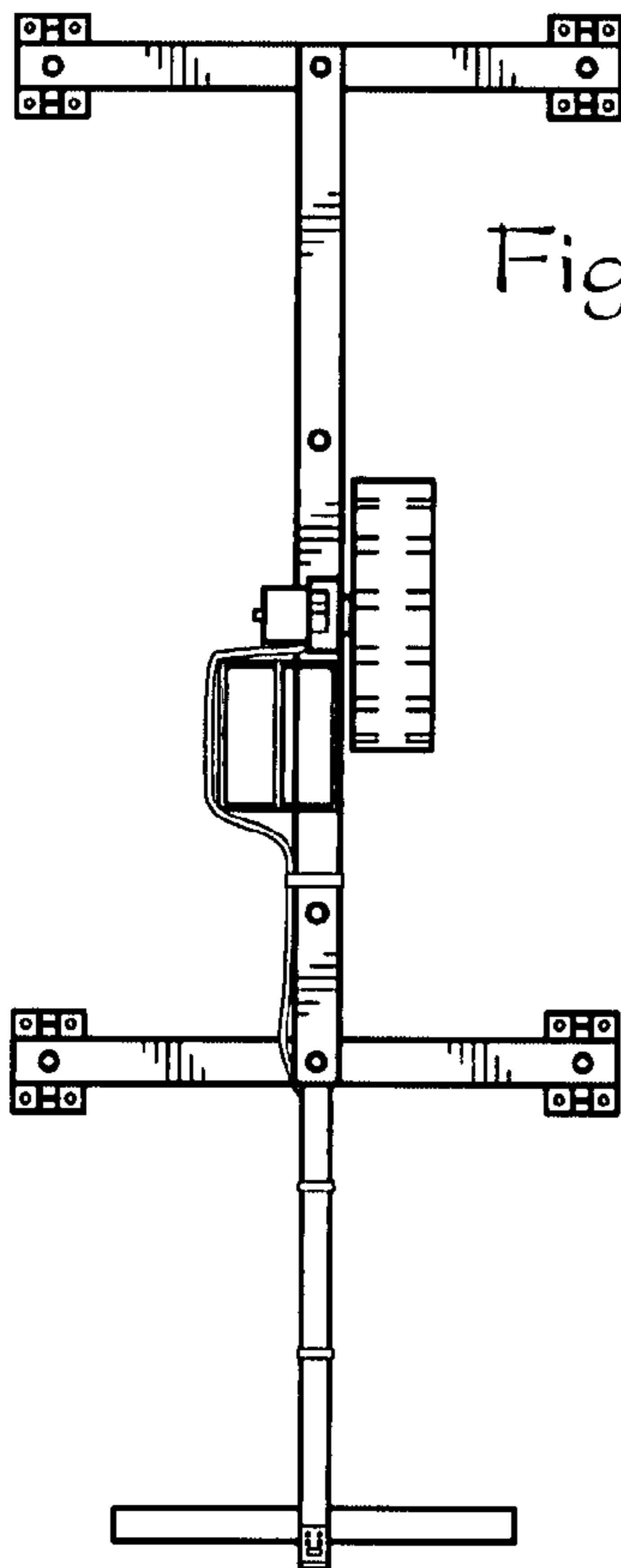
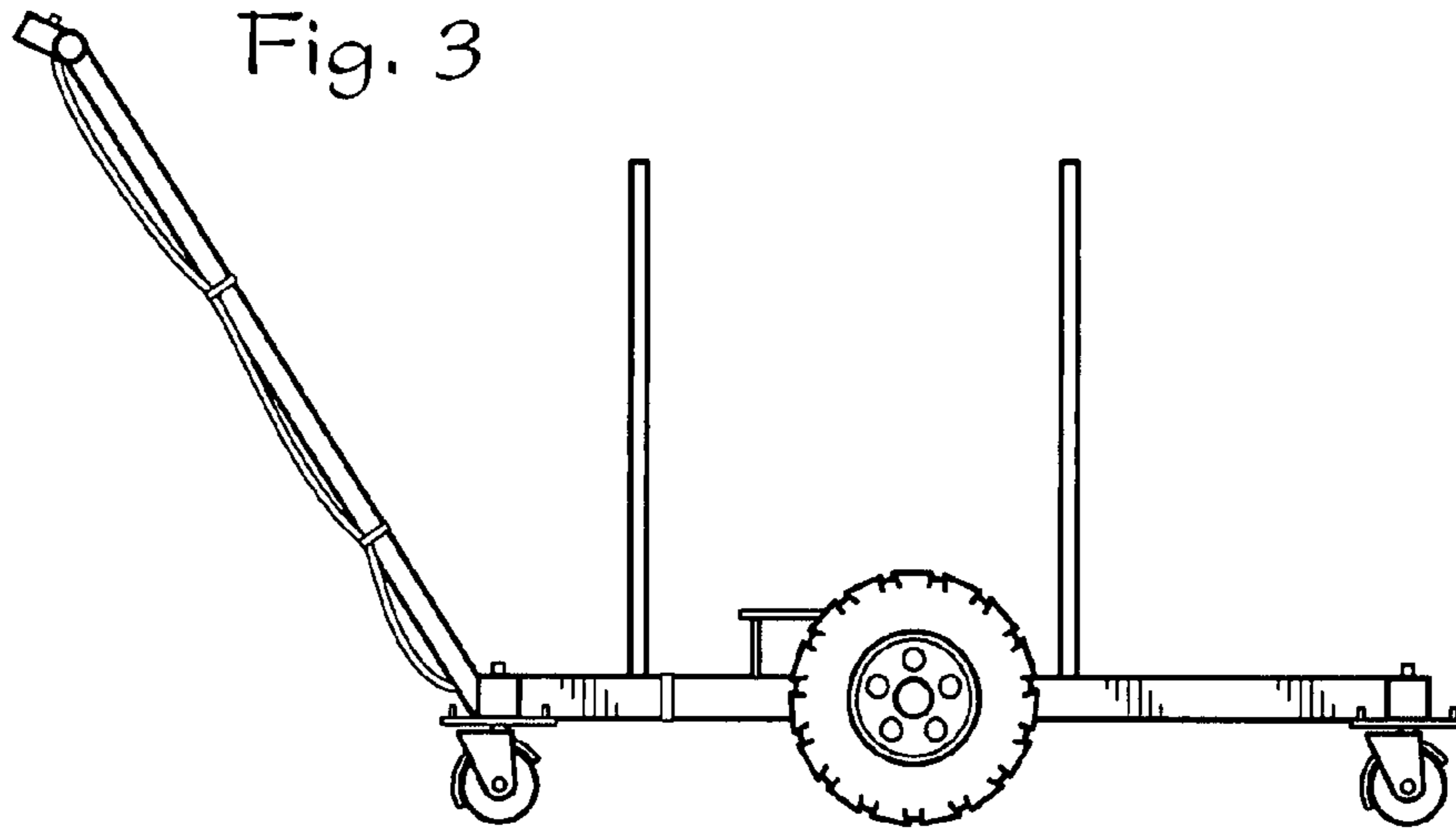


Fig. 6

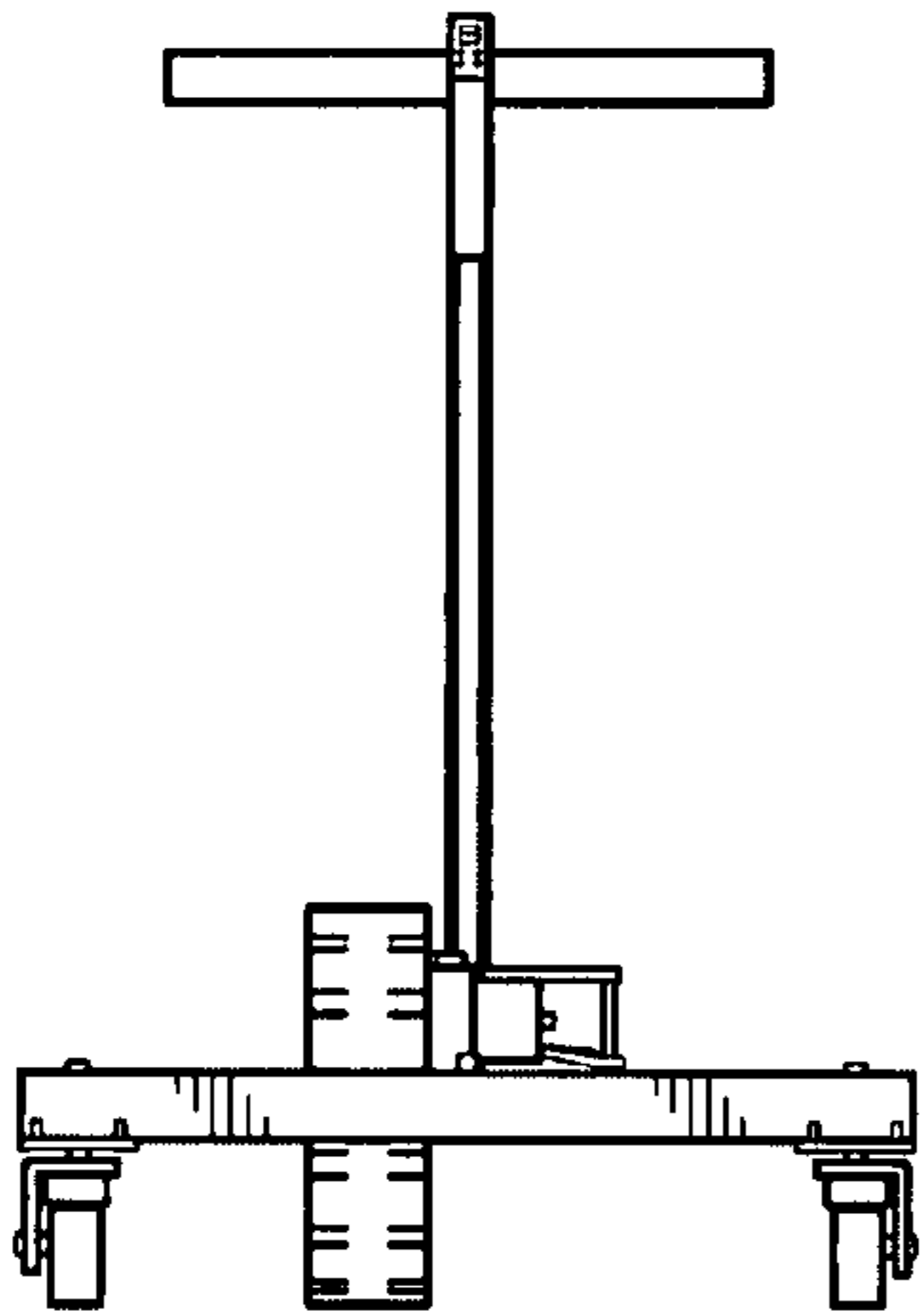


Fig. 7

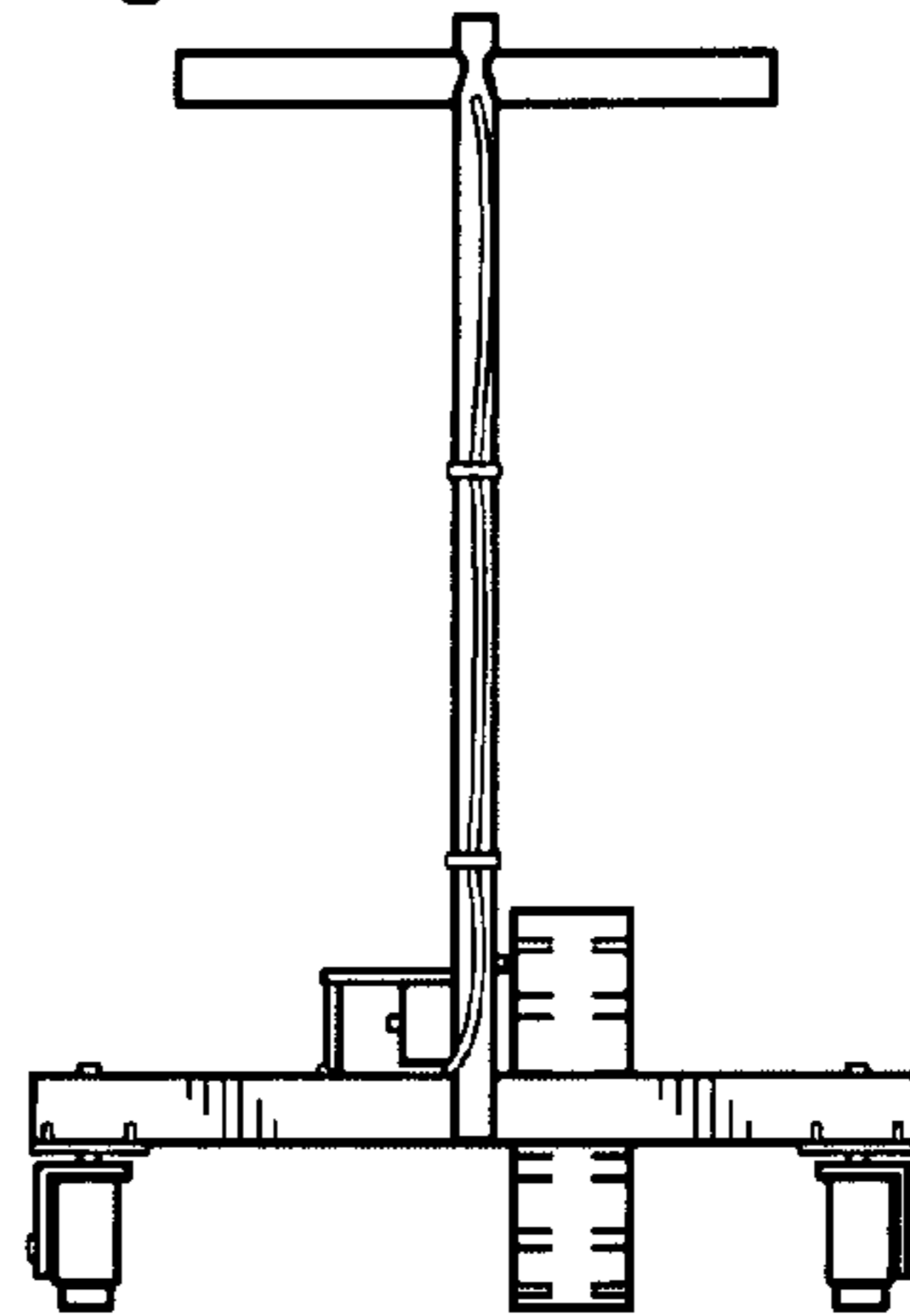


Fig. 8

