



US00D565819S

(12) **United States Design Patent**
Renner

(10) **Patent No.:** **US D565,819 S**

(45) **Date of Patent:** **** Apr. 1, 2008**

(54) **PIPE SECTION FOR SUCTION PIPE OF A VACUUM CLEANER**

(75) Inventor: **Reinhard Renner**, Esslingen (DE)

(73) Assignee: **Alfred Kaercher GmbH & Co. KG**, Winnenden (DE)

(**) Term: **14 Years**

(21) Appl. No.: **29/264,970**

(22) Filed: **Aug. 21, 2006**

(30) **Foreign Application Priority Data**

Mar. 3, 2006 (EM) 000490354

(51) **LOC (8) Cl.** **15-05**

(52) **U.S. Cl.** **D32/34**

(58) **Field of Classification Search** 15/320-323, 15/350-351, 361, 410-411, 340.4, 90, 246.2, 15/DIG. 10; D32/21-23, 31-34, 38-39; D8/107; 174/46; 285/7; 439/191; 55/DIG. 3
See application file for complete search history.

(56) **References Cited**

U.S. PATENT DOCUMENTS

D237,036	S	*	10/1975	Neceda	D32/31
4,915,640	A	*	4/1990	Hayden	439/191
D333,023	S	*	2/1993	Herron, Jr.	D32/34
D334,447	S	*	3/1993	Rohn	D32/34
5,551,731	A	*	9/1996	Gray et al.	285/7
5,625,920	A	*	5/1997	Bores et al.	15/322
D406,422	S	*	3/1999	Burchard et al.	D32/34
D431,335	S	*	9/2000	Mehaffey et al.	D32/34

6,286,182	B1	*	9/2001	Mulder et al.	15/323
D488,271	S	*	4/2004	Schroter	D32/31
D494,332	S	*	8/2004	Schroter	D32/34
D494,333	S	*	8/2004	Schroter	D32/34
D522,199	S	*	5/2006	Cunningham et al.	D32/34
D543,325	S	*	5/2007	Burnham	D32/34
2004/0134017	A1	*	7/2004	Kess	15/323

FOREIGN PATENT DOCUMENTS

EP 0 733 336 9/1996

* cited by examiner

Primary Examiner—Sandra Snapp

(74) *Attorney, Agent, or Firm*—Lipsitz & McAllister, LLC

(57) **CLAIM**

The ornamental design for a pipe section for suction pipe of a vacuum cleaner, as shown and described.

DESCRIPTION

FIG. 1 is a right side elevational view of the pipe section for suction pipe of a vacuum cleaner showing my new design; FIG. 2 is a right side, top and rear perspective view of the design;

FIG. 3 is a front elevational view of the design;

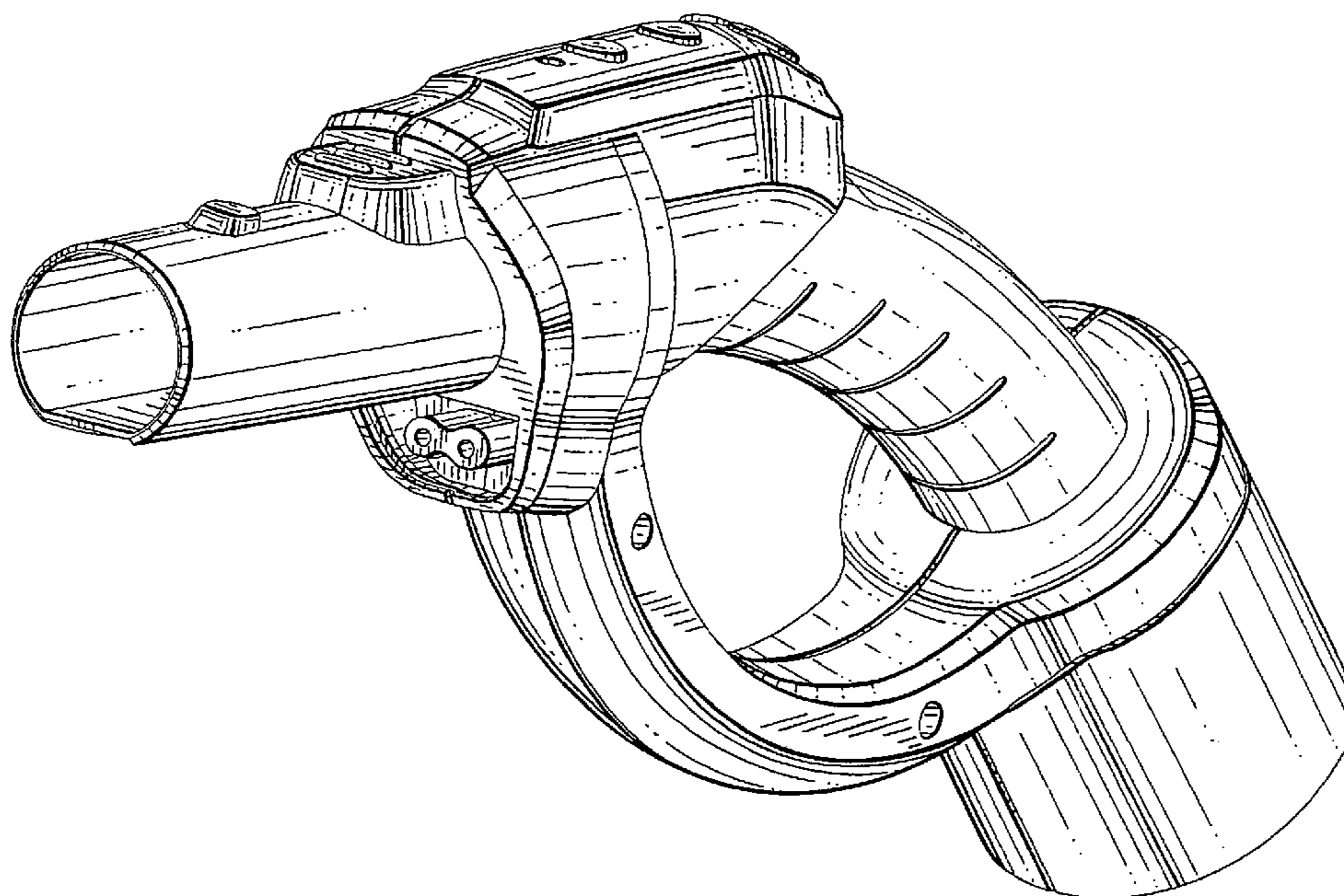
FIG. 4 is a front, top and right side perspective view of the design;

FIG. 5 is a rear elevational view of the design;

FIG. 6 is a left side elevational view of the design; and,

FIG. 7 is a top plan view of the design.

1 Claim, 6 Drawing Sheets



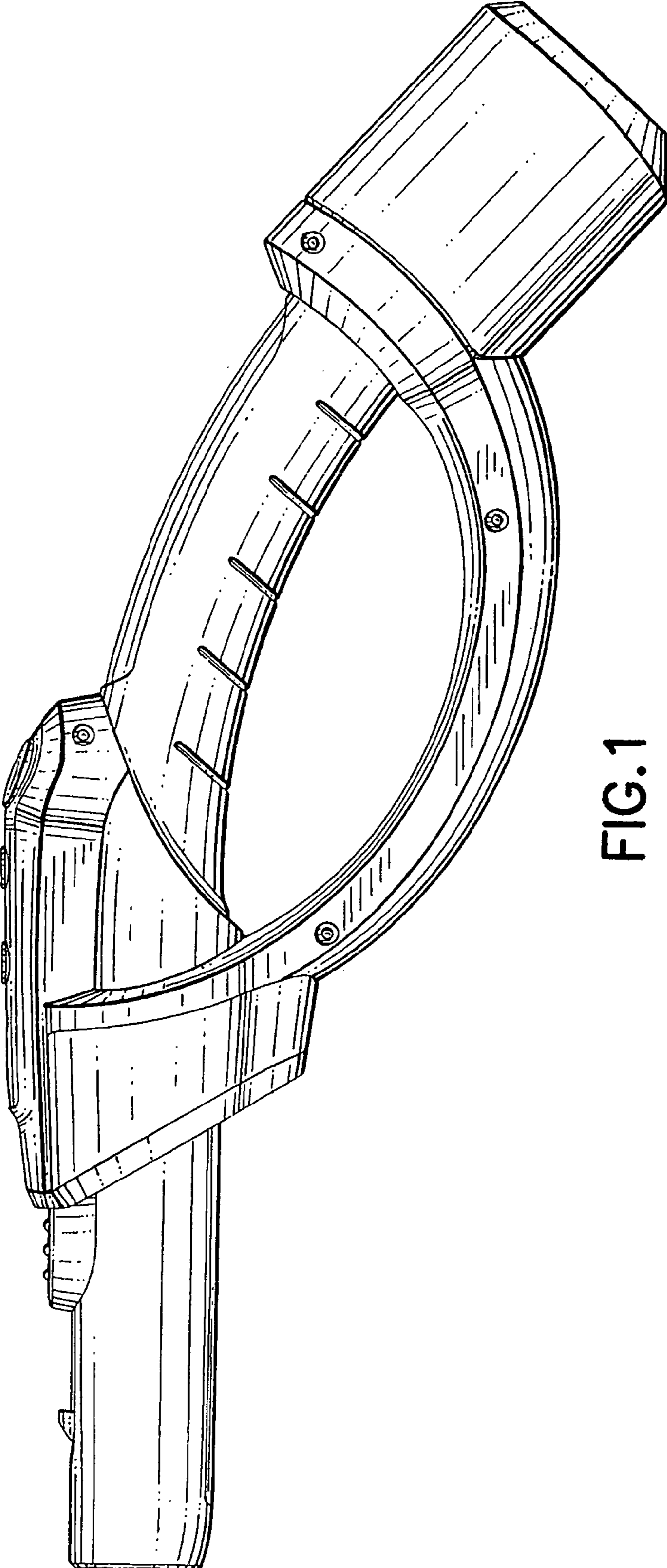


FIG.1

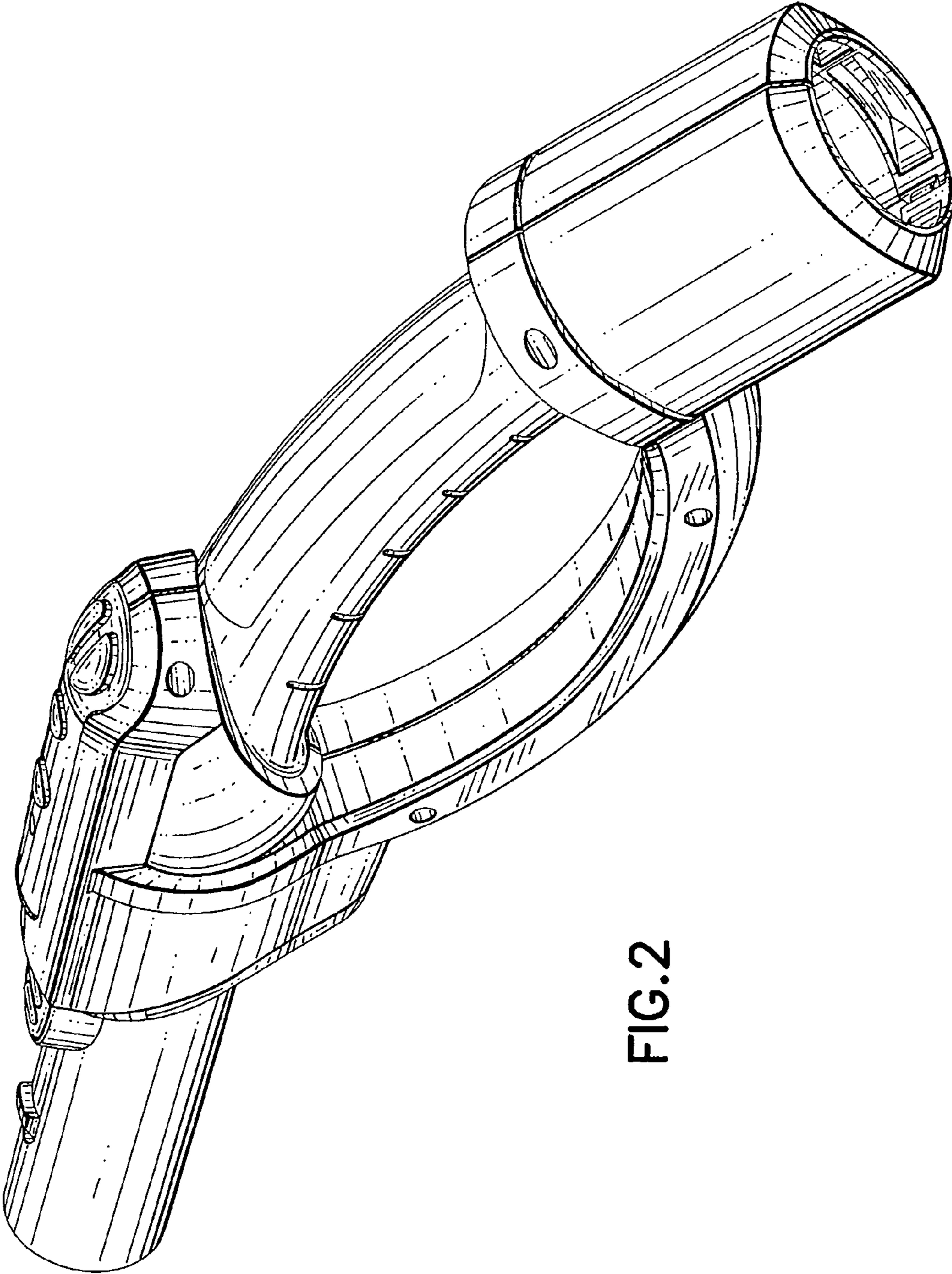


FIG.2

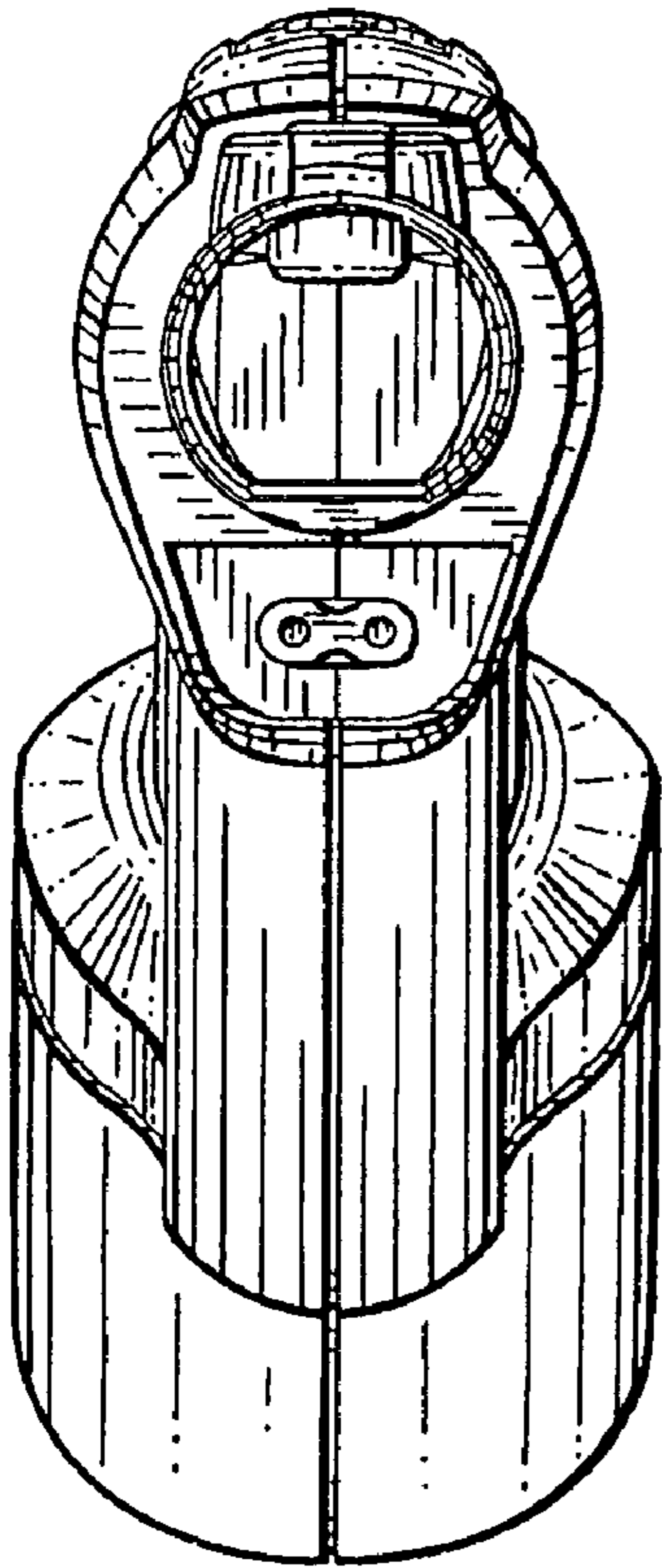


FIG.3

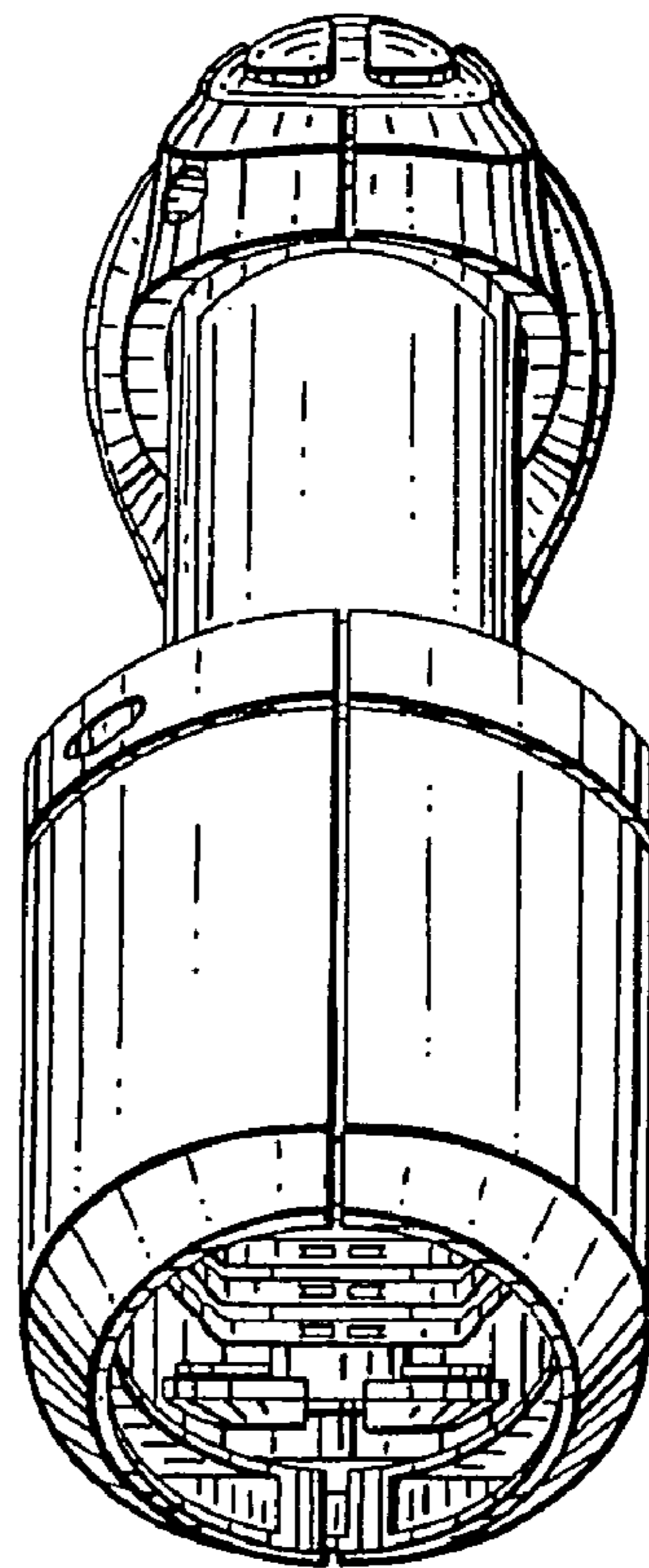


FIG.5

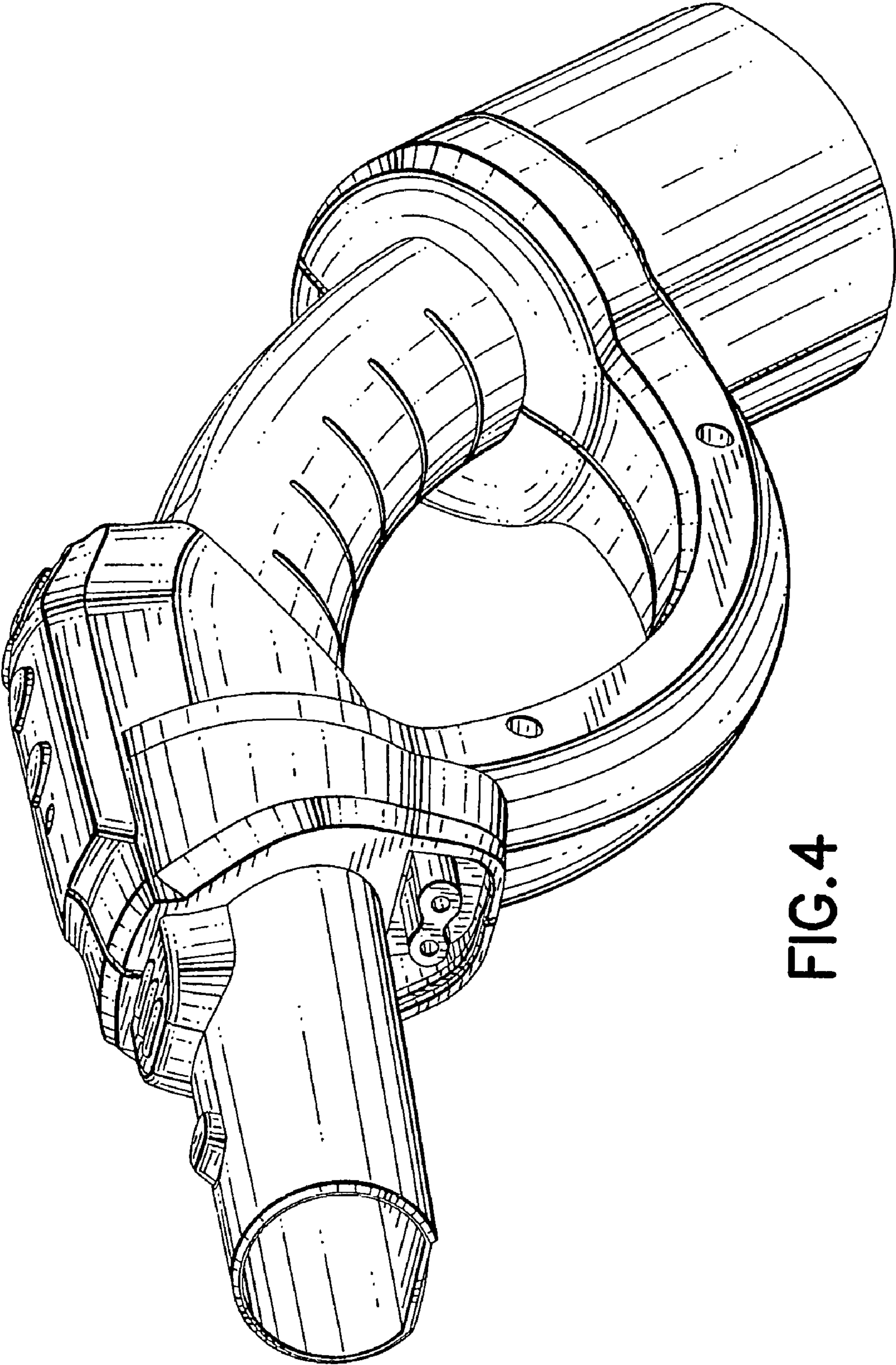


FIG. 4

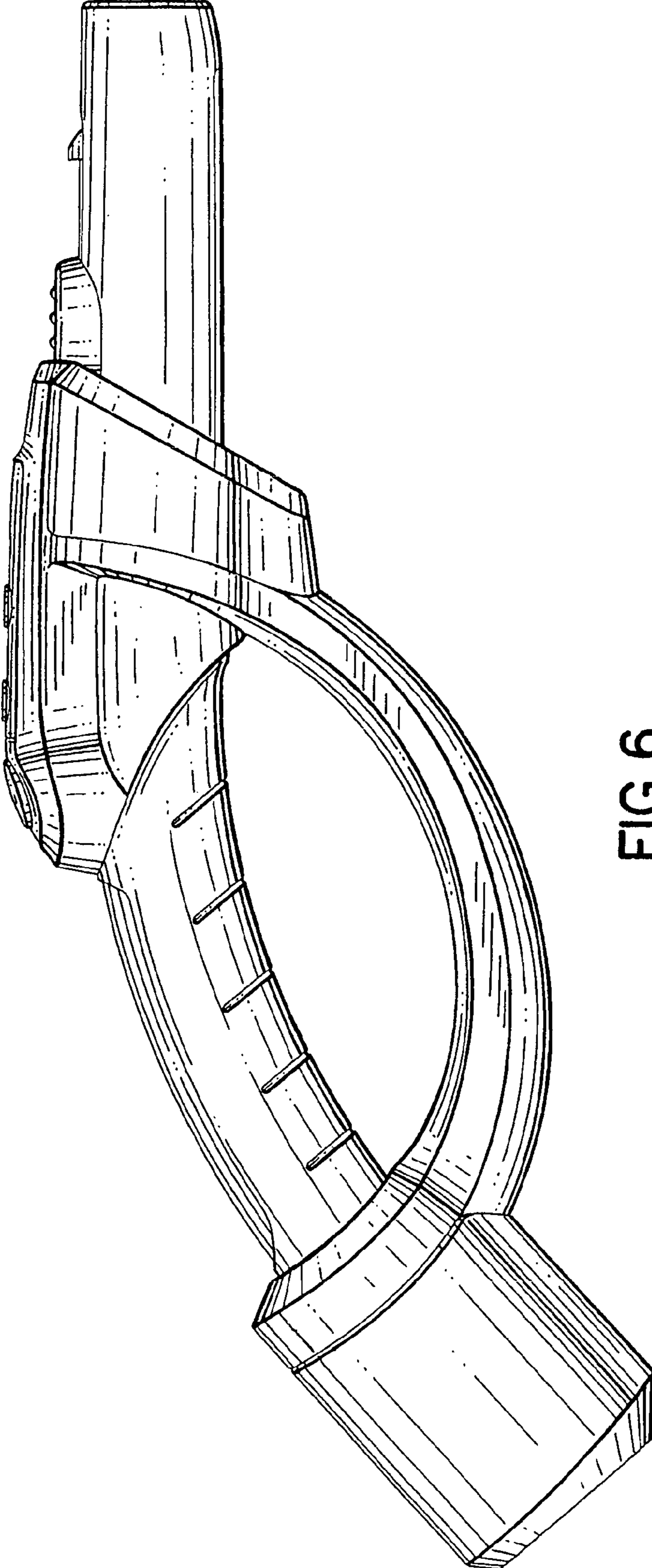


FIG.6

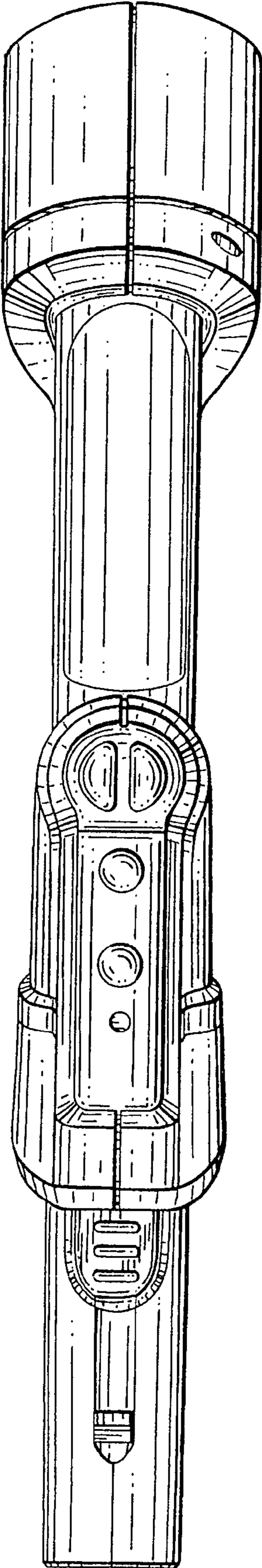


FIG. 7