



US00D565817S

(12) **United States Design Patent**
Yuasa

(10) **Patent No.:** **US D565,817 S**

(45) **Date of Patent:** **** Apr. 1, 2008**

(54) **COVER FOR A PORTABLE AIR BLOWER**

(75) Inventor: **Tsuneyoshi Yuasa**, Kobe (JP)

(73) Assignee: **Kawasaki Jukogyo Kabushiki Kaisha**,
Hyogo (JP)

(**) Term: **14 Years**

(21) Appl. No.: **29/279,165**

(22) Filed: **Apr. 20, 2007**

(51) **LOC (8) Cl.** **15-05**

(52) **U.S. Cl.** **D32/25; D32/15**

(58) **Field of Classification Search** D23/364,
D23/355, 356, 359, 360, 362, 352, 366, 369,
D23/332, 333, 335, 336, 342; D32/25, 1,
D32/15, 17; D15/1, 5, 3, 13, 14, 17; 15/405,
15/342, 330; 422/120, 122; 55/356, 473,
55/504; 210/497.1; 96/97; 34/96, 97; D28/13
See application file for complete search history.

(56) **References Cited**

U.S. PATENT DOCUMENTS

4,694,528	A *	9/1987	Comer et al.	15/330
D293,796	S *	1/1988	Nagy	D15/5
D294,945	S *	3/1988	Segal	D15/5
D295,444	S *	4/1988	Sundqvist	D23/356
D344,615	S *	2/1994	Berfield et al.	D32/15
D354,378	S *	1/1995	McKnight et al.	D32/15
D359,603	S *	6/1995	Rakocy et al.	D32/15
D361,177	S *	8/1995	Hoover	D32/15
D363,149	S *	10/1995	Franke et al.	D32/15
D408,950	S *	4/1999	Basham	D32/15

D468,874	S *	1/2003	Nawrozki et al.	D32/15
D481,497	S *	10/2003	Malmqvist et al.	D32/15
D534,696	S *	1/2007	Choi	D32/1
D538,984	S *	3/2007	King	D32/15
D544,594	S *	6/2007	Zobebe	D23/366
D544,952	S *	6/2007	Zobebe	D23/366
2006/0059654	A1 *	3/2006	Kremsler et al.	15/405
2006/0130273	A1 *	6/2006	Norinder et al.	15/405

* cited by examiner

Primary Examiner—Ian Simmons

Assistant Examiner—David G Muller

(57) **CLAIM**

The ornamental design for a cover for a portable air blower, as shown and described.

DESCRIPTION

FIG. 1 is a front elevational view of a cover for a portable air blower showing my new design;

FIG. 2 is a rear elevational view thereof;

FIG. 3 is a left side elevational view thereof, the right side being a mirror image;

FIG. 4 is a top plan view thereof;

FIG. 5 is a bottom plan view thereof; and,

FIG. 6 is a reference view of the cover for a portable air blower, shown in position of use.

A broken line showing of parts of the drawings is included for the purpose of illustrating use and environment and forms no part of the claimed design.

1 Claim, 5 Drawing Sheets

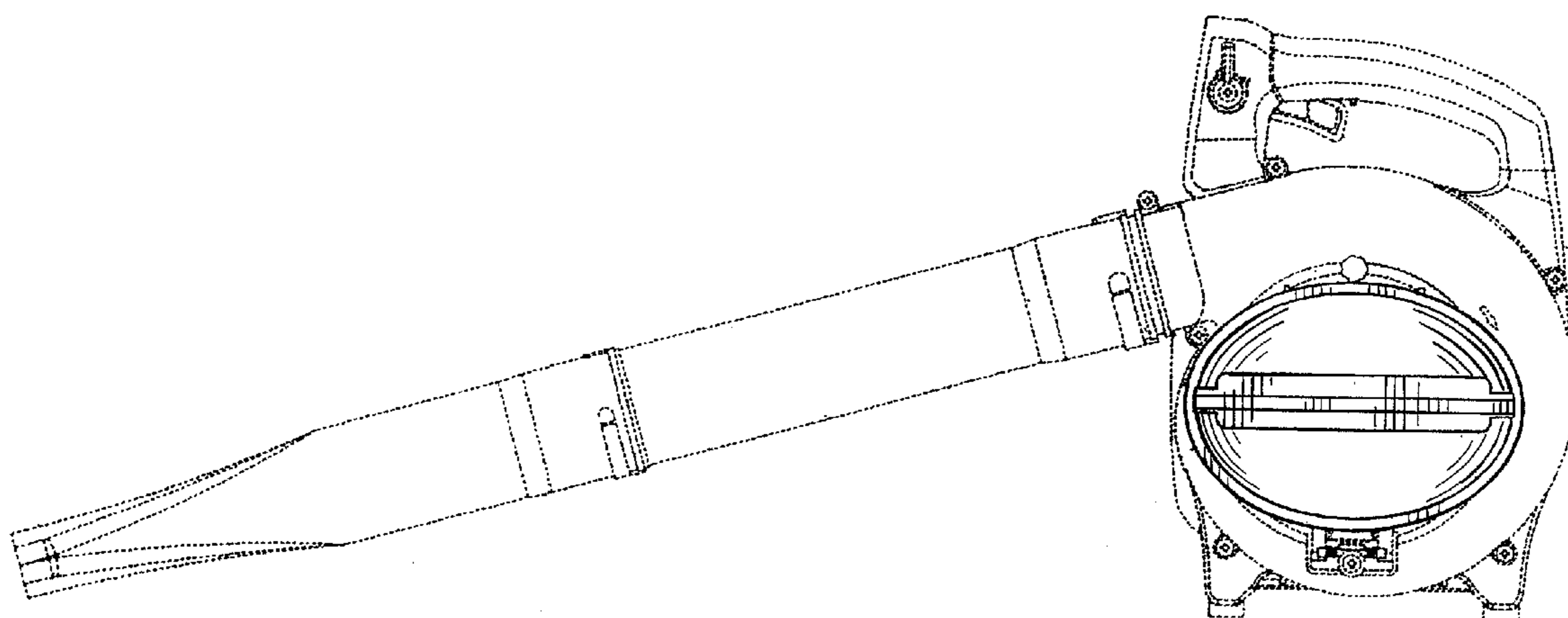


Fig.1

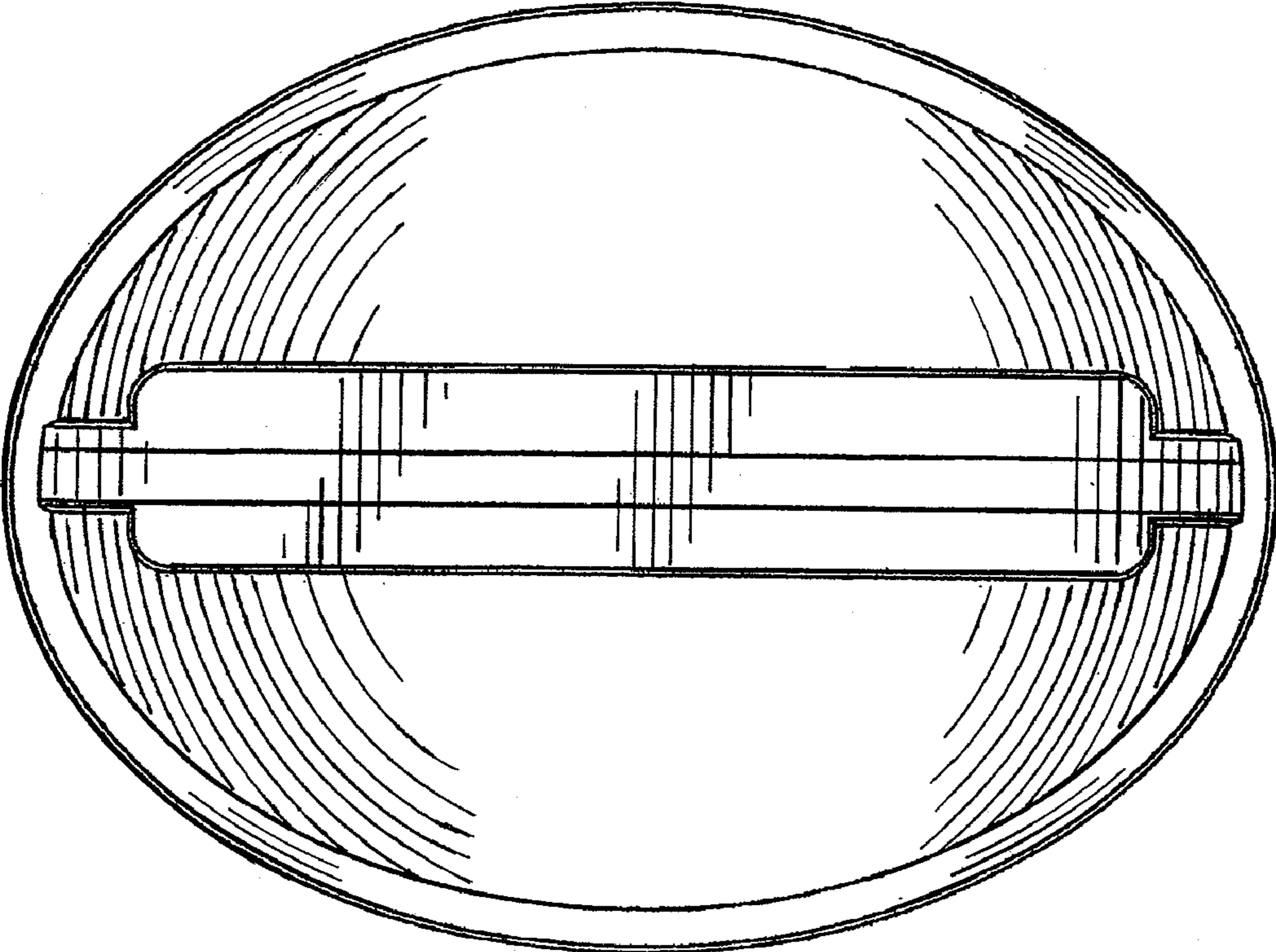


Fig.2

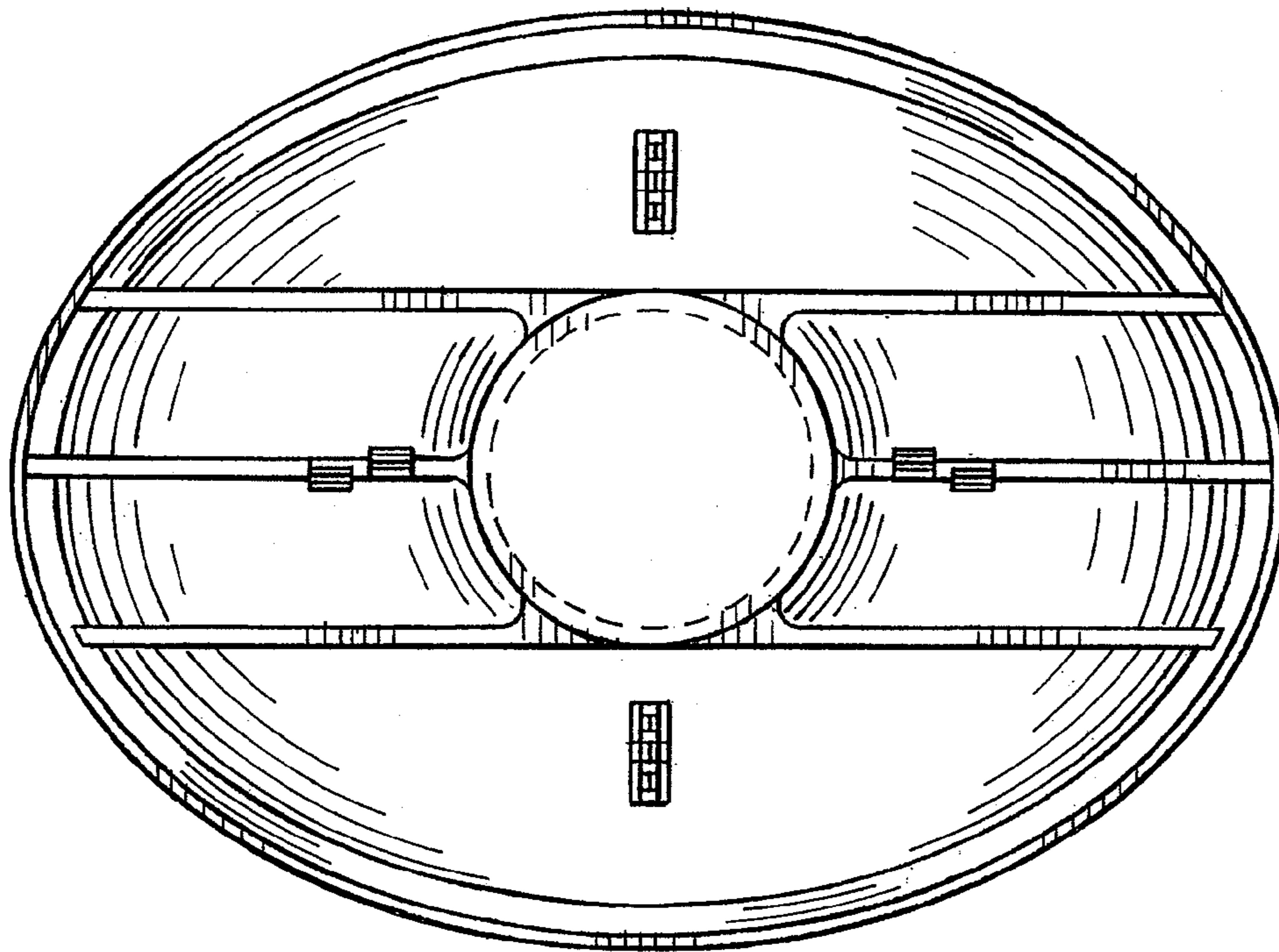


Fig.3

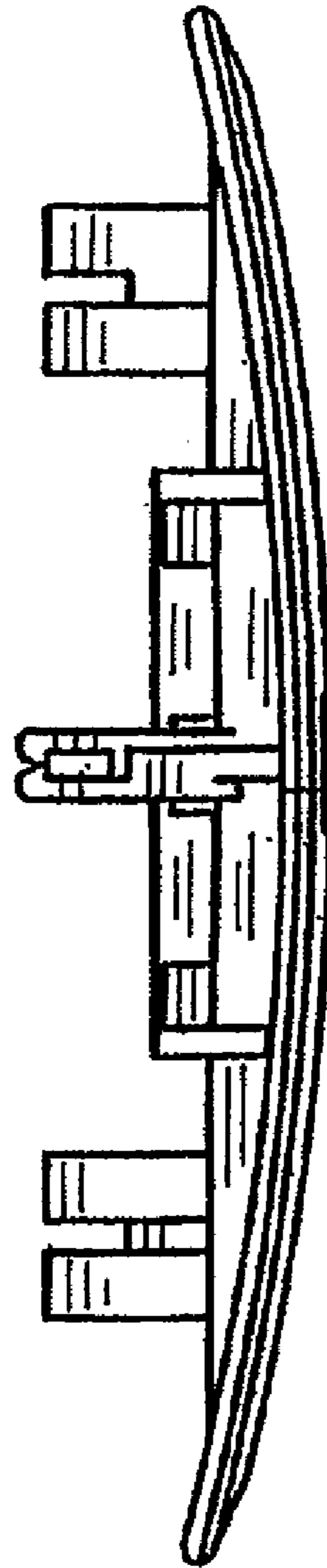


Fig.4

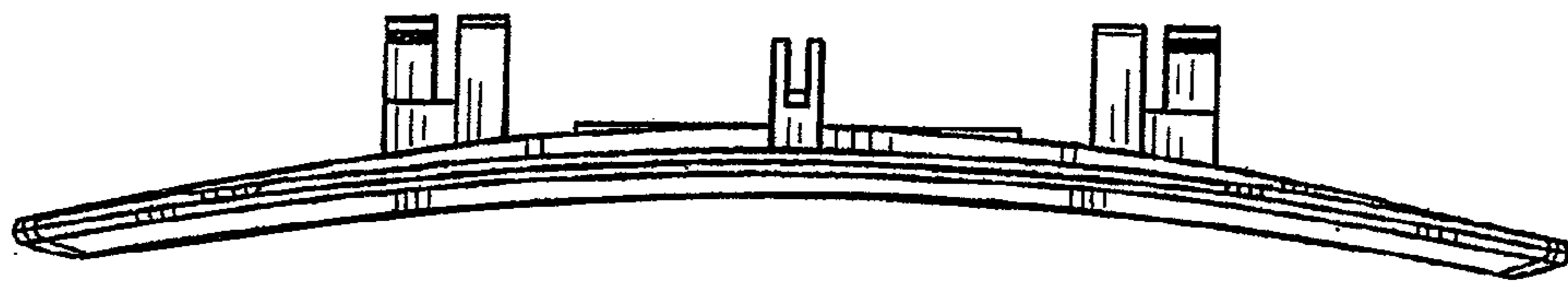
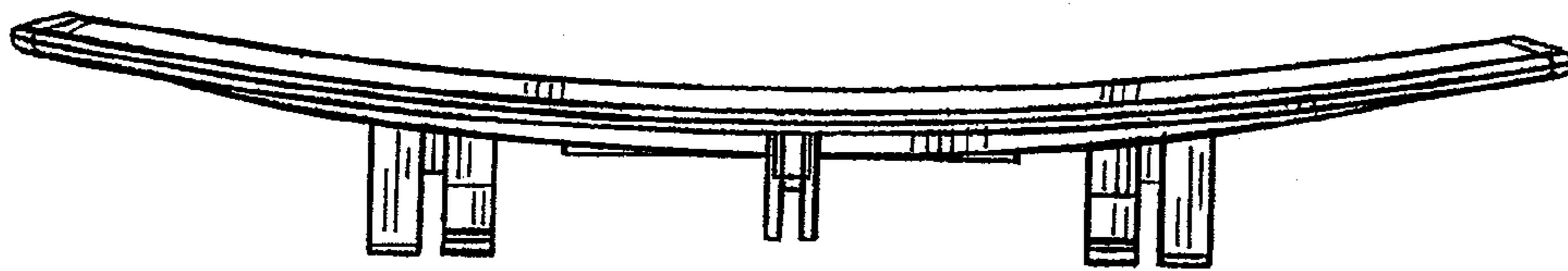


Fig.5



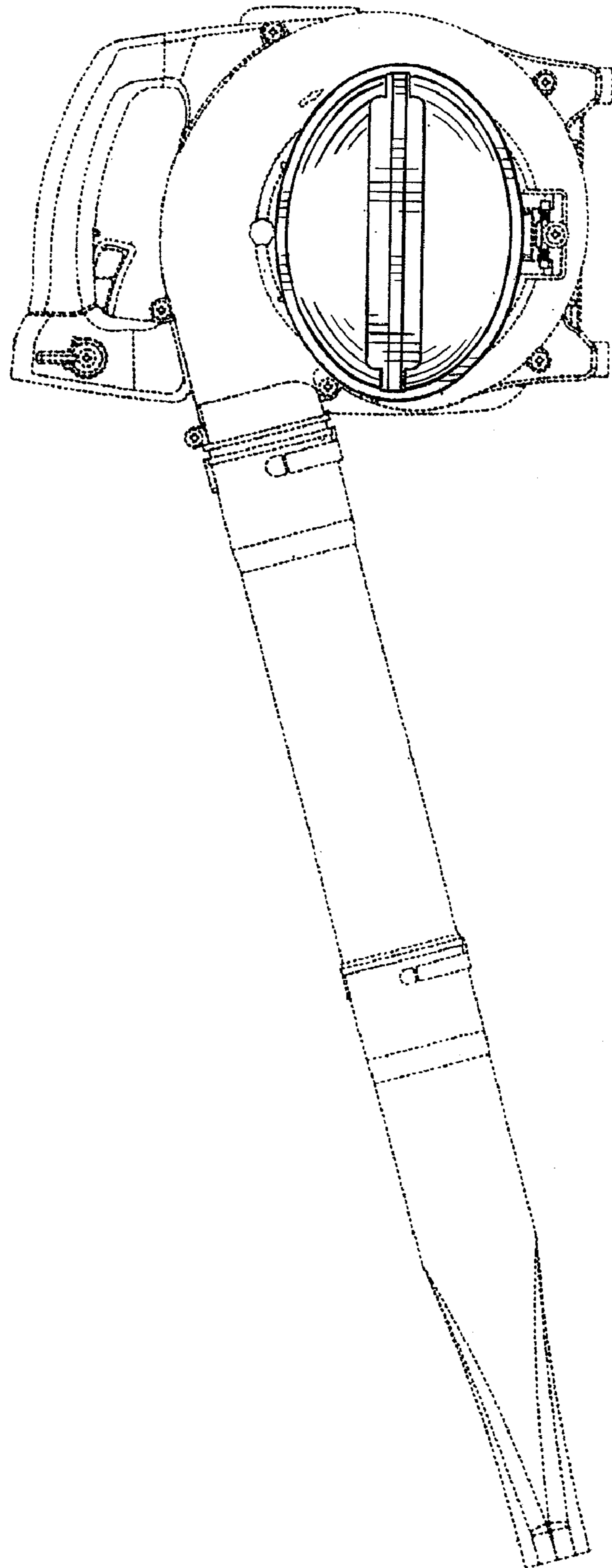


Fig.6