

US00D565815S

(12) **United States Design Patent**
Dyson et al.

(10) **Patent No.:** **US D565,815 S**

(45) **Date of Patent:** **** Apr. 1, 2008**

(54) **VACUUM CLEANER**

6,974,488 B2 * 12/2005 Dyson 55/346

D533,695 S * 12/2006 Dyson et al. D32/22

D534,324 S * 12/2006 Dyson et al. D32/22

(75) Inventors: **James Dyson**, Wiltshire (GB); **Evan James Stevens**, Wiltshire (GB); **Hadley White**, London (GB)

(73) Assignee: **Dyson Limited**, Wiltshire (GB)

* cited by examiner

Primary Examiner—Ruth McInroy

(**) Term: **14 Years**

(74) *Attorney, Agent, or Firm*—Morrison & Foerster LLP

(21) Appl. No.: **29/272,370**

(57) **CLAIM**

(22) Filed: **Feb. 7, 2007**

We claim the ornamental design for a vacuum cleaner, as shown and described.

(30) **Foreign Application Priority Data**

Aug. 8, 2006 (GB) 3025600

DESCRIPTION

(51) **LOC (8) Cl.** **15-05**

(52) **U.S. Cl.** **D32/22**

(58) **Field of Classification Search** D32/22,
D32/31–34; 15/321–322, 353, 324, 334,
15/347, 350–352, 415.1–422, 422.1, 361,
15/363, 374, 410–412; 34/84–85, 95.1, 633,
34/635, 638, 229

See application file for complete search history.

FIG. 1 is a perspective view of a vacuum cleaner showing our new design;

FIG. 2 is a top view thereof;

FIG. 3 is a bottom view thereof;

FIG. 4 is a side view thereof;

FIG. 5 is a side view of the opposite side of FIG. 4;

FIG. 6 is a front view thereof; and,

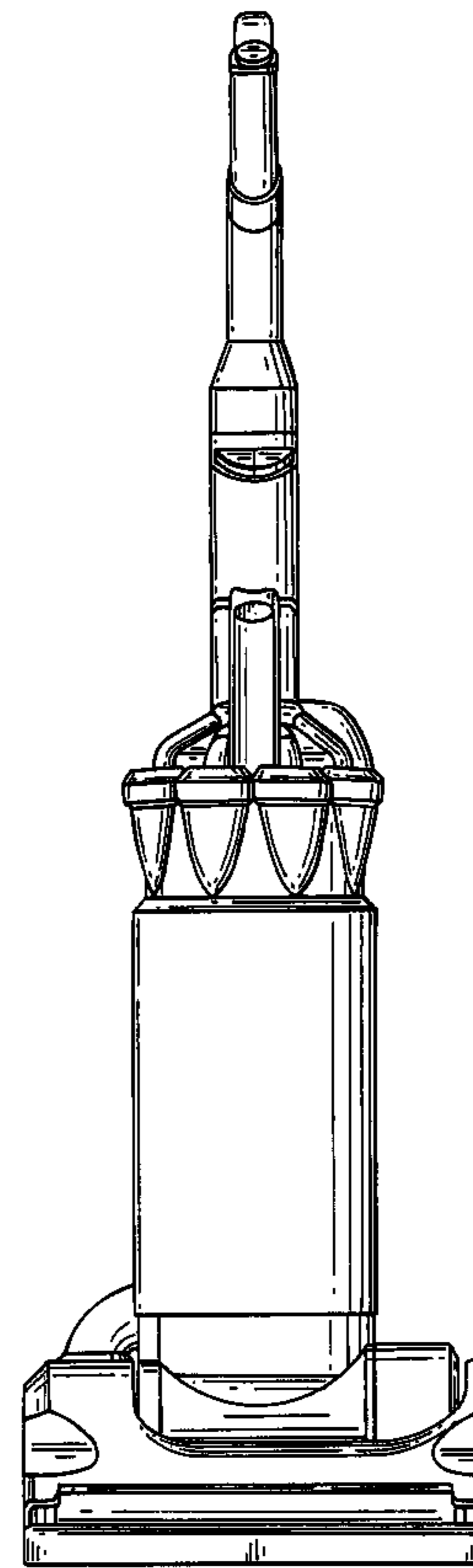
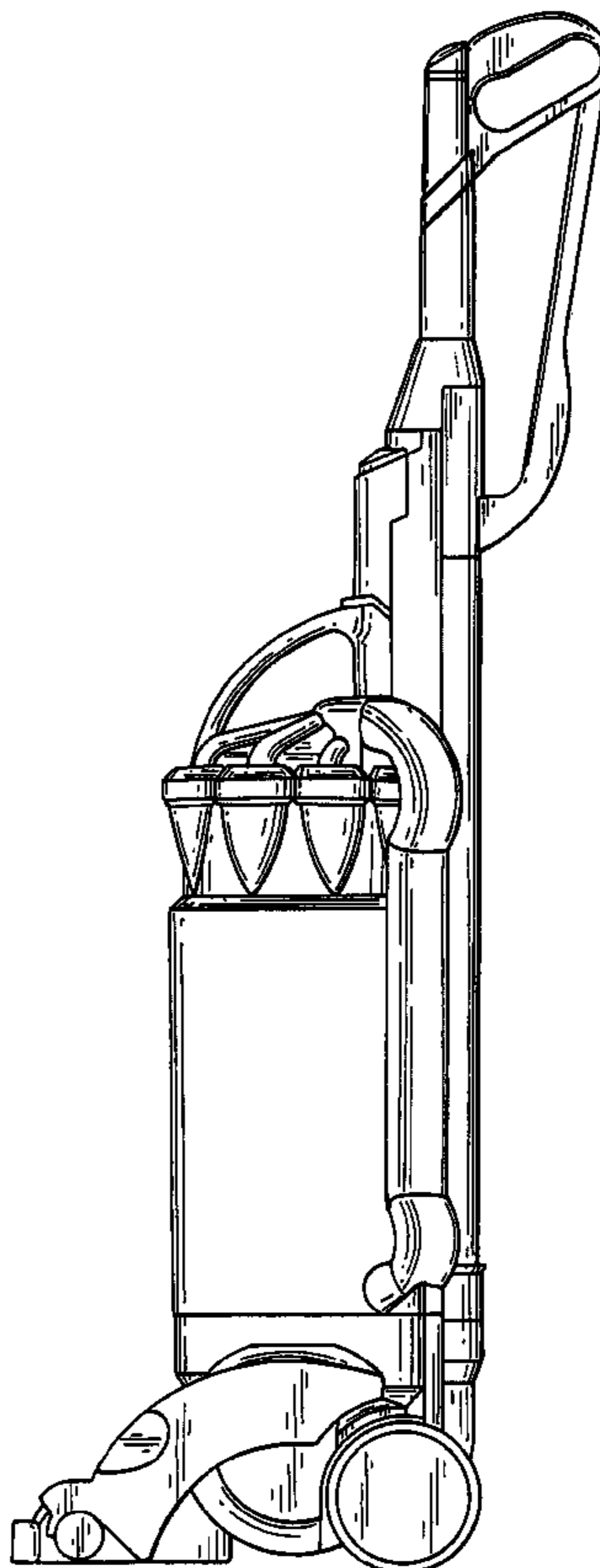
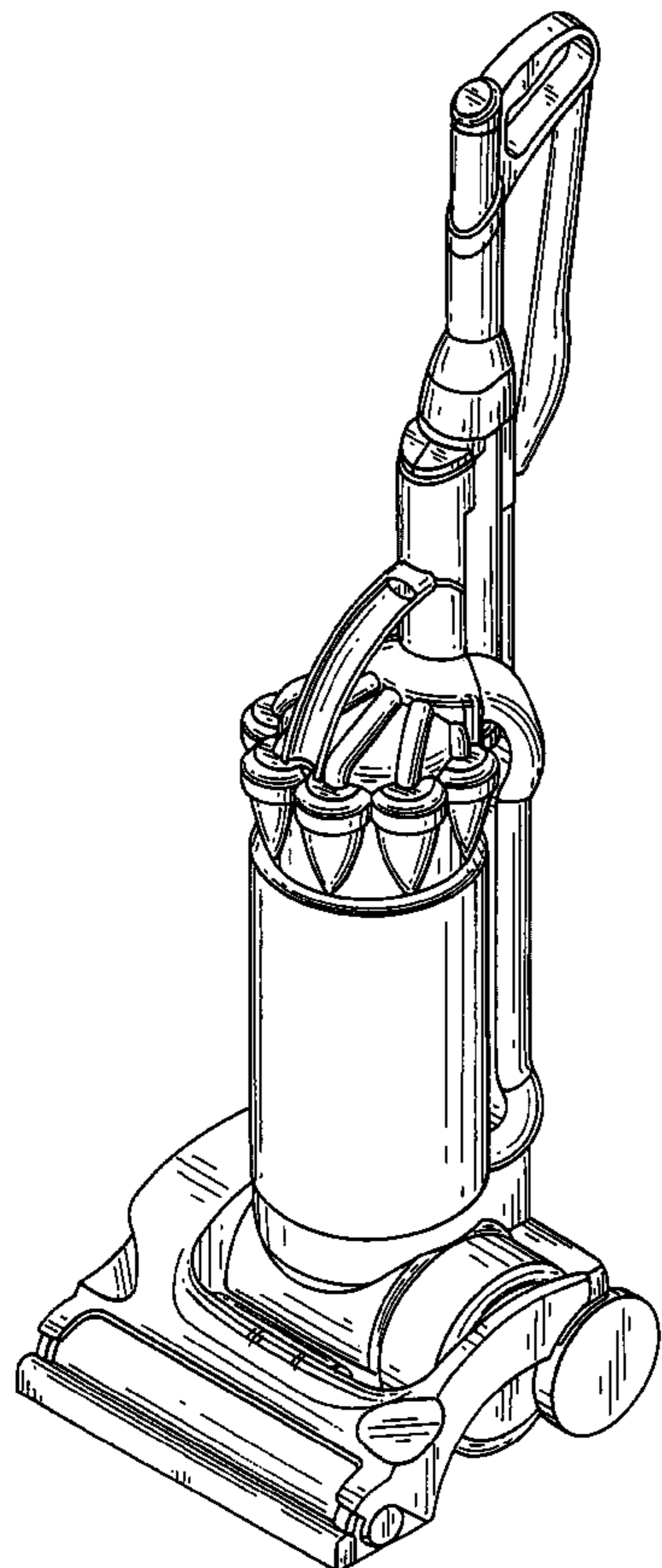
FIG. 7 is a rear view thereof.

(56) **References Cited**

U.S. PATENT DOCUMENTS

D475,820 S * 6/2003 Dyson et al. D32/22

1 Claim, 6 Drawing Sheets



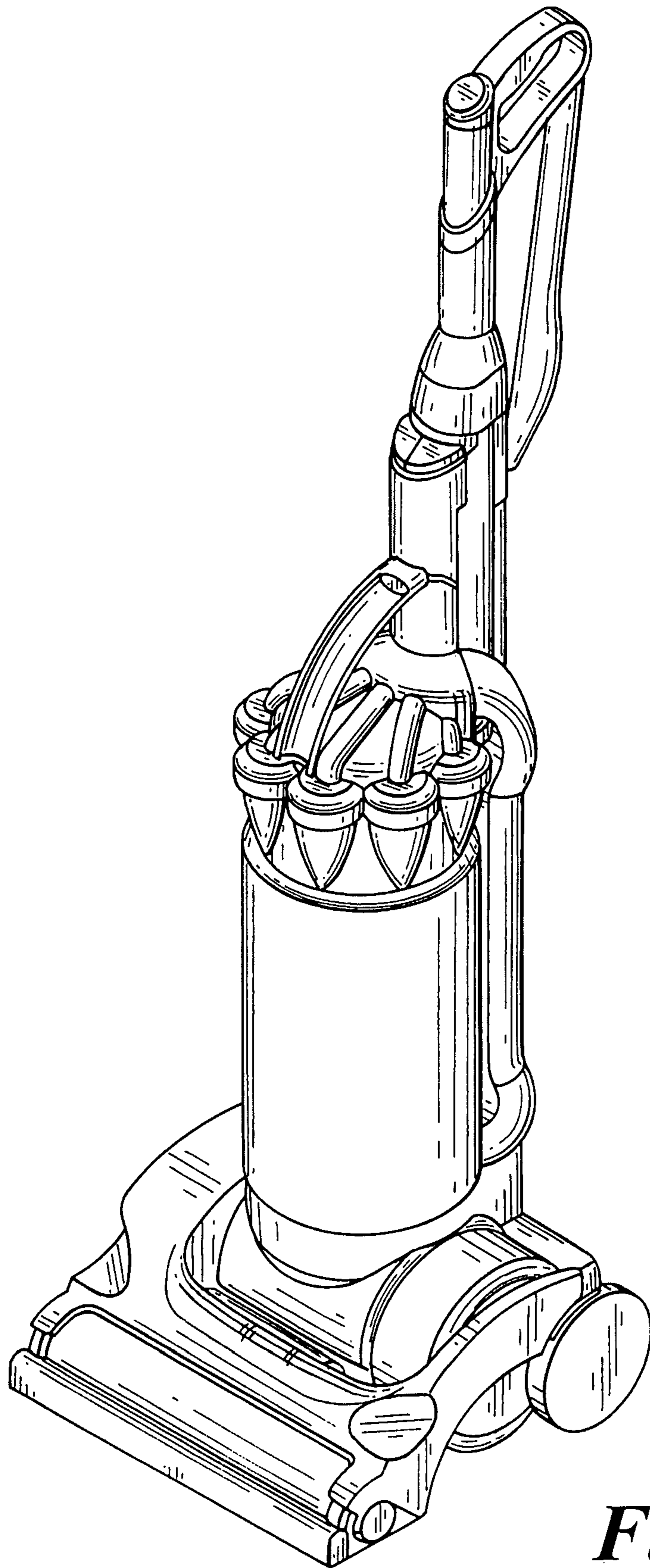


Fig. 1

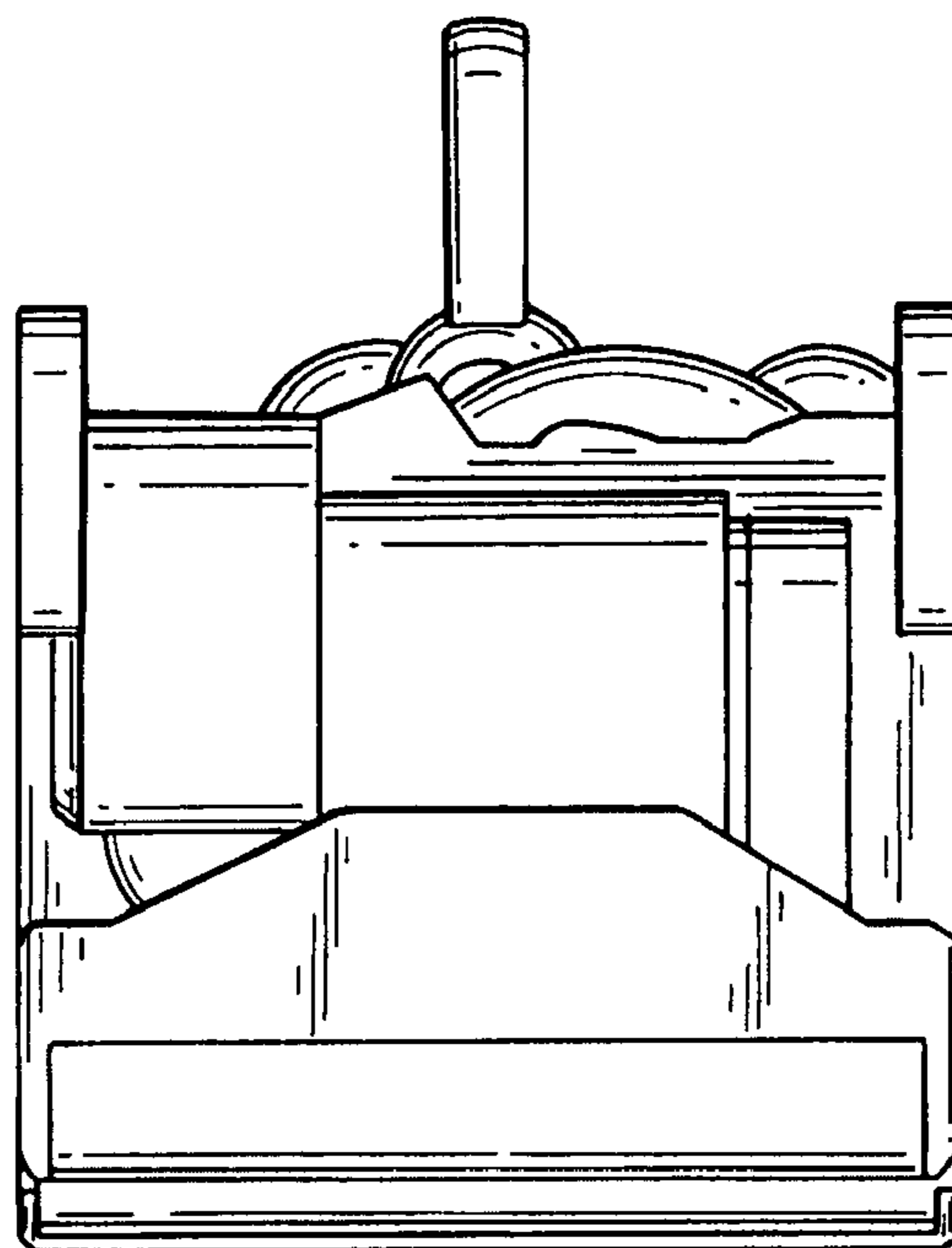


Fig. 2

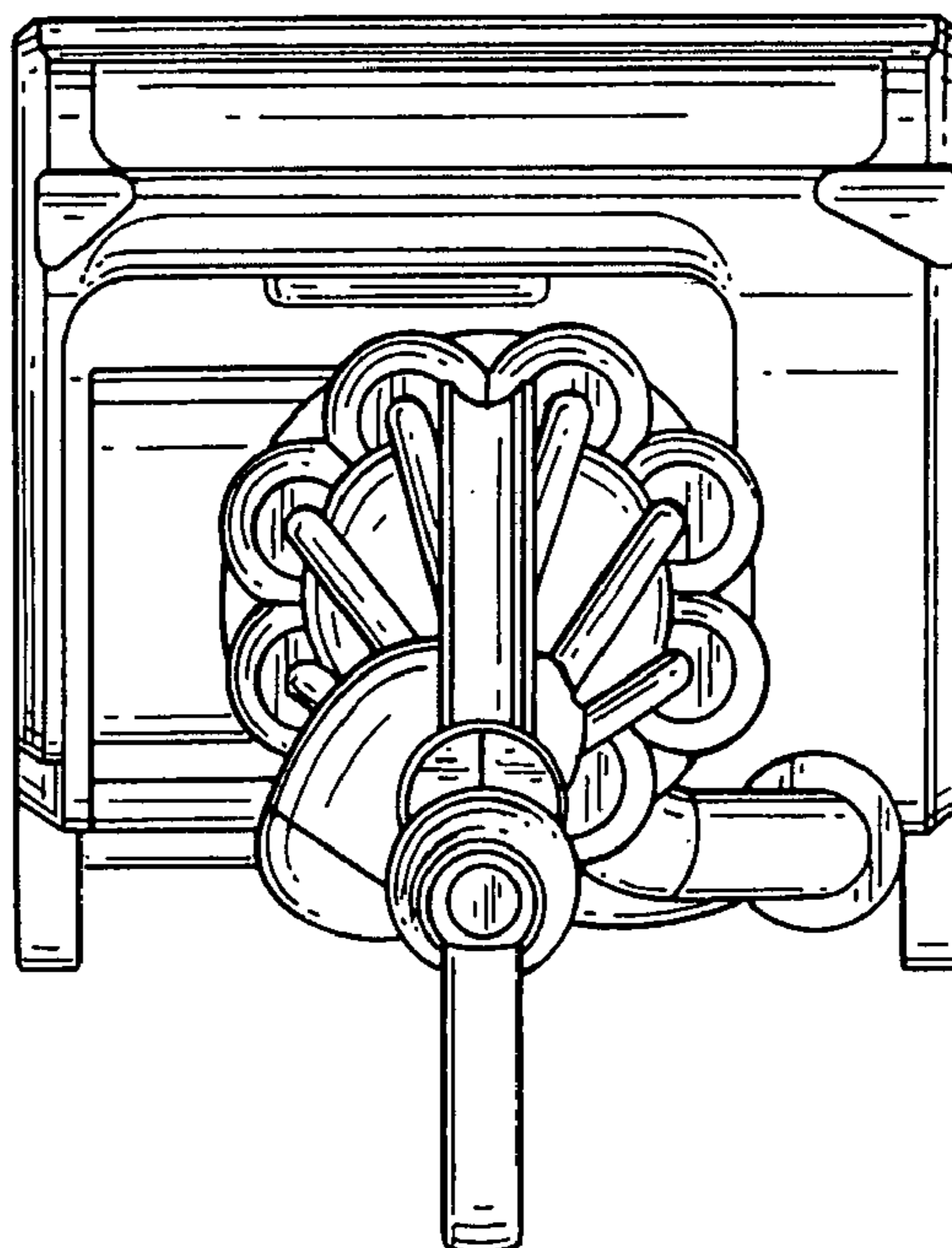


Fig. 3

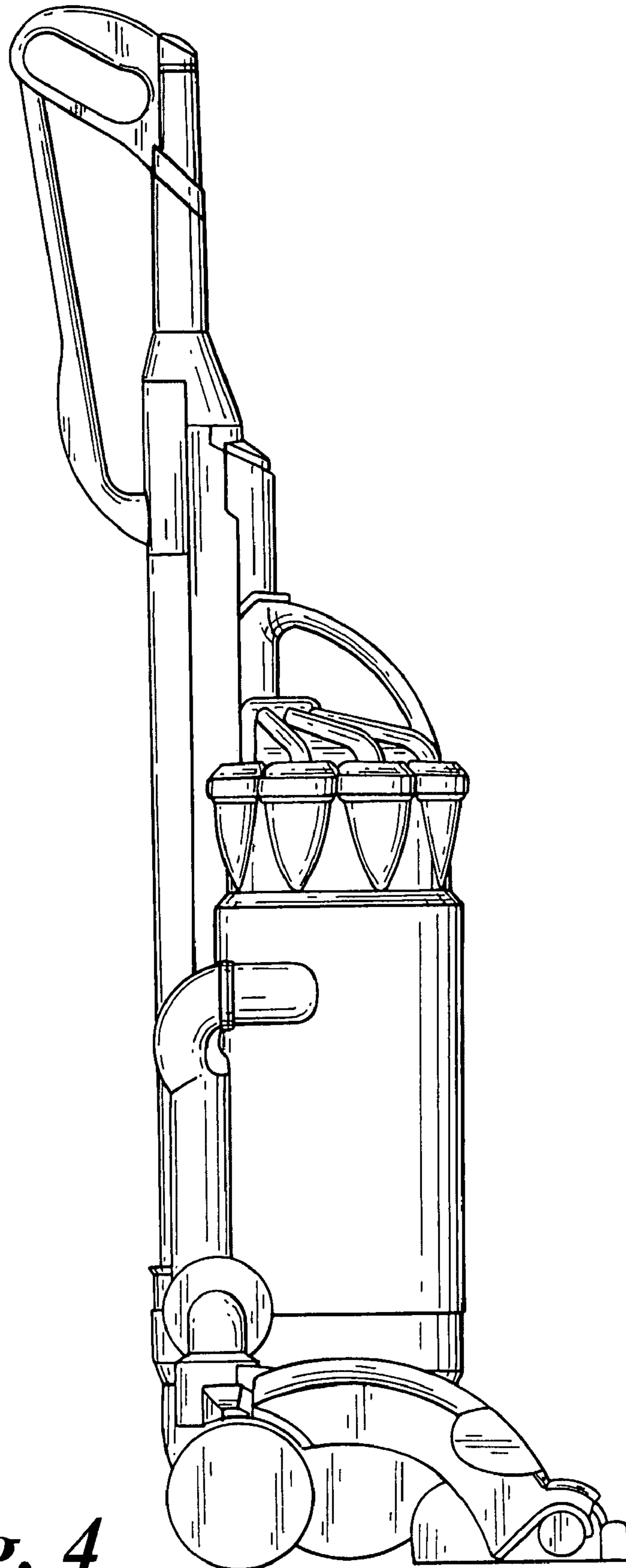


Fig. 4

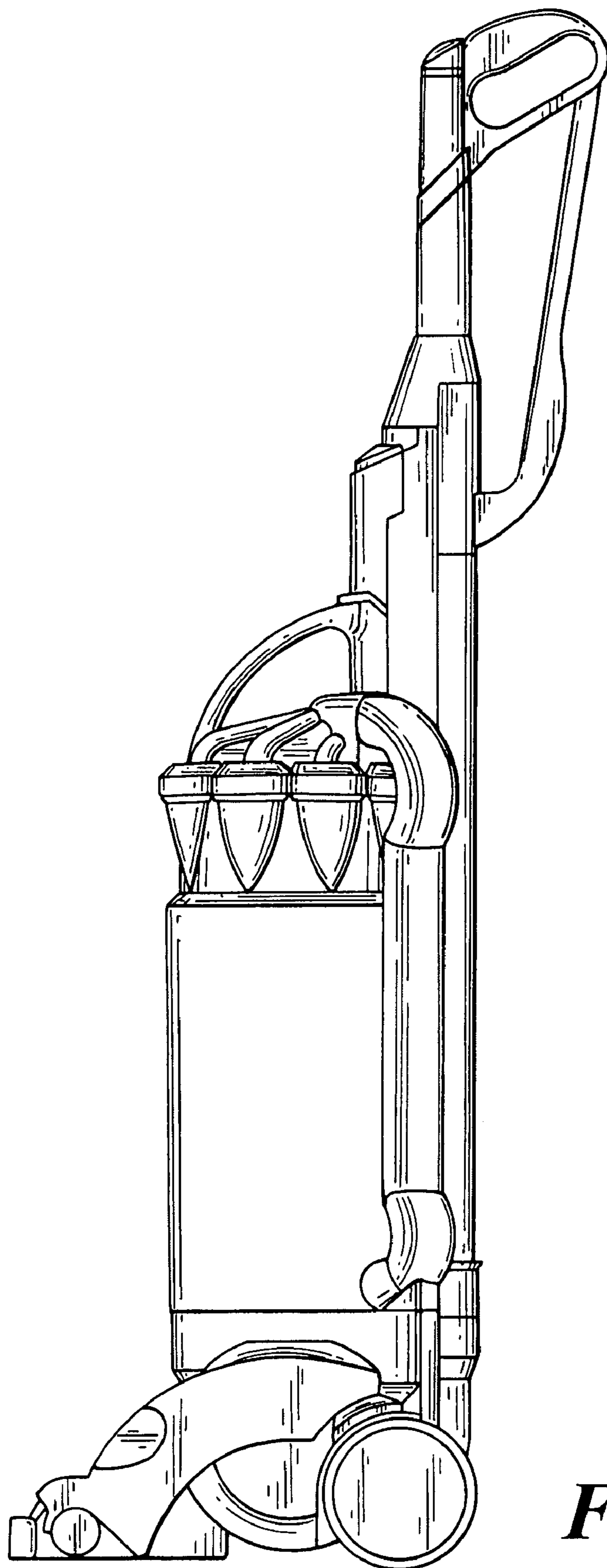


Fig. 5

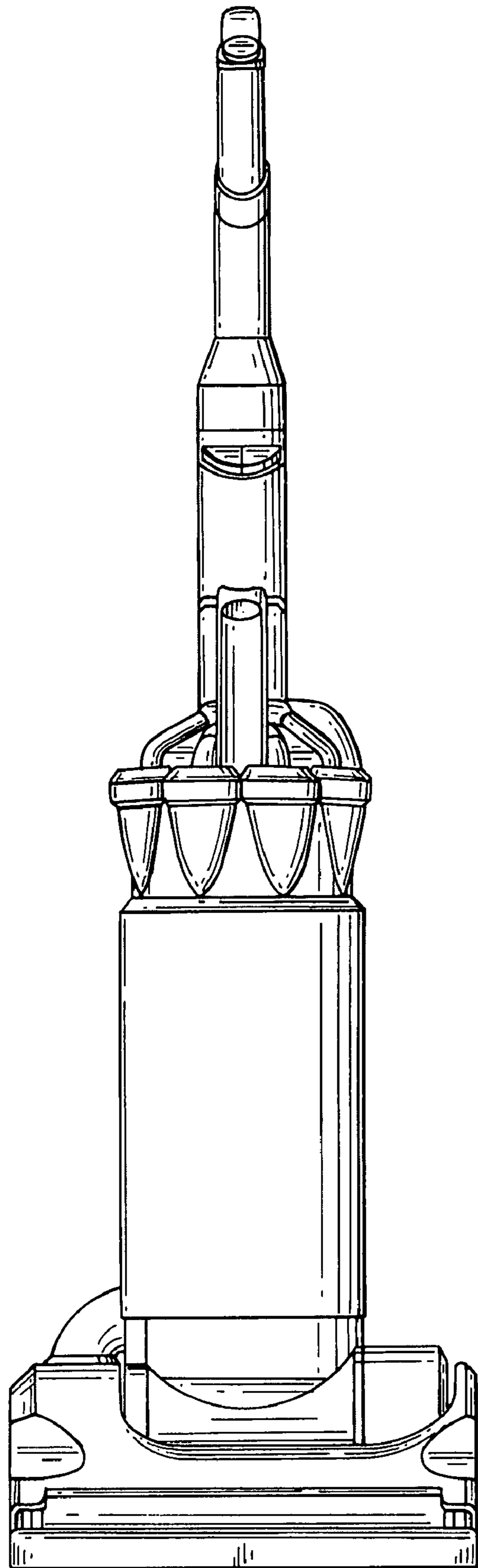


Fig. 6

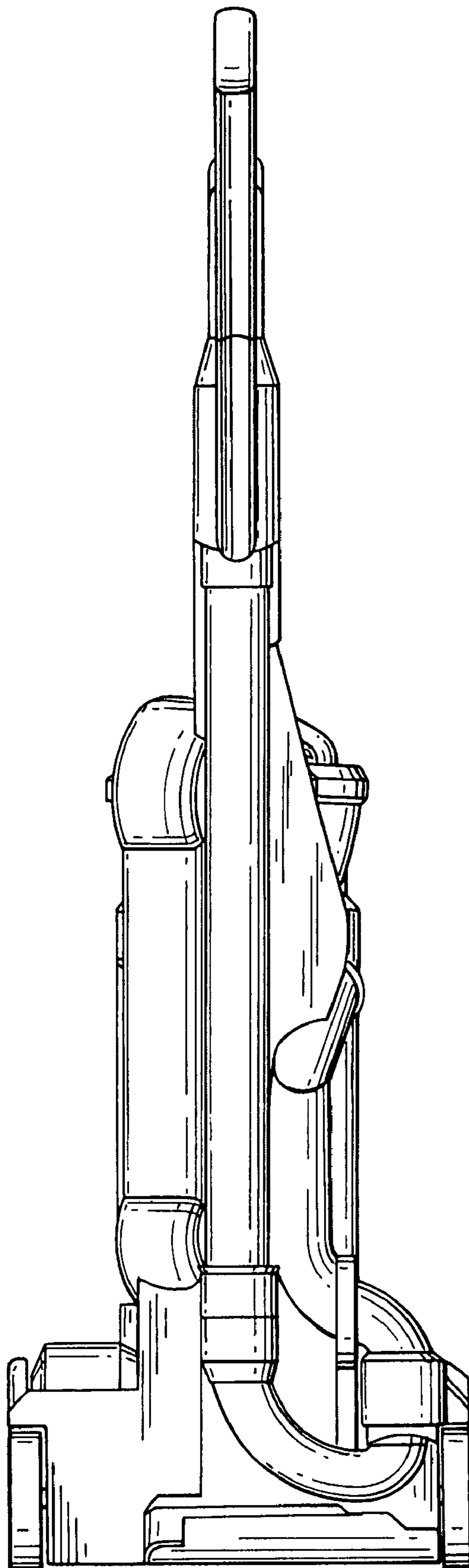


Fig. 7