

US00D565810S

(12) **United States Design Patent**
Alexander

(10) **Patent No.:** **US D565,810 S**

(45) **Date of Patent:** **** Apr. 1, 2008**

(54) **PRESSURE WASHER**

2006/0185113 A1* 8/2006 Kloeppel et al. 15/320

(75) Inventor: **Gus Alexander**, Inverness, IL (US)

(73) Assignee: **FAIP North America, Inc.**, Elk Grove Village, IL (US)

(**) Term: **14 Years**

(21) Appl. No.: **29/291,103**

(22) Filed: **Aug. 14, 2007**

(51) **LOC (8) Cl.** **15-05**

(52) **U.S. Cl.** **D32/15**

(58) **Field of Classification Search** D32/1-2,
D32/4, 15-25, 33-34; 134/6, 18, 21, 25.4,
134/34, 40; 15/49.1, 327.2, 320-323, 332,
15/340, 344, 347, 353-354, 401, 412, 414
See application file for complete search history.

(56) **References Cited**

U.S. PATENT DOCUMENTS

- D338,292 S * 8/1993 Schmitz et al. D32/21
- D368,993 S * 4/1996 Stutzer et al. D32/21
- D381,779 S * 7/1997 Pritchett et al. D32/21
- D464,471 S * 10/2002 Burdsall et al. D32/15
- D547,014 S * 7/2007 Chen D32/15

OTHER PUBLICATIONS

http://www.pressurewashersdirect.com/catalog/images/K293_400.jpg
Dec. 20, 2007.*

http://www.pressurewashersdirect.com/catalog/images/1500AXDE_400.jpg
Dec. 20, 2007.*

* cited by examiner

Primary Examiner—Louis S. Zarfes

Assistant Examiner—Kathleen Sims

(74) *Attorney, Agent, or Firm*—Leydig, Voit & Mayer, Ltd

(57) **CLAIM**

The ornamental design for a pressure washer, as shown and described.

DESCRIPTION

FIG. 1 is a front, elevational view of a pressure washer showing my new design;

FIG. 2 is a rear elevational view thereof;

FIG. 3 is a left side elevational view thereof;

FIG. 4 is a right side elevational view thereof;

FIG. 5 is a top plan view thereof; and,

FIG. 6 is a bottom plan view.

1 Claim, 6 Drawing Sheets

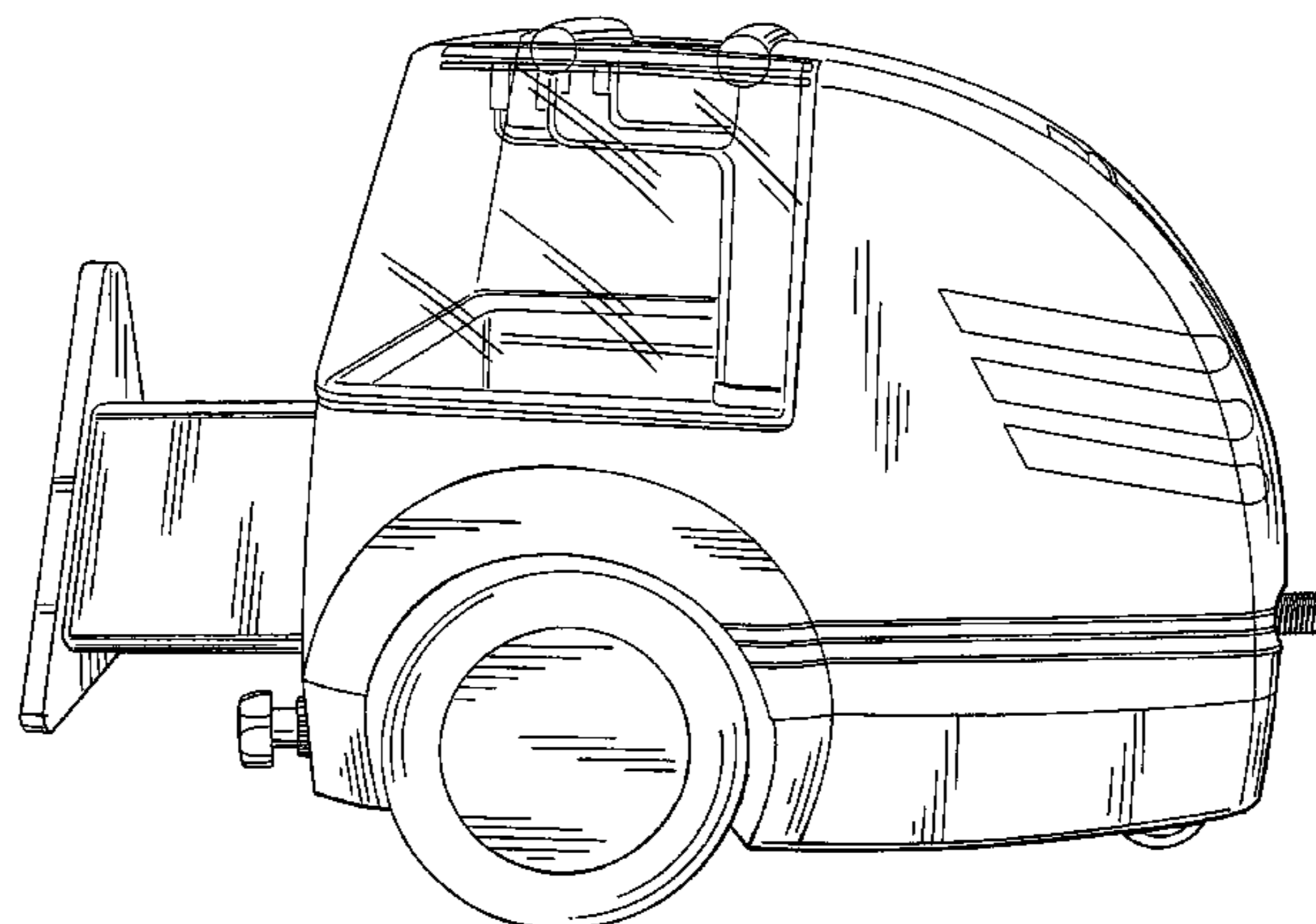
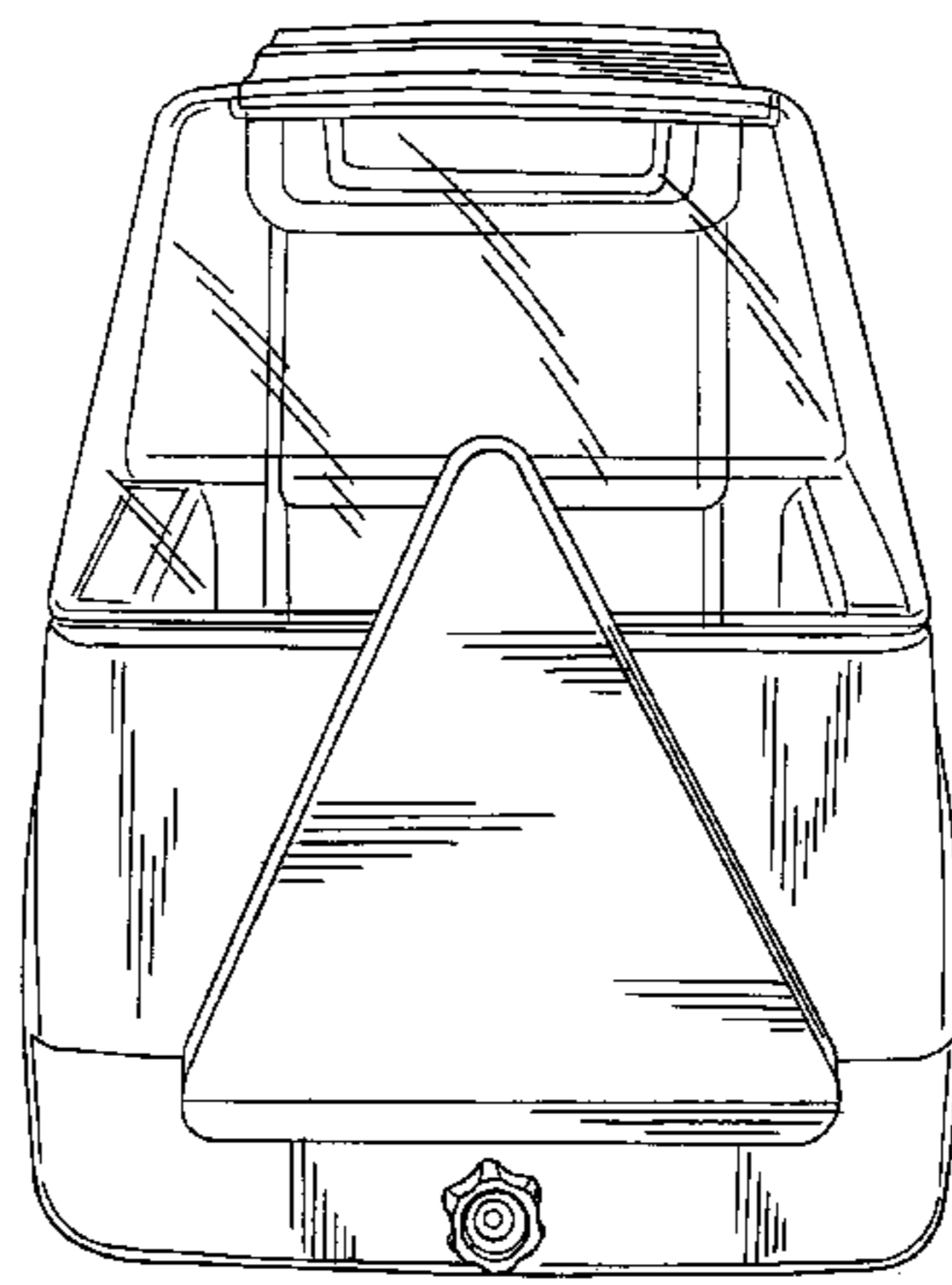
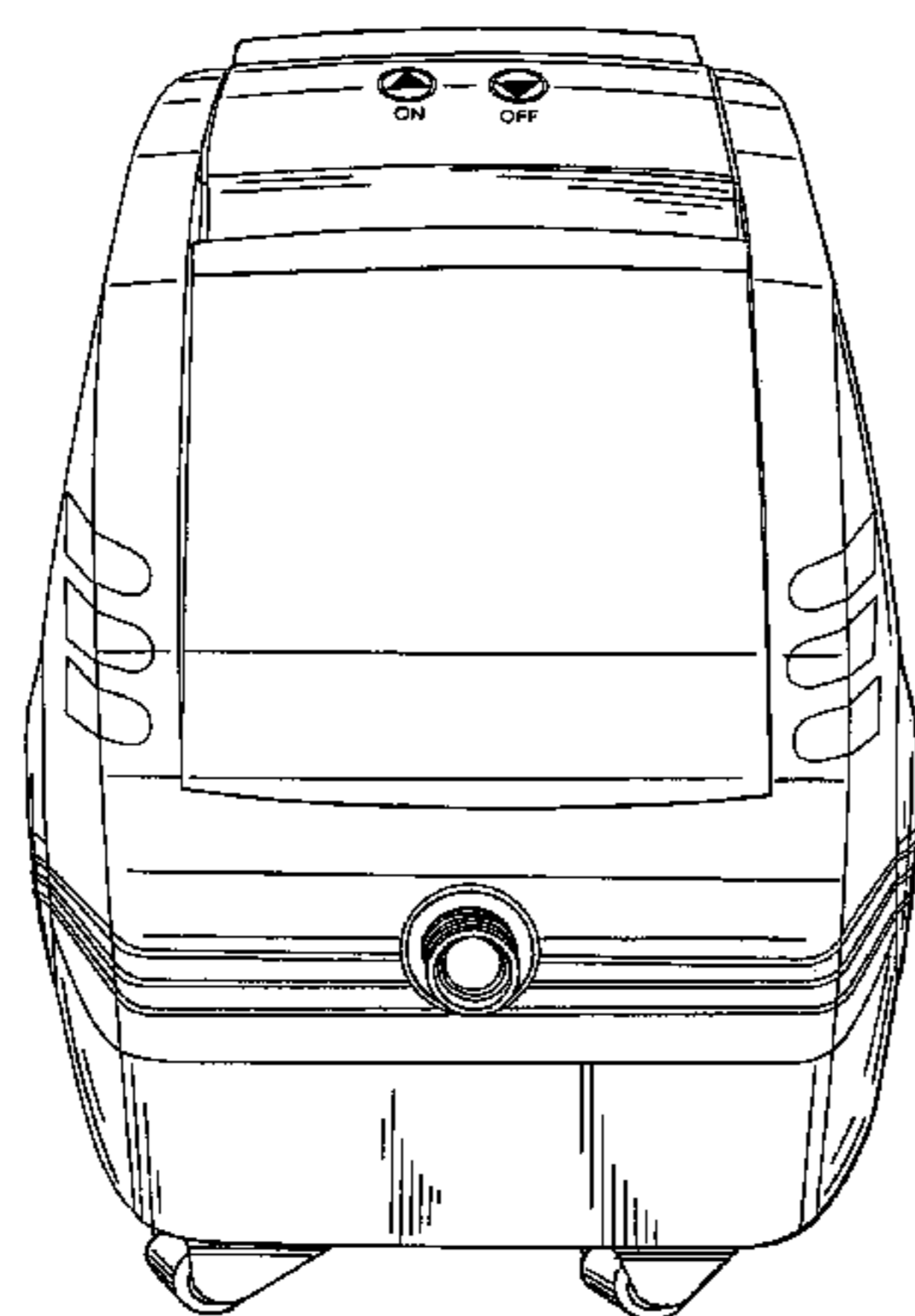


FIG. 1

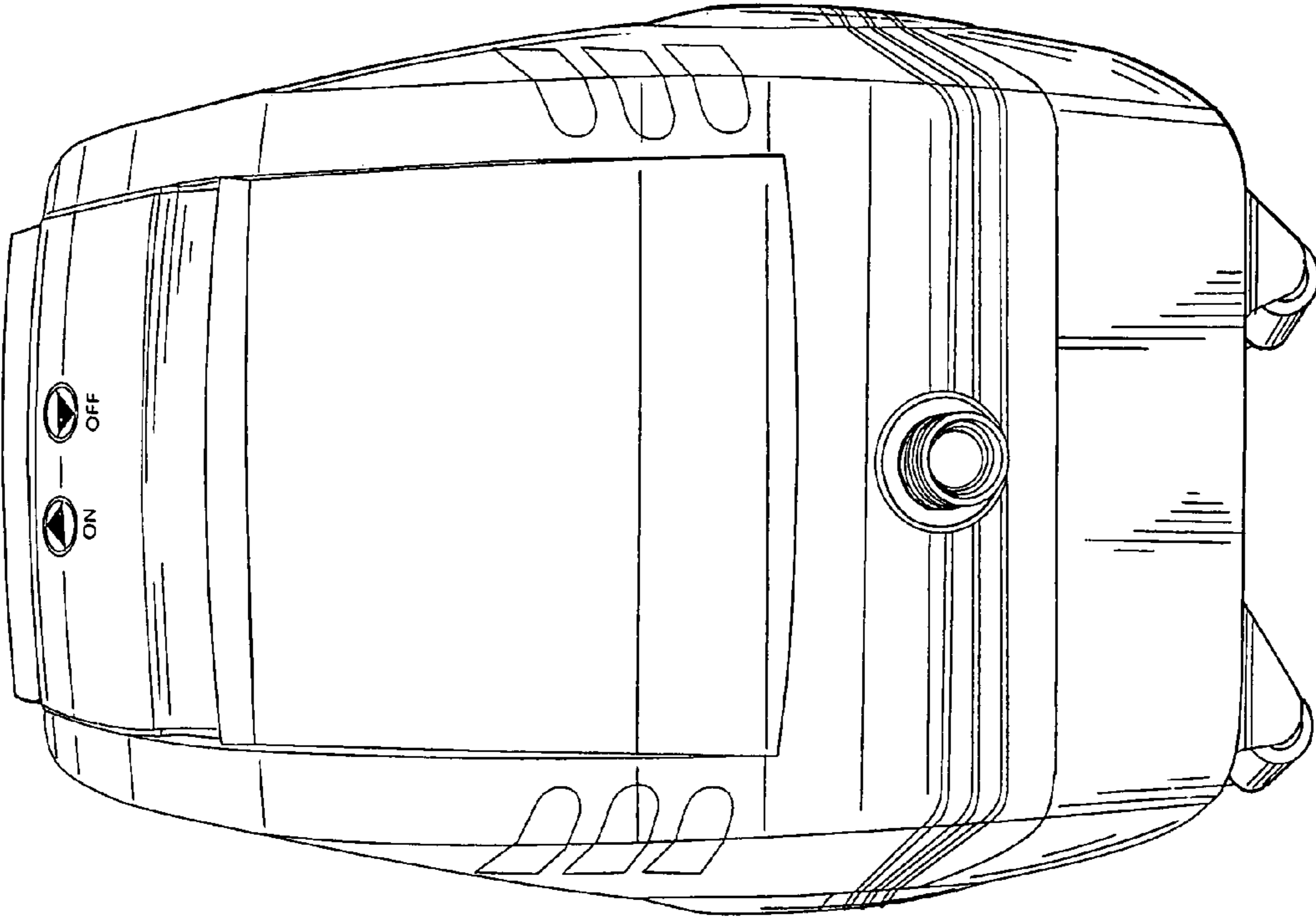


FIG. 2

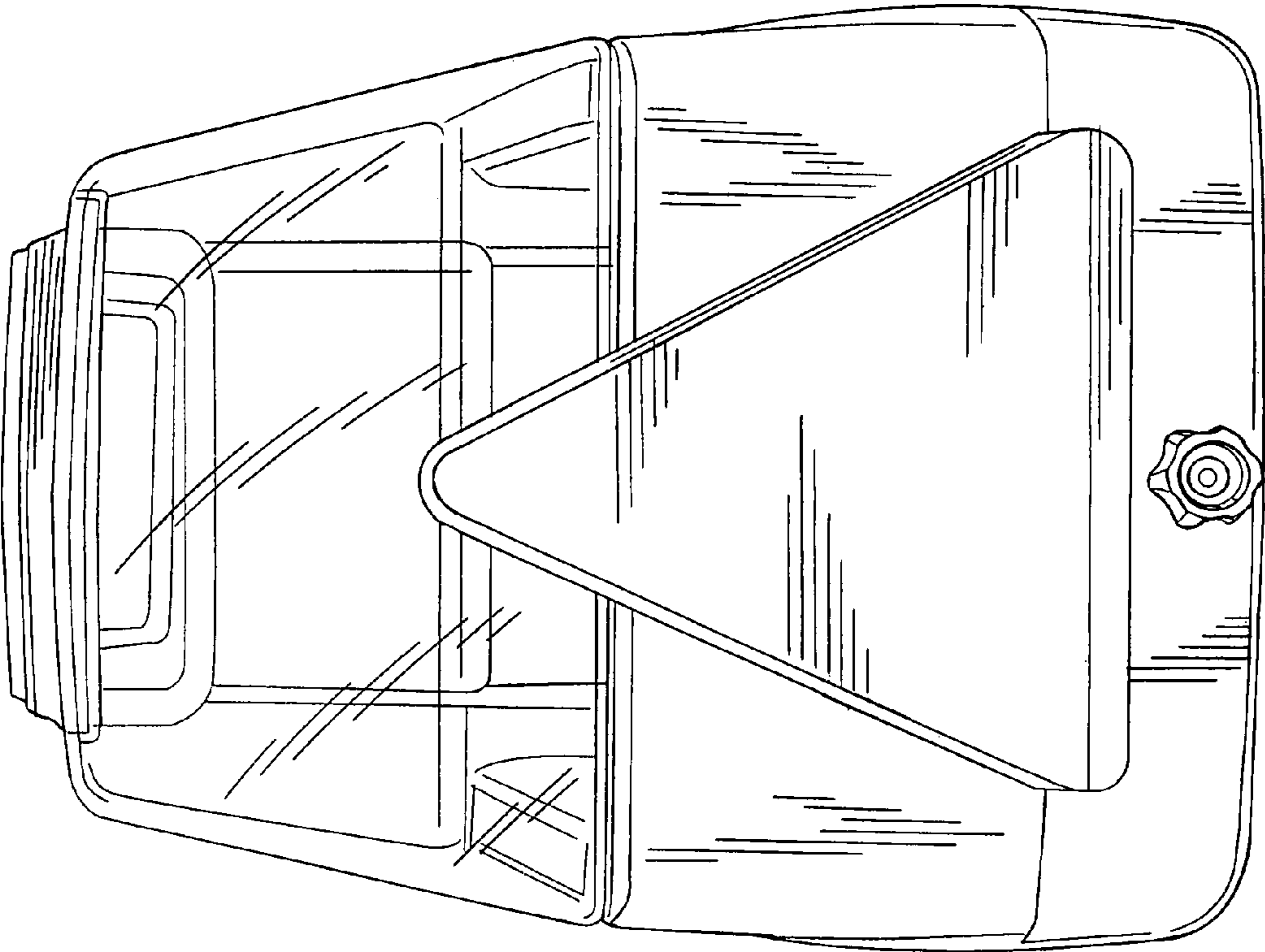


FIG. 3

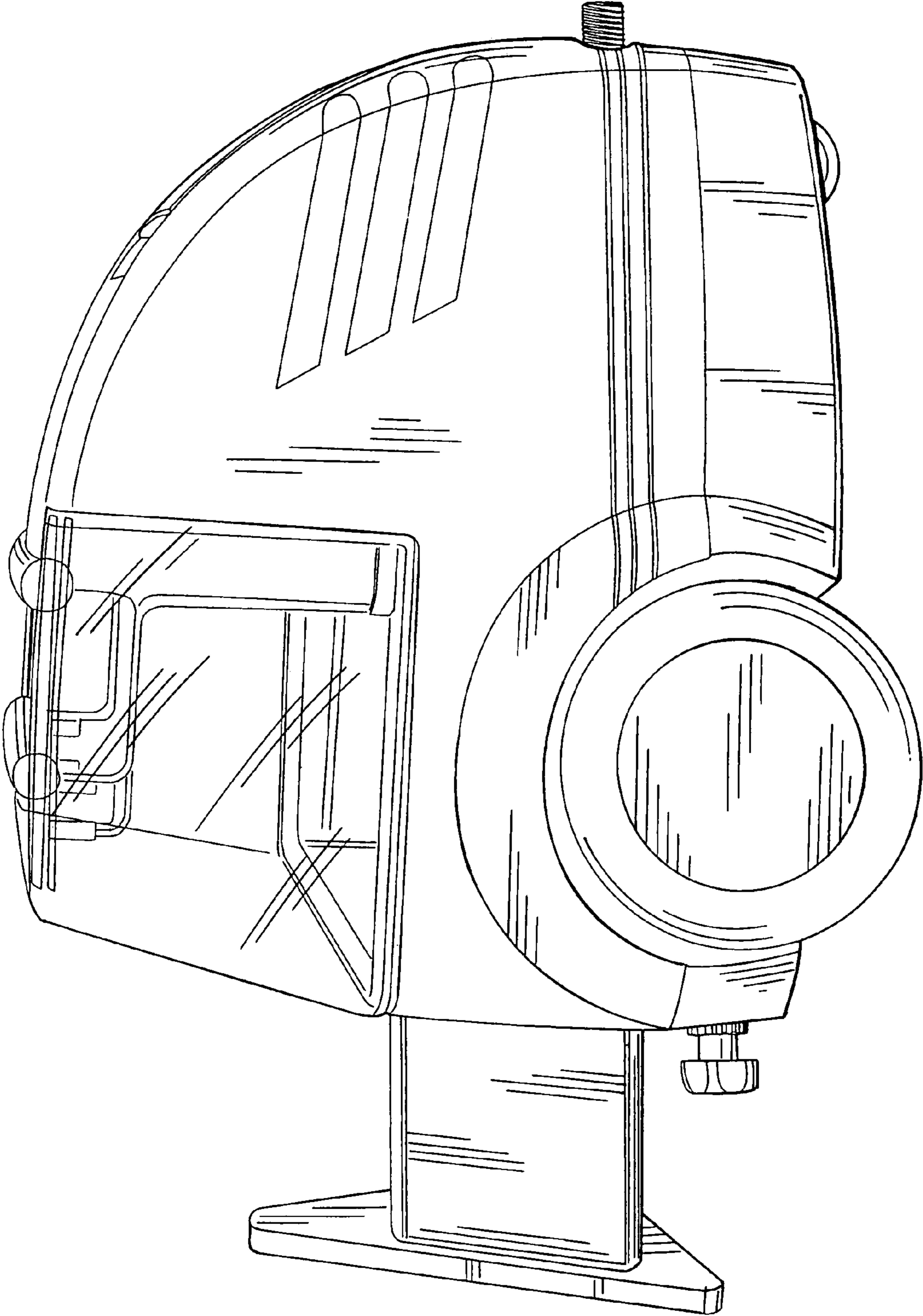


FIG. 4

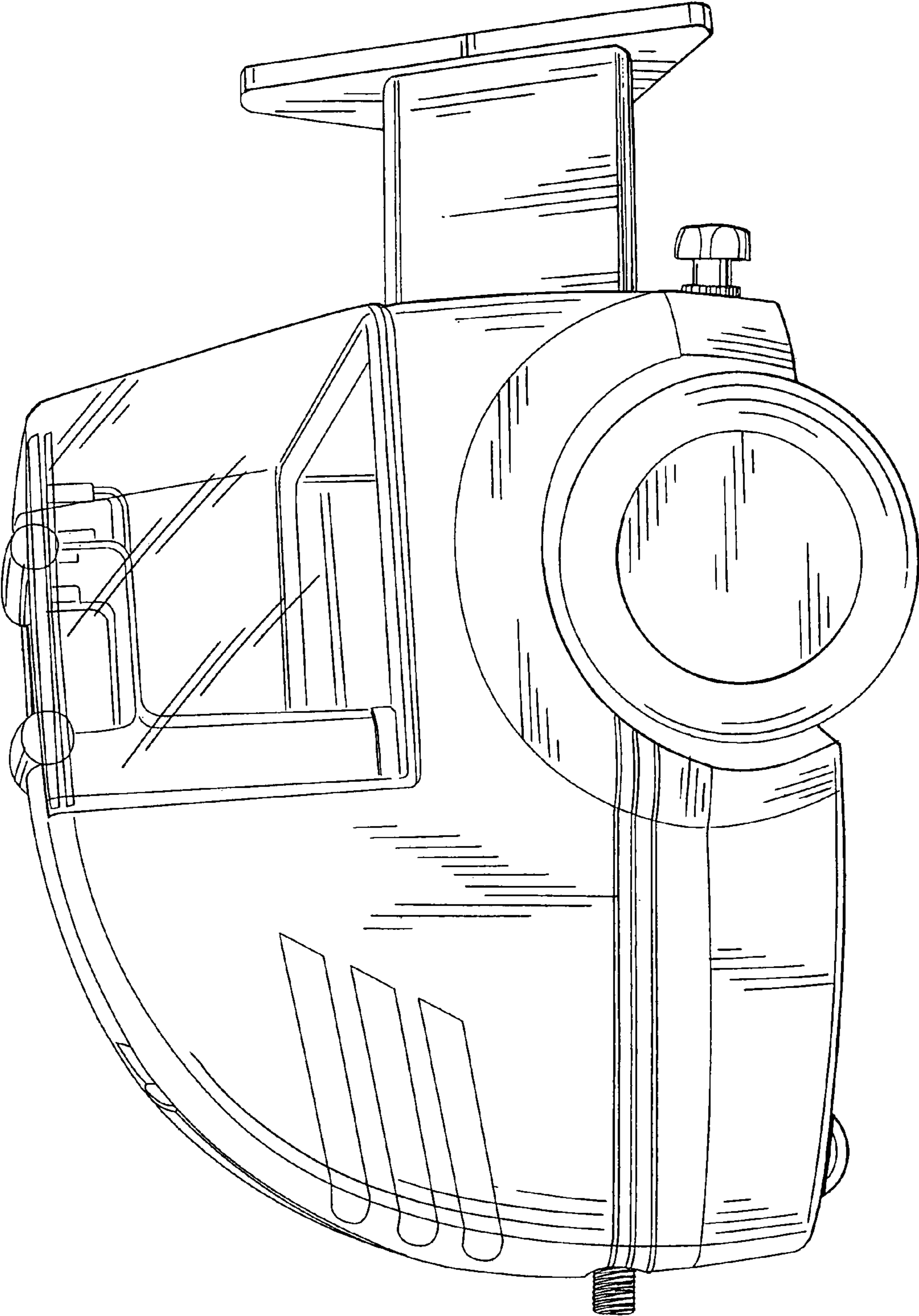


FIG. 5

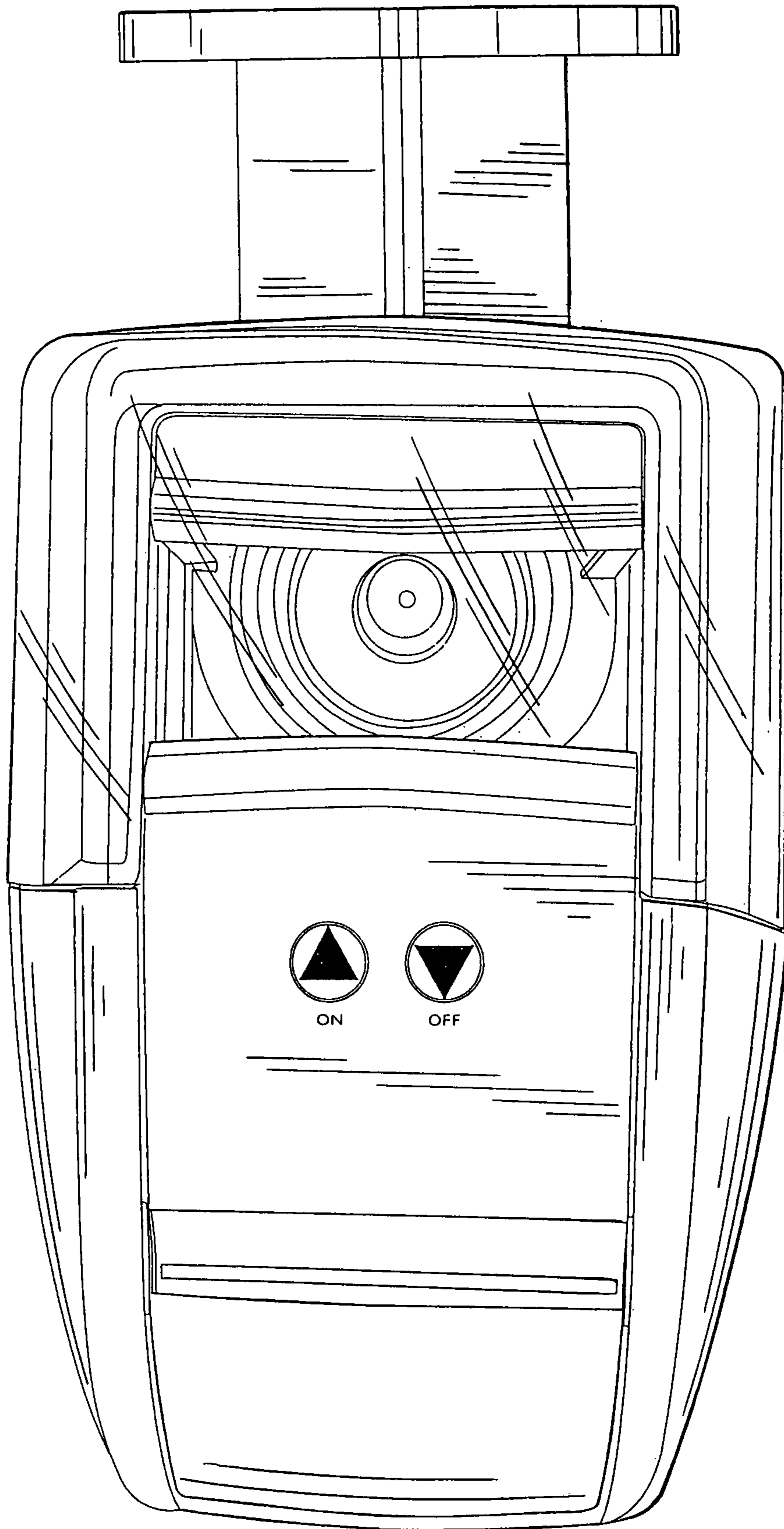


FIG. 6

