



US00D565805S

(12) **United States Design Patent**  
**Modi et al.**

(10) **Patent No.: US D565,805 S**  
(45) **Date of Patent: \*\* Apr. 1, 2008**

(54) **COMBINED PET FEEDER STAND AND  
DUAL PET FEEDER BOWLS**

(75) Inventors: **Siddharth Modi**, New Delhi (IN);  
**Steven Tsengas**, Fairport Harbor, OH  
(US)

(73) Assignee: **OurPet's Company**, Fairport Harbor,  
OH (US)

(\*\*) Term: **14 Years**

(21) Appl. No.: **29/269,217**

(22) Filed: **Nov. 24, 2006**

(51) **LOC (8) Cl.** ..... **30-03**

(52) **U.S. Cl.** ..... **D30/133; D30/121; D30/129;  
D30/131; D30/132**

(58) **Field of Classification Search** ..... D30/121,  
D30/122, 129-133; 119/61.5, 51.01, 61.56,  
119/51.03, 59, 62, 63, 51.5, 57.8, 74, 61.54,  
119/61.55; 312/204; 248/151, 188, 315;  
108/156, 153.1-157; 220/23.87, 630, 737,  
220/743, 9.4, 495.01, 574, 212, 255, 23.83,  
220/23.4; 206/515; D7/586, 543, 550.1,  
D7/587, 505, 584, 545, 500, 553.1-553.8,  
D7/546, 555, 556, 504, 565, 562, 602, 704-706,  
D7/621, 600, 601, 407, 402; D9/429; 43/109;  
D22/122; 99/430, DIG. 15; 294/160, 143;  
211/74

See application file for complete search history.

(56) **References Cited**

**U.S. PATENT DOCUMENTS**

2,584,301 A \* 2/1952 Sinclair ..... 119/61.53  
D166,410 S \* 4/1952 Press ..... D7/364  
D180,676 S \* 7/1957 Thorpe ..... D7/704  
D186,415 S \* 10/1959 Ikeda ..... D7/704

D236,412 S \* 8/1975 Koretz ..... D7/600  
D237,980 S \* 12/1975 Clugston ..... D30/121  
D257,068 S \* 9/1980 Imhoff ..... D30/129  
D288,053 S \* 2/1987 Maza et al. .... D7/704  
D302,756 S \* 8/1989 Trine ..... D30/133  
D375,819 S \* 11/1996 Benson ..... D30/133  
D441,621 S \* 5/2001 Levy ..... D7/704

\* cited by examiner

*Primary Examiner*—Melanie Tung

*Assistant Examiner*—Susan Moon Lee

(74) *Attorney, Agent, or Firm*—John D. Gueliotta

(57) **CLAIM**

We claim the ornamental design for a combined pet feeder stand with dual pet feeder bowls, as shown and described.

**DESCRIPTION**

FIG. 1 is a perspective view of a combined pet feeder stand and dual pet feeder bowls showing our new design;

FIG. 2 is a front elevational view, the opposite side being a mirror image thereof;

FIG. 3 is a left side elevational view, the opposite side being a mirror image thereof;

FIG. 4 is a top plan view thereof;

FIG. 5 is a bottom plan view thereof;

FIG. 6 is a perspective view of the pet feeder stand shown alone, for clarity of illustration;

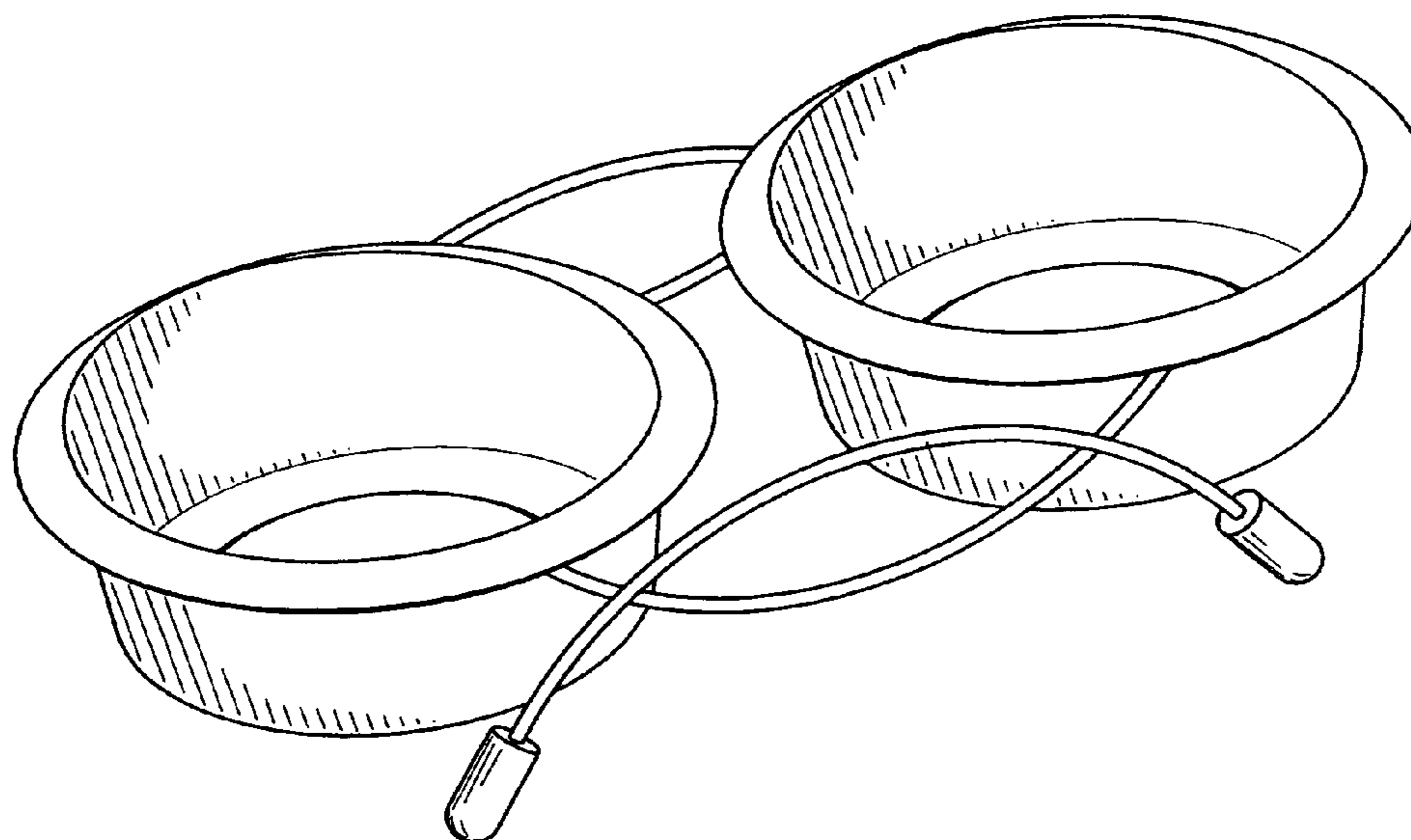
FIG. 7 is a front elevational view, the opposite side being a mirror image thereof;

FIG. 8 is a left side elevational view, the opposite side being a mirror image thereof;

FIG. 9 is a top plan view thereof; and,

FIG. 10 is a bottom plan view thereof.

**1 Claim, 5 Drawing Sheets**



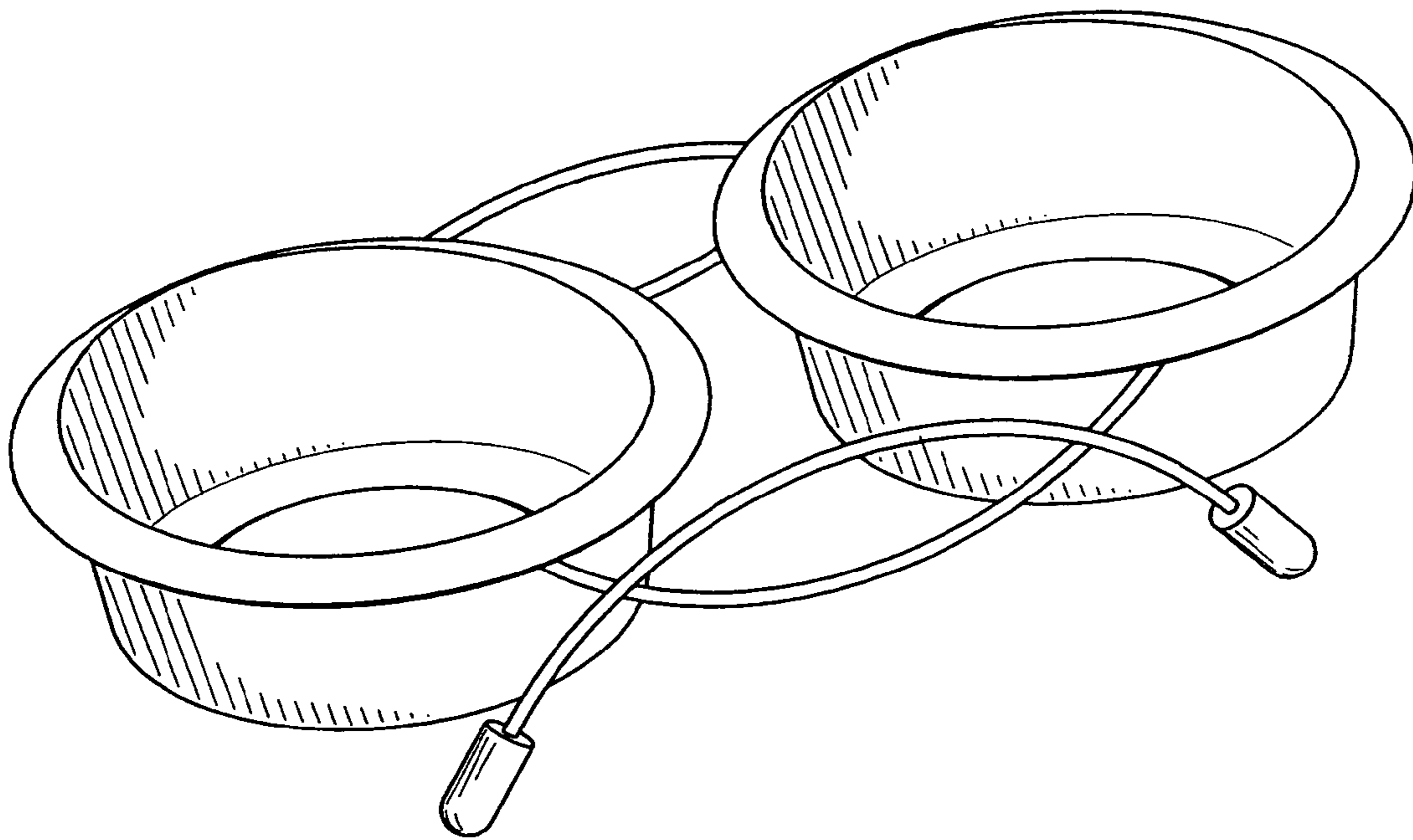


Fig. 1

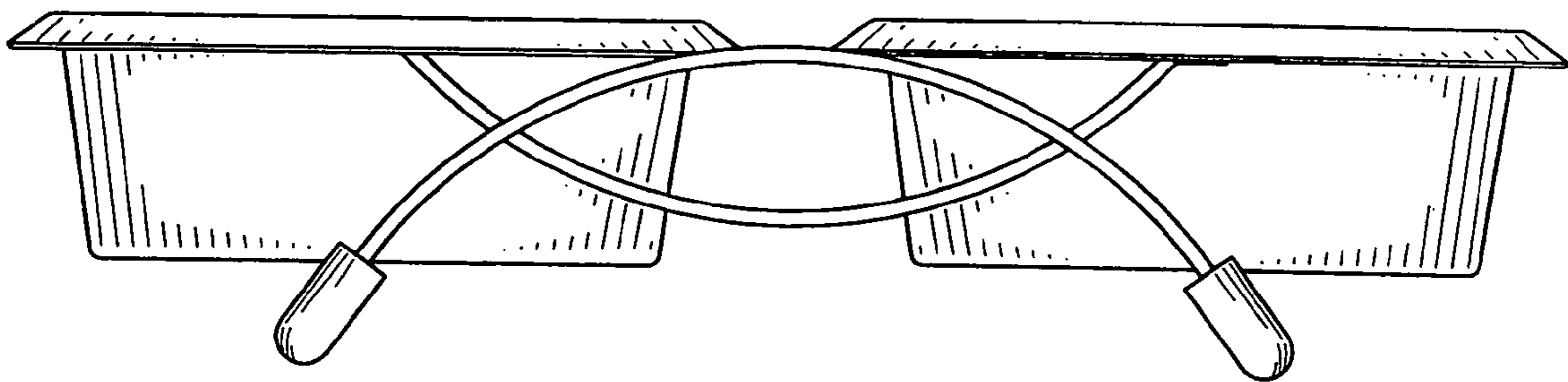


Fig. 2

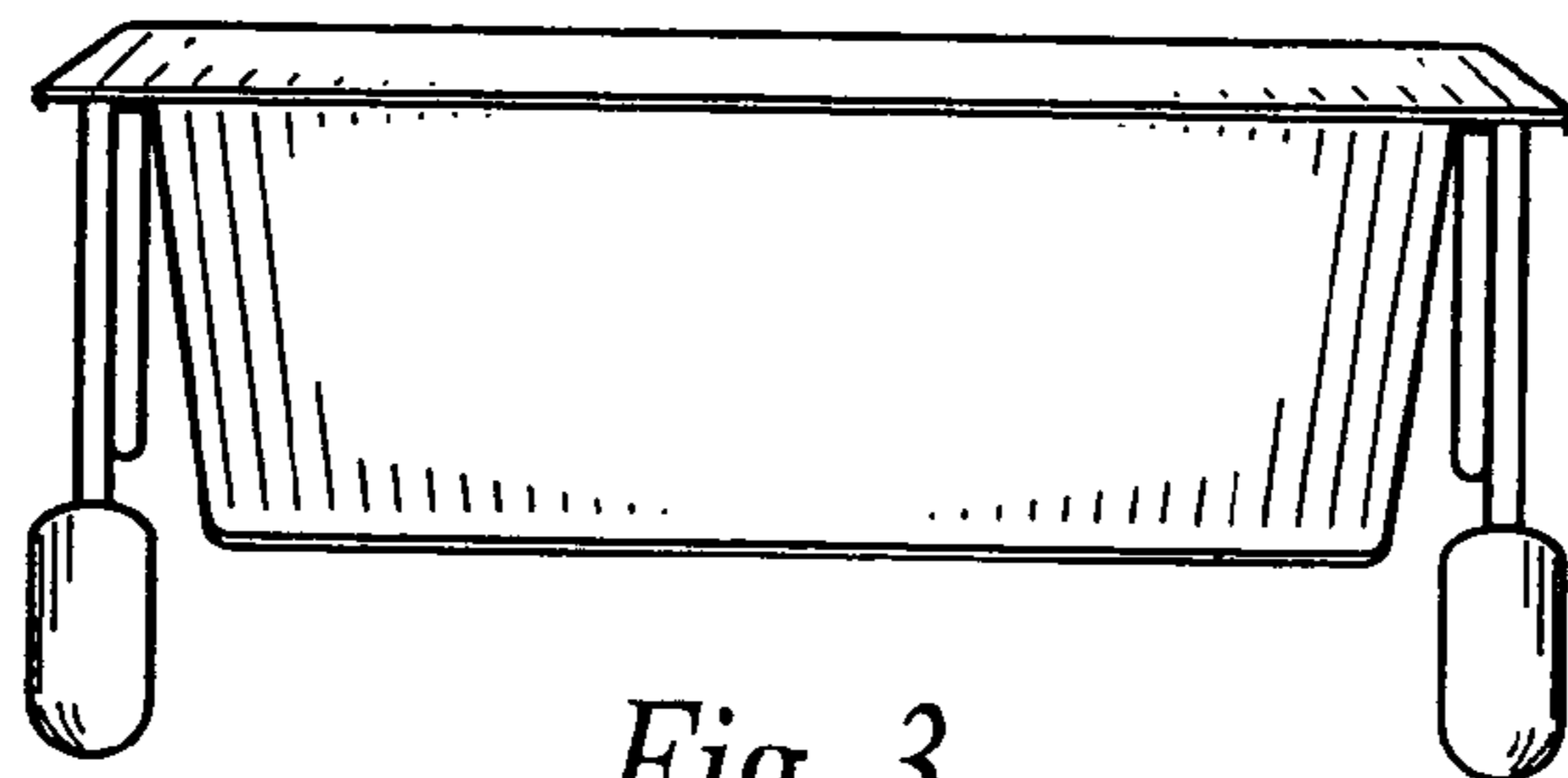


Fig. 3

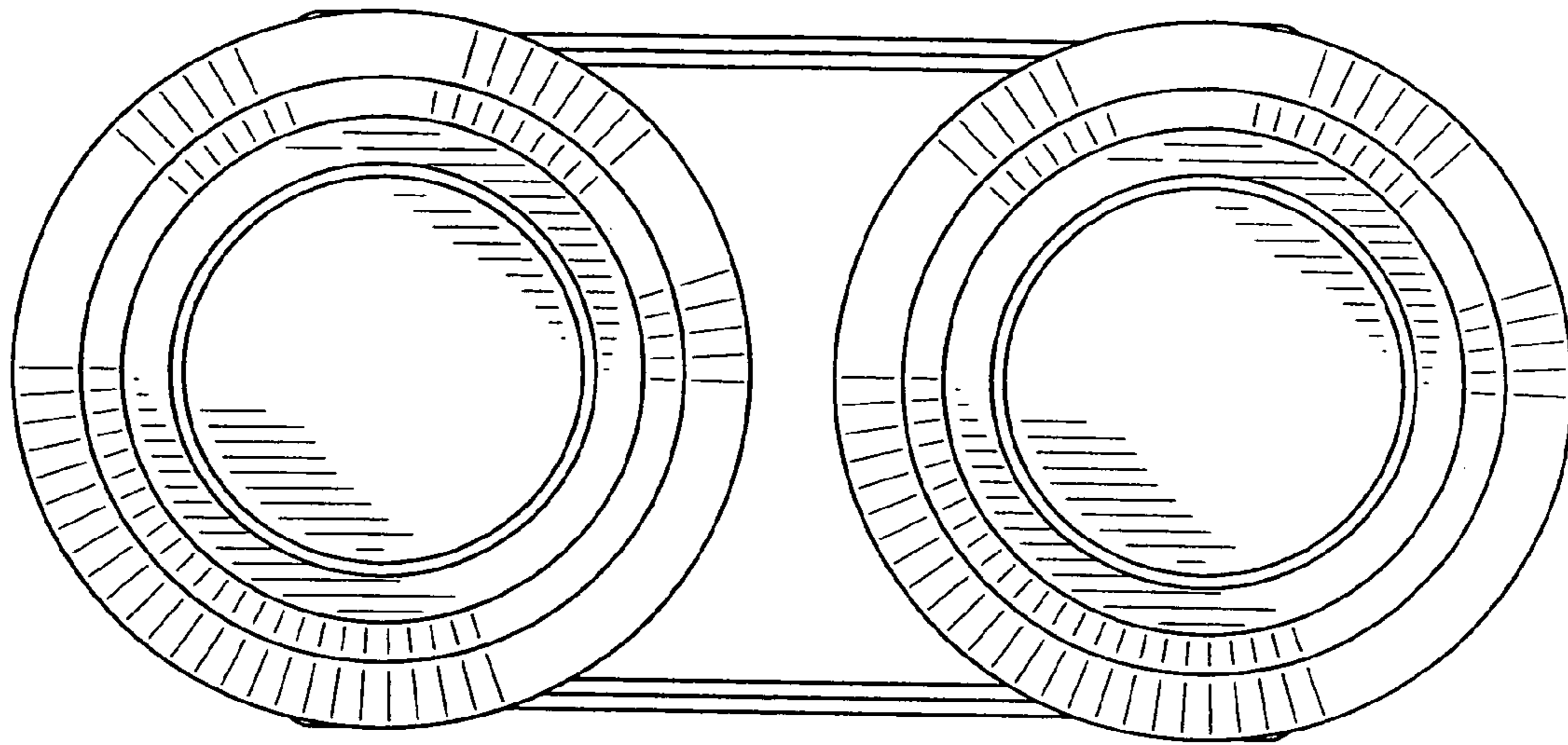


Fig. 4

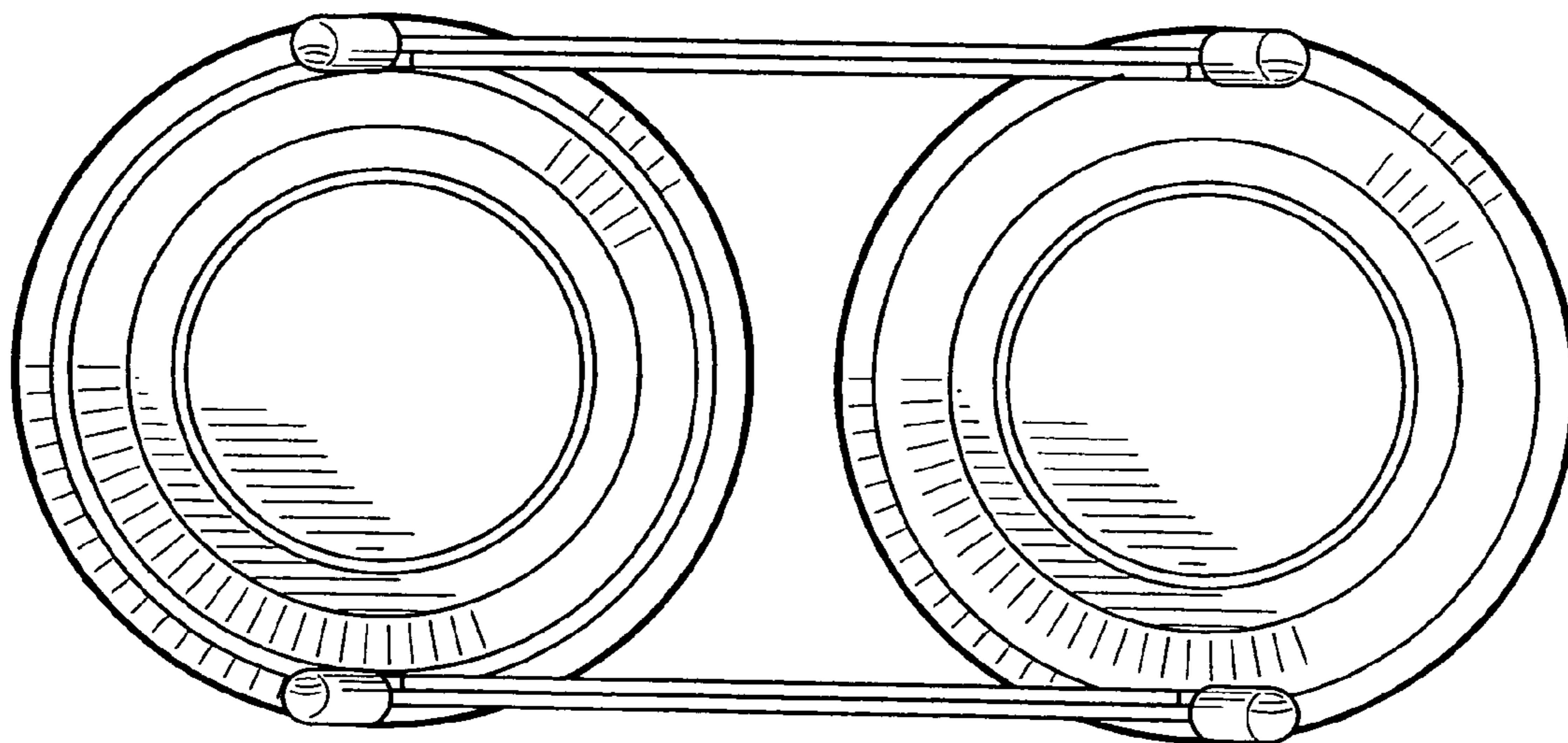


Fig. 5

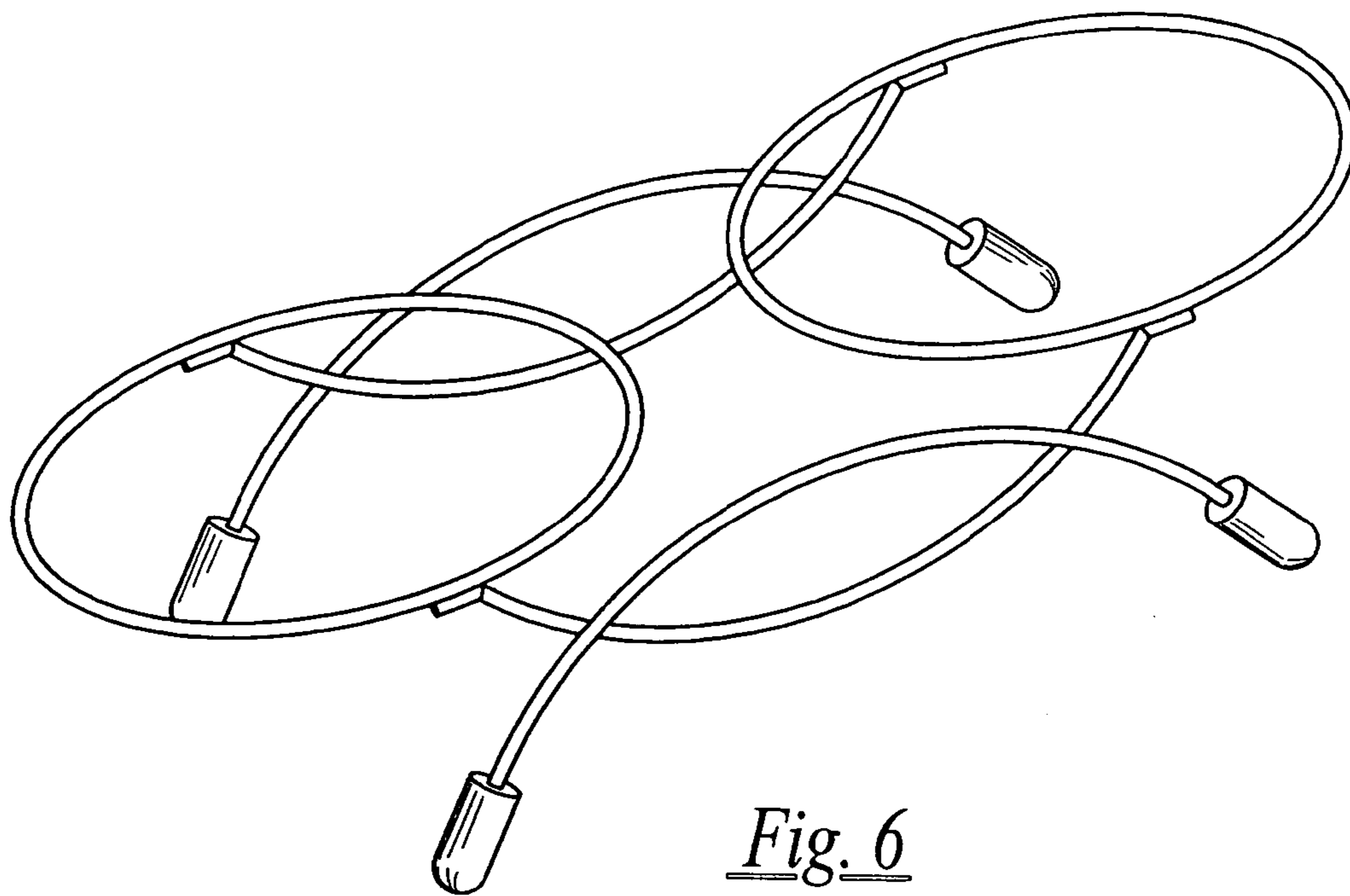


Fig. 6

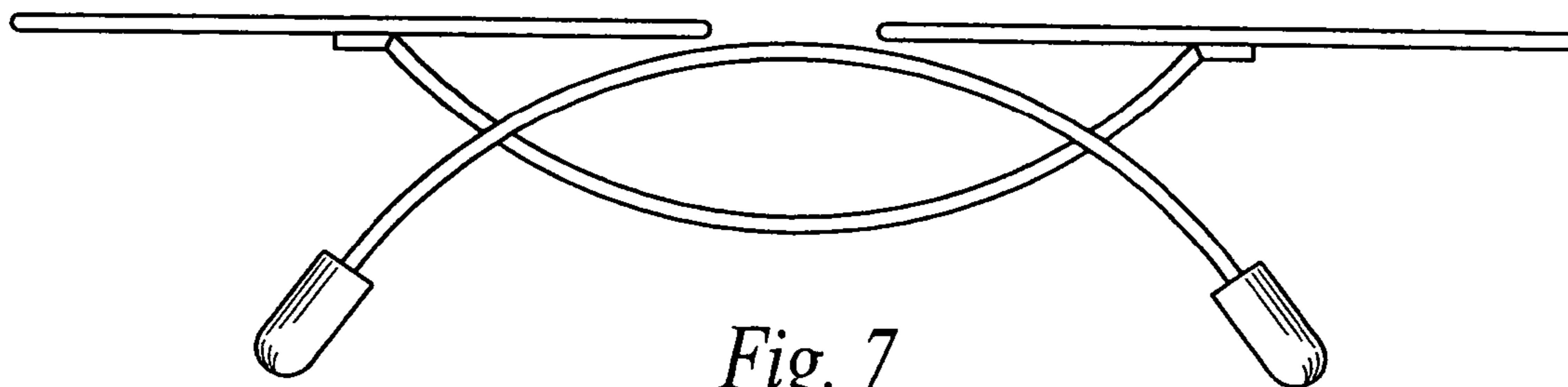


Fig. 7

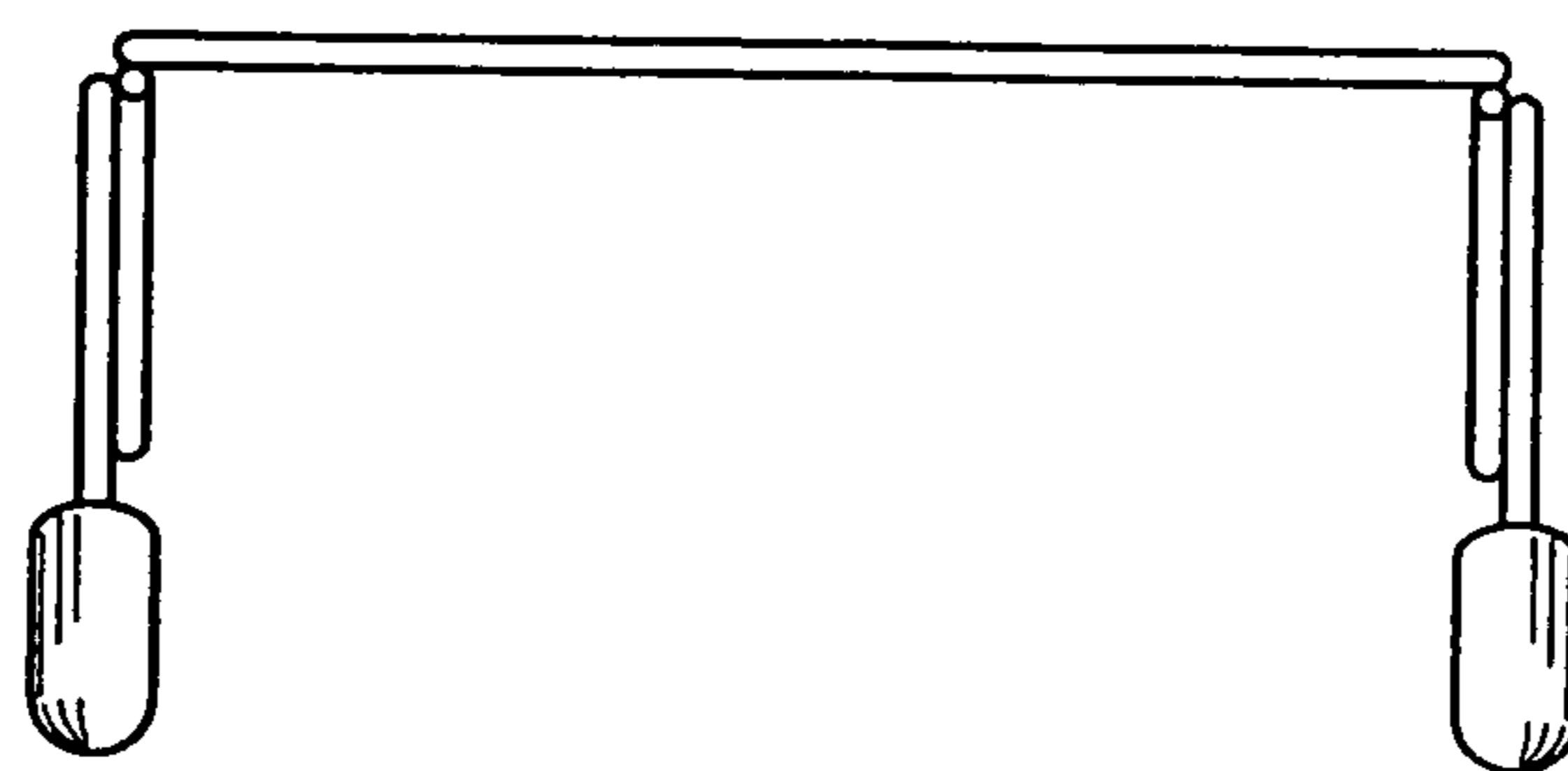


Fig. 8

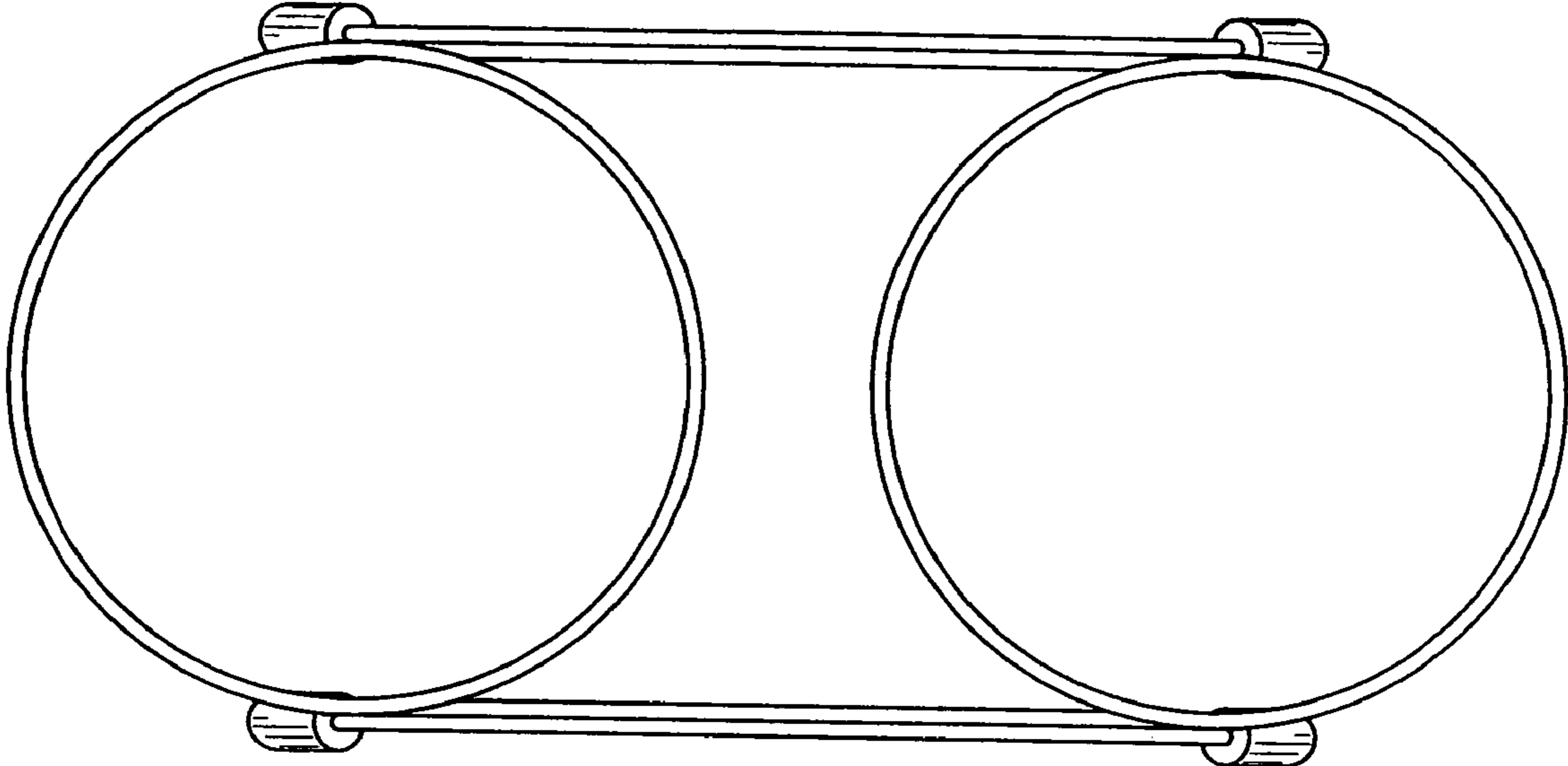


Fig. 9

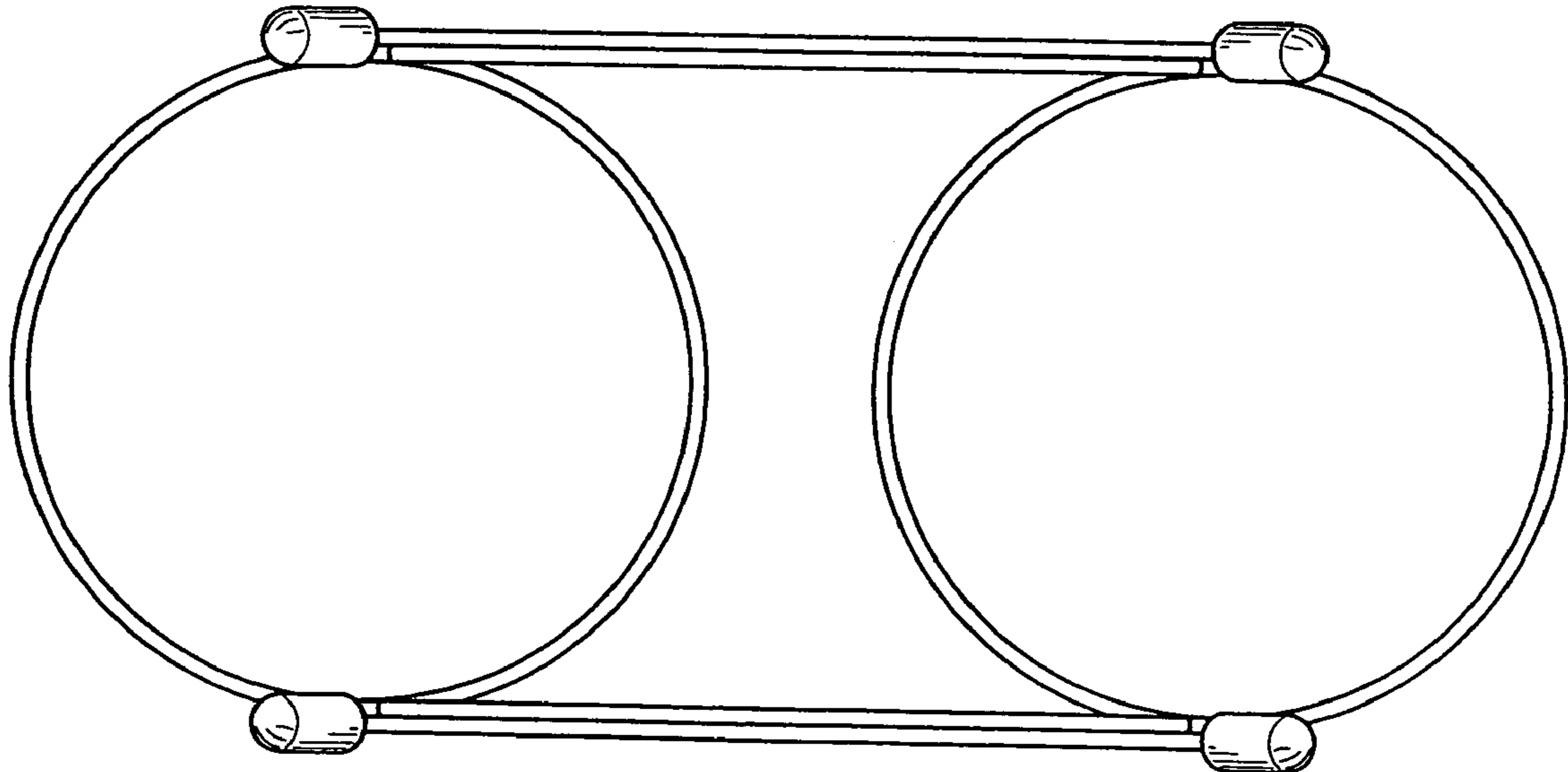


Fig. 10