



US00D565798S

(12) **United States Design Patent**
Ivanova

(10) **Patent No.:** **US D565,798 S**

(45) **Date of Patent:** **** Apr. 1, 2008**

(54) **CONTAINER WITHOUT CAP**

(75) Inventor: **Ania Ivanova**, Brooklyn, NY (US)

(73) Assignee: **L'Oreal USA Creative, Inc.**, New York, NY (US)

(**) Term: **14 Years**

(21) Appl. No.: **29/250,501**

(22) Filed: **Nov. 17, 2006**

(51) **LOC (8) Cl.** **28-31**

(52) **U.S. Cl.** **D28/89**

(58) **Field of Classification Search** D28/7,
D28/76, 77, 85-90; 401/202, 126-130; D9/500,
D9/503-504, 529; 206/581, 823, 385; 132/320,
132/218, 316-318

See application file for complete search history.

(56) **References Cited**

U.S. PATENT DOCUMENTS

D296,985 S	8/1988	Iwaki
4,921,366 A	5/1990	Hurrell
5,862,818 A	1/1999	Marinelli
D431,190 S	9/2000	Adachi et al.
D440,876 S	4/2001	Togasawa
D441,293 S	5/2001	Togasawa
D444,387 S	7/2001	Adachi et al.
D446,456 S	8/2001	Adachi et al.
D460,349 S	7/2002	Rashid
D465,410 S	11/2002	Kikuchi
6,474,345 B2	11/2002	Rodriquez et al.
6,505,631 B2	1/2003	Fischer et al.
D477,536 S	7/2003	Kudo et al.
6,585,112 B2	7/2003	Levin et al.
6,607,323 B2	8/2003	Breidenbach et al.

D480,000 S	9/2003	Hirato	
D488,383 S	4/2004	Kudo et al.	
6,799,582 B2	10/2004	Kim	
D507,680 S *	7/2005	Py et al. D28/88
D509,434 S	9/2005	Haruta	
D509,739 S	9/2005	Haruta	
D516,251 S *	2/2006	Py et al. D28/89
D518,239 S	3/2006	Martinez	
2003/0226573 A1 *	12/2003	Chan 132/318
2007/0098479 A1 *	5/2007	Kim 401/129
2007/0201939 A1 *	8/2007	Wong 401/202
2007/0227553 A1 *	10/2007	Gueret 132/320
2007/0251542 A1 *	11/2007	Tajima 132/320

* cited by examiner

Primary Examiner—Jennifer Rivard

(74) *Attorney, Agent, or Firm*—Baker Botts L.L.P.

(57) **CLAIM**

The ornamental design for a container without cap, as shown and described.

DESCRIPTION

FIG. 1 is a three-dimensional perspective view of the container without cap;

FIG. 2 is a front view of the container without cap;

FIG. 3 is a top view of the container without cap;

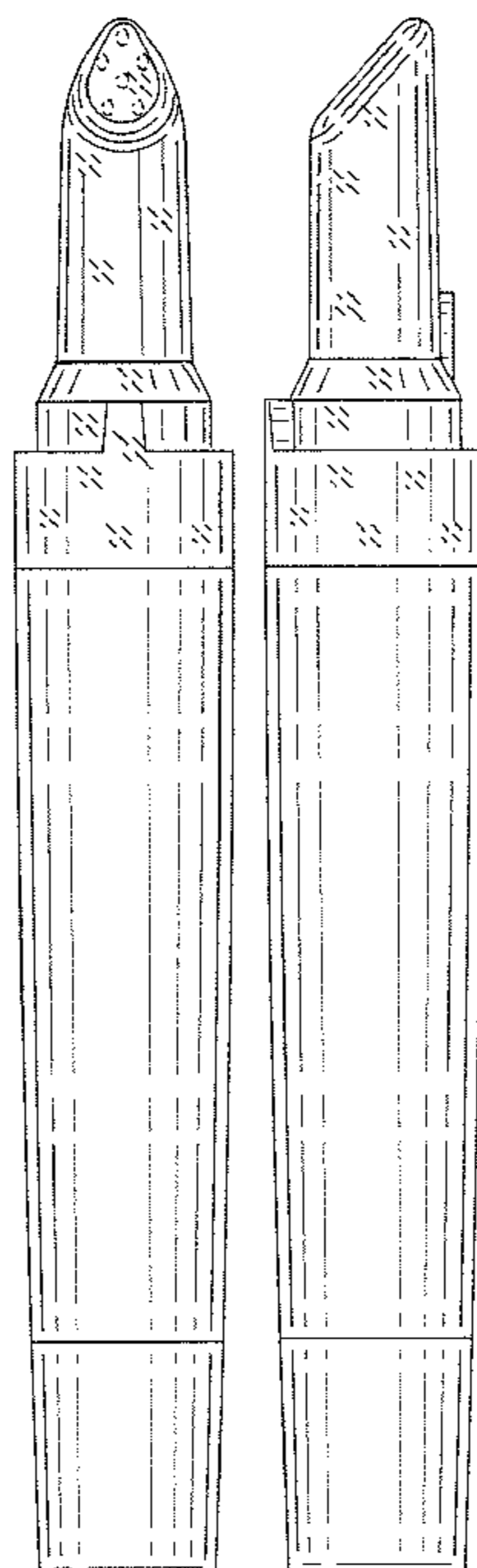
FIG. 4 is a bottom view of the container without cap;

FIG. 5 is a side view of the container without cap; and,

FIG. 6 is a back view of the container without cap.

The broken lines are shown for illustrative purposes only and form no part of the claimed design.

1 Claim, 2 Drawing Sheets



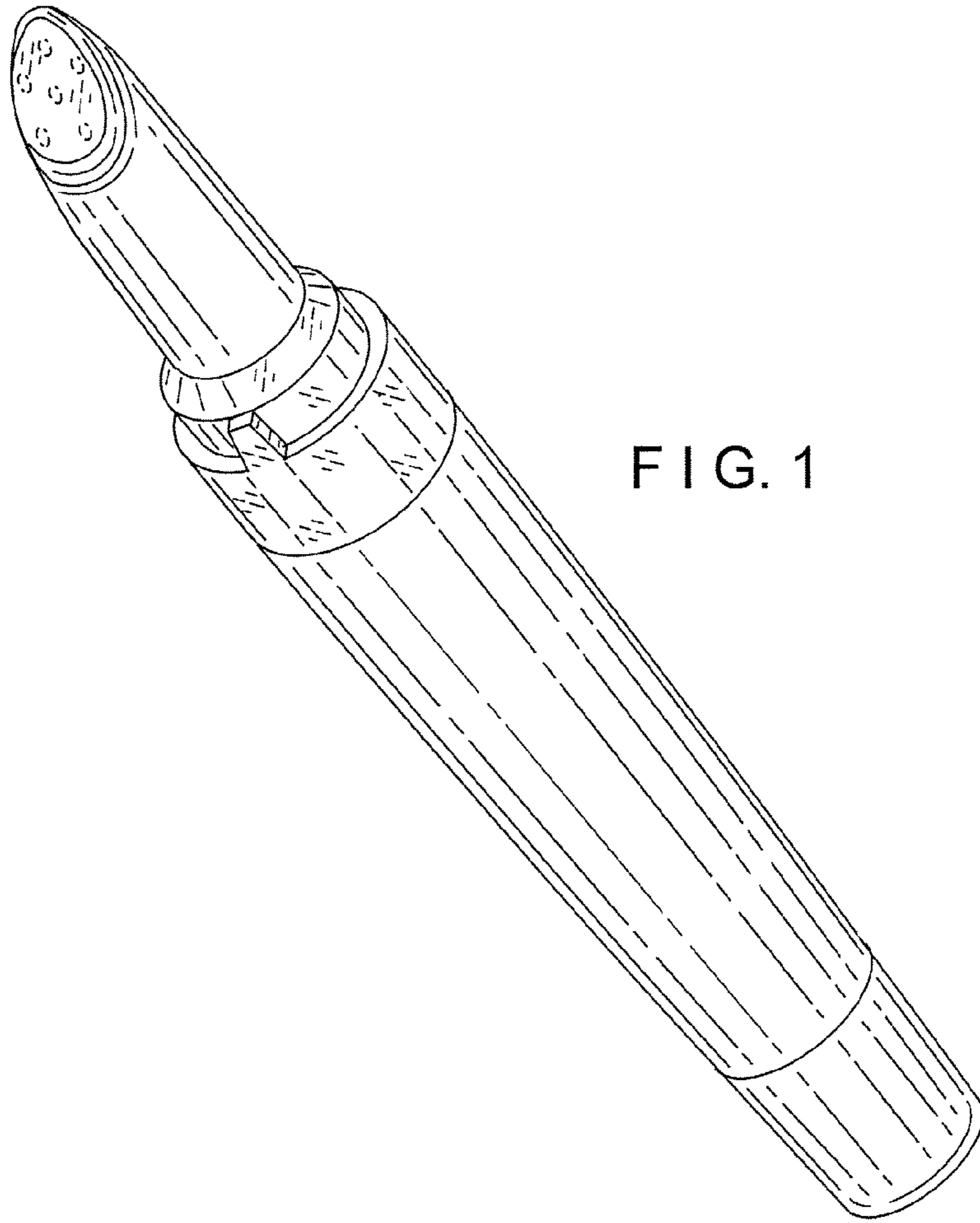


FIG. 1

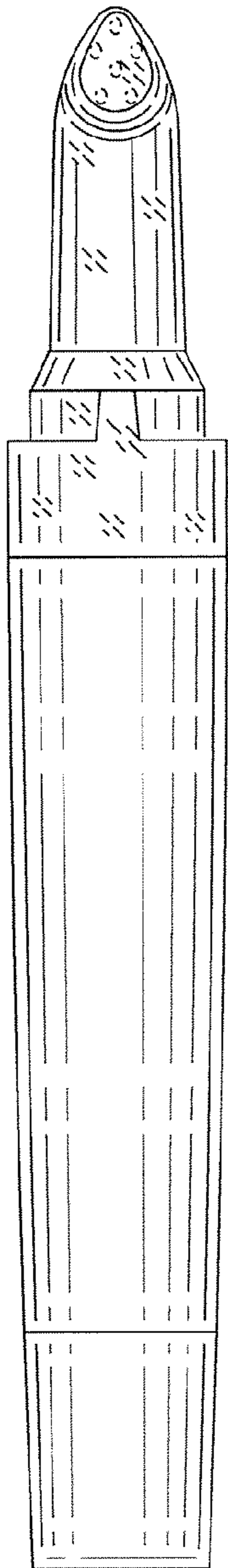


FIG. 2

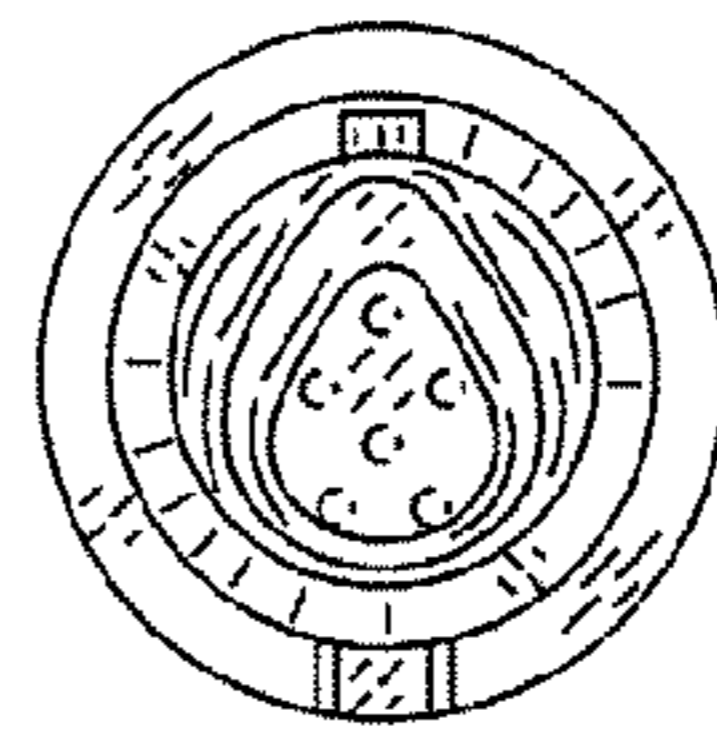


FIG. 3

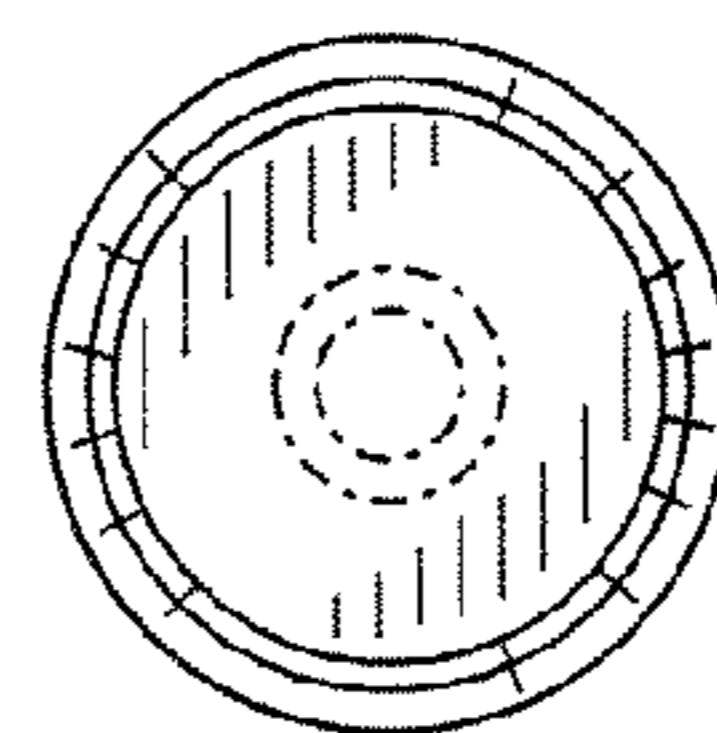


FIG. 4

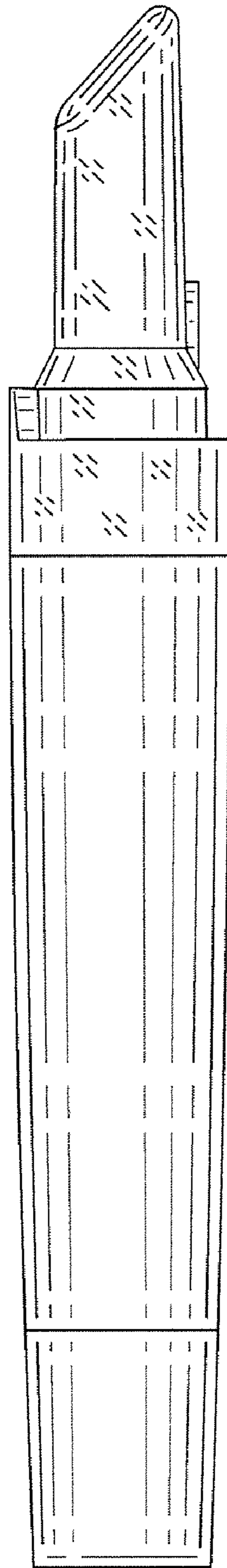


FIG. 5

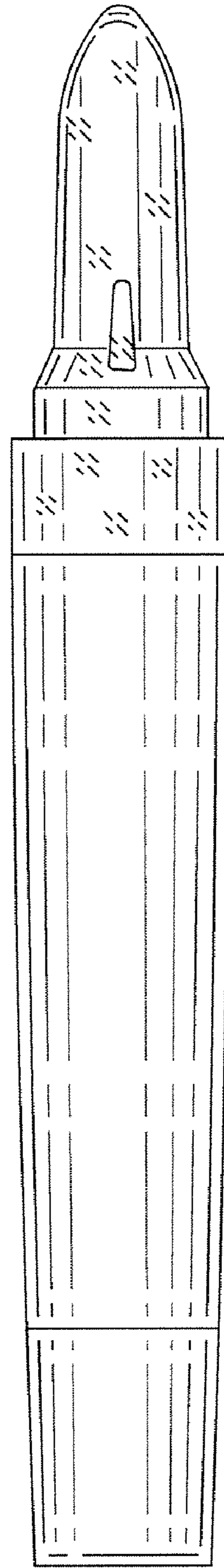


FIG. 6