

US00D565796S

(12) **United States Design Patent**
Roher et al.

(10) **Patent No.:** **US D565,796 S**

(45) **Date of Patent:** **** Apr. 1, 2008**

(54) **DOUBLE-ENDED LIPSTICK CONTAINER**

(75) Inventors: **Kathy Roher**, Hartsdale, NY (US);
David Prague, Ringoes, NJ (US);
Justin Kort, Garden City, NY (US)

(73) Assignee: **L'Oreal USA Creative, Inc.**, New York, NY (US)

(**) Term: **14 Years**

(21) Appl. No.: **29/279,117**

(22) Filed: **Apr. 19, 2007**

(51) **LOC (8) Cl.** **28-03**

(52) **U.S. Cl.** **D28/76; D28/86**

(58) **Field of Classification Search** D28/7,
D28/73, 77, 85-90; 401/202, 126-130; D9/500,
D9/503-504, 529; 206/581, 823, 385; 132/320,
132/218, 316-318

See application file for complete search history.

(56) **References Cited**

U.S. PATENT DOCUMENTS

D337,860 S * 7/1993 Ryder D28/77
D342,586 S * 12/1993 Lobo D28/86
D407,439 S * 3/1999 Kossnar et al. D19/85
6,022,159 A * 2/2000 Kossnar et al. 401/202

OTHER PUBLICATIONS

M.A.C. Pro Longer Lustre Lipcolour, product launch Jan. 1, 2005.
Covergirl outlast smoothwear conditioning moisturecoat, product launch Mar. 1, 2005.

Covergirl outlast smoothwear—smoothing colorcoat, product launch Mar. 1, 2005.

Maybelline superstay lipcolor, product launch Sep. 1, 2006.
Estee Lauder Double Wear, product launch Sep. 1, 2006.

* cited by examiner

Primary Examiner—Jennifer Rivard

(74) *Attorney, Agent, or Firm*—Baker Botts L.L.P.

(57) **CLAIM**

The ornamental design for a double-ended lipstick container, as shown and described.

DESCRIPTION

FIG. 1 is a three-dimensional perspective view of the double-ended lipstick container;

FIG. 2 is a front view of the double-ended lipstick container;

FIG. 3 is a top view of the double-ended lipstick container;

FIG. 4 is a bottom view of the double-ended lipstick container;

FIG. 5 is a side view of the double-ended lipstick container;

FIG. 6 is a back view of the double-ended lipstick container;

FIG. 7 is a side view of the lipstick tube in an up position;

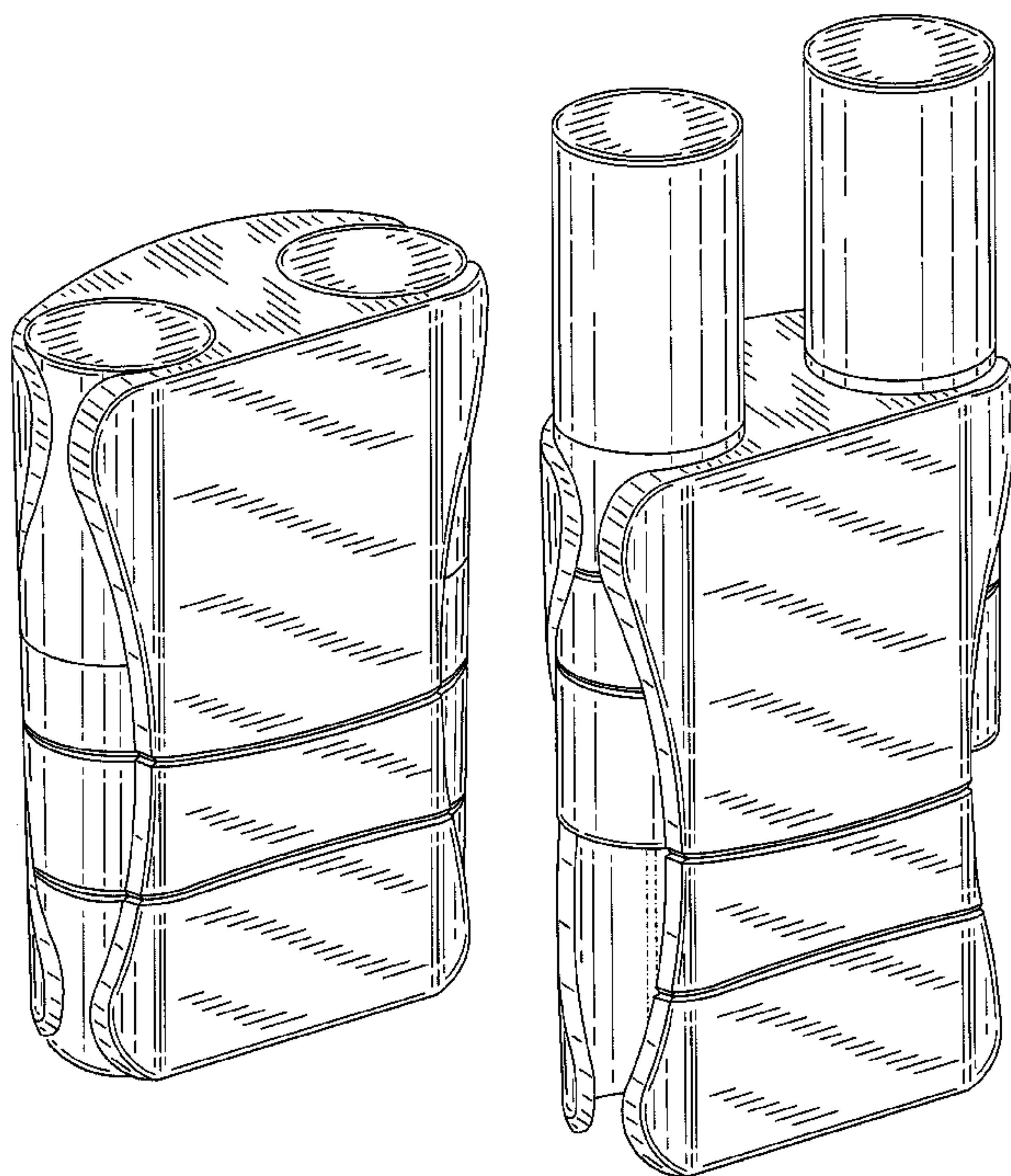
FIG. 8 is a perspective view of the right lipstick tube in an up position;

FIG. 9 is a perspective view of the left lipstick tube in an up position; and,

FIG. 10 is a perspective view of both lipstick tubes in an up position.

The broken lines are shown for illustrative purposes only and form no part of the claimed design.

1 Claim, 6 Drawing Sheets



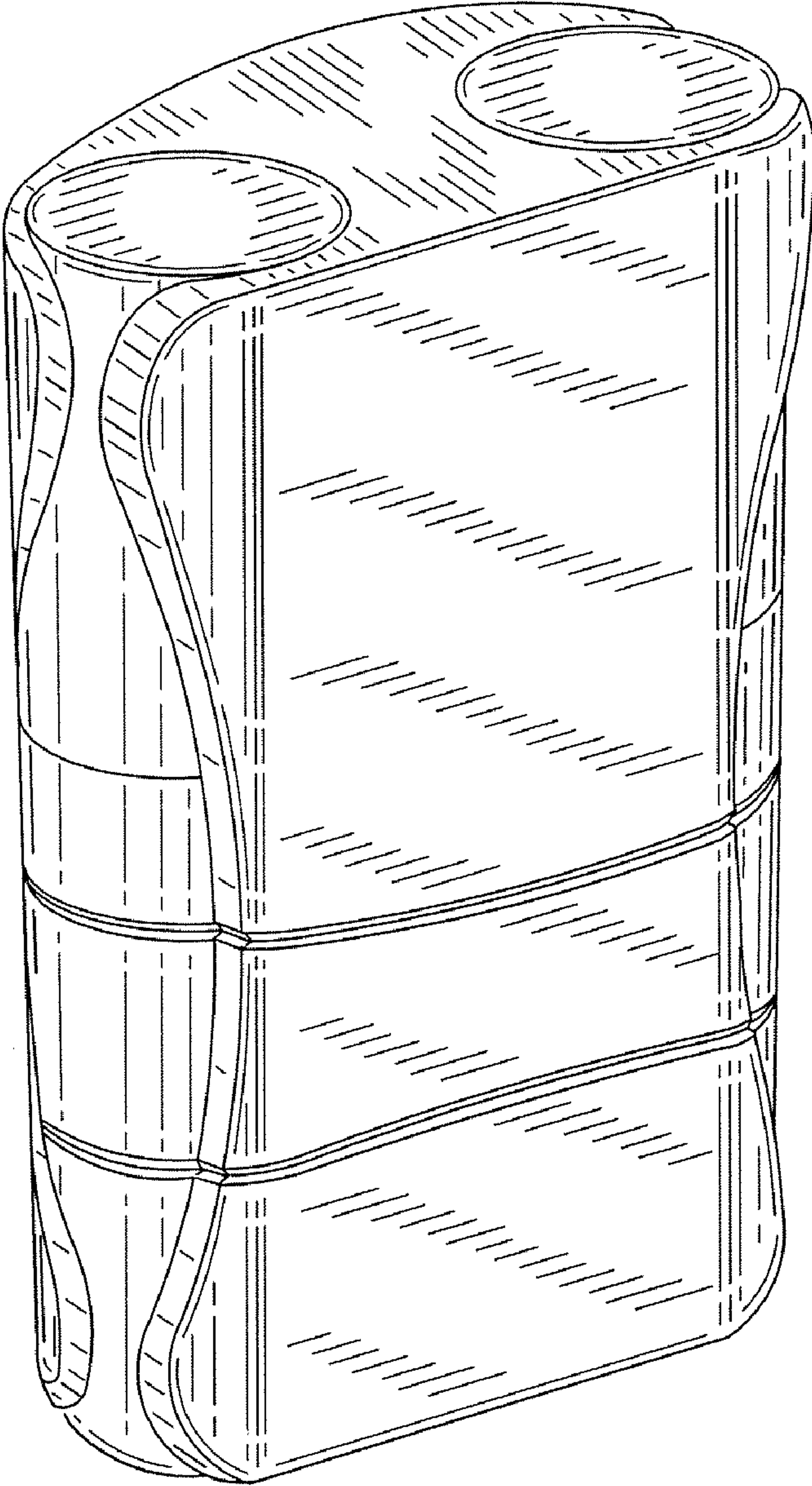


FIG. 1

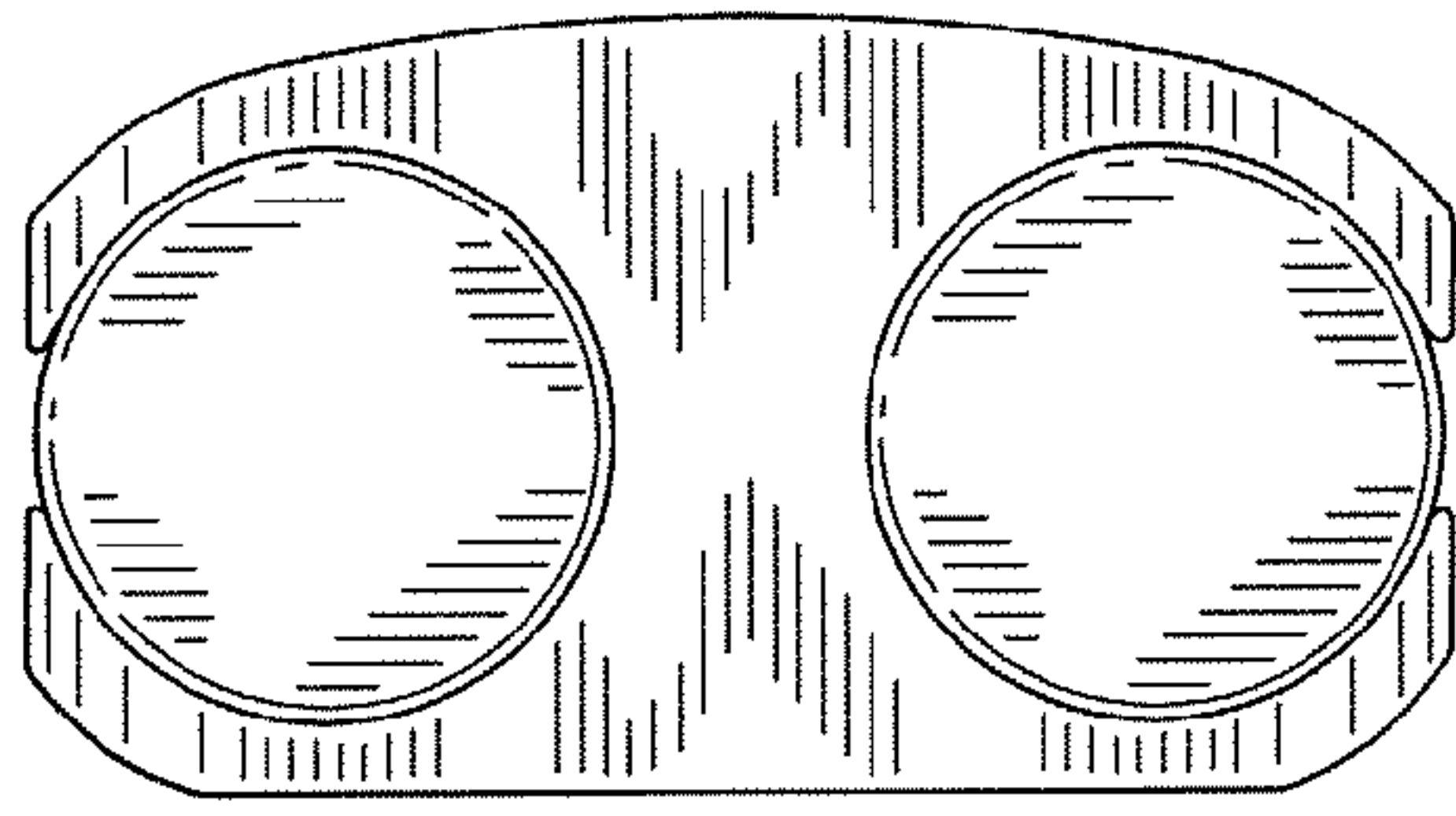


FIG. 3

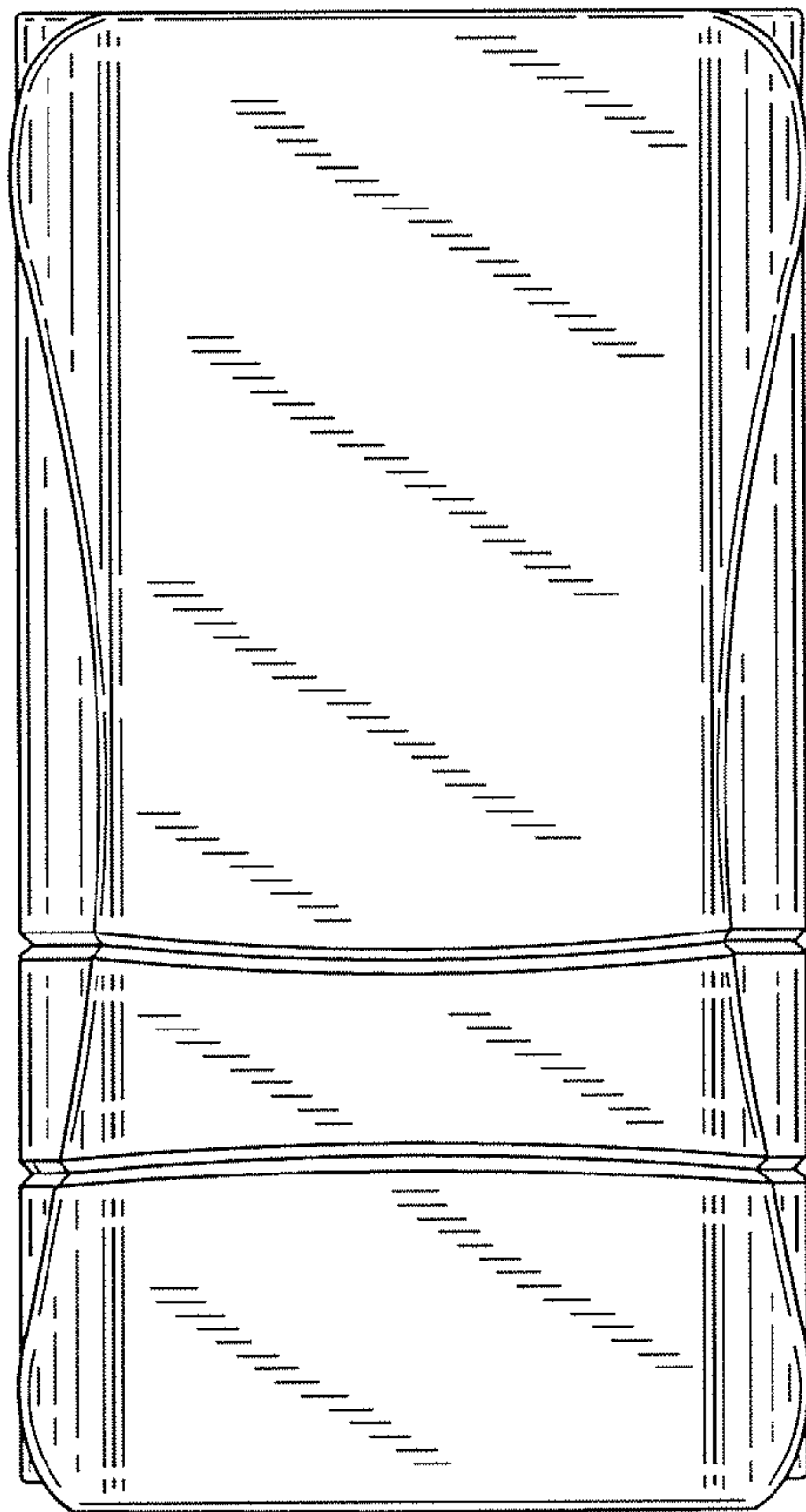


FIG. 2

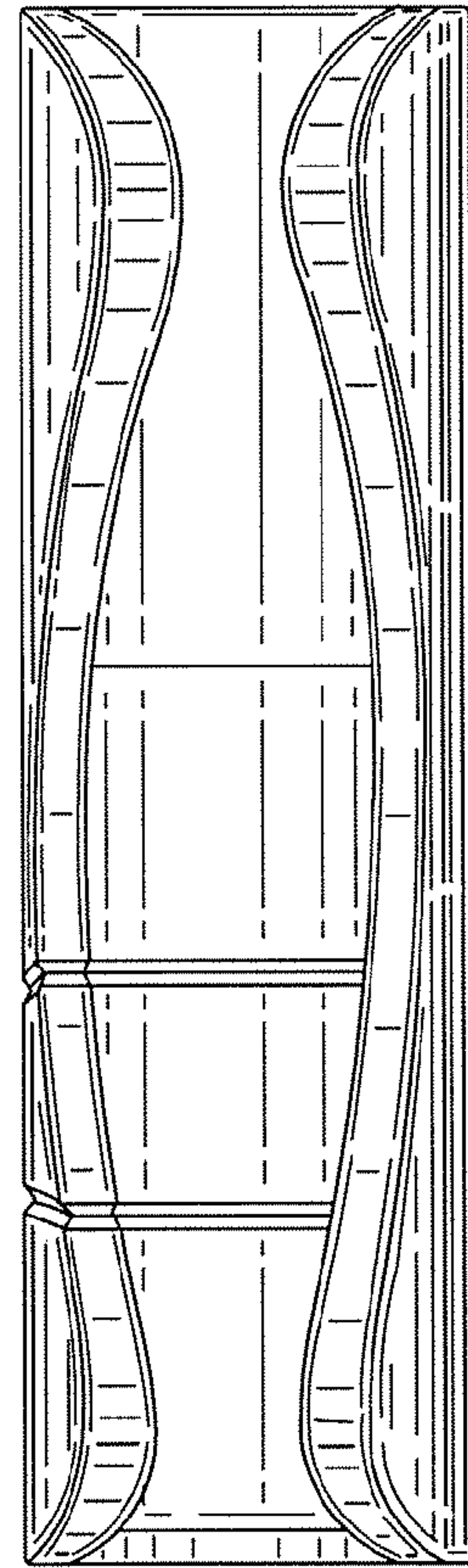


FIG. 5

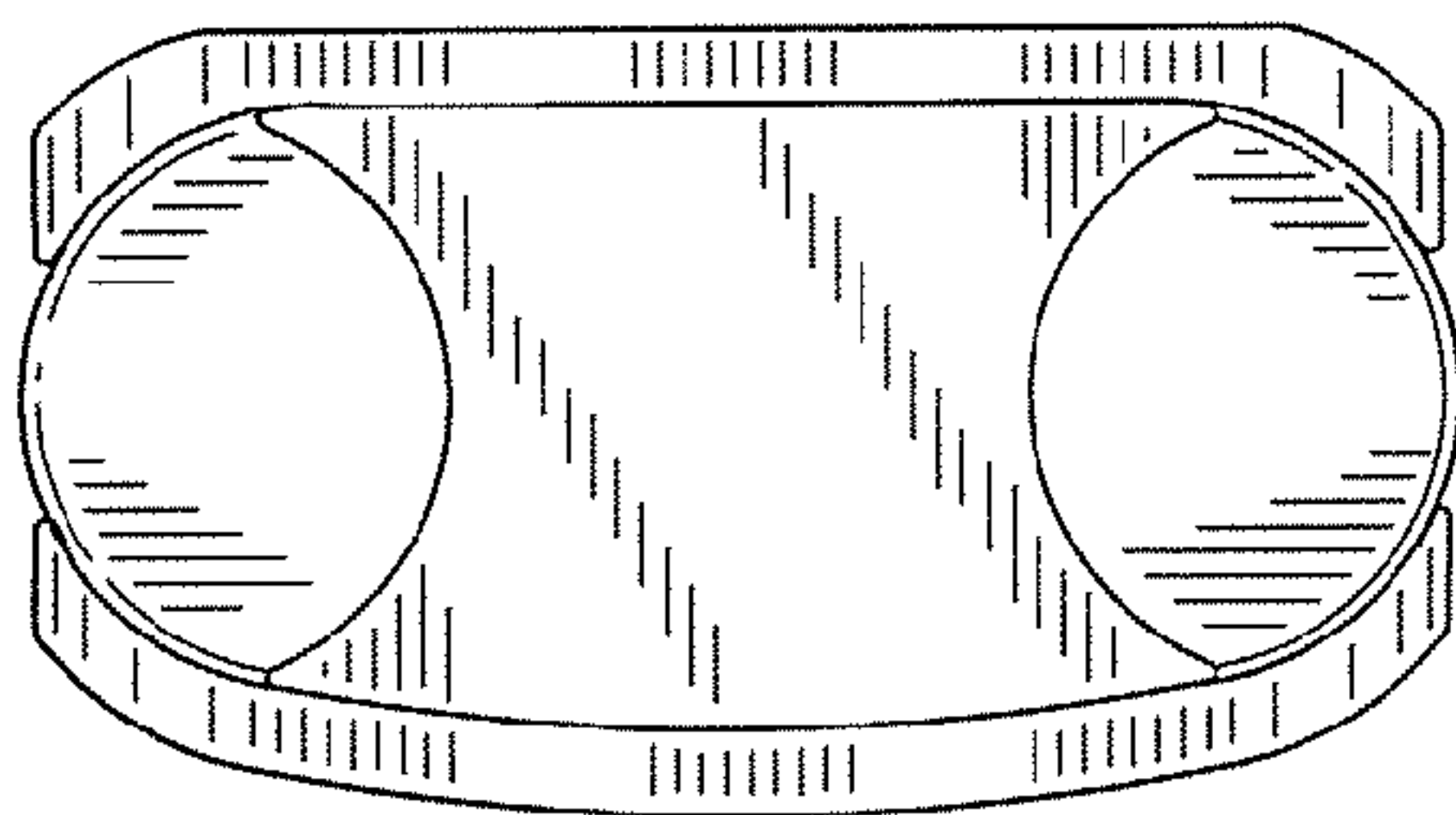


FIG. 4

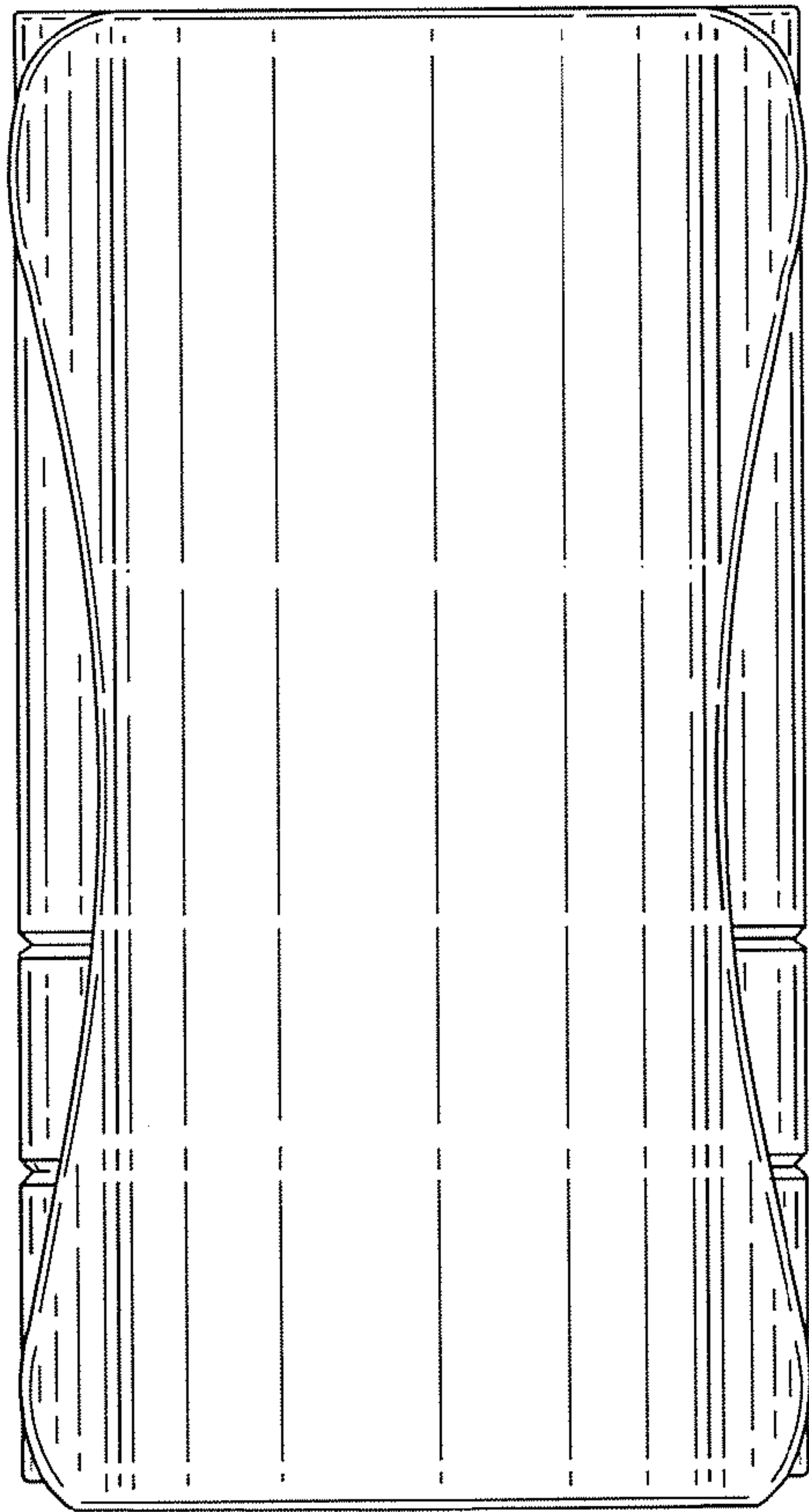


FIG. 6

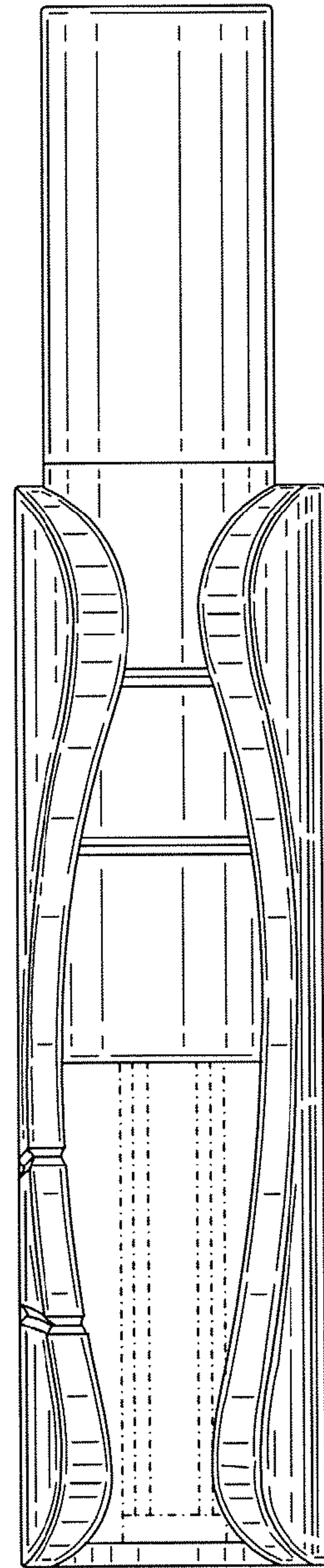


FIG. 7

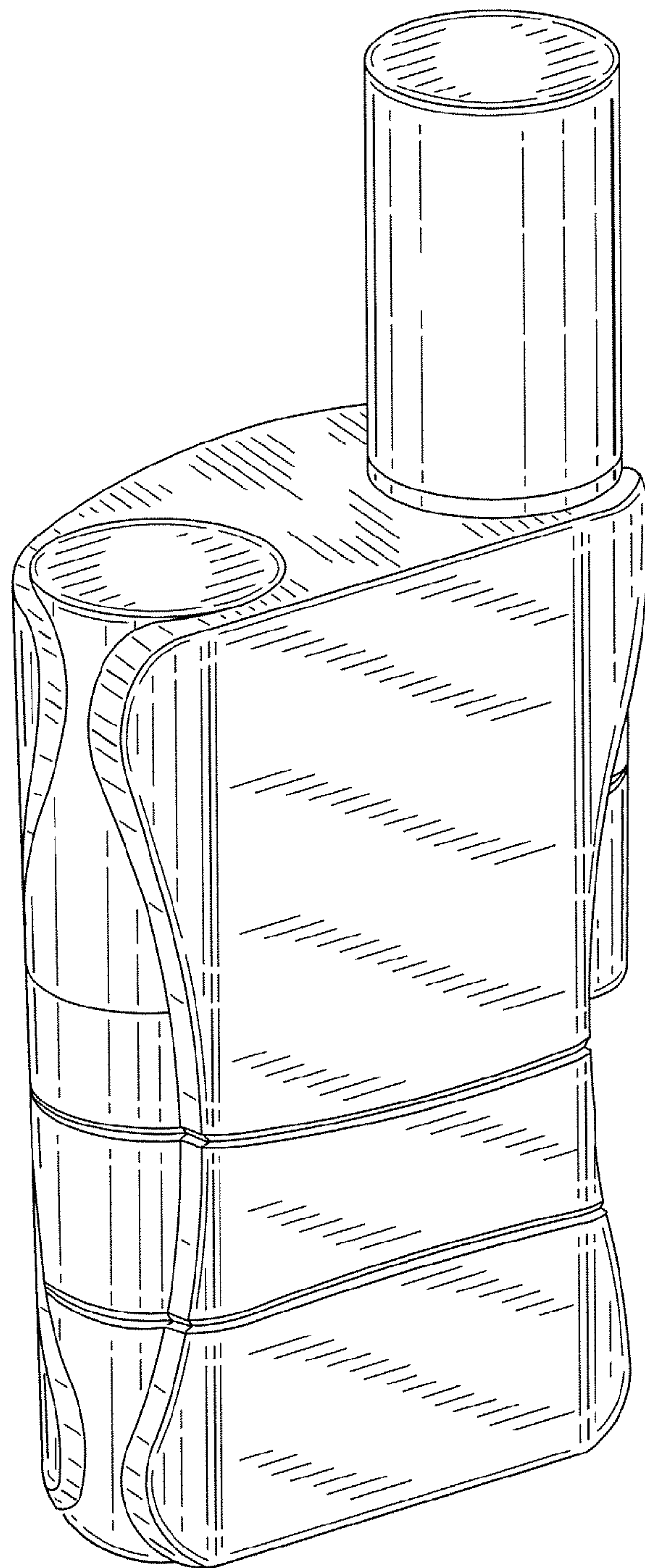


FIG. 8

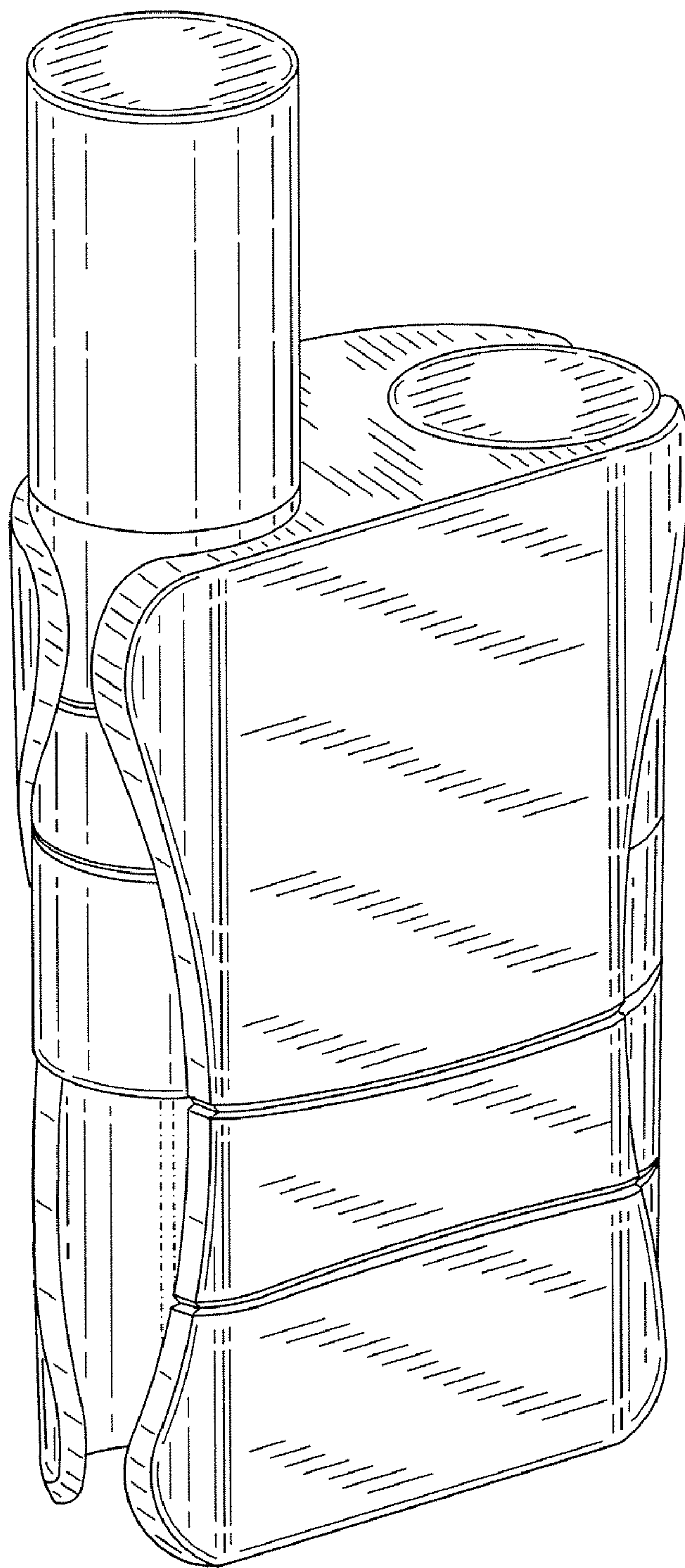


FIG. 9

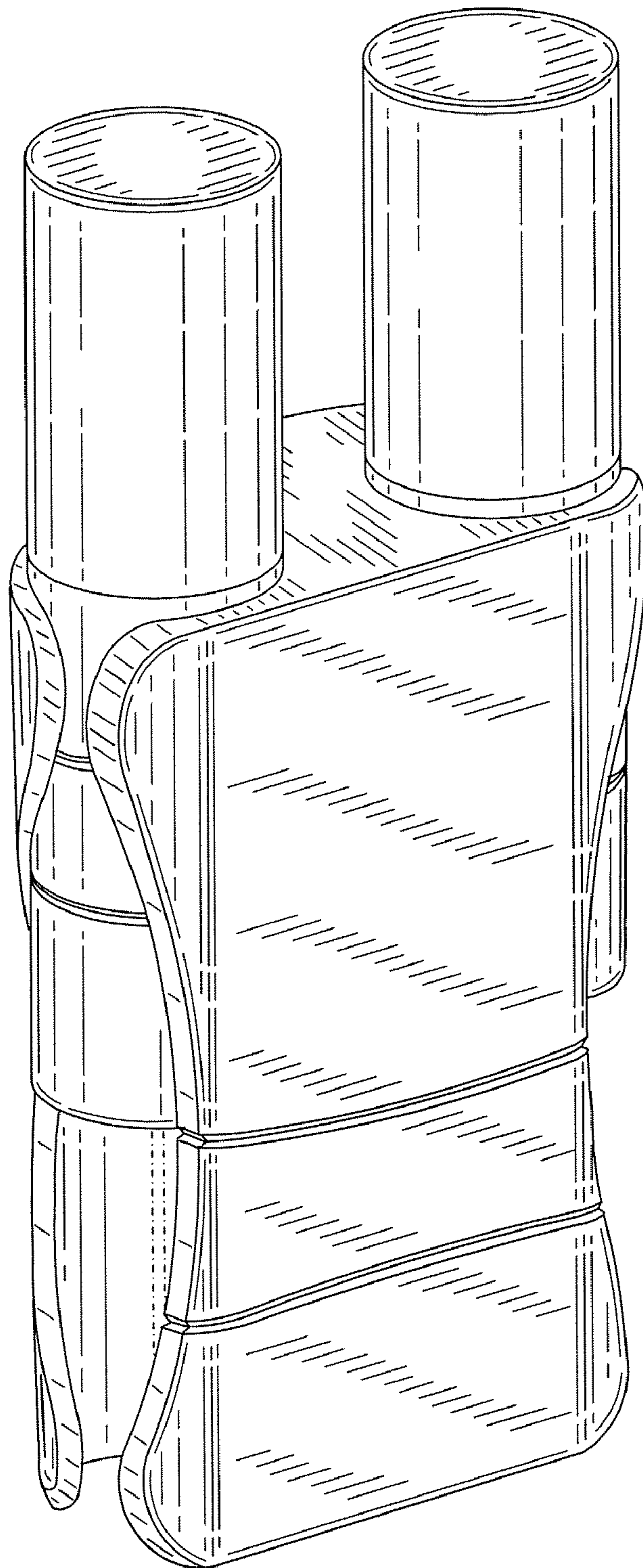


FIG. 10