



US00D565790S

(12) **United States Design Patent**  
**Eisman**

(10) **Patent No.:** **US D565,790 S**

(45) **Date of Patent:** **\*\* Apr. 1, 2008**

(54) **HOLDER FOR LIGHTER AND CIGARETTES**

(74) *Attorney, Agent, or Firm*—Townsend and Townsend and Crew, LLP

(76) Inventor: **Beverley Eisman**, 22 Bondi Road,  
Bondi Junction, New South Wales (AU)  
2022

(57) **CLAIM**

(\*\*) Term: **14 Years**

The ornamental design for “a holder for lighter and cigarettes,” as shown.

(21) Appl. No.: **29/254,750**

**DESCRIPTION**

(22) Filed: **Feb. 27, 2006**

FIG. 1 is a perspective view of a holder for lighter and cigarettes;

(30) **Foreign Application Priority Data**

Aug. 31, 2005 (AU) ..... 13744/2005  
Feb. 24, 2006 (AU) ..... 10709/2006

FIG. 2 is a side view of FIG. 1 (the other side being a mirror image thereof);

(51) **LOC (8) Cl.** ..... **27-05**

(52) **U.S. Cl.** ..... **D27/161; D27/172; D27/183**

(58) **Field of Classification Search** ..... 206/236,  
206/242, 85–89; D27/161, 172, 183, 187,  
D27/193

FIG. 3 is an exploded perspective view of FIG. 1 with cigarette butt insert displaced and lid open;

See application file for complete search history.

FIG. 4 is a front view of FIG. 3;

FIG. 5 is a rear view of FIG. 3;

FIG. 6 is a side view of FIG. 3;

FIG. 7 is an opposite side view of FIG. 3;

FIG. 8 is a top view of FIG. 3;

FIG. 9 is a bottom view of FIG. 3;

FIG. 10 is an exploded perspective view of FIG. 1 with cigarette butt insert displaced and lid closed;

FIG. 11 is a front view of FIG. 10;

FIG. 12 is a side view of FIG. 10;

FIG. 13 is an opposite side view of FIG. 10;

FIG. 14 is a top view of FIG. 10; and,

FIG. 15 is a bottom view of FIG. 10.

(56) **References Cited**

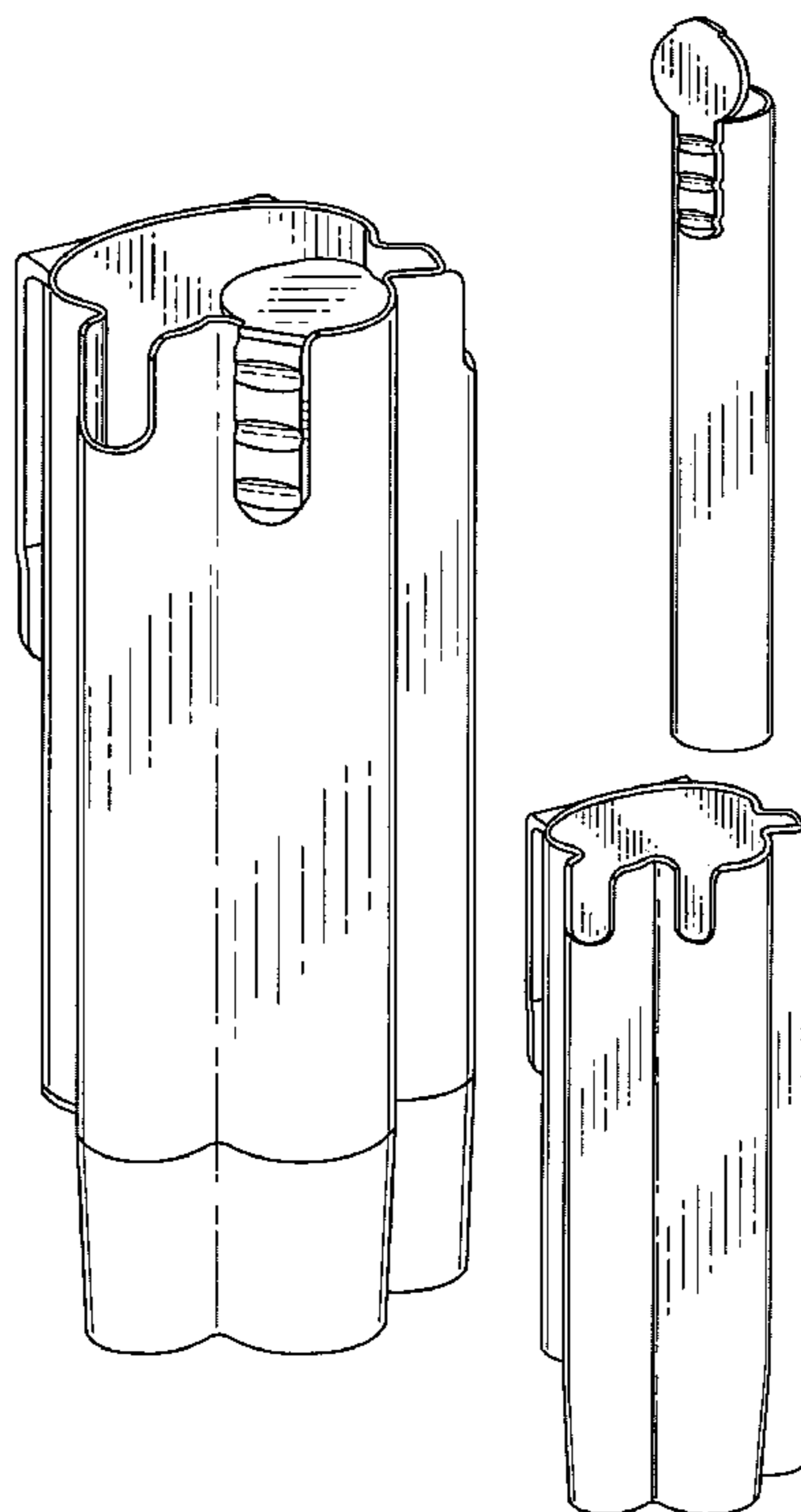
**U.S. PATENT DOCUMENTS**

4,727,890 A \* 3/1988 Vincent ..... D27/172  
D393,923 S \* 4/1998 Dimonekas ..... D27/183  
5,934,894 A \* 8/1999 Cigler ..... 206/86  
D420,169 S \* 2/2000 Cigler ..... D27/186  
6,463,936 B1 \* 10/2002 Hicks ..... 131/256  
6,693,850 B2 \* 2/2004 Mulaw ..... 206/86

\* cited by examiner

*Primary Examiner*—Jennifer Rivard

**1 Claim, 15 Drawing Sheets**



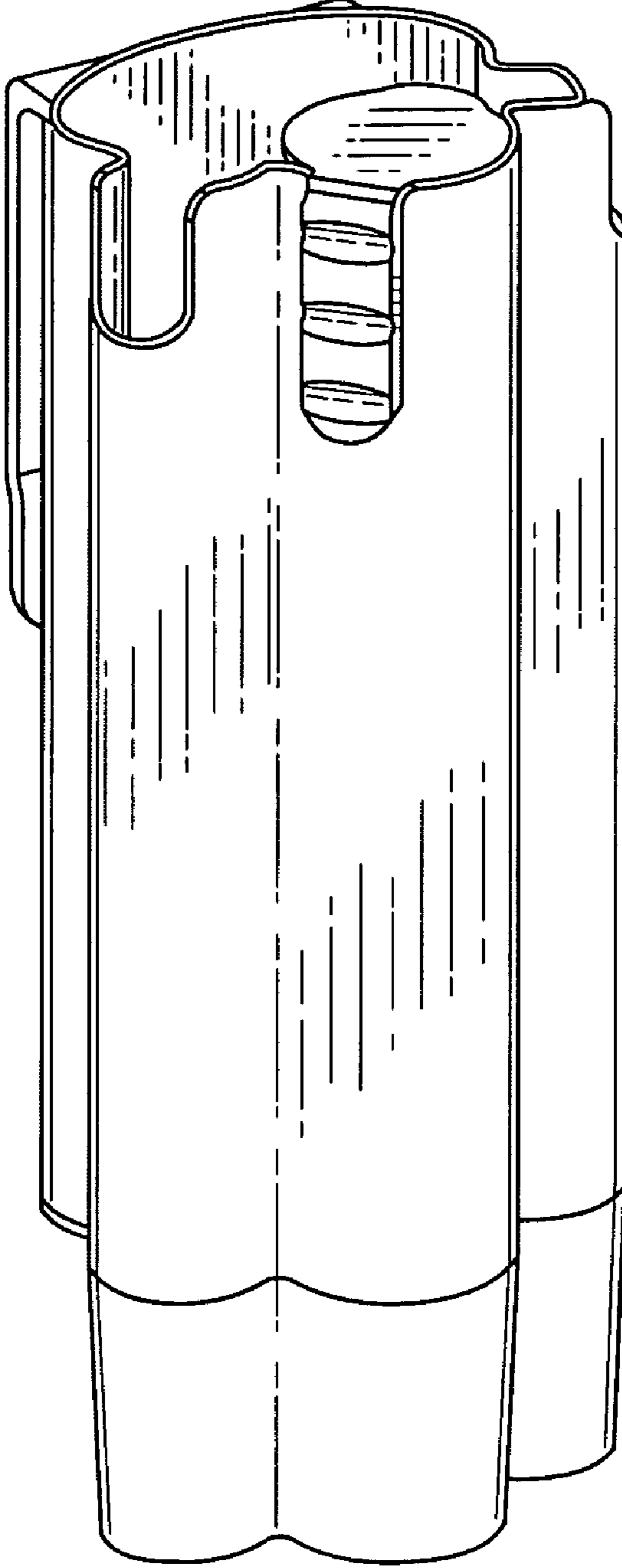


FIG. 1

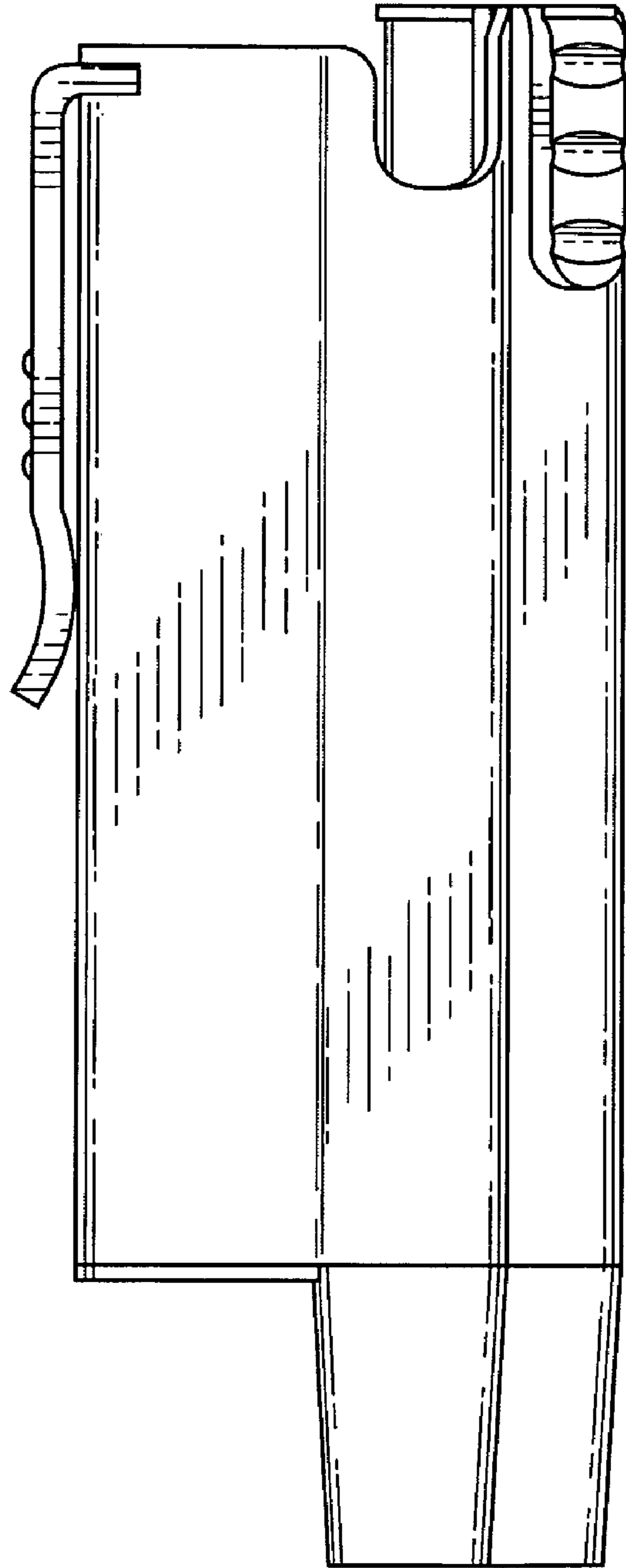


FIG. 2

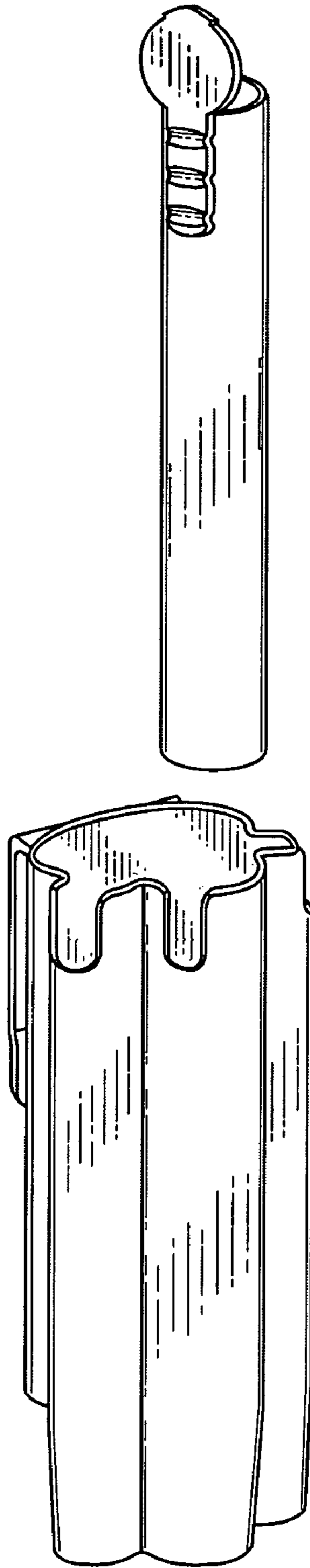


FIG. 3

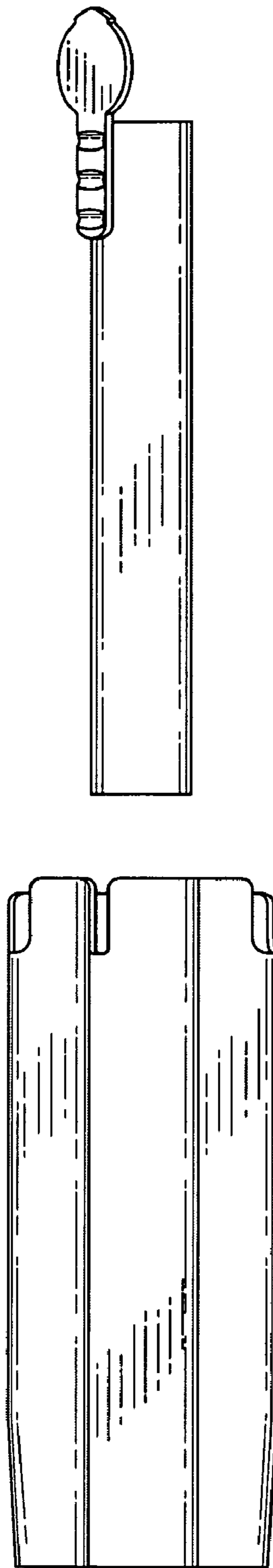


FIG. 4

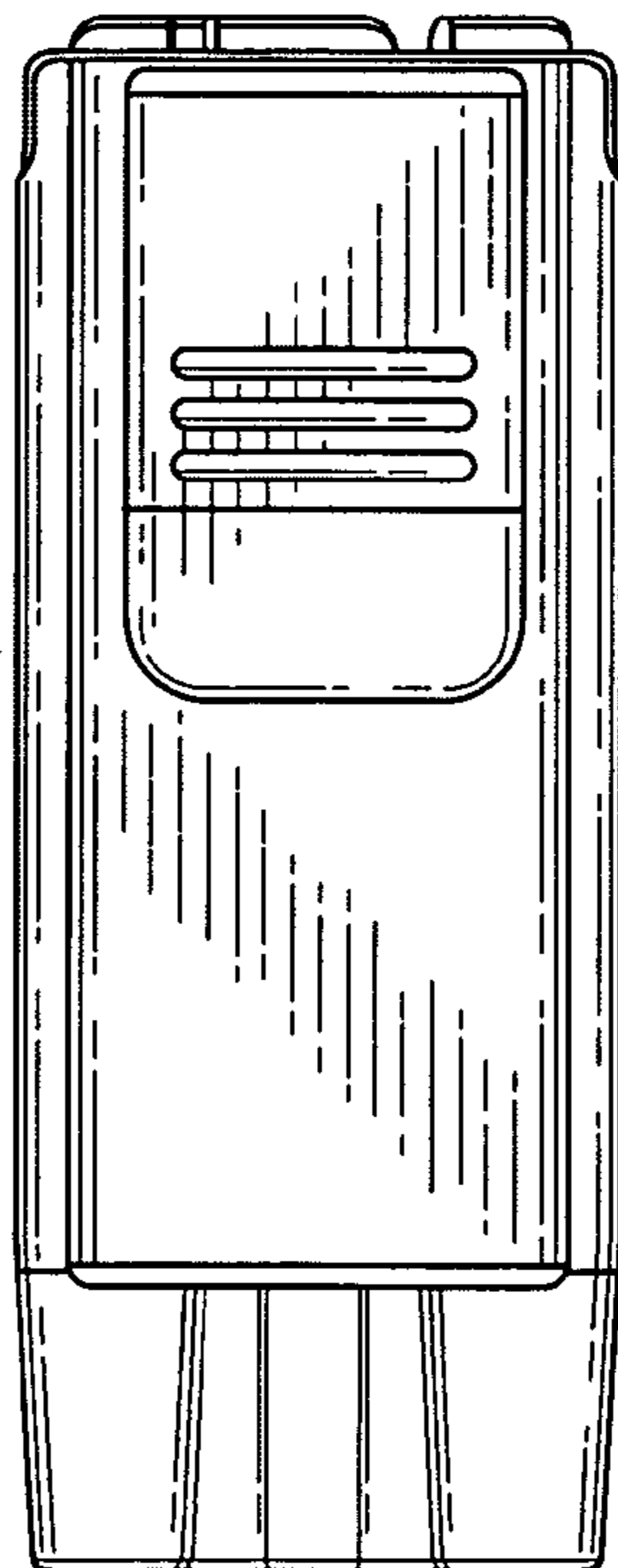
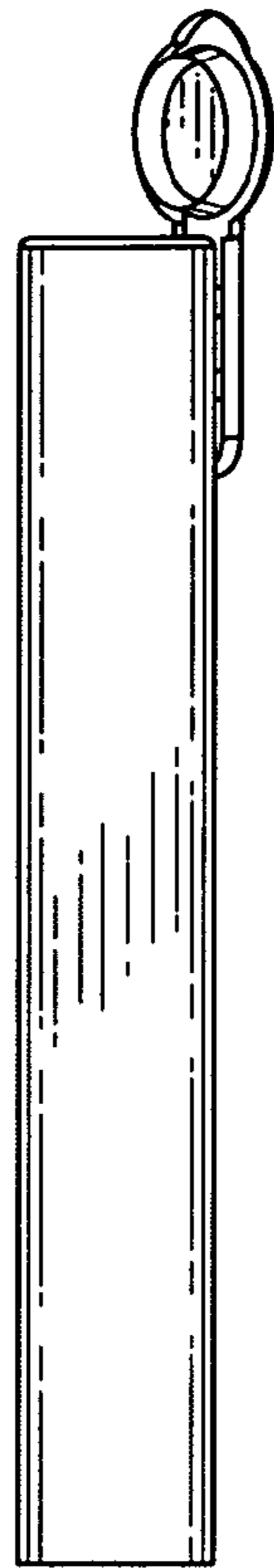


FIG. 5

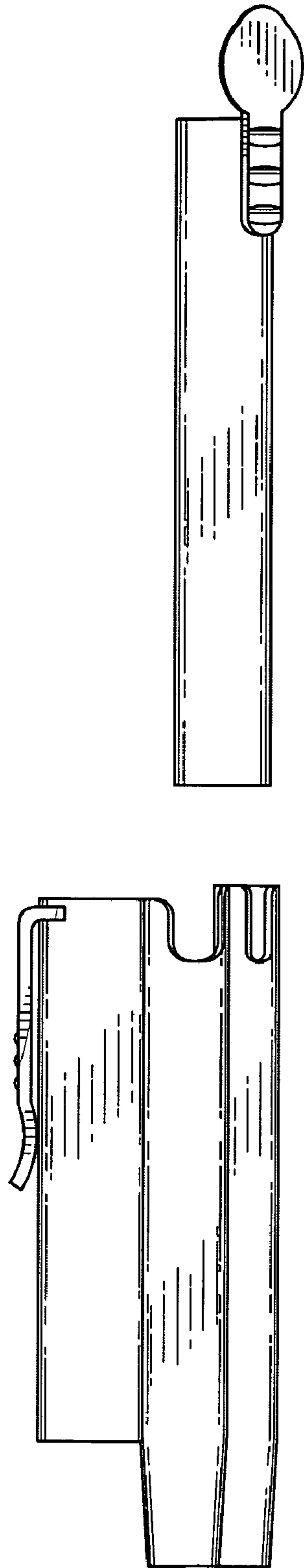


FIG. 6

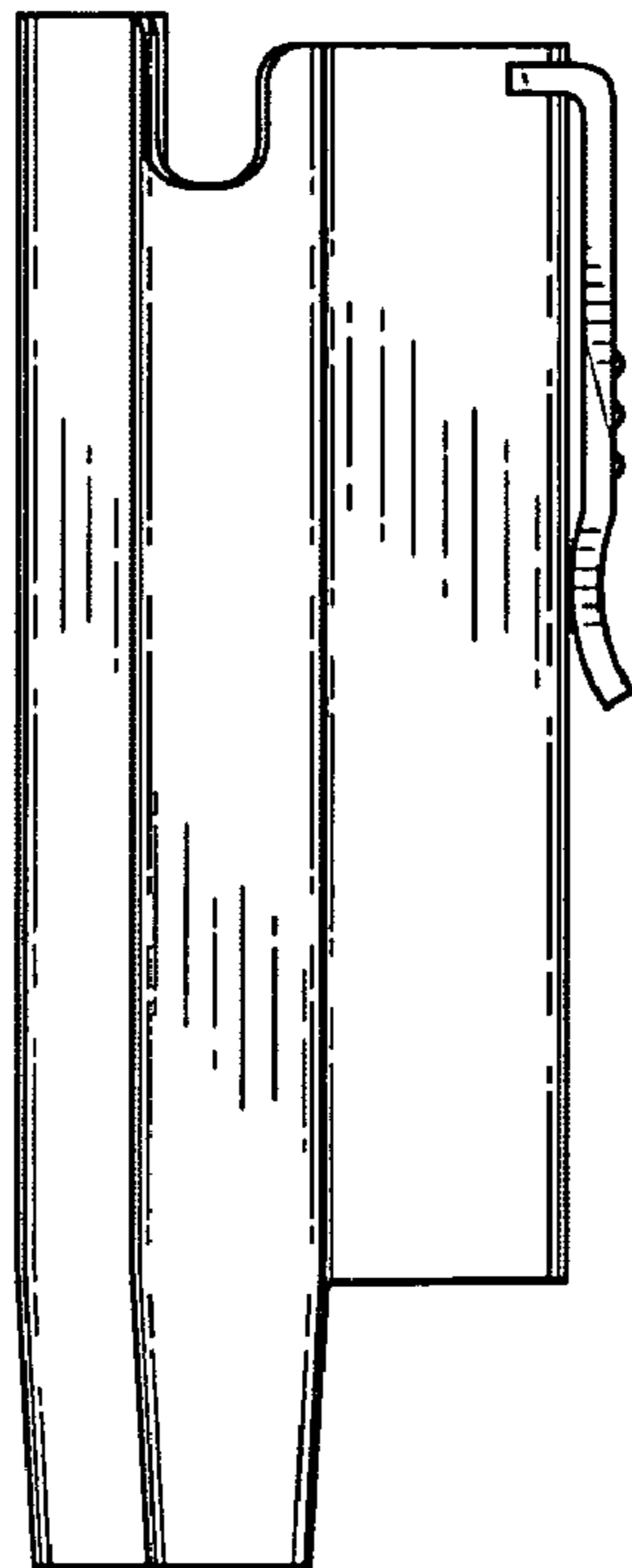
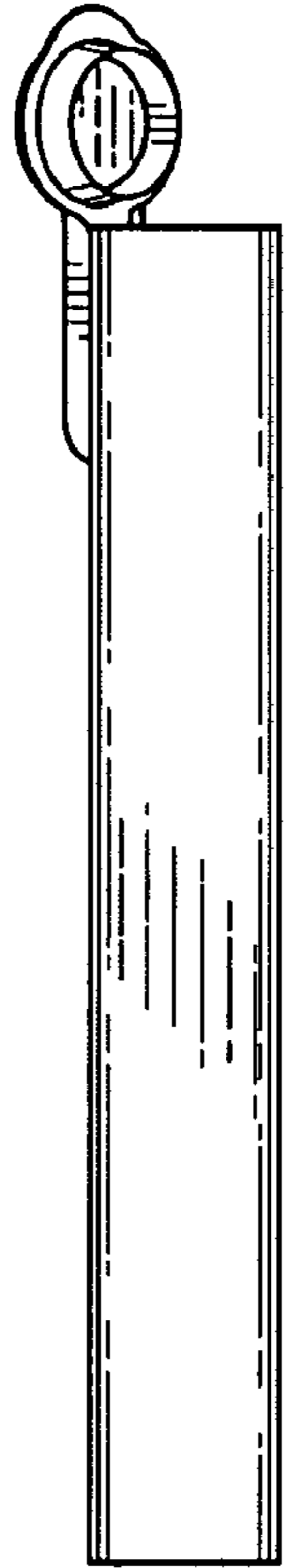


FIG. 7



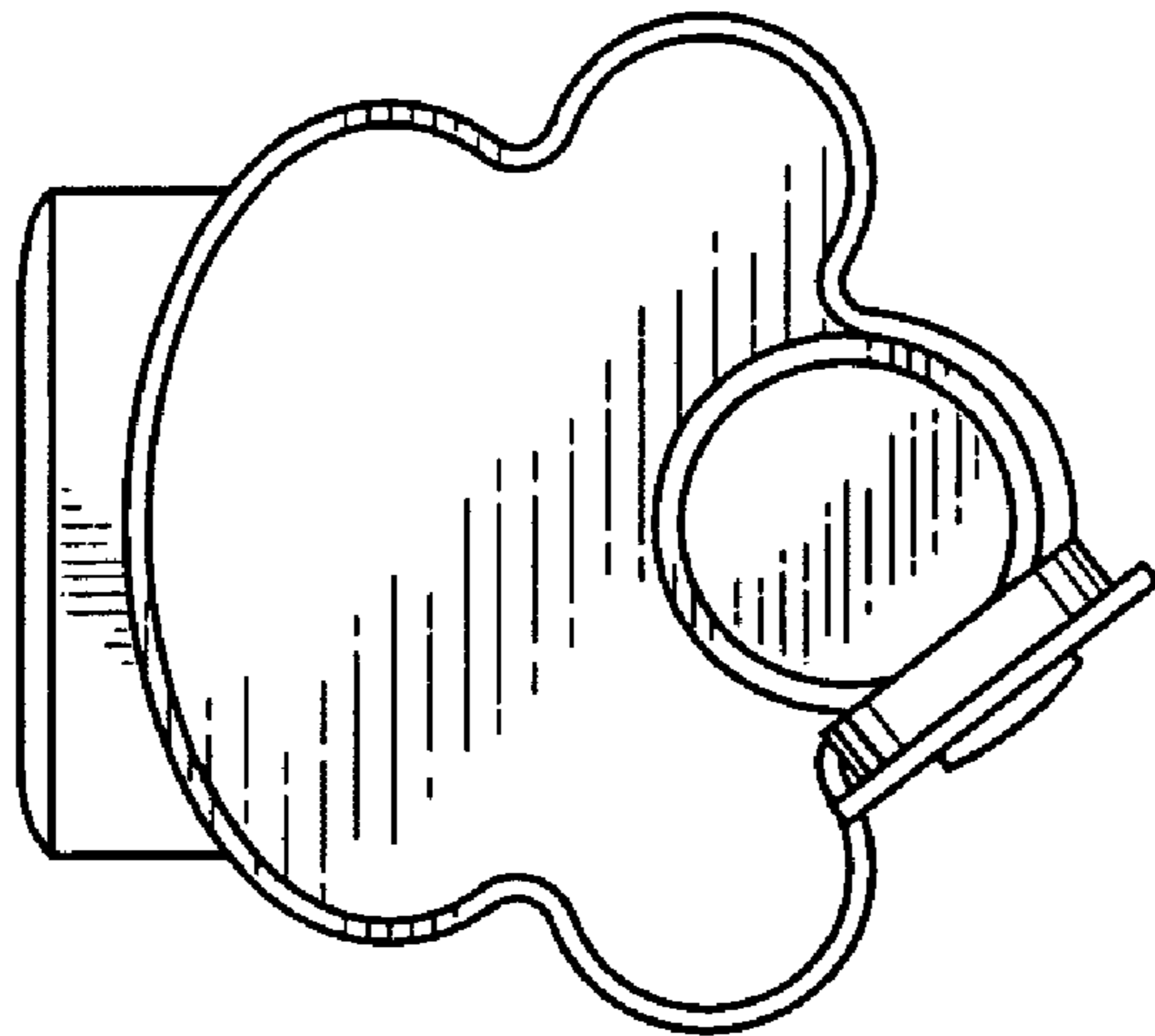


FIG. 8

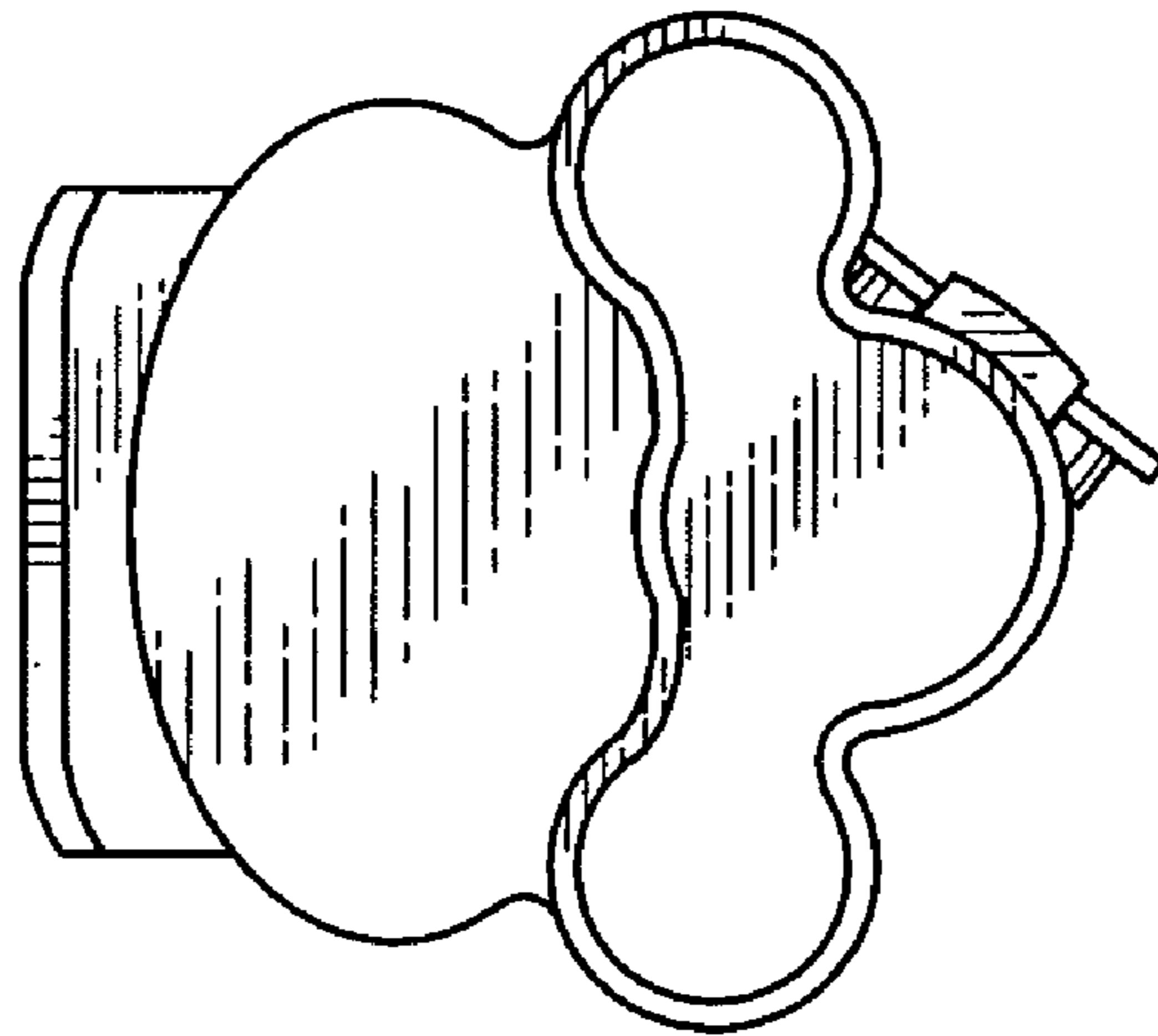


FIG. 9

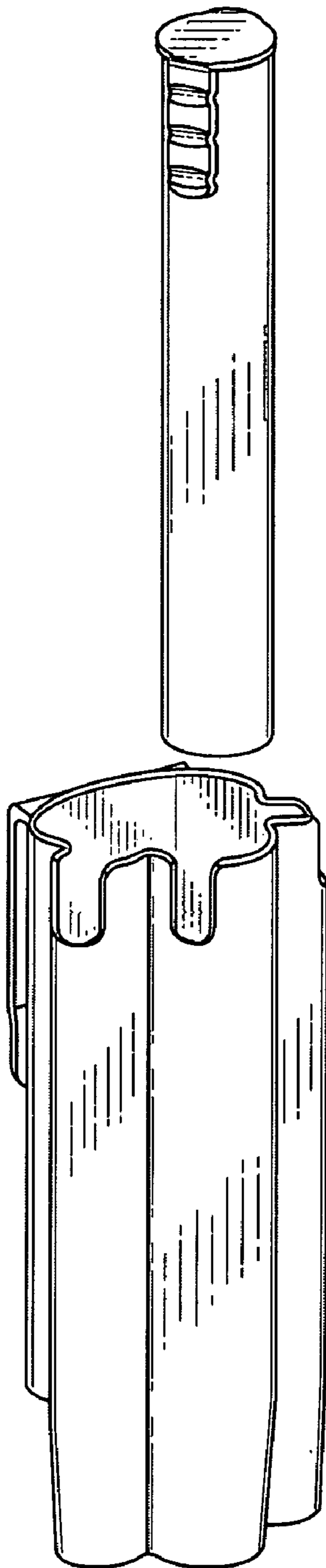


FIG. 10

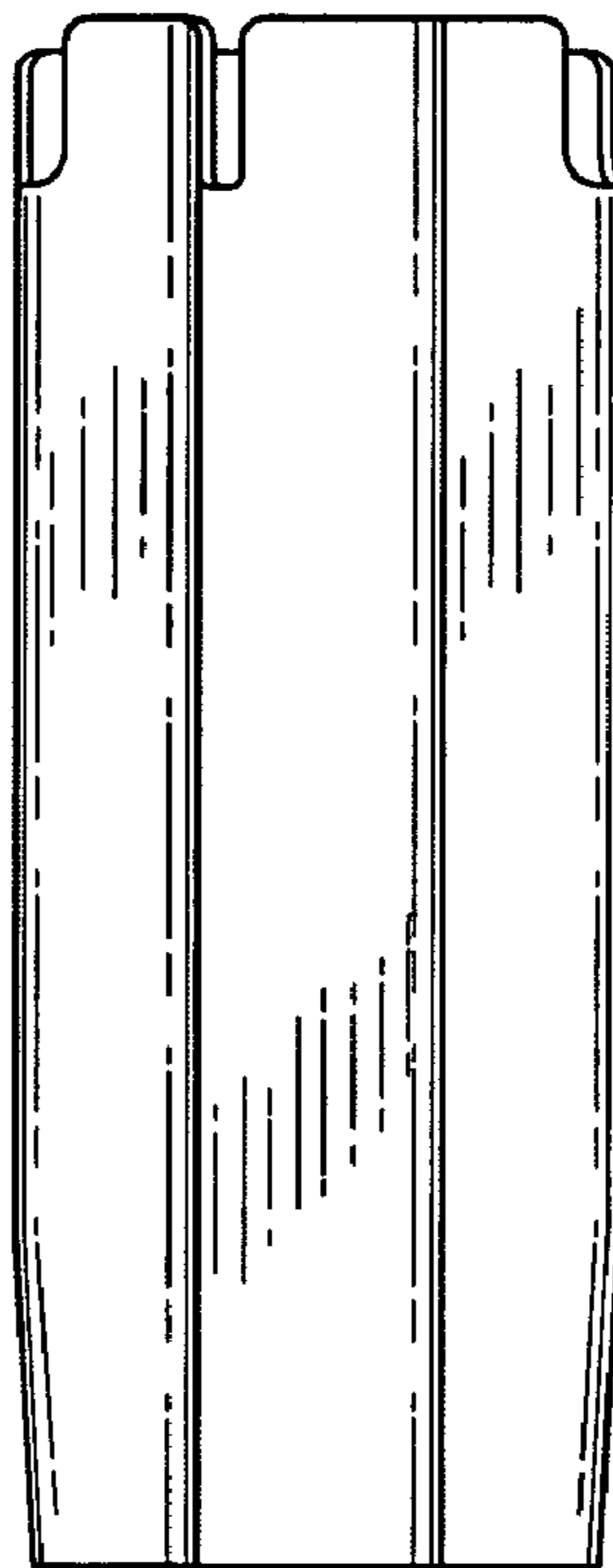
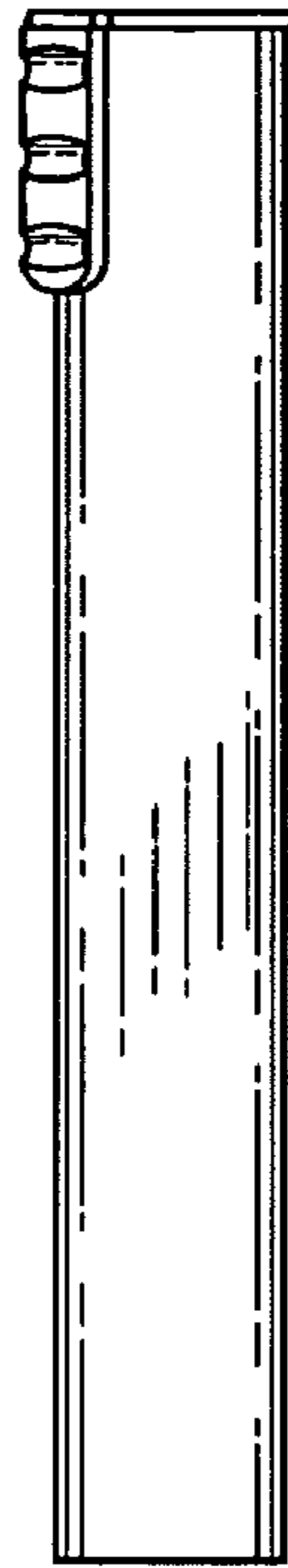


FIG. 11

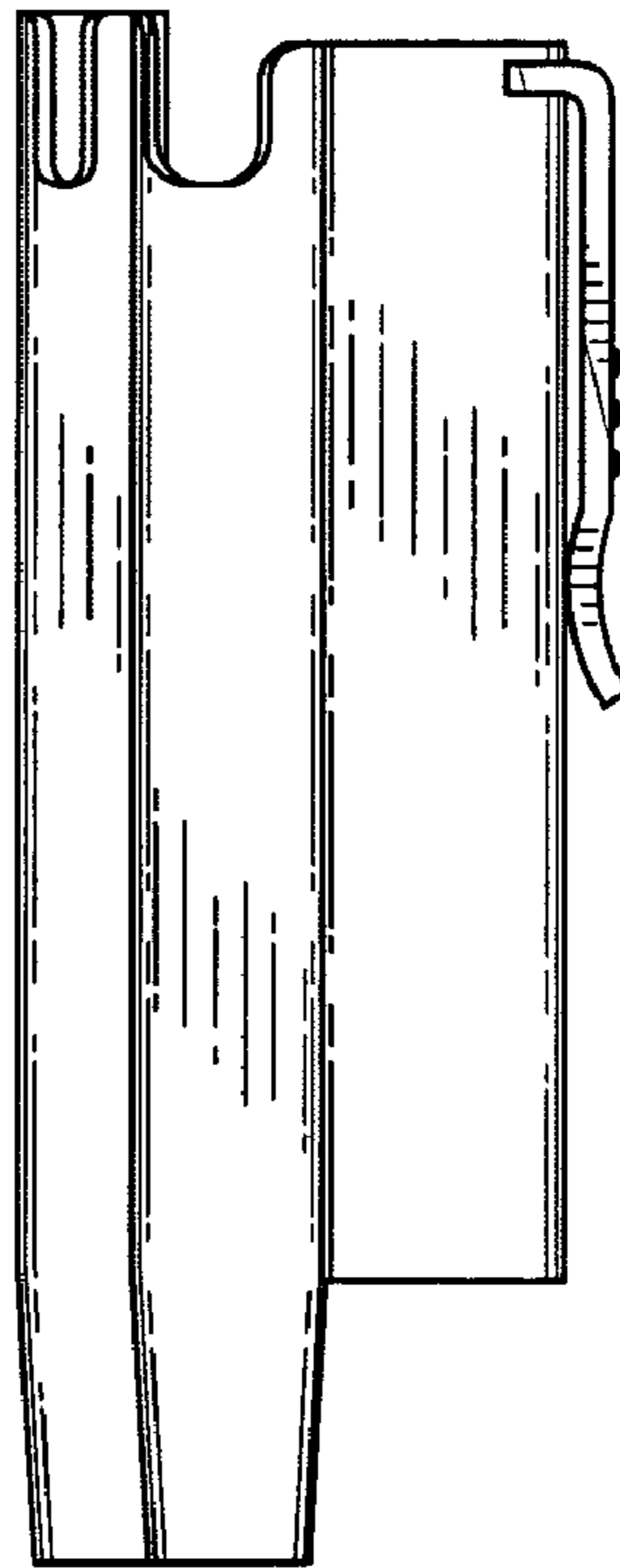
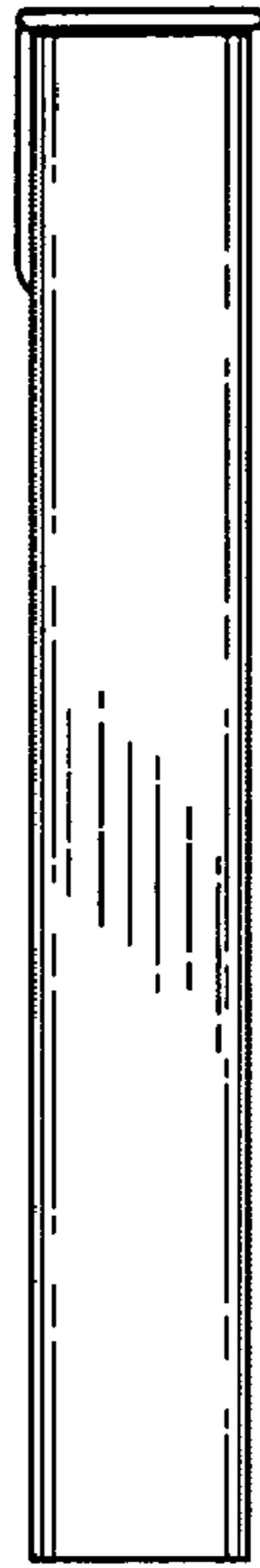


FIG. 12

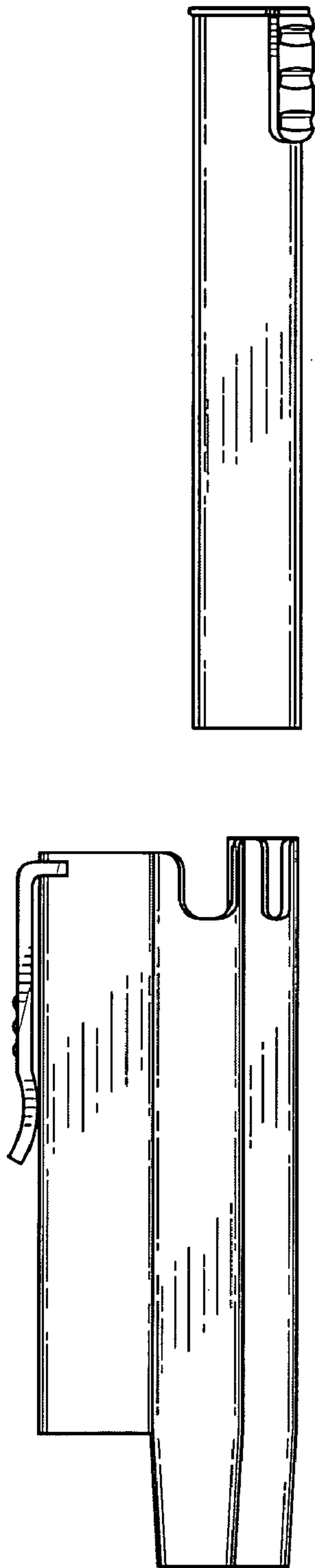


FIG. 13

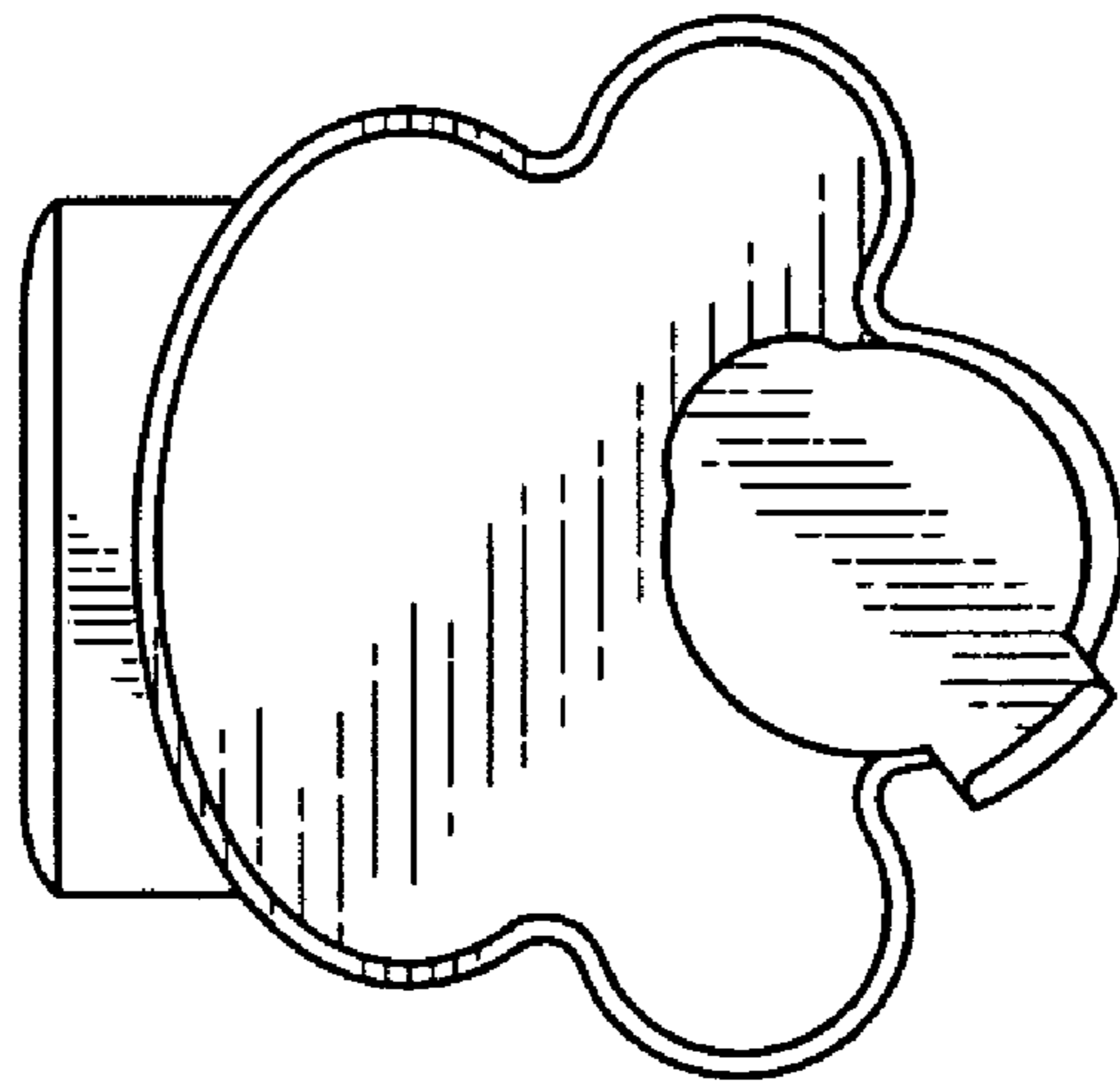


FIG. 14

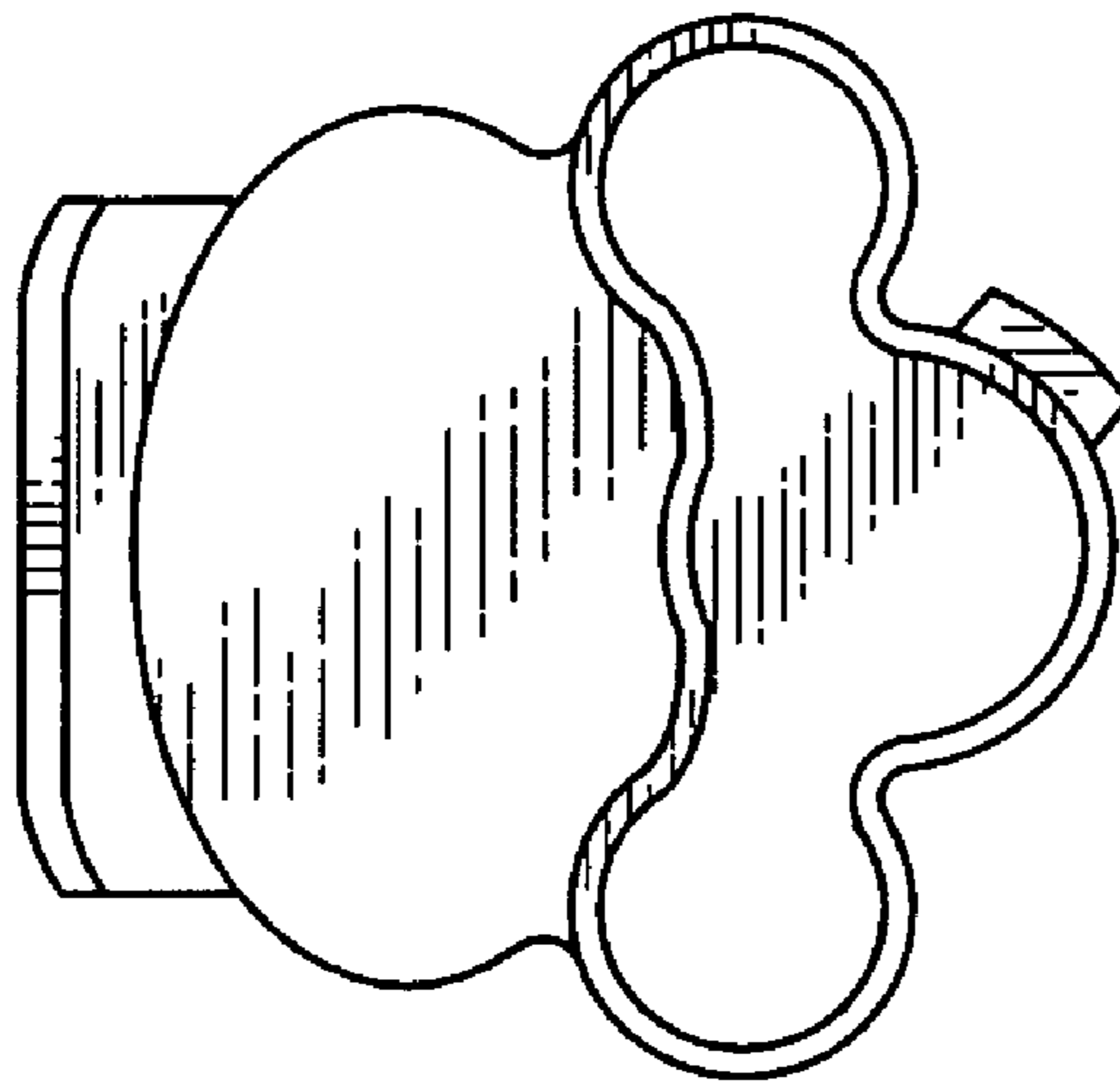


FIG. 15